



US00D741216S

(12) **United States Design Patent**
Peterson et al.

(10) **Patent No.:** **US D741,216 S**
(45) **Date of Patent:** **** Oct. 20, 2015**

(54) **PLANT TOWER**

(71) Applicant: **Jack Steve Peterson**, Knoxville, TN
(US)

(72) Inventors: **Jack Steve Peterson**, Knoxville, TN
(US); **Ryan M. Peterson**, Knoxville, TN
(US)

(**) Term: **14 Years**

(21) Appl. No.: **29/511,058**

(22) Filed: **Dec. 5, 2014**

Related U.S. Application Data

(62) Division of application No. 14/319,404, filed on Jun. 30, 2014.

(51) **LOC (10) Cl.** **11-02**

(52) **U.S. Cl.**
USPC **D11/143**

(58) **Field of Classification Search**
USPC D6/403, 404, 405, 556, 557, 558,
D6/682.1; D11/143-156, 164
CPC A01G 5/04; A01G 9/02; A01G 9/022;
A01G 9/023; A01G 9/025; A01G 9/028;
A01G 9/10
See application file for complete search history.

(56) **References Cited**

U.S. PATENT DOCUMENTS

D46,645 S * 11/1914 Traylor D11/152
3,252,252 A * 5/1966 Muelberger, Jr. 47/82
D207,915 S * 6/1967 Zimmerman D11/152
3,686,791 A * 8/1972 Mills 47/83
D262,274 S * 12/1981 Lahr D11/152

4,614,056 A * 9/1986 Farkas 47/67
D295,842 S * 5/1988 Gay D11/152
4,779,378 A * 10/1988 Mason, Jr. 47/83
D306,985 S * 4/1990 Mason, Jr. D11/143
D309,878 S * 8/1990 Mason, Jr. D11/143
D445,062 S * 7/2001 Wong D11/147
D453,488 S * 2/2002 McCauley D11/152
6,612,073 B1 * 9/2003 Powell et al. 47/83
D493,384 S * 7/2004 Jensen D11/143
7,043,877 B1 * 5/2006 Jensen 47/83
7,690,151 B2 * 4/2010 Wilkes 47/82
D653,156 S * 1/2012 Phelps et al. D11/143
D689,792 S * 9/2013 Xing D11/143
8,776,433 B2 * 7/2014 Huang et al. 47/82

* cited by examiner

Primary Examiner — Elizabeth Albert

(74) *Attorney, Agent, or Firm* — Stephen J. Stark

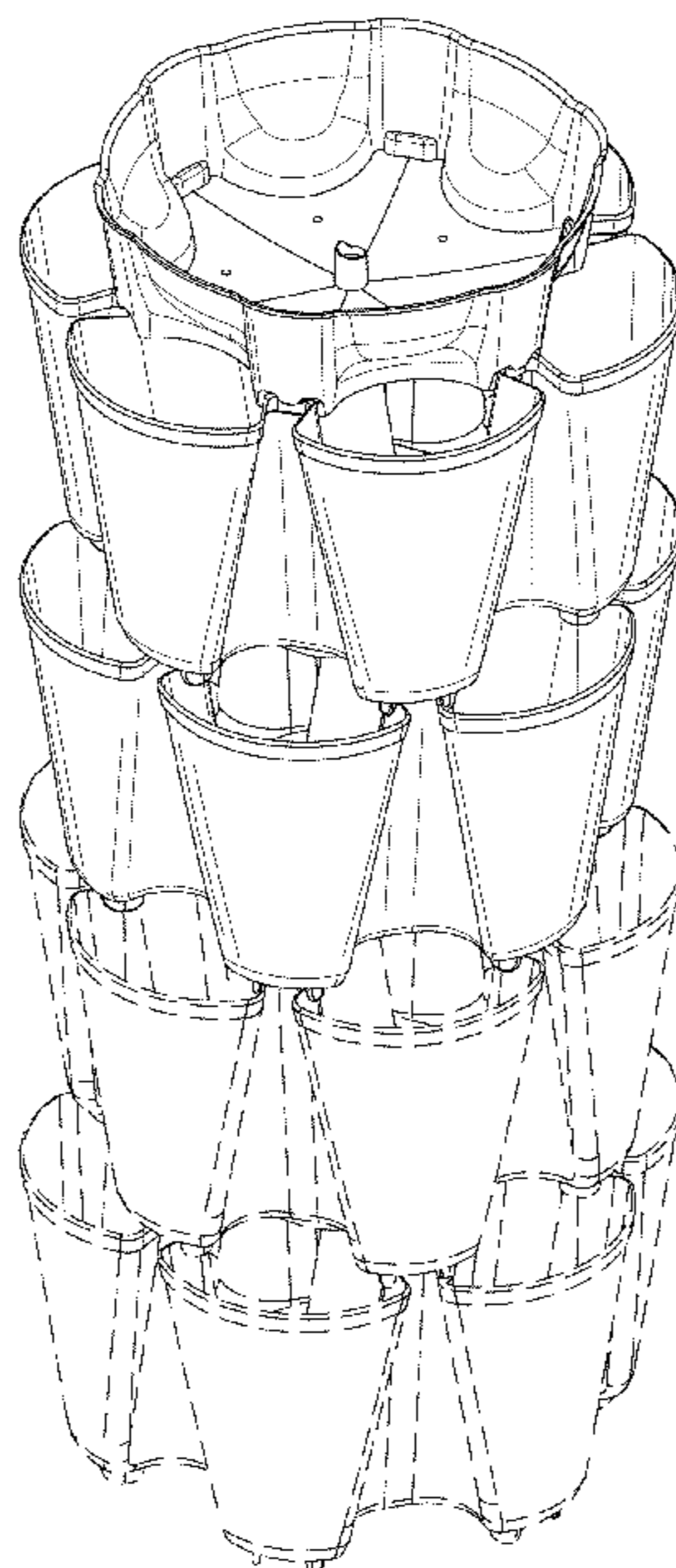
(57) **CLAIM**

I claim the ornamental design for a plant tower, as shown and described.

DESCRIPTION

FIG. 1 is a perspective view of the design of the present invention for a plant tower;
FIG. 2 is a front elevation view of the plant tower of FIG. 1 with the rear elevation view being the same;
FIG. 3 is a left side elevation view of the plant tower of FIG. 1 with the right side elevation view being the same;
FIG. 4 is a top end view of the plant tower of FIG. 1;
FIG. 5 is a bottom end view of the plant tower of FIG. 1; and,
FIG. 6 is an exploded view of the plant tower of FIG. 1.
The broken lines in FIGS. 1 and 5 are included for the purpose of showing portions of the plant tower that form no part of the claimed design.

1 Claim, 4 Drawing Sheets



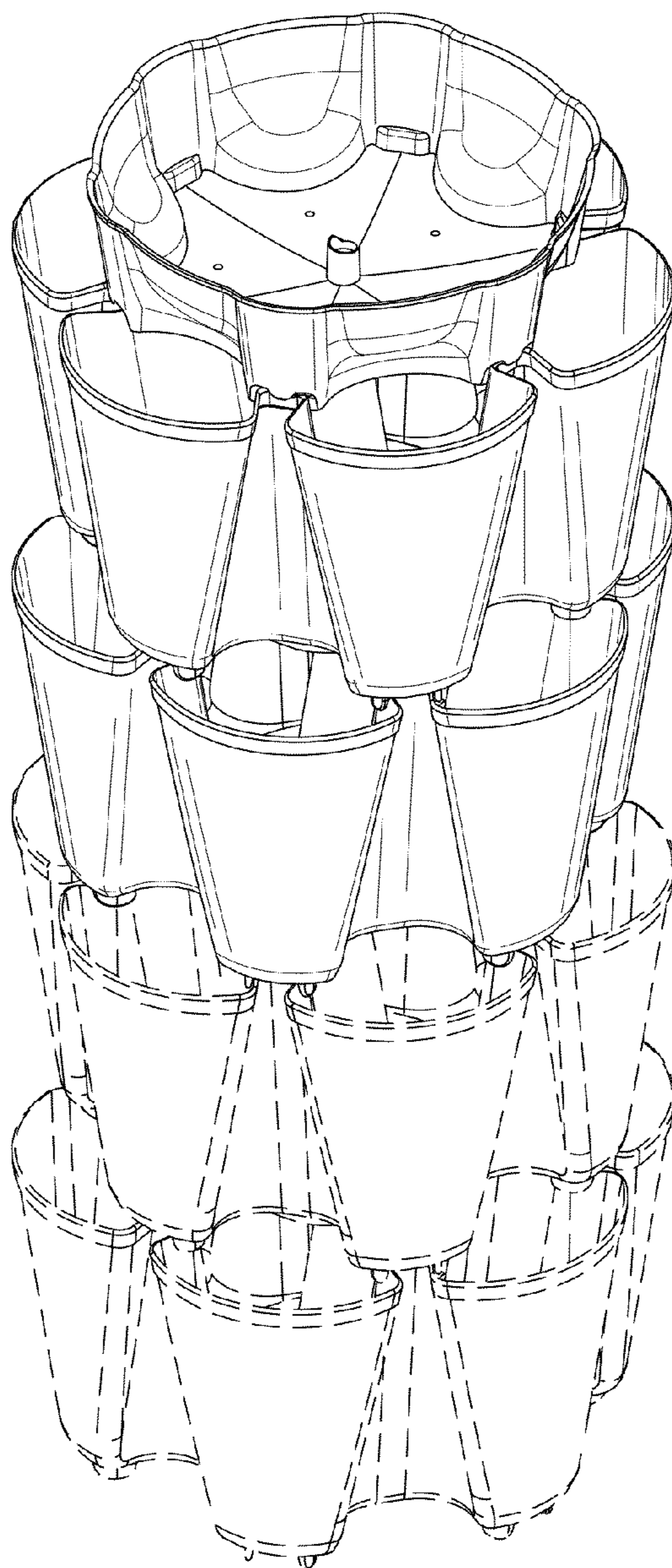


Fig. 1

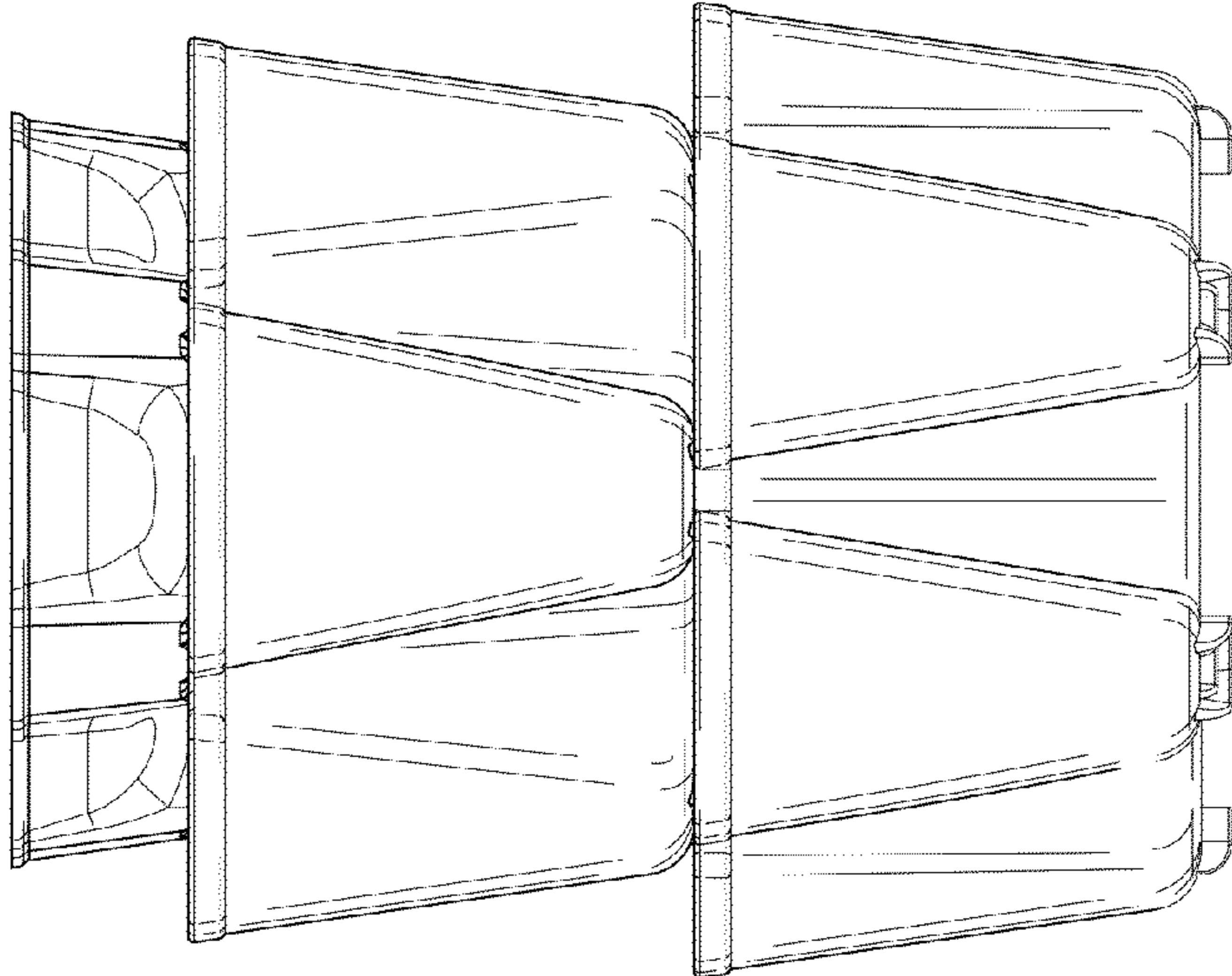


Fig. 3

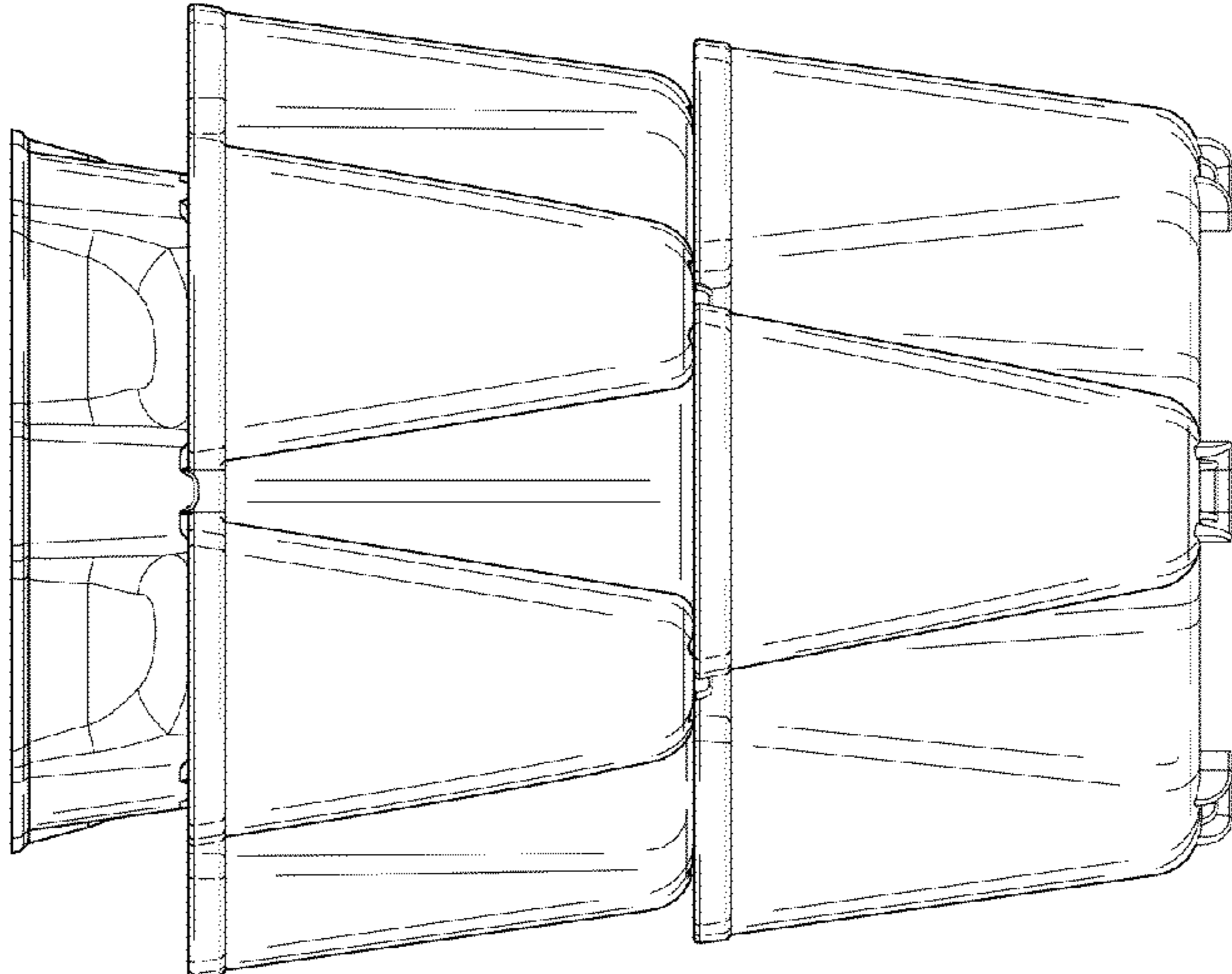


Fig. 2

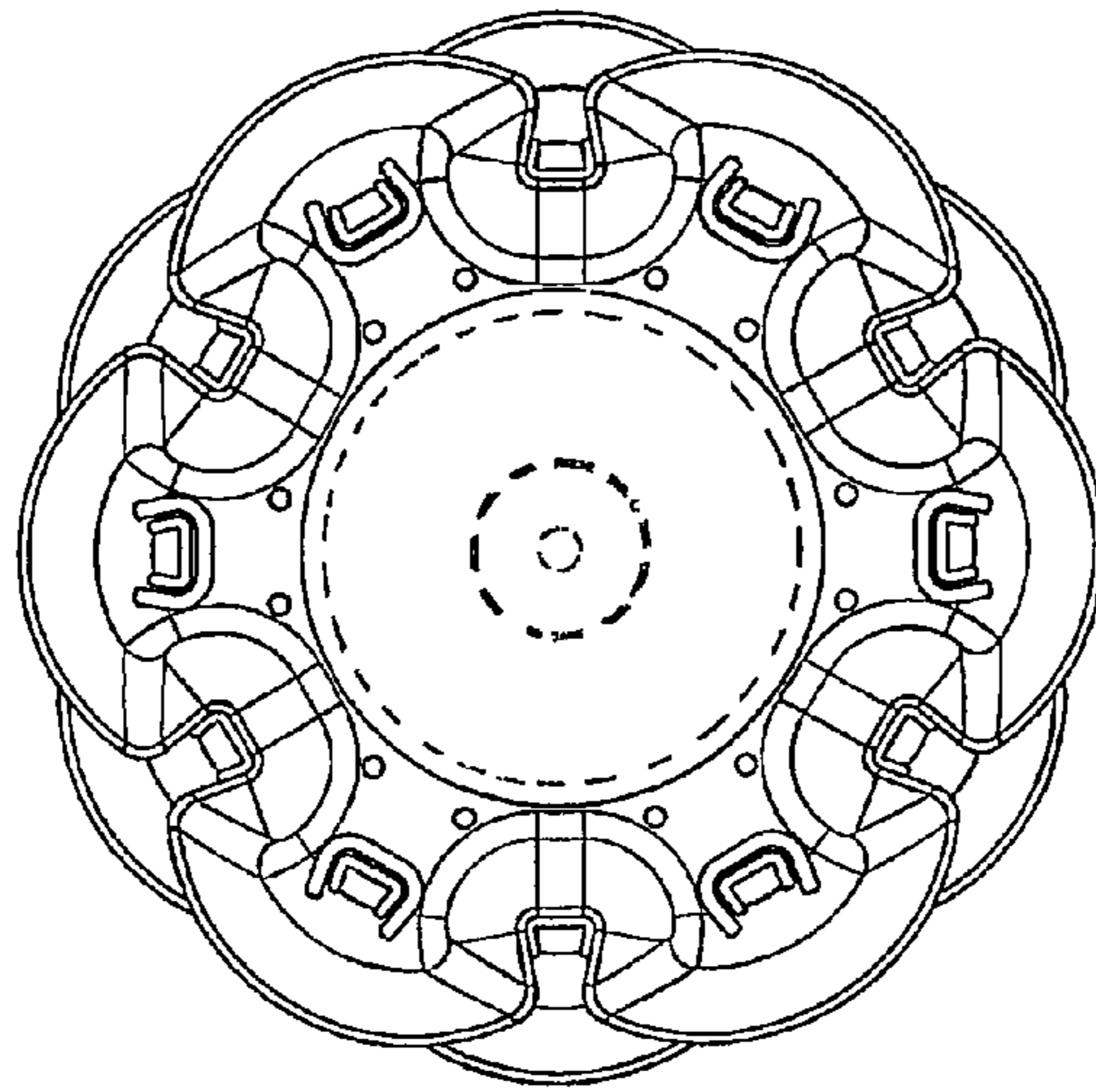


Fig. 5

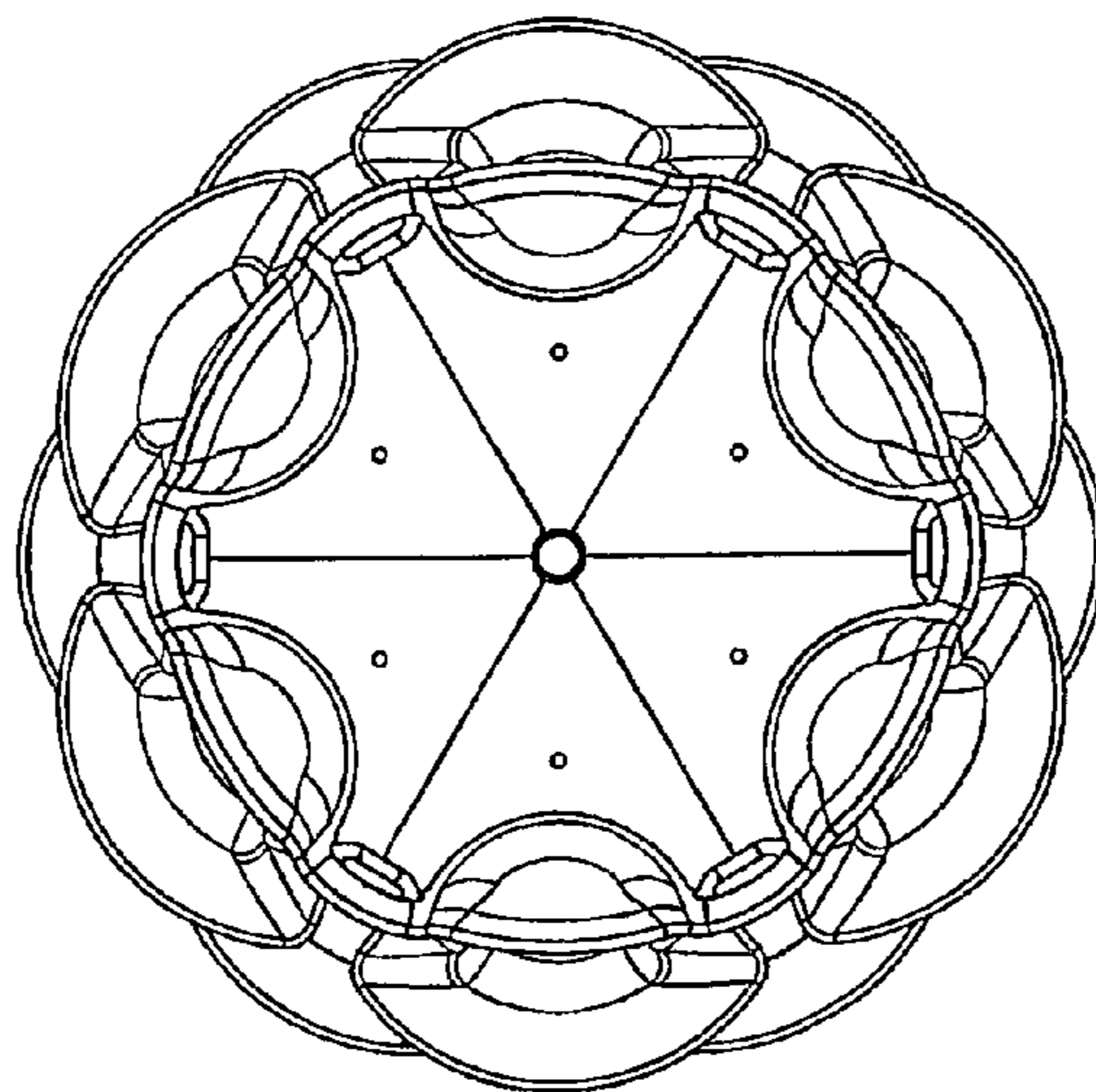


Fig. 4

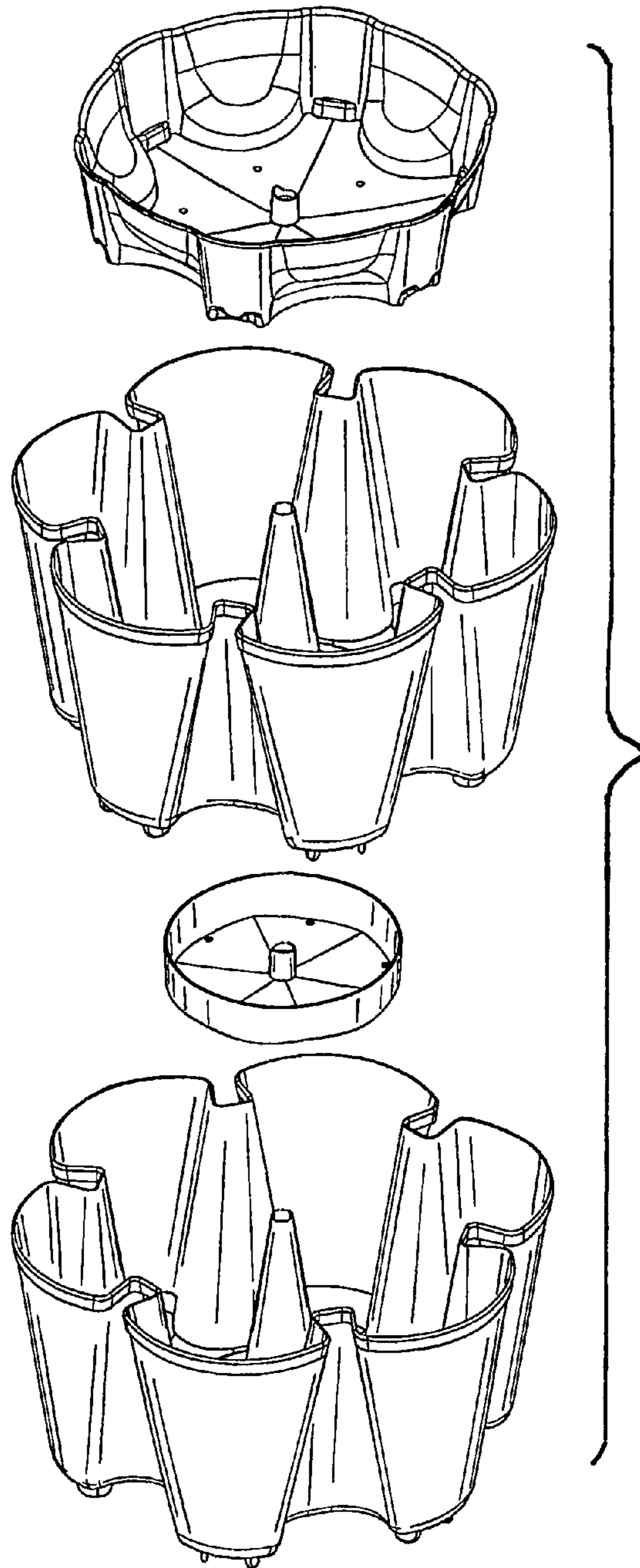


Fig.6