



US00D741213S

(12) **United States Design Patent**
Moreau et al.

(10) **Patent No.:** **US D741,213 S**
(45) **Date of Patent:** **** Oct. 20, 2015**

(54) **LANYARD SLIDER WITH HOLDERS FOR WRITING IMPLEMENTS**

(71) Applicant: **Ty-Flot, Inc.**, Manchester, NH (US)

(72) Inventors: **Darrell A. Moreau**, Manchester, NH (US); **Andre W. Moreau**, Spring Hill, FL (US)

(73) Assignee: **TY-FLOT, INC.**, Manchester, NH (US)

(**) Term: **14 Years**

(21) Appl. No.: **29/502,346**

(22) Filed: **Sep. 15, 2014**

(51) **LOC (10) Cl.** **11-01**

(52) **U.S. Cl.**
USPC **D11/87**

(58) **Field of Classification Search**
USPC D11/1-2, 7, 40-44, 46-49, 53, 56, 57,
D11/59-61, 63, 65, 79-83, 86-87, 89-90,
D11/91-92, 99, 101, 106, 114-116,
D11/200-201; 63/18-20
CPC A44C 5/02-5/246
See application file for complete search history.

(56) **References Cited**

U.S. PATENT DOCUMENTS

| | | | | |
|-----------|------|---------|------------------|--------|
| 2,219,596 | A | 10/1940 | Lundquist et al. | |
| D256,560 | S * | 8/1980 | van Eyben | D10/30 |
| 5,178,354 | A | 1/1993 | Engvall | |
| 5,820,095 | A | 10/1998 | Stone | |
| D414,210 | S | 9/1999 | Davis | |
| 6,145,717 | A | 11/2000 | Rebeck | |
| 6,711,785 | B1 * | 3/2004 | Hicks et al. | 24/3.4 |
| D507,110 | S * | 7/2005 | Hicks et al. | D3/318 |

| | | | | |
|--------------|-----|---------|---------------|---------|
| D536,173 | S * | 2/2007 | Hicks et al. | D3/318 |
| 7,608,782 | B2 | 10/2009 | Hill | |
| D617,382 | S | 6/2010 | Guirlinger | |
| D630,127 | S * | 1/2011 | Johnson | D11/216 |
| D640,743 | S | 6/2011 | Guirlinger | |
| D641,414 | S | 7/2011 | Guirlinger | |
| D665,449 | S | 8/2012 | Guirlinger | |
| D676,734 | S * | 2/2013 | Moreau et al. | D8/356 |
| D679,175 | S * | 4/2013 | Moreau et al. | D8/383 |
| 2011/0180681 | A1 | 7/2011 | Guirlinger | |
| 2012/0085801 | A1 | 4/2012 | Padilla | |

* cited by examiner

Primary Examiner — Zenia Bennett

(74) *Attorney, Agent, or Firm* — Mesmer & Deleault PLLC

(57) **CLAIM**

The ornamental design for a lanyard slider with holders for writing implements, as shown and described.

DESCRIPTION

FIG. 1 is a left-side, top, and front perspective view of a lanyard slider with holders for writing implements showing our new design at an enlarged scale; FIG. 2 is a top plan view thereof; FIG. 3 is a bottom plan view thereof; FIG. 4 is a left-side elevational view thereof; FIG. 5 is a front elevational view thereof; FIG. 6 is a rear elevational view thereof; and, FIG. 7 is left, front, and top perspective view thereof showing the lanyard slider with holders for writing implements in use with a writing implement and a portion of a lanyard cord, where the objects shown in broken lines are shown for the purpose of illustrating environment and form no part of the claimed design.

1 Claim, 4 Drawing Sheets

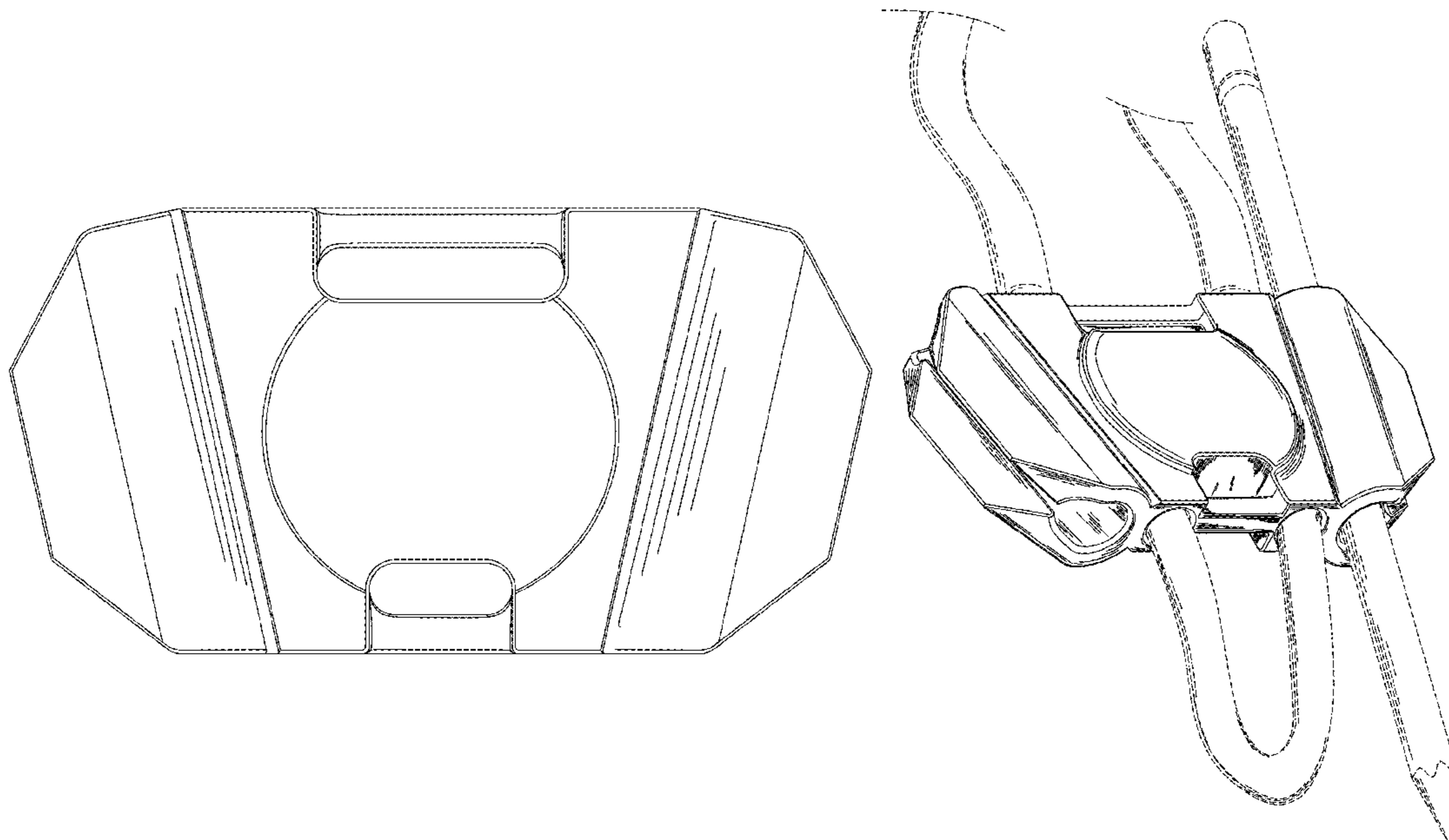


FIG. 1

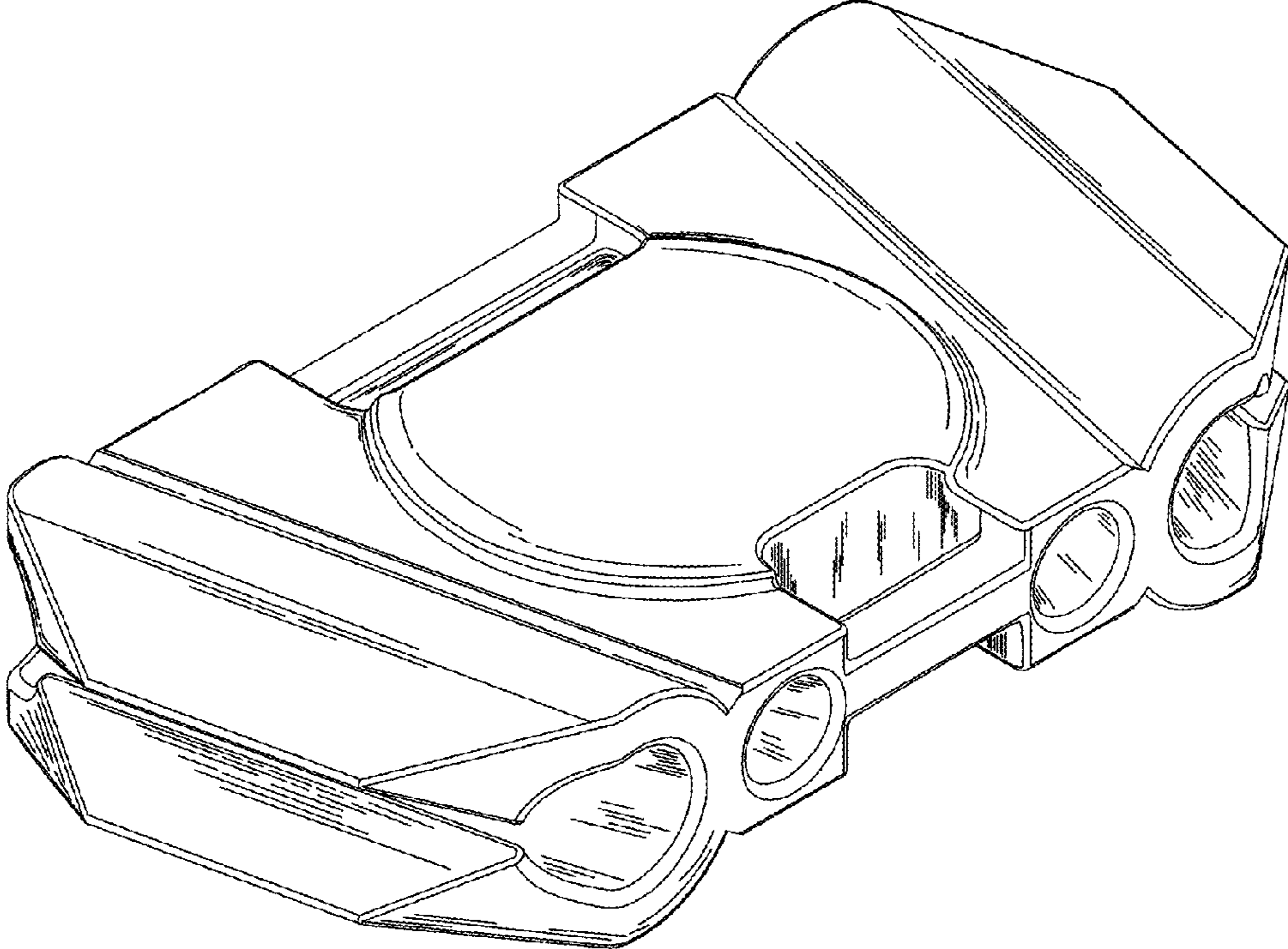


FIG. 2

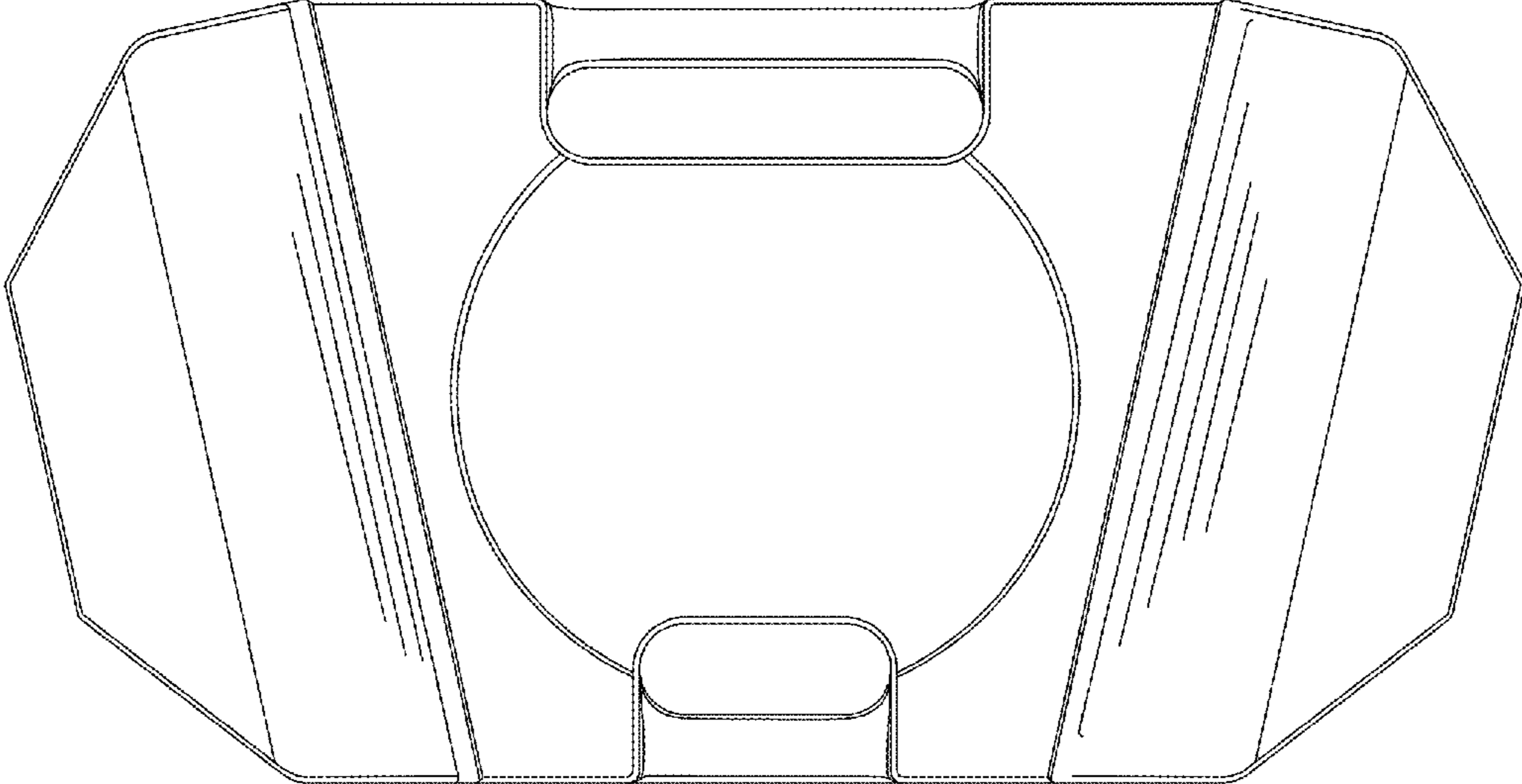


FIG. 3

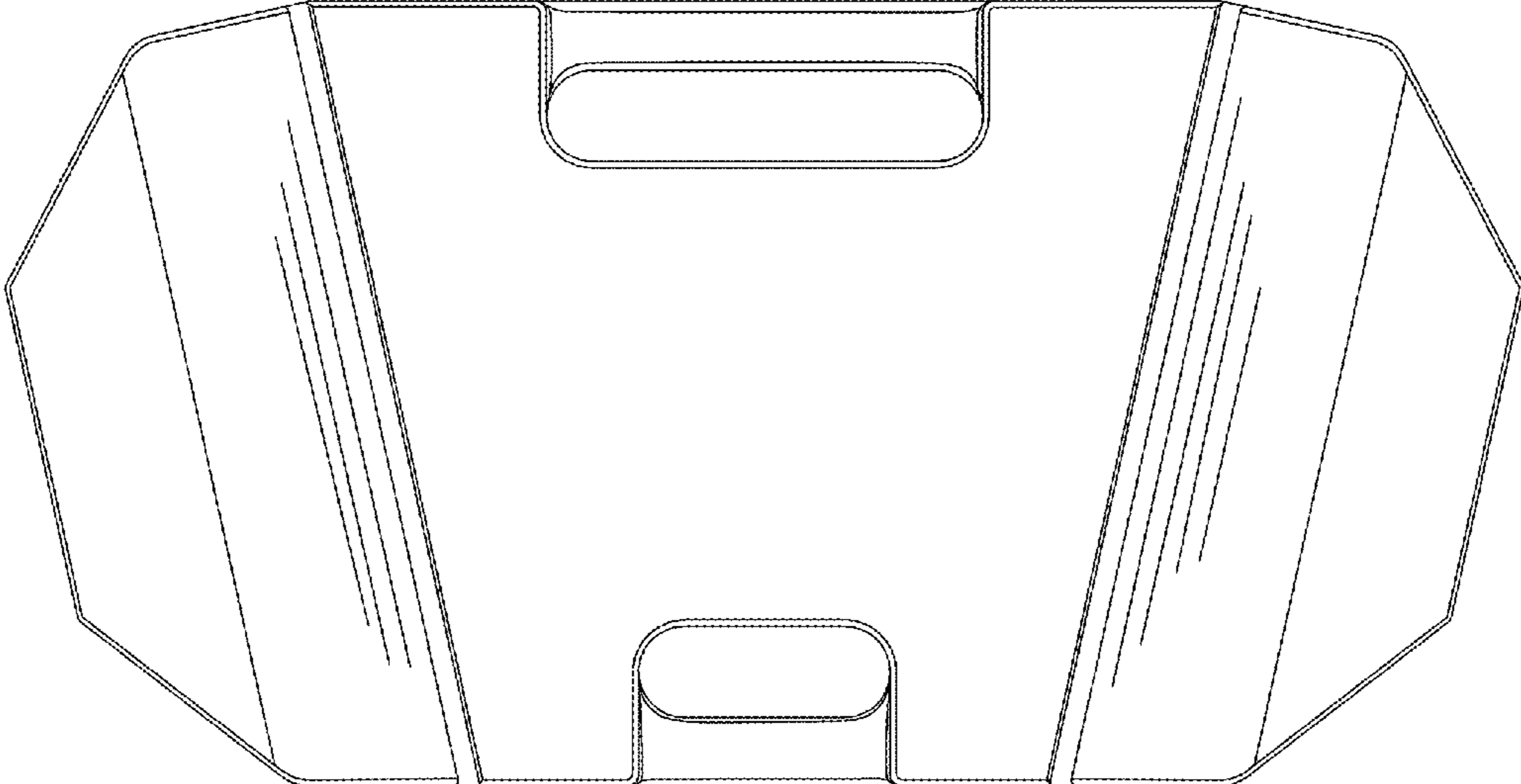


FIG. 4

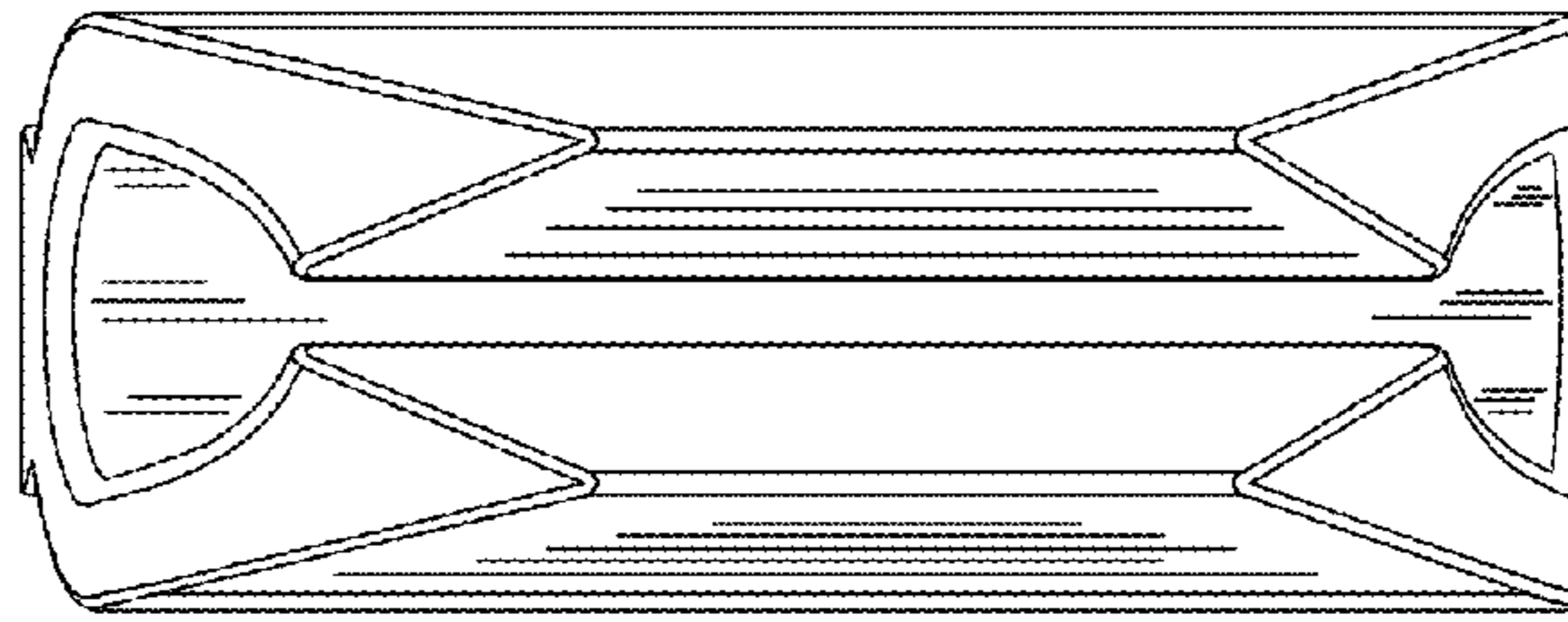


FIG. 5

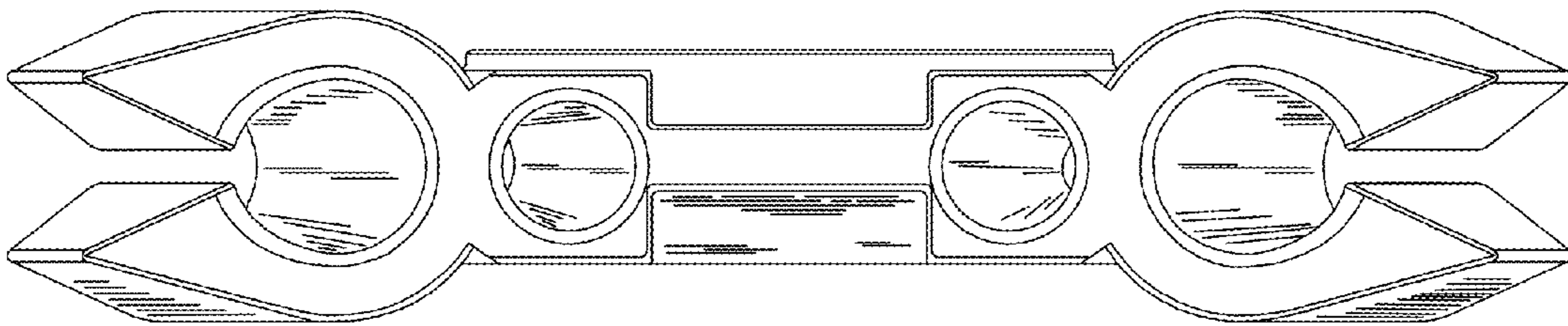


FIG. 6

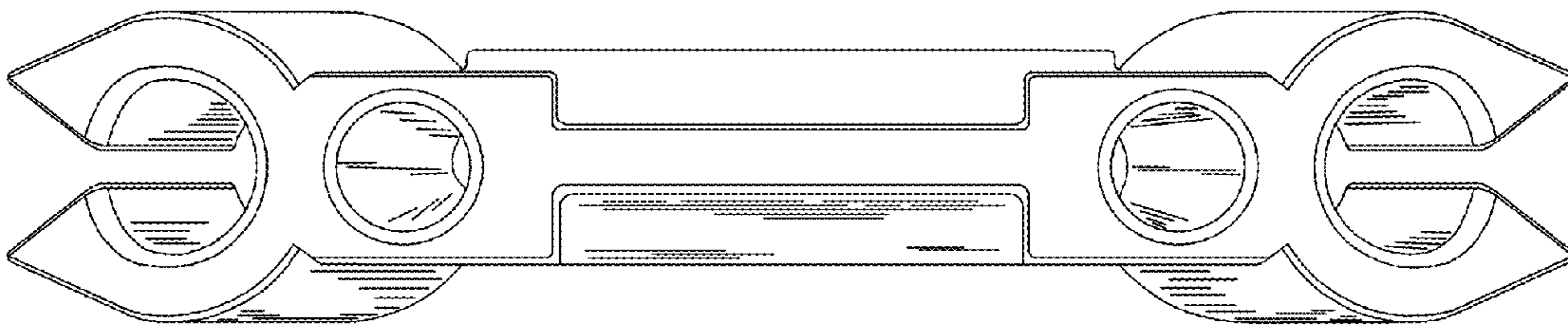


FIG. 7

