



US00D741210S

(12) **United States Design Patent**
Wagner

(10) **Patent No.:** **US D741,210 S**
(45) **Date of Patent:** **** Oct. 20, 2015**

- (54) **COMBINATION TURKEY CALL**
- (71) Applicant: **James Michael Wagner**, Rushville, IN (US)
- (72) Inventor: **James Michael Wagner**, Rushville, IN (US)
- (**) Term: **14 Years**
- (21) Appl. No.: **29/499,754**
- (22) Filed: **Aug. 19, 2014**
- (51) **LOC (10) Cl.** **10-05**
- (52) **U.S. Cl.**
USPC **D10/119.1**
- (58) **Field of Classification Search**
USPC D10/119.1
CPC A01M 31/004
See application file for complete search history.

- D487,876 S * 3/2004 Atkinson D10/116.1
- D511,471 S * 11/2005 Cox D10/116.1
- D700,534 S * 3/2014 Horton D10/119.1

* cited by examiner

Primary Examiner — George D Kirschbaum
(74) *Attorney, Agent, or Firm* — Ariel S. Bentolila

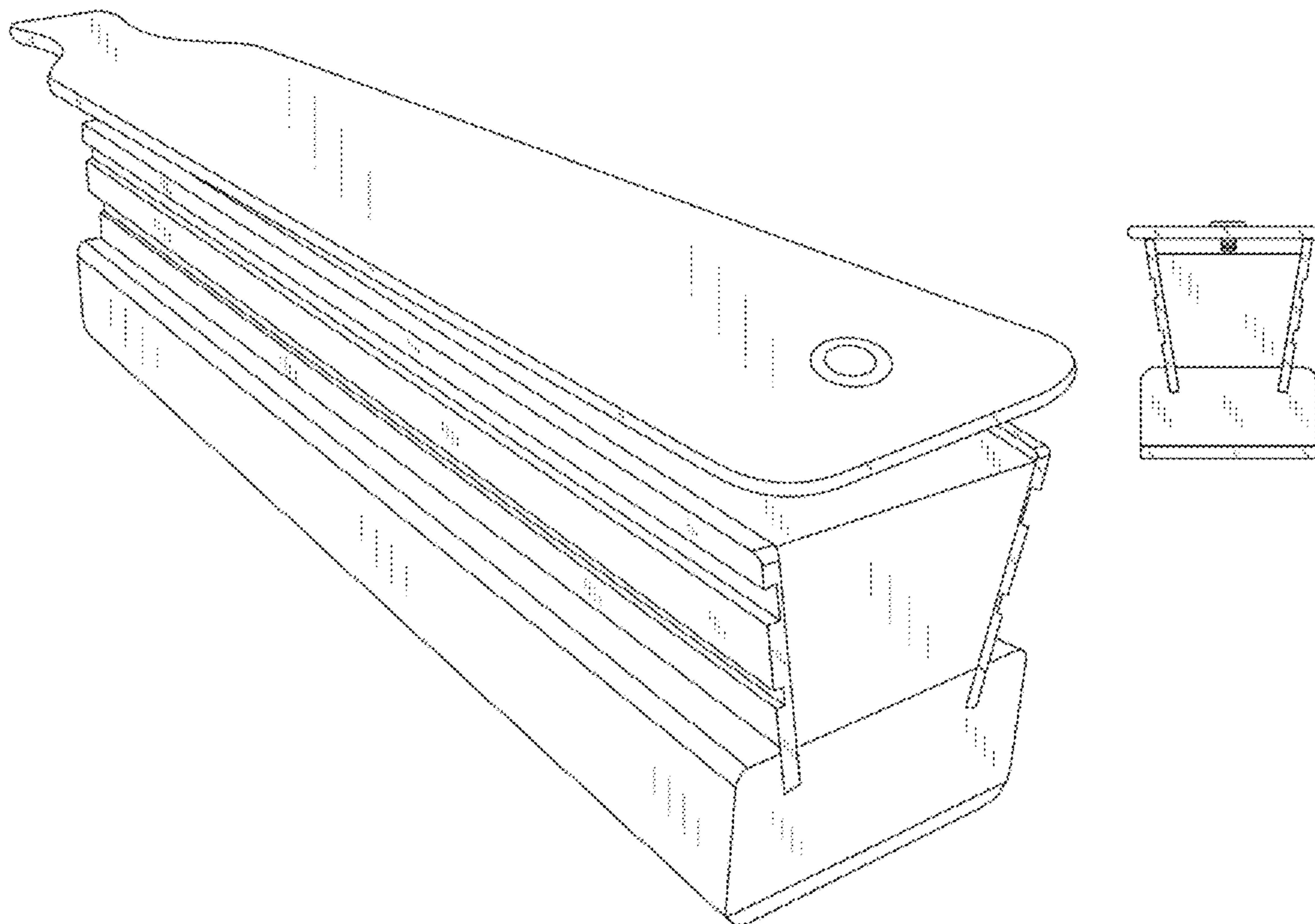
(57) **CLAIM**
The ornamental design for a combination turkey call, substantially as shown and described.

DESCRIPTION

FIG. 1 is a side perspective view of a combination turkey call in accordance with an embodiment of the present design; FIG. 2 is a front elevation view of the turkey call shown in FIG. 1; FIG. 3 is a back elevation view of the turkey call shown in FIG. 1; FIG. 4 is a right side elevation view of the turkey call shown in FIG. 1; FIG. 5 is a top plan view of the turkey call shown in FIG. 1; and, FIG. 6 is a bottom plan view of the turkey call shown in FIG. 1. The left side elevation view is not shown because it is a mirror view of the right side elevation view.

1 Claim, 3 Drawing Sheets

- (56) **References Cited**
U.S. PATENT DOCUMENTS
- D231,927 S * 6/1974 Shoemaker D10/119.2
- 4,941,858 A 7/1990 Adams
- D360,160 S * 7/1995 Morningstar D10/119.2
- 5,921,842 A 7/1999 Allenby
- D415,054 S * 10/1999 Foster et al. D10/119.1
- D417,166 S * 11/1999 DeGroot D10/119.1
- D472,176 S * 3/2003 Atkinson D10/119.1



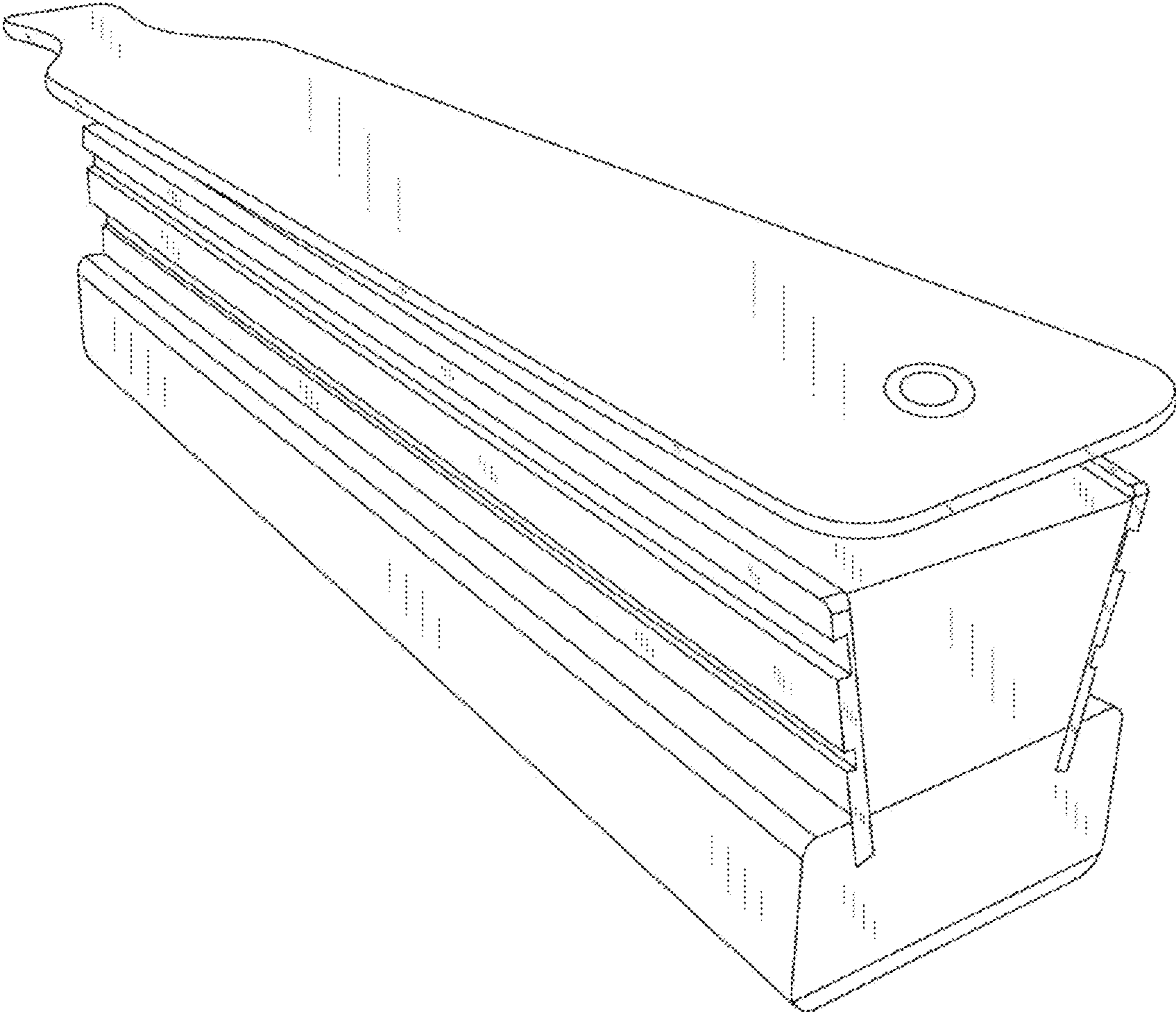


FIG. 1

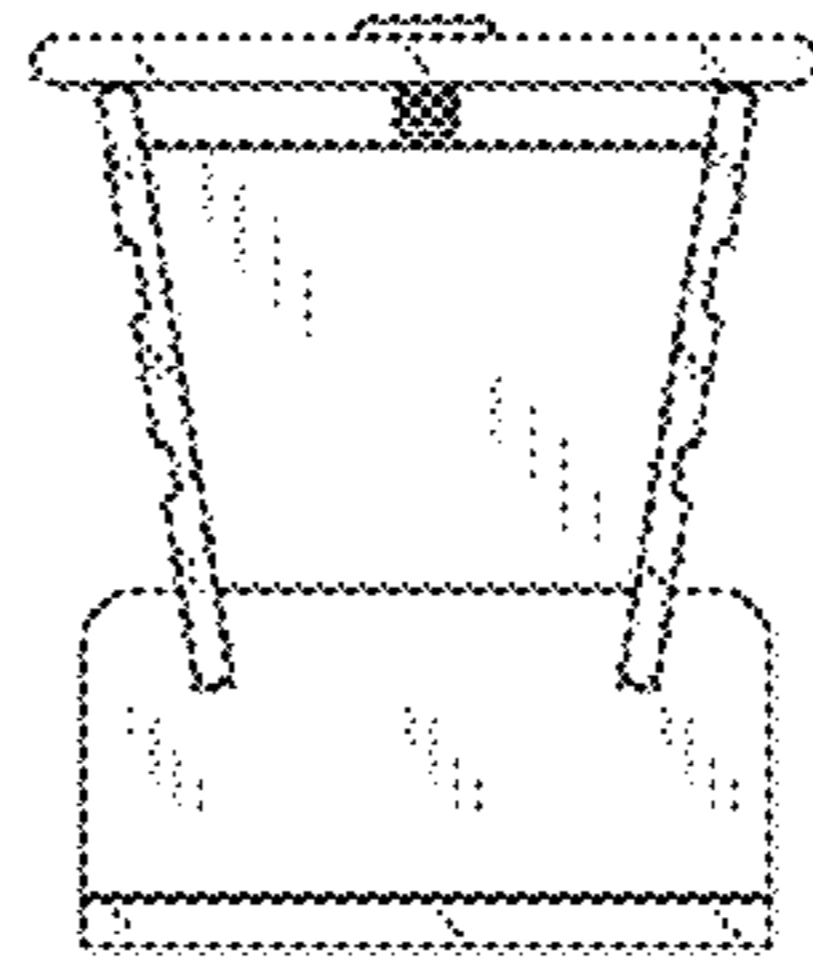


FIG. 2

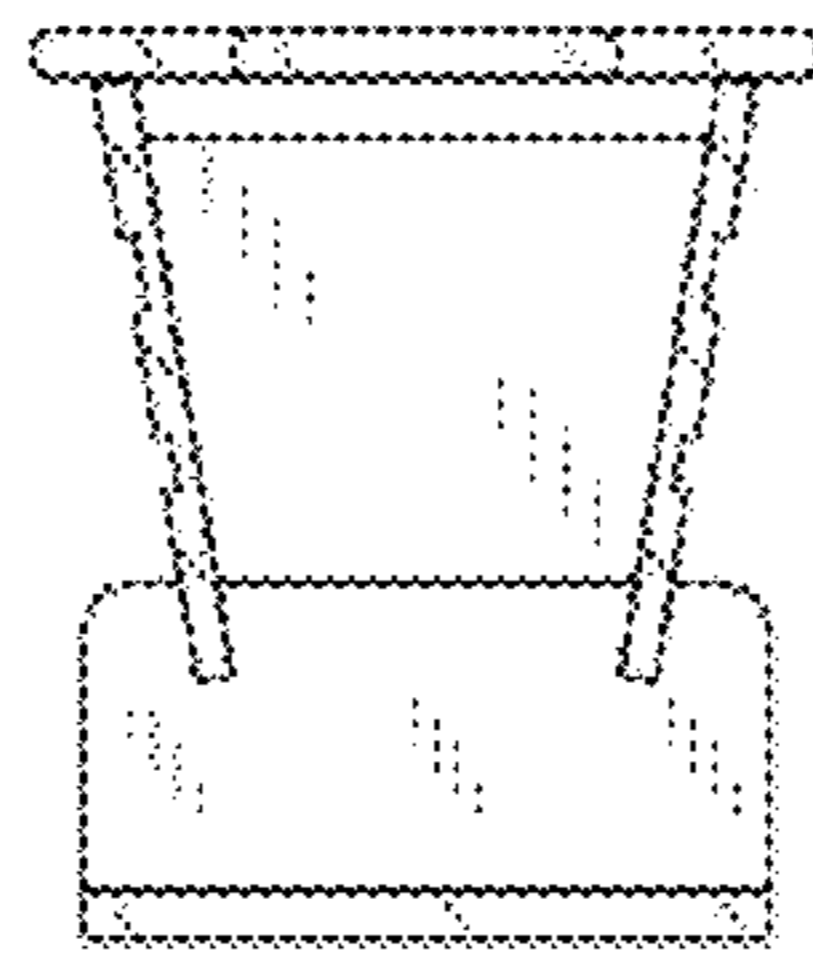


FIG. 3

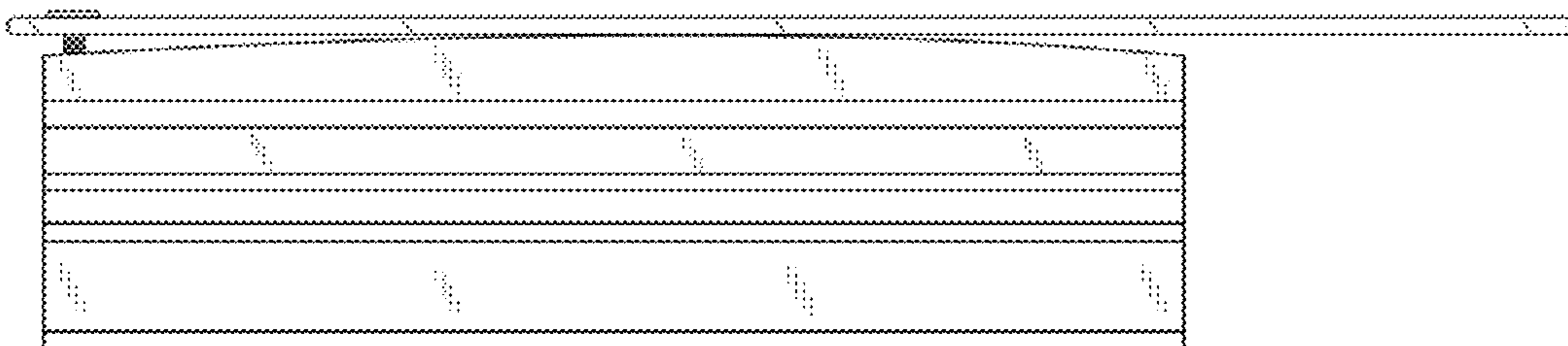


FIG. 4

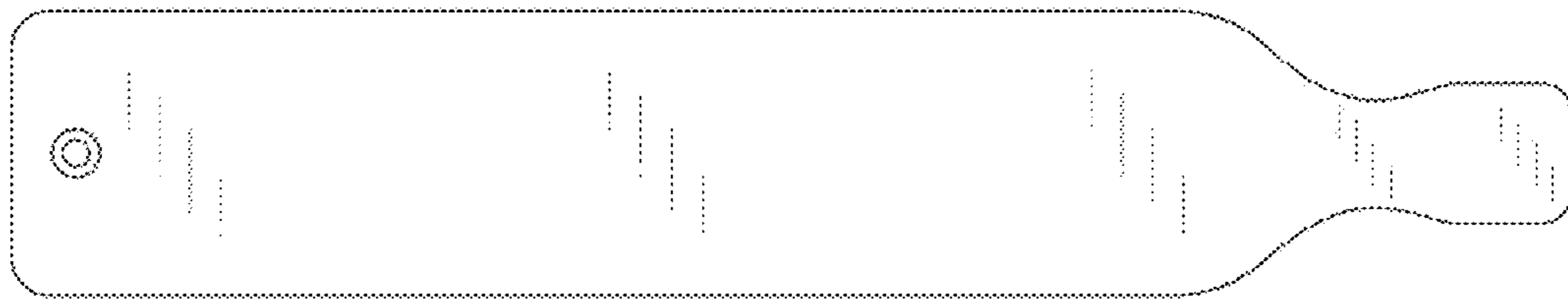


FIG. 5

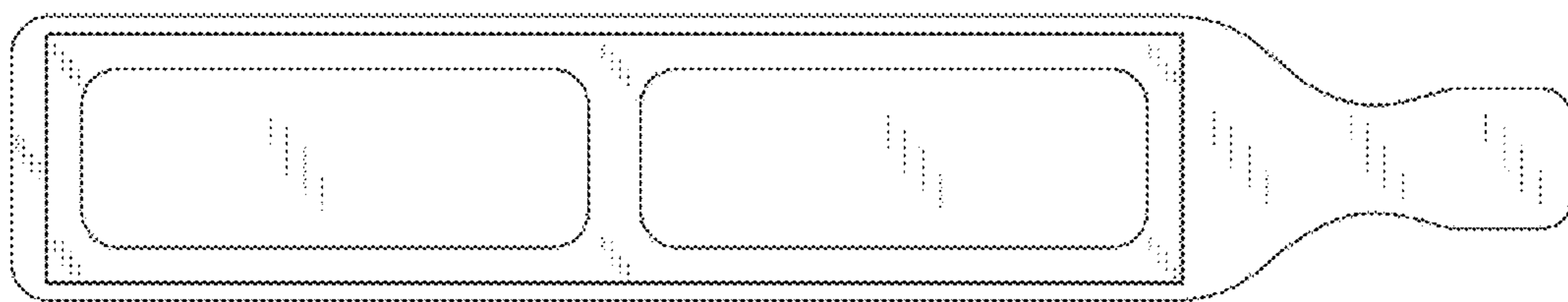


FIG. 6