



US00D741209S

(12) **United States Design Patent**
Nishigaki

(10) **Patent No.:** **US D741,209 S**

(45) **Date of Patent:** **** Oct. 20, 2015**

(54) **WARNING LIGHT WITH SPEAKER**

D602,391 S * 10/2009 Stein D10/114.4
D632,199 S * 2/2011 Jacobs et al. D10/114.4

(71) Applicant: **Nagoya Electric Works, Co., LTD.**,
Aichi (JP)

* cited by examiner

(72) Inventor: **Makoto Nishigaki**, Aichi (JP)

Primary Examiner — George D Kirschbaum

(74) *Attorney, Agent, or Firm* — Osha Liang LLP

(73) Assignee: **Nagoya Electric Works Co., LTD.**,
Aichi (JP)

(57) **CLAIM**

An ornamental design for a warning light with speaker, as shown and described.

(**) Term: **14 Years**

DESCRIPTION

(21) Appl. No.: **29/491,385**

FIG. 1 is a front side view of the design according to the invention.

(22) Filed: **May 20, 2014**

FIG. 2 is a back side view of the design according to the invention.

(51) **LOC (10) Cl.** **10-05**

FIG. 3 is a top view of the design according to the invention.

(52) **U.S. Cl.**

FIG. 4 is a bottom view of the design according to the invention.

USPC **D10/114.4**

(58) **Field of Classification Search**

FIG. 5 is a left side view of the design according to the invention.

USPC D10/114.4; D26/97, 91, 28, 37

FIG. 6 is a right side view of the design according to the invention.

CPC B60Q 1/2611

See application file for complete search history.

FIG. 7 is a top perspective view of the design according to the invention; and,

(56) **References Cited**

FIG. 8 is a bottom perspective view of the design according to the invention.

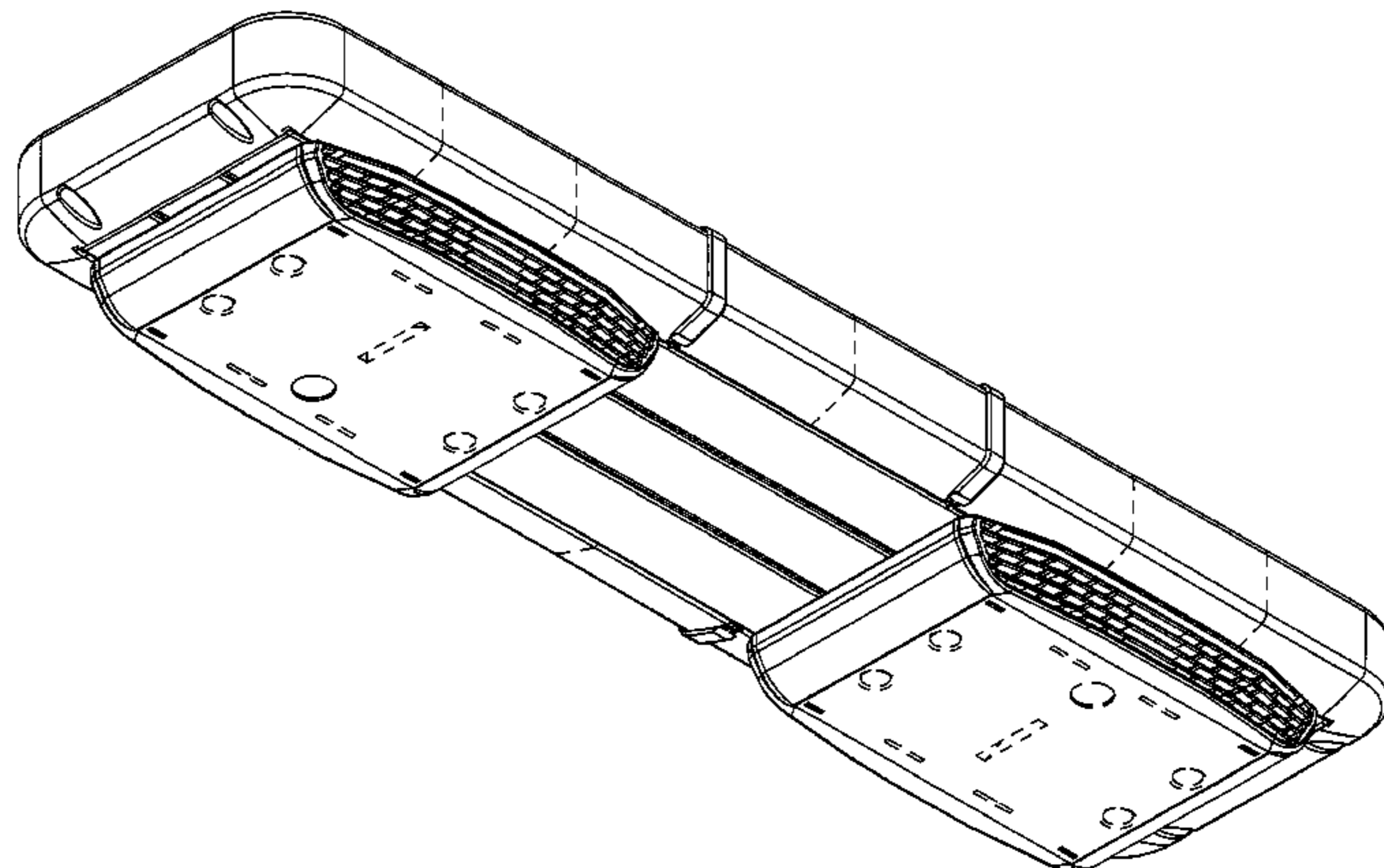
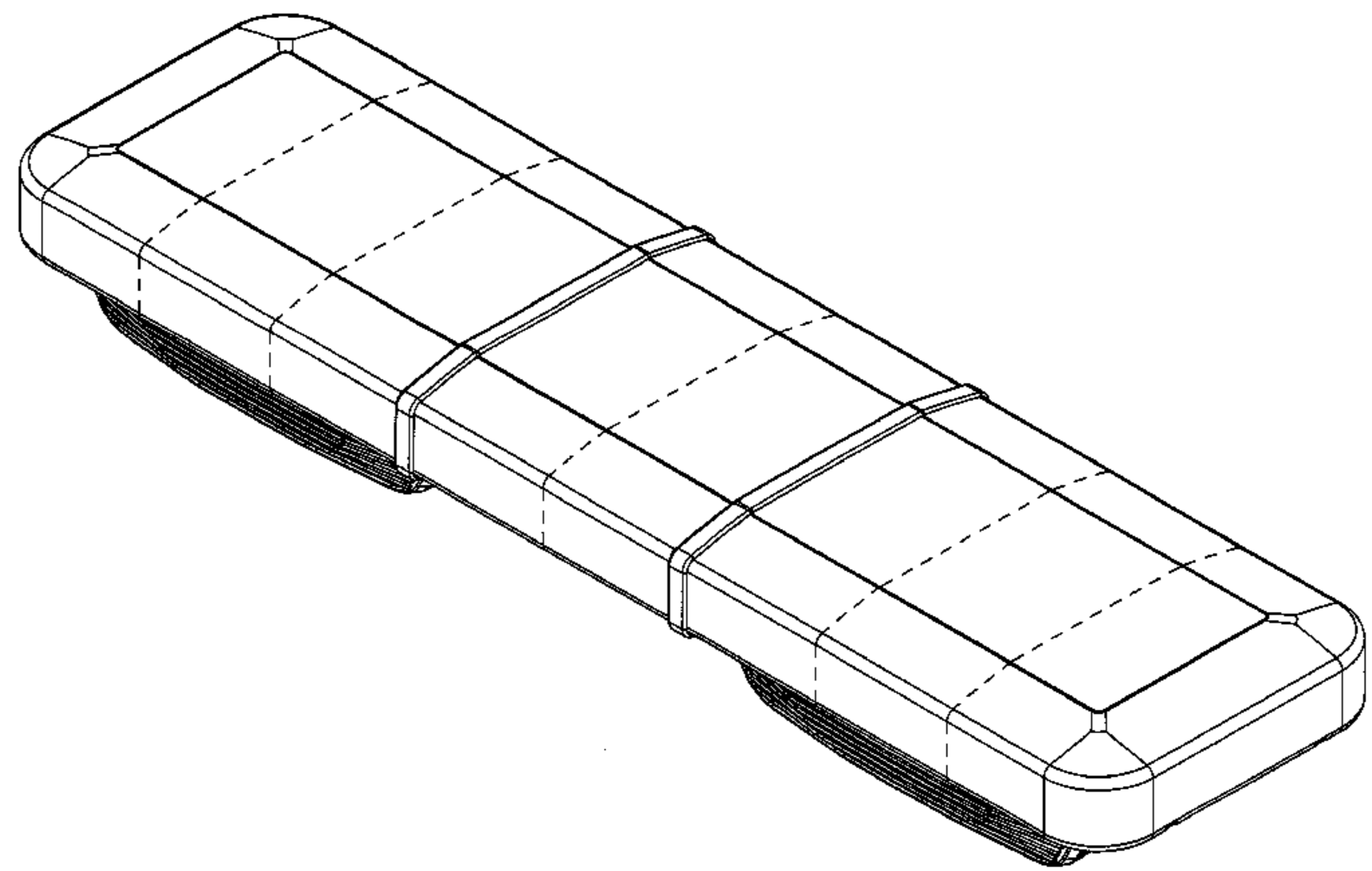
U.S. PATENT DOCUMENTS

The elements shown in broken lines are for illustrative purposes only and form no part of the claimed design.

D410,402 S * 6/1999 Stein et al. D10/114.4

D432,038 S * 10/2000 Sasaki et al. D10/114.4

1 Claim, 8 Drawing Sheets



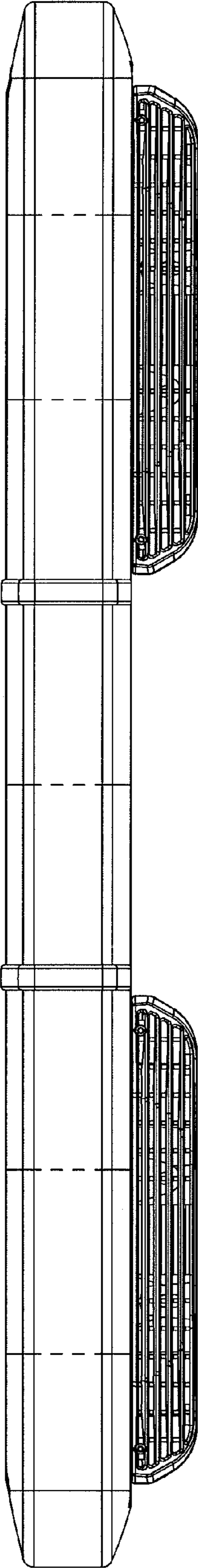


FIG. 1

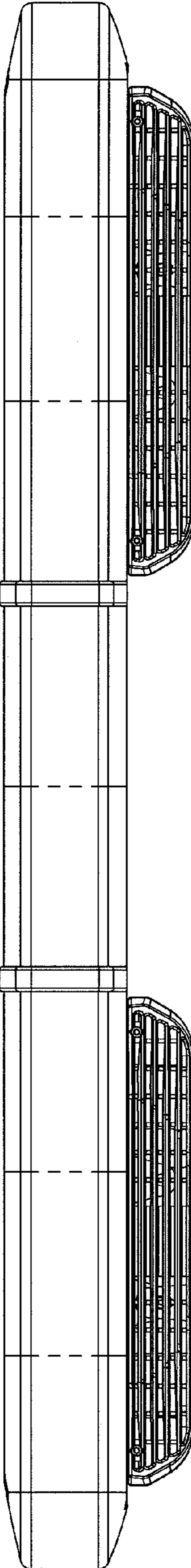


FIG. 2

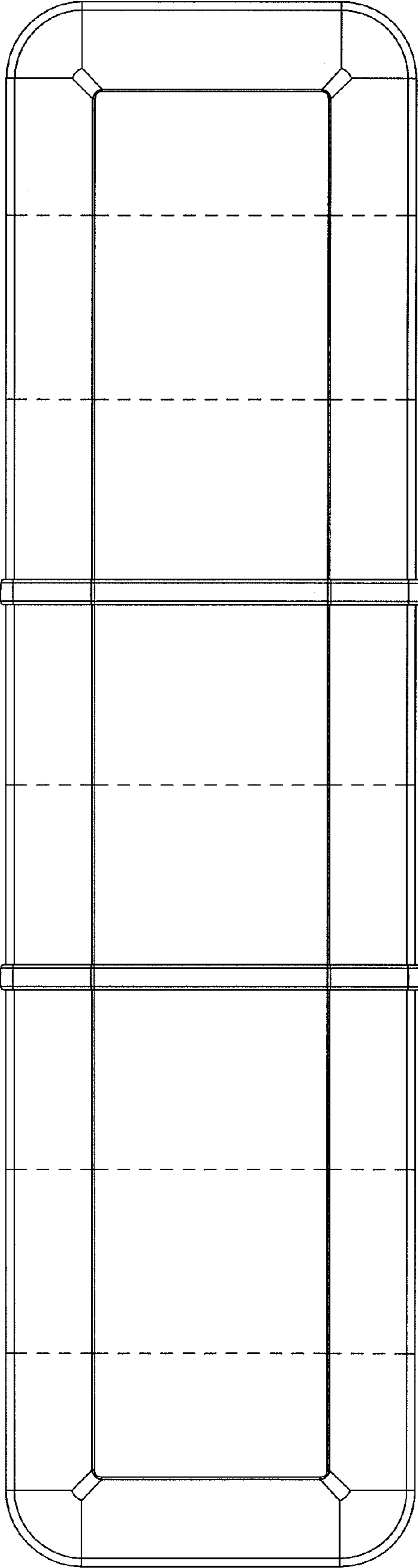


FIG. 3

FIG. 4

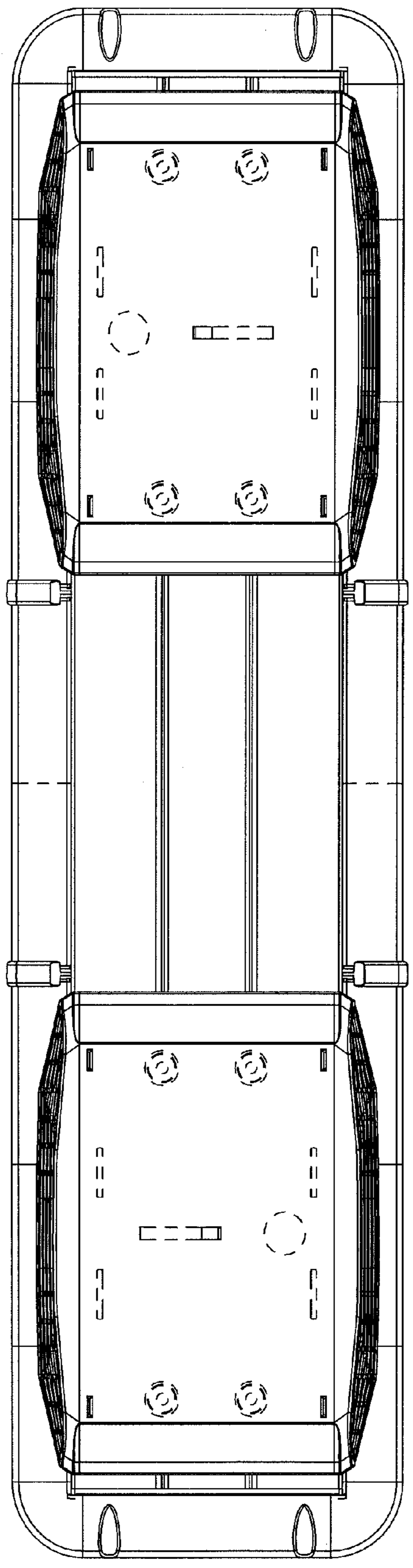


FIG. 5

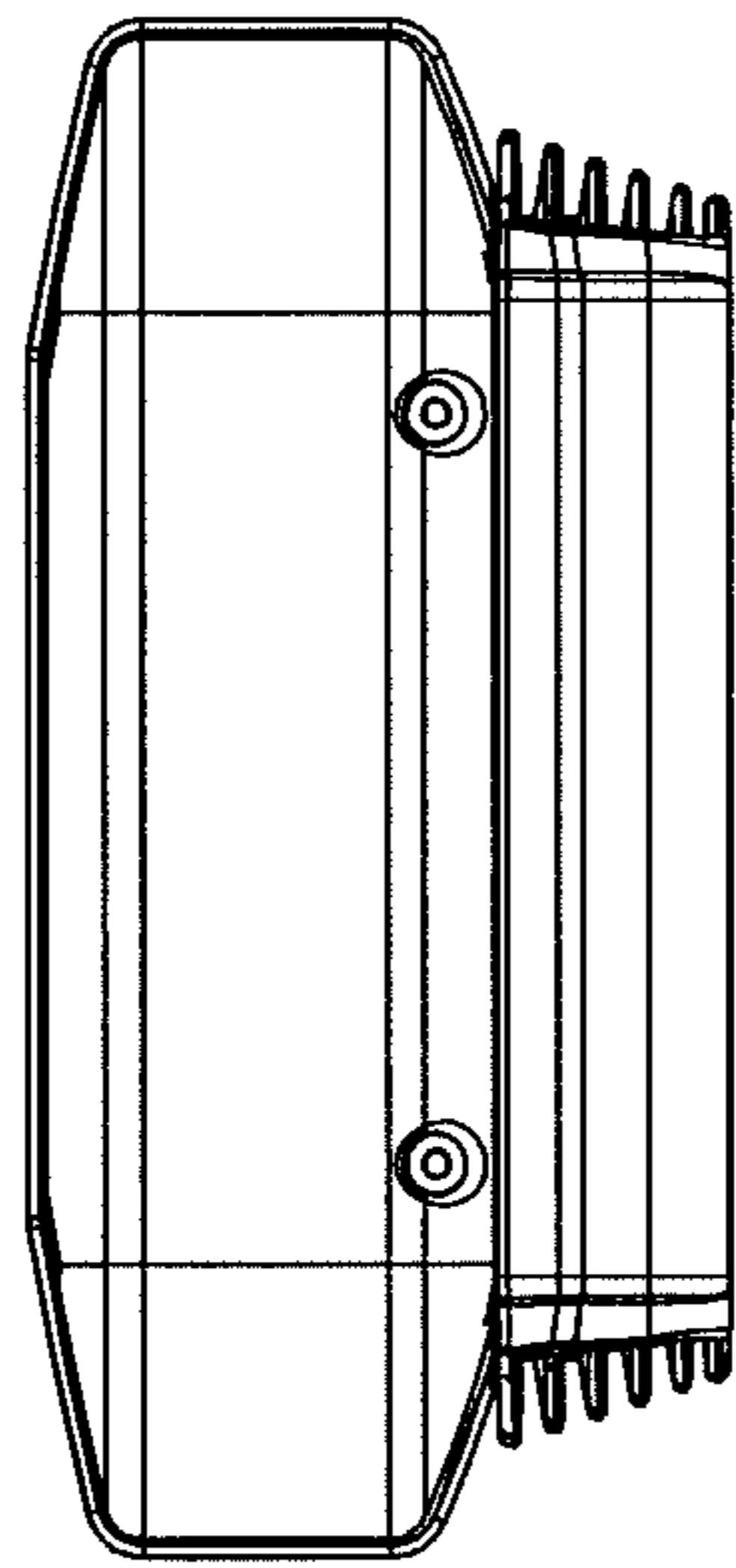
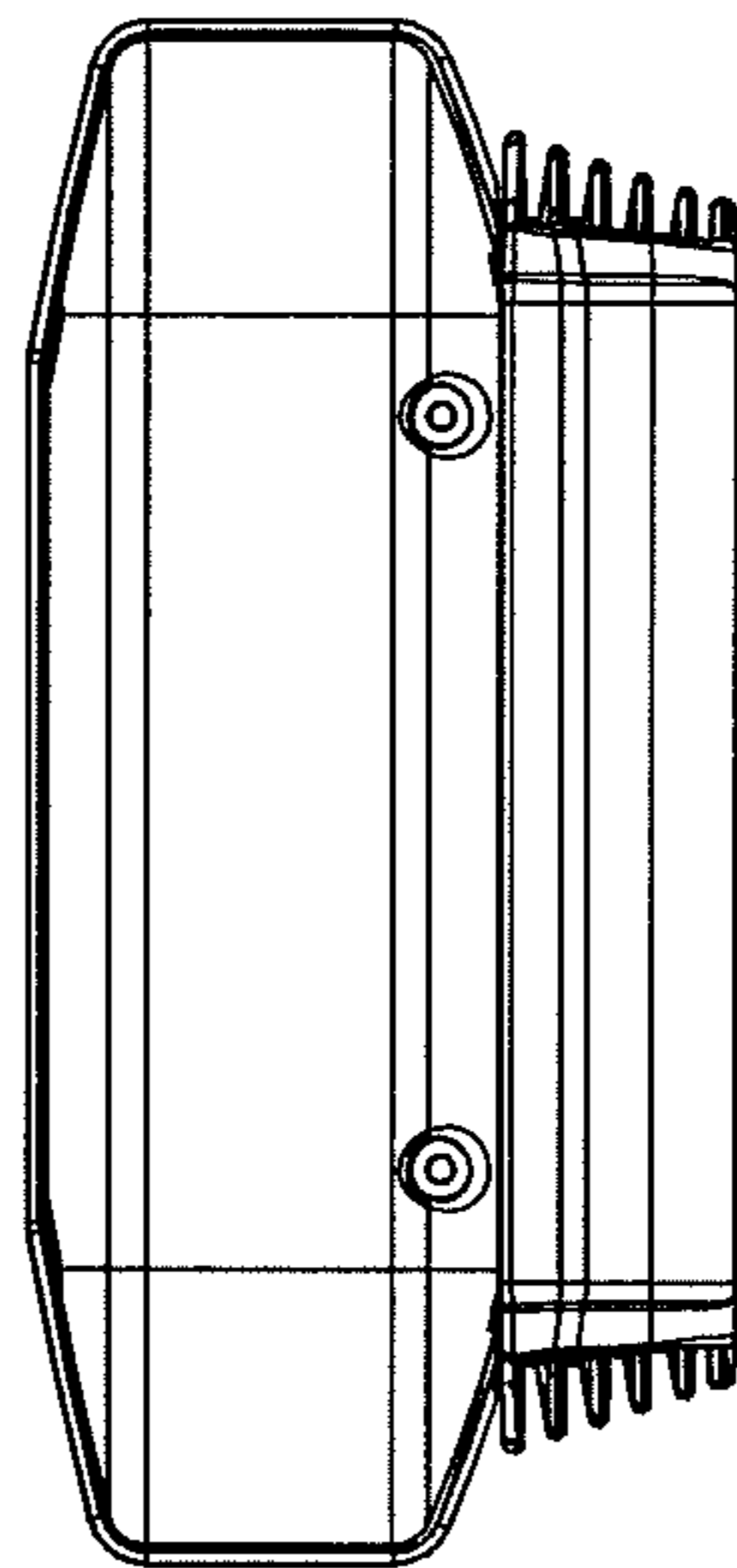


FIG. 6



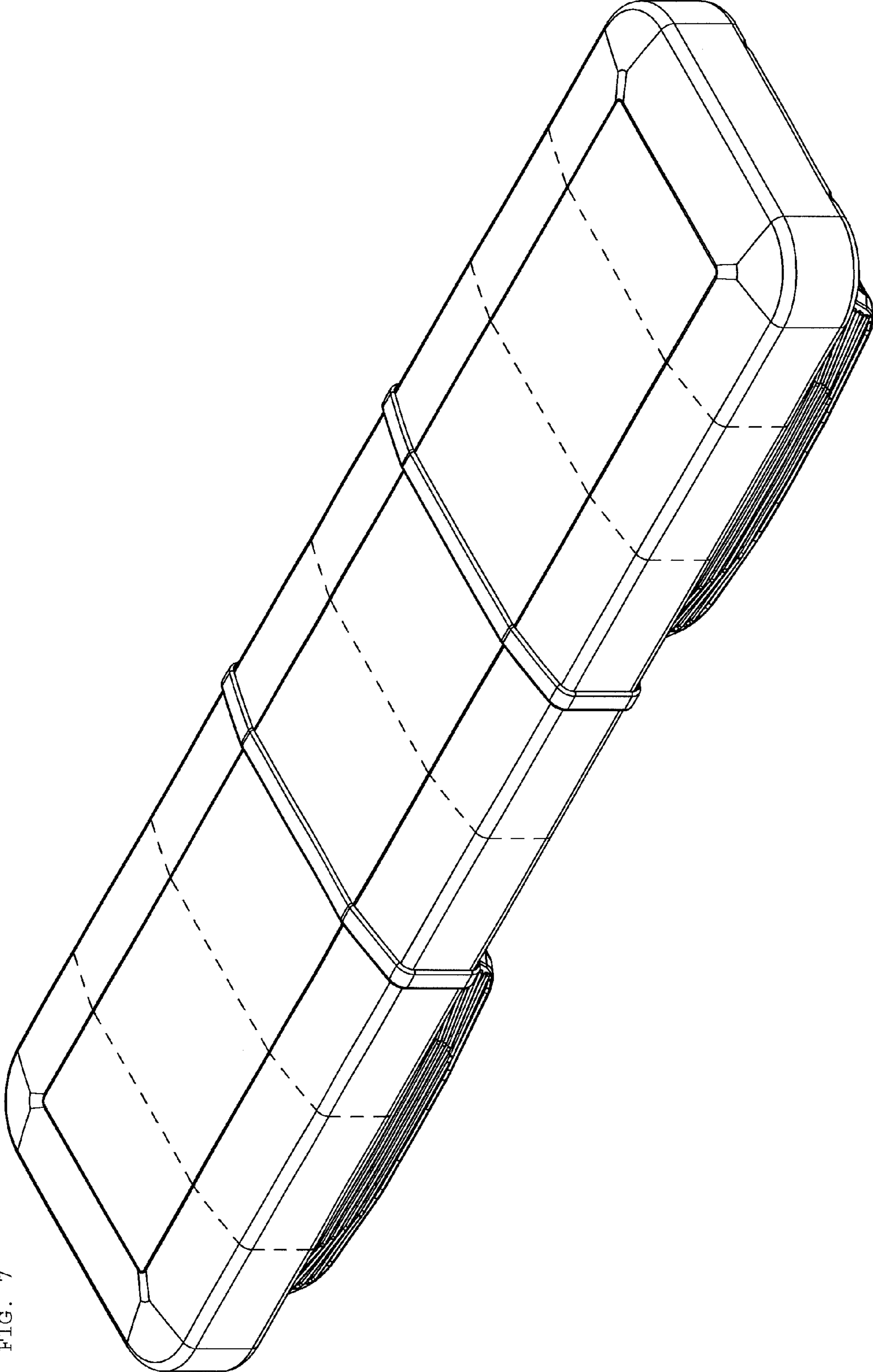


FIG. 7

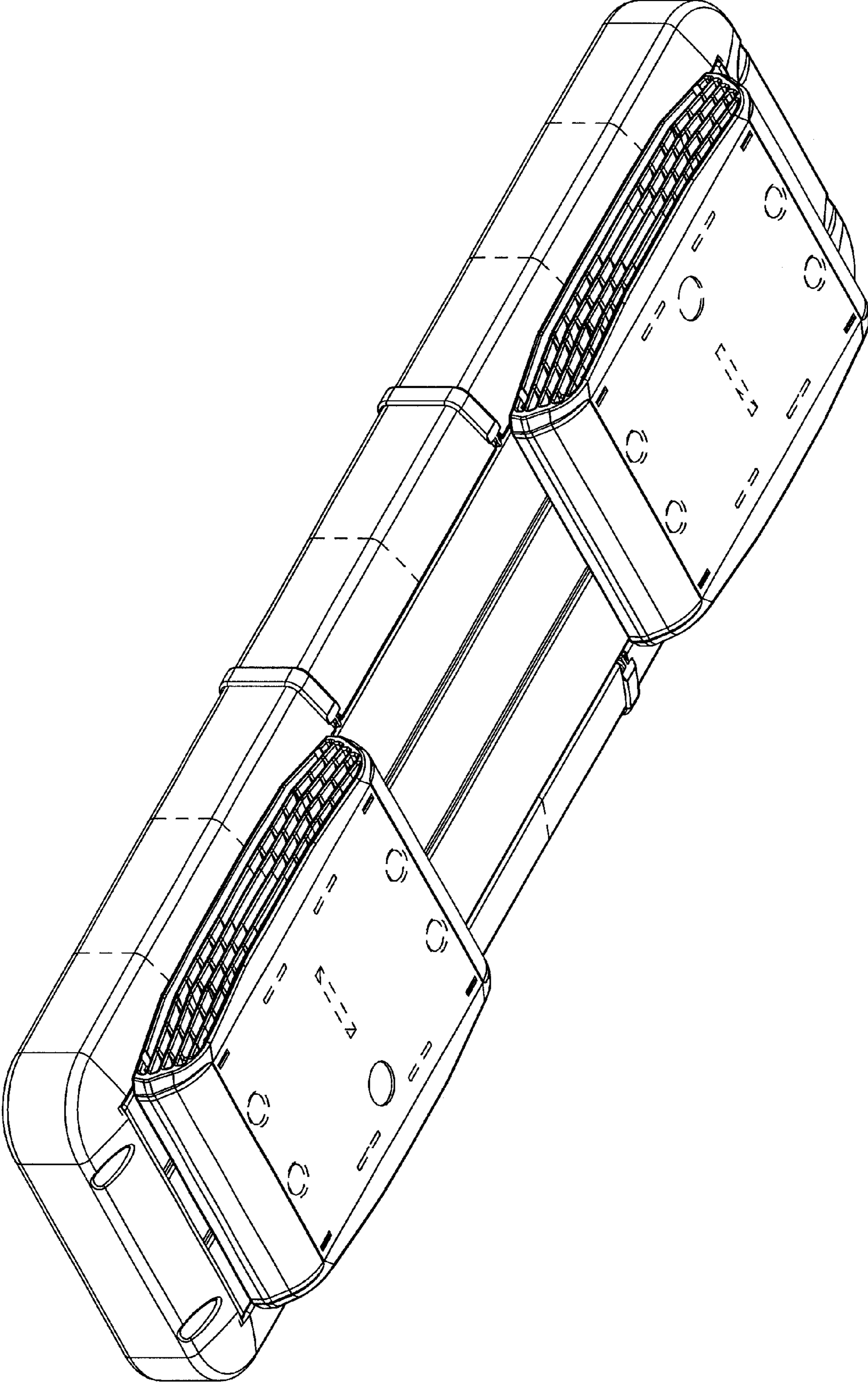


FIG. 8