



US00D741206S

(12) **United States Design Patent**  
**Lim et al.**

(10) **Patent No.:** **US D741,206 S**  
(45) **Date of Patent:** **\*\* Oct. 20, 2015**

(54) **WEARABLE DEVICE**

(71) Applicant: **LG ELECTRONICS INC.**, Seoul (KR)

(72) Inventors: **Hwitae Lim**, Seoul (KR); **Cheolwoong Shin**, Seoul (KR)

(73) Assignee: **LG Electronics Inc.**, Seoul (KR)

(\*\*) Term: **14 Years**

(21) Appl. No.: **29/514,680**

(22) Filed: **Jan. 15, 2015**

(30) **Foreign Application Priority Data**

Jul. 17, 2014 (KR) ..... 30-2014-0035093

(51) **LOC (10) Cl.** ..... **10-04**

(52) **U.S. Cl.**  
USPC ..... **D10/70; D10/38**

(58) **Field of Classification Search**  
USPC ..... D10/30-39, 65, 70, 97, 98; D11/3;  
D14/138 R, 203.5, 203.6, 341, 344,  
D14/347; D24/167, 168  
CPC ..... A44C 5/00-5/16; G04B 37/00-37/228;  
G04B 45/0069; G04B 47/04; G04B  
19/00-19/34; G04B 21/12; G04B 23/12;  
G04B 47/00-47/068; G01C 17/00; G01C  
21/00-21/3697

See application file for complete search history.

(56) **References Cited**

U.S. PATENT DOCUMENTS

D586,674 S \* 2/2009 Solarewicz ..... D10/70  
D602,386 S \* 10/2009 Ueda et al. .... D10/98  
D673,060 S \* 12/2012 Chiang ..... D10/38  
D719,125 S \* 12/2014 Choi et al. .... D14/138 R  
D726,674 S \* 4/2015 Lee et al. .... D14/138 G

\* cited by examiner

*Primary Examiner* — Antoine D Davis

(74) *Attorney, Agent, or Firm* — Birch, Stewart, Kolasch & Birch, LLP

(57) **CLAIM**

The ornamental design for a wearable device, as shown and described.

**DESCRIPTION**

FIG. 1 is a perspective view of a wearable device showing our new design;  
FIG. 2 is a front view thereof;  
FIG. 3 is a rear view thereof;  
FIG. 4 is a left side view thereof;  
FIG. 5 is a right side view thereof;  
FIG. 6 is a top plan view thereof; and,  
FIG. 7 is a bottom plan view thereof.  
The broken lines depict portions of the wearable device that form no part of the claimed design.

**1 Claim, 7 Drawing Sheets**

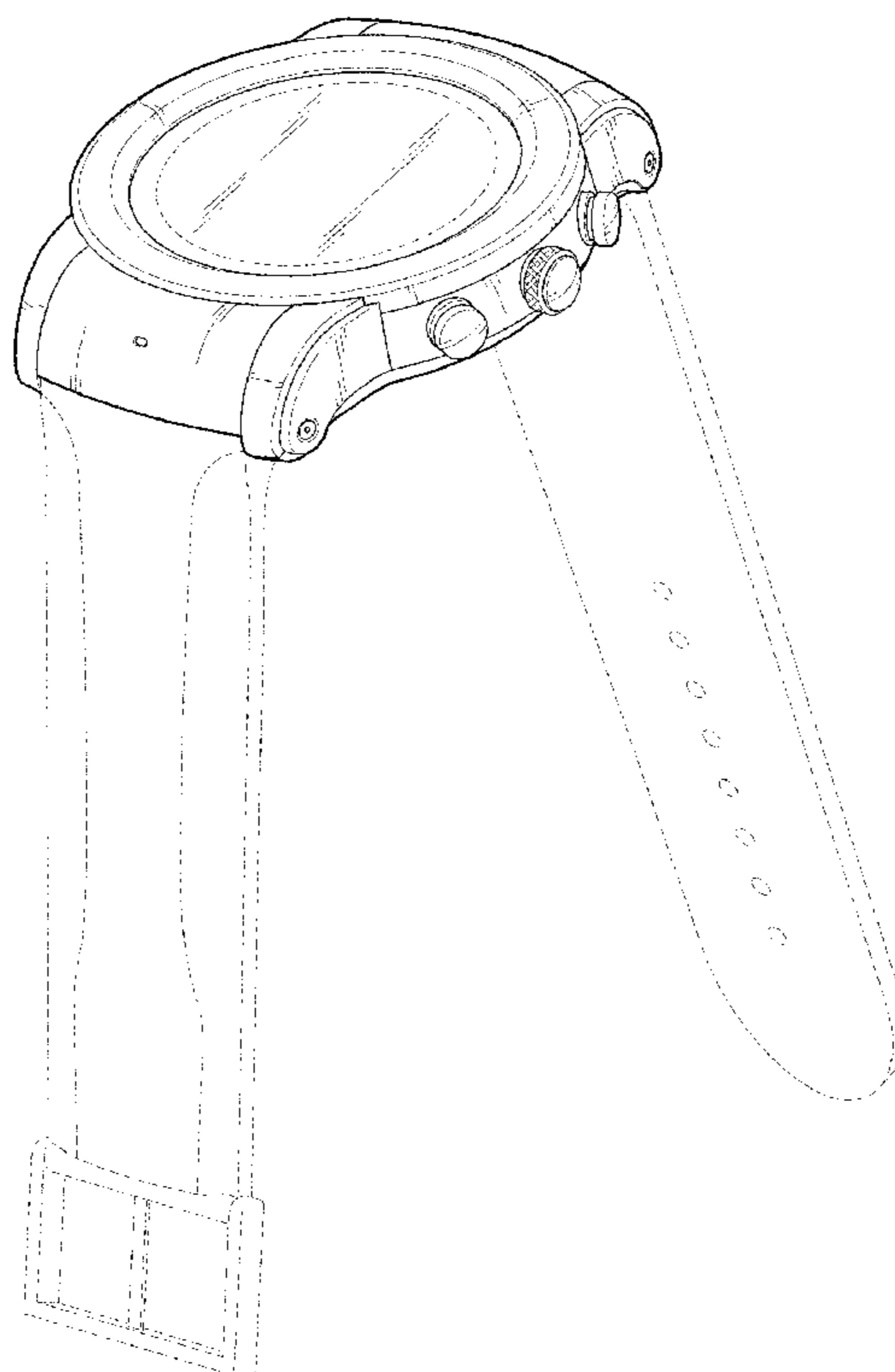


FIG. 1

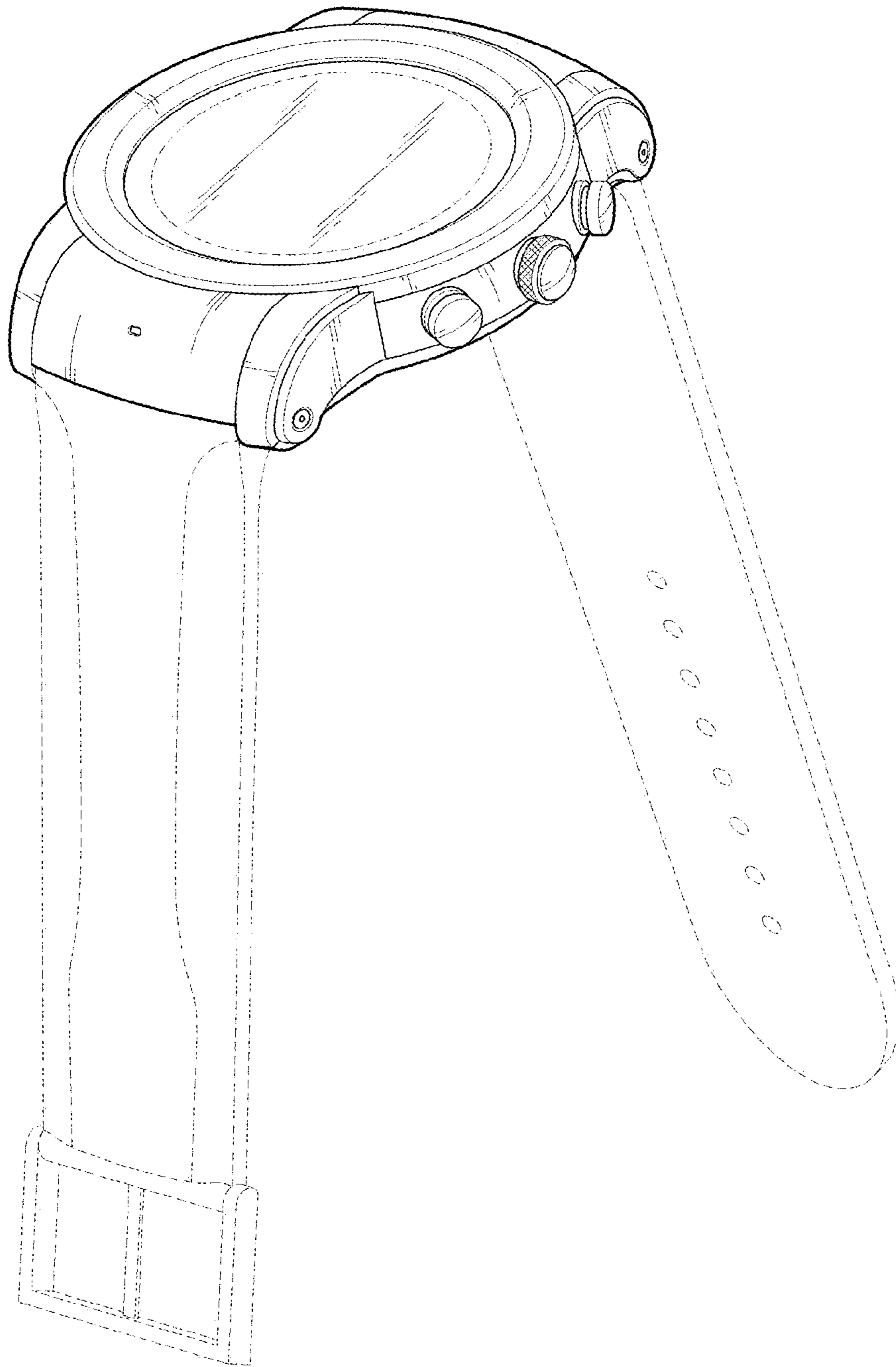


FIG. 2

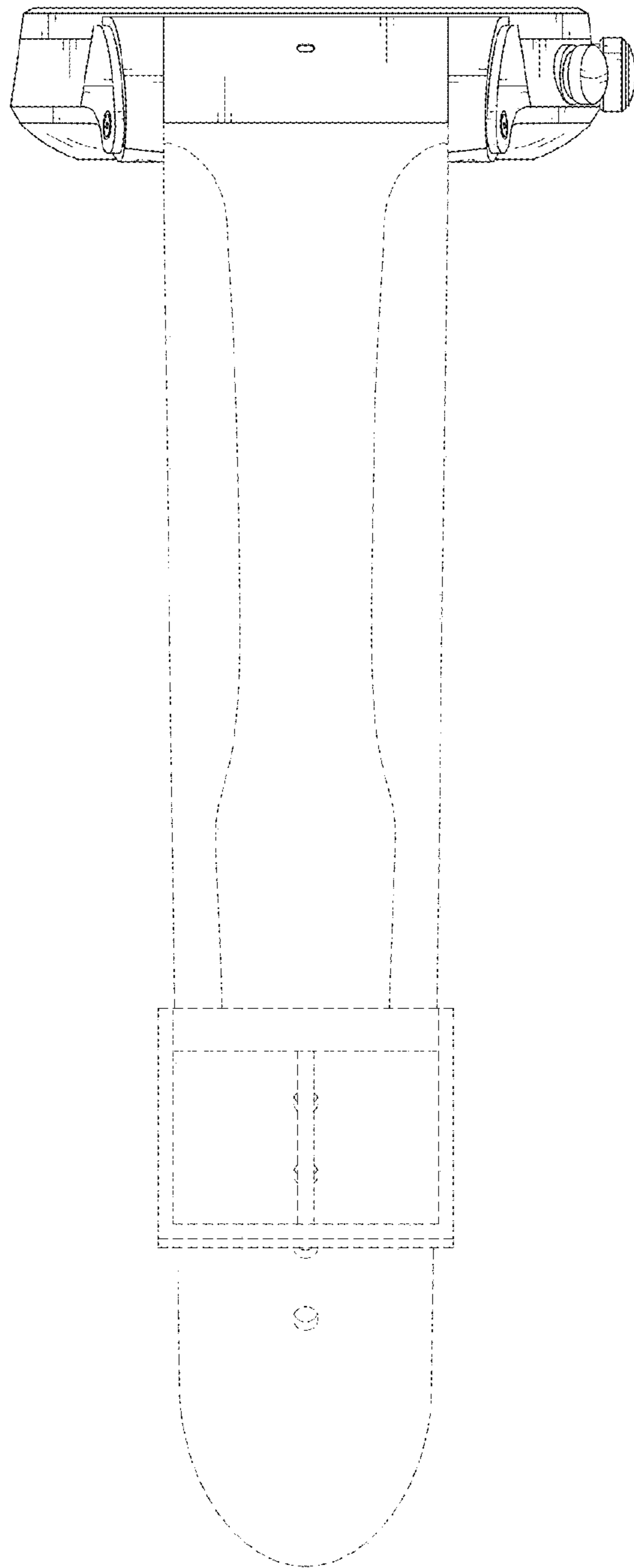


FIG. 3

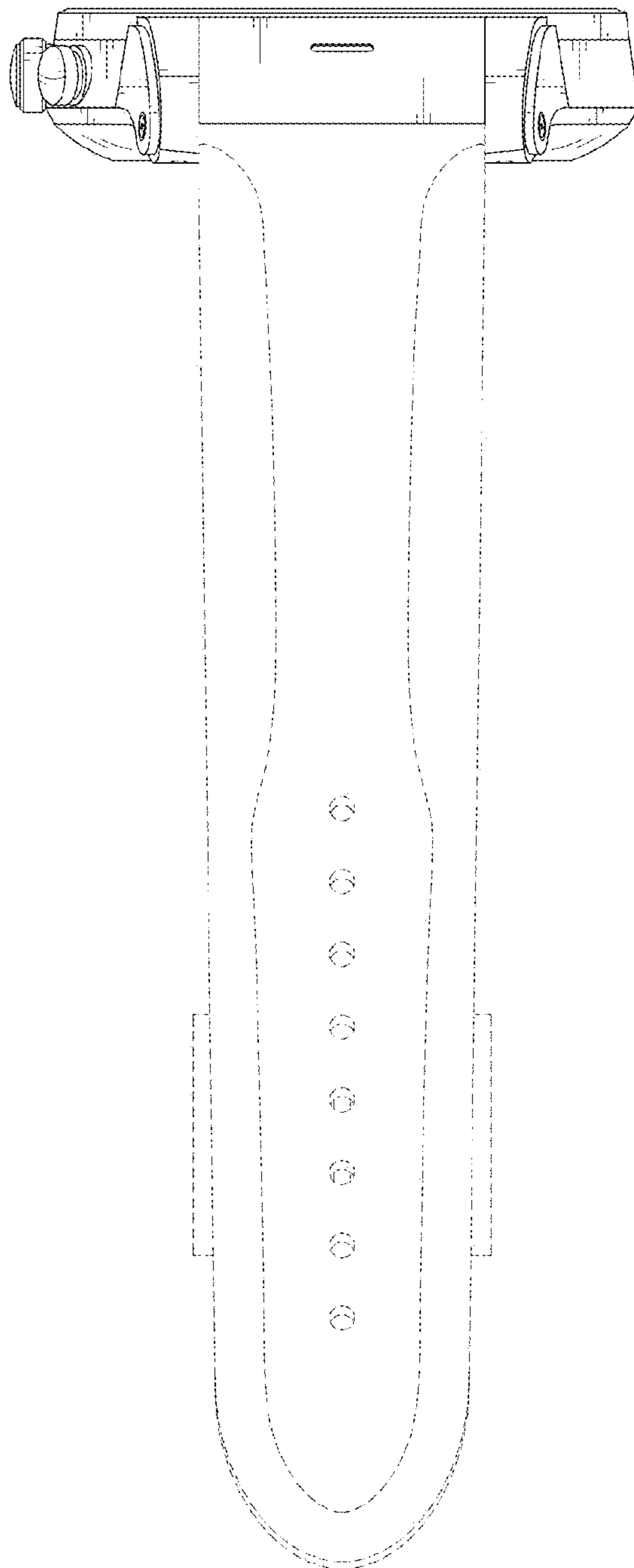


FIG. 4

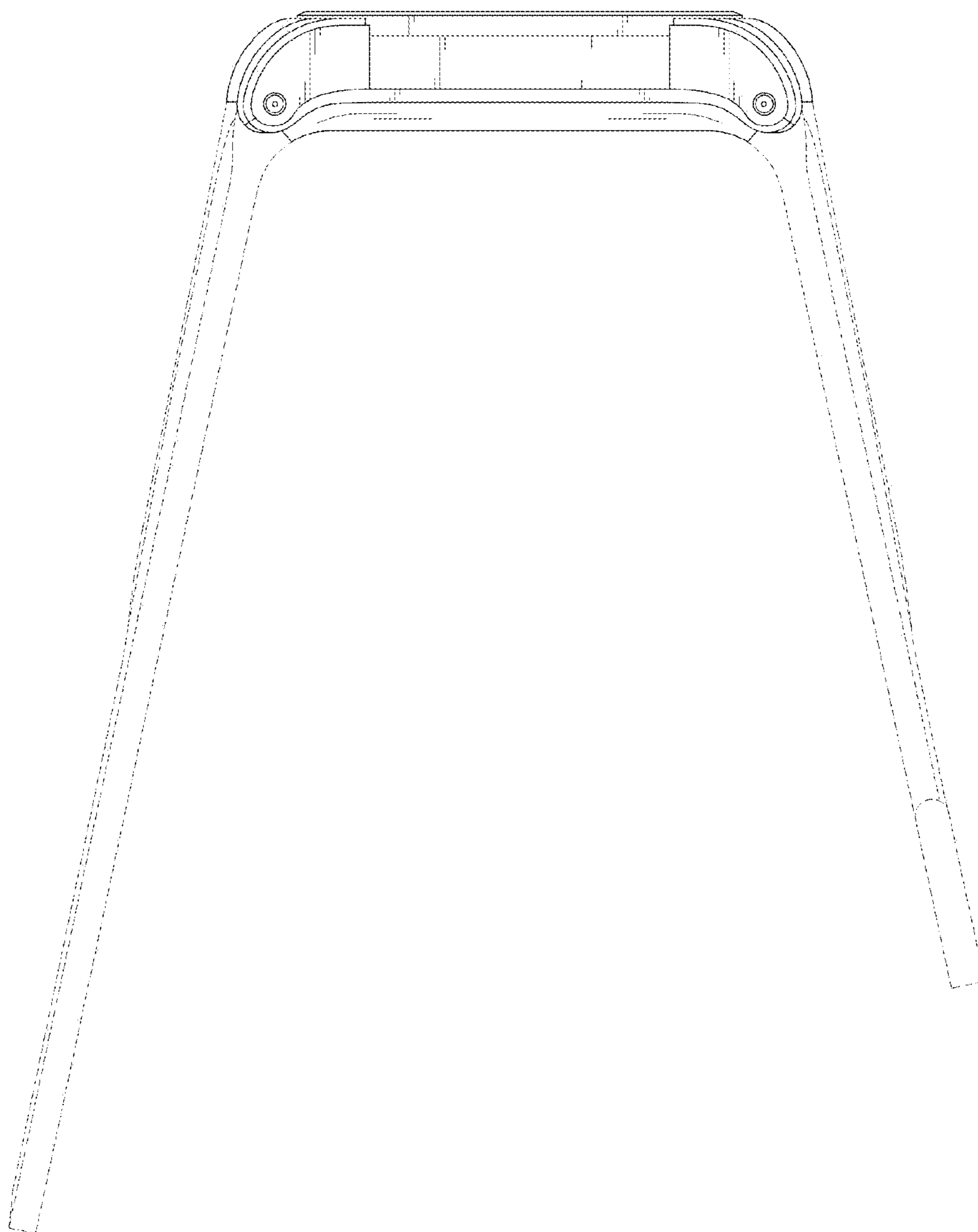


FIG. 5

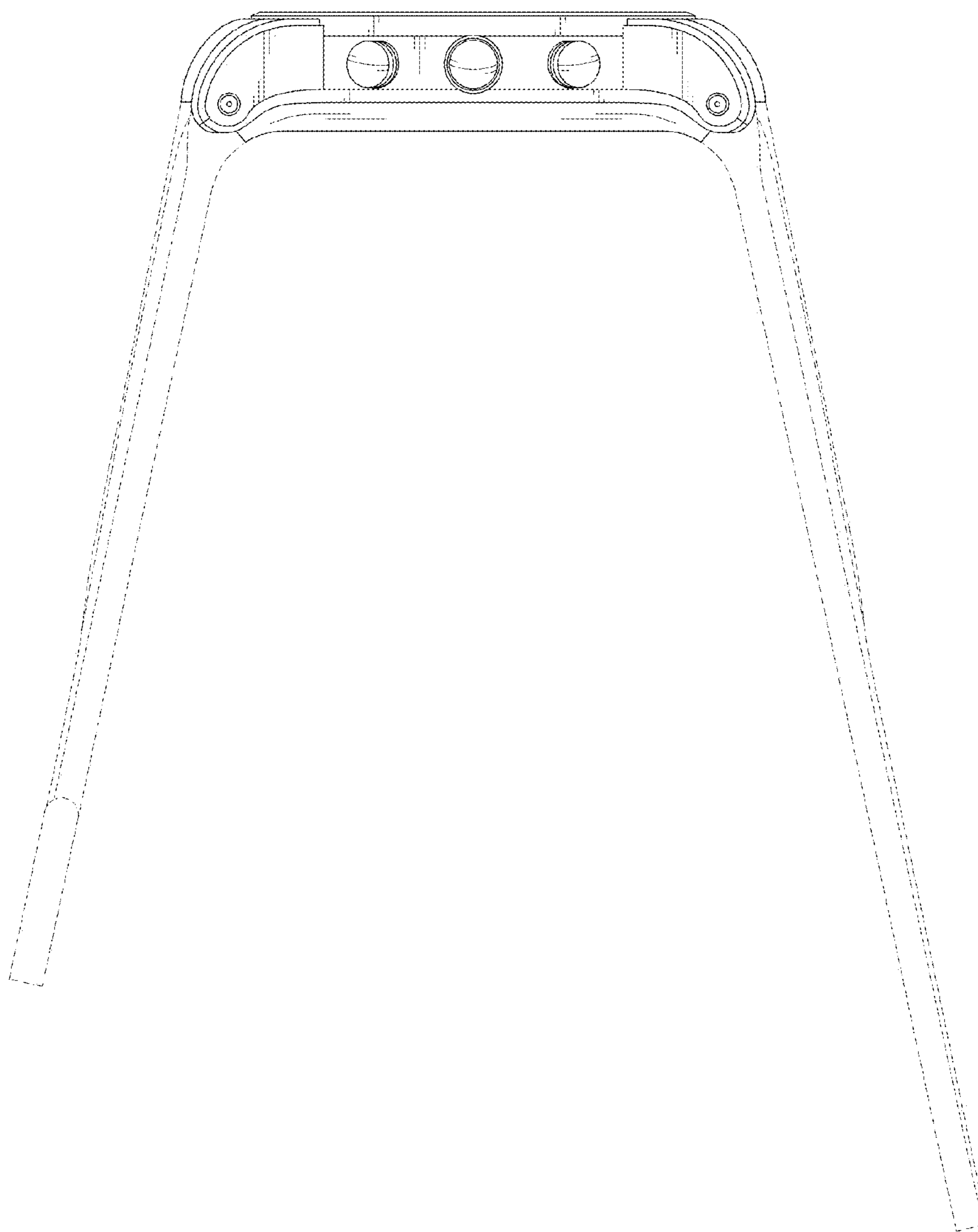


FIG. 6

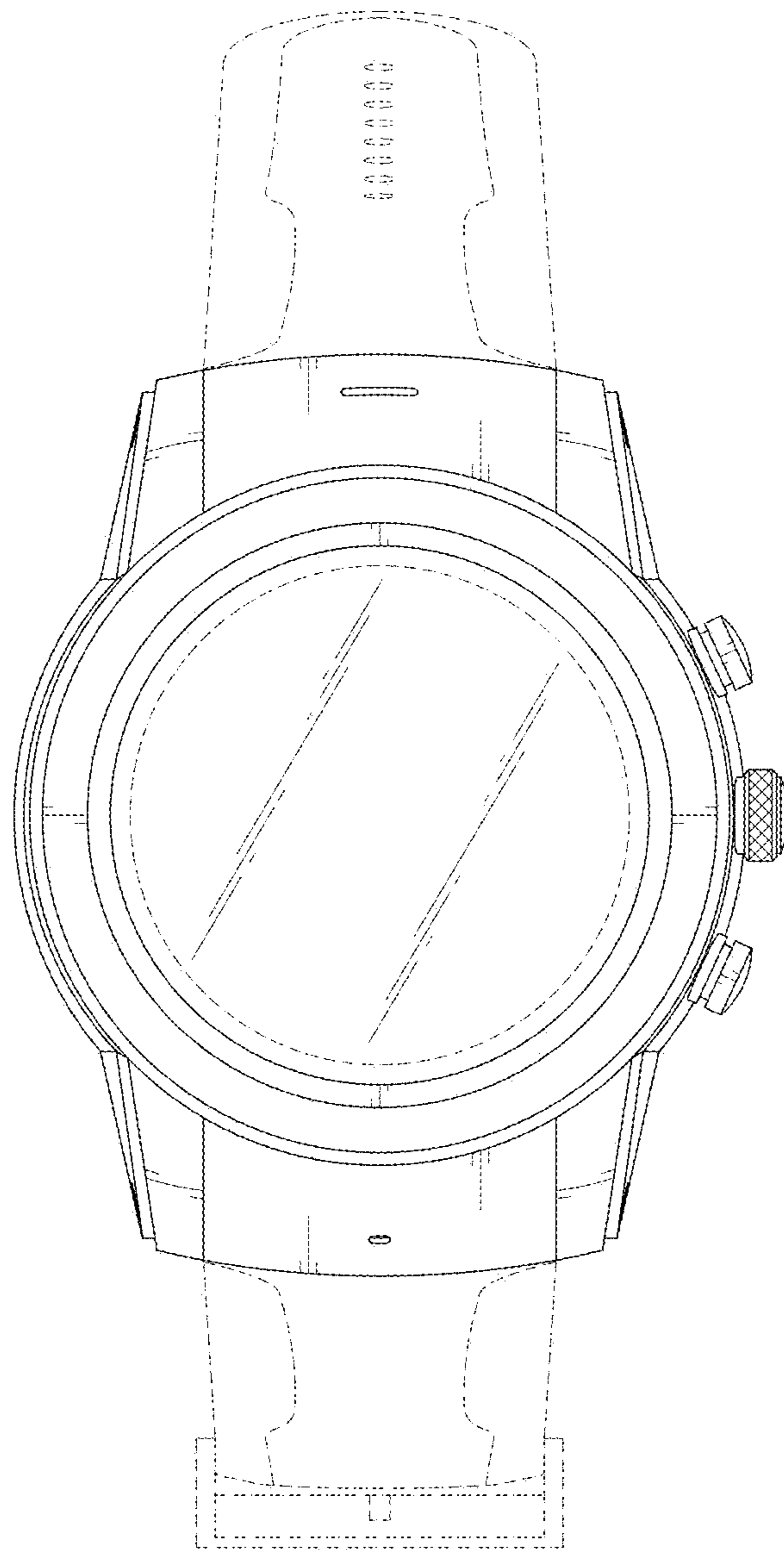


FIG. 7

