



US00D741205S

(12) **United States Design Patent**
Lantzsch

(10) **Patent No.:** **US D741,205 S**

(45) **Date of Patent:** **** Oct. 20, 2015**

(54) **SENSOR**

7/16; G01K 7/32; G01K 11/26; G01K 11/125;
G01K 2205/00; G01N 1/10; G01N 15/06;
G01N 2001/1037; G01L 23/16

(71) Applicant: **TESONA GmbH & Co. KG,**
Hörselberg/Hainich (DE)

See application file for complete search history.

(72) Inventor: **Heiko Lantzsch,** Eisenach (DE)

(56) **References Cited**

(73) Assignee: **TESONA GmbH & Co., KG,**
Hörselberg/Hainich (DE)

U.S. PATENT DOCUMENTS

(**) Term: **14 Years**

(21) Appl. No.: **29/513,012**

(22) Filed: **Dec. 24, 2014**

4,349,031 A	9/1982	Perlin	600/380
4,919,099 A	4/1990	Extance et al.	123/406.28
5,334,932 A	8/1994	Nielsen	324/204
5,364,186 A	11/1994	Wang et al.	374/126
7,340,118 B2	3/2008	Wlodarczyk et al.	385/12
7,600,914 B2	10/2009	Bronnert	374/208
D699,599 S	2/2014	Sonnendorfer	D10/57
8,770,048 B2	7/2014	Khuzwayo	73/863.71
8,770,837 B2	7/2014	Egan et al.	374/179
2015/0023391 A1*	1/2015	Sannier et al.	374/183

Related U.S. Application Data

(62) Division of application No. 29/448,610, filed on Mar. 13, 2013, now Pat. No. Des. 722,896.

* cited by examiner

(30) **Foreign Application Priority Data**

Primary Examiner — Antoine D Davis

Sep. 13, 2012 (EP) 002102731-0001
 Sep. 13, 2012 (EP) 002102731-0002
 Sep. 13, 2012 (EP) 002102731-0003
 Sep. 13, 2012 (EP) 002102731-0004

(74) *Attorney, Agent, or Firm* — Gerald T. Bodner

(51) **LOC (10) Cl.** **10-04**

(57) **CLAIM**

The ornamental design of a sensor, as shown and described.

(52) **U.S. Cl.**

USPC **D10/57**

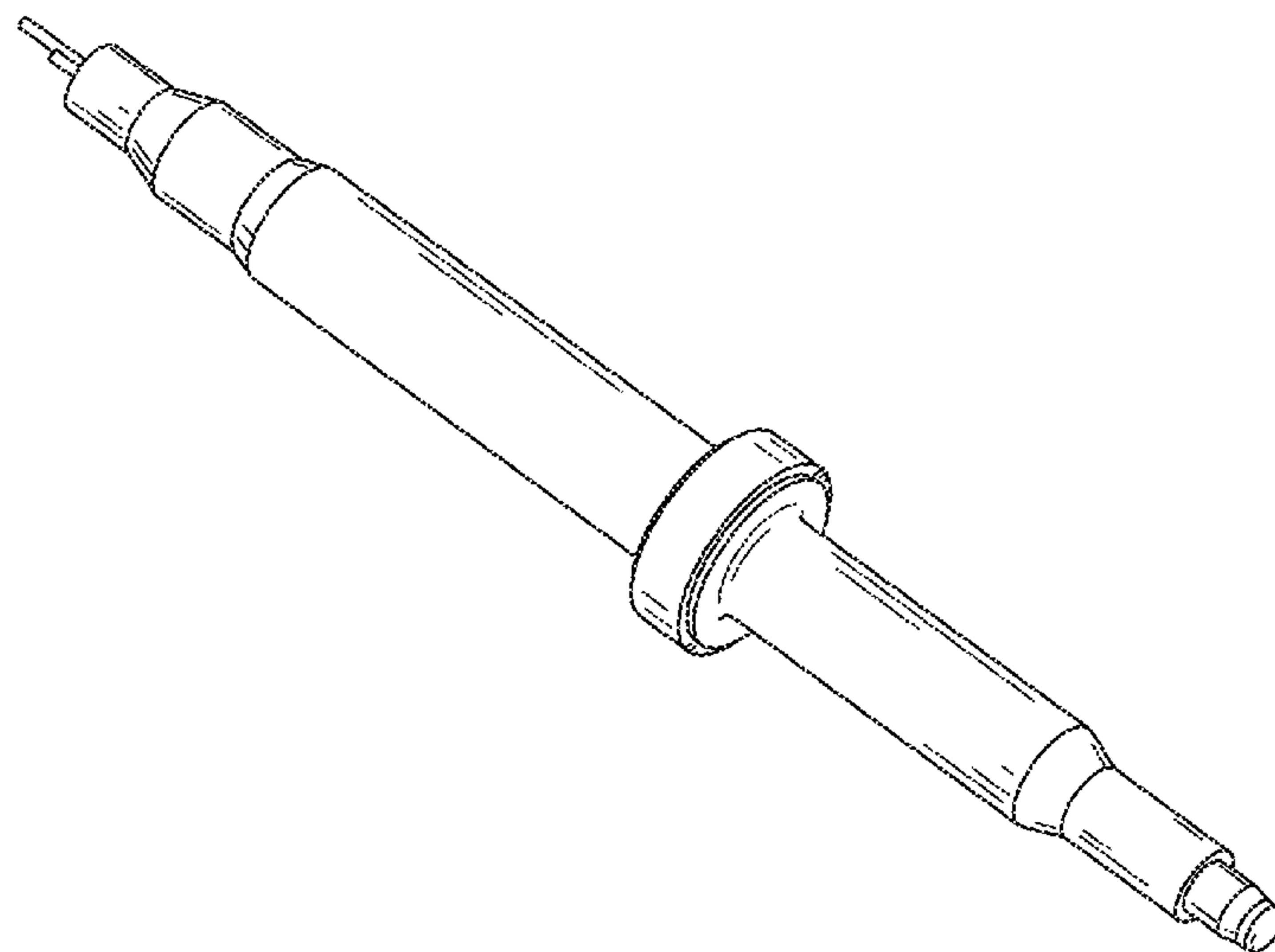
DESCRIPTION

(58) **Field of Classification Search**

USPC D10/78, 57, 58, 60; 73/114.69, 114.79,
 73/114.09, 35.07; 123/90.15, 406.28, 435,
 123/494; 324/204, 225, 236; 374/144–146,
 374/155, 163, 186, 185, 208, 209,
 374/E1.001–E1.017, E11.019, 126, 131;
 701/103, 114; 702/183
 CPC G01J 5/04; G01J 5/042; G01J 5/048;
 G01J 5/0887; G01J 5/0821; G01J 5/0828;
 G01J 5/08; G01K 1/08; G01K 1/14; G01K

FIG. 1 is a top left perspective view of a sensor showing my new design;
 FIG. 2 is a front elevational view thereof;
 FIG. 3 is a rear elevational view thereof;
 FIG. 4 is a left elevational view thereof;
 FIG. 5 is a right elevational view thereof;
 FIG. 6 is a top plan view thereof; and,
 FIG. 7 is a bottom plan view thereof.

1 Claim, 7 Drawing Sheets



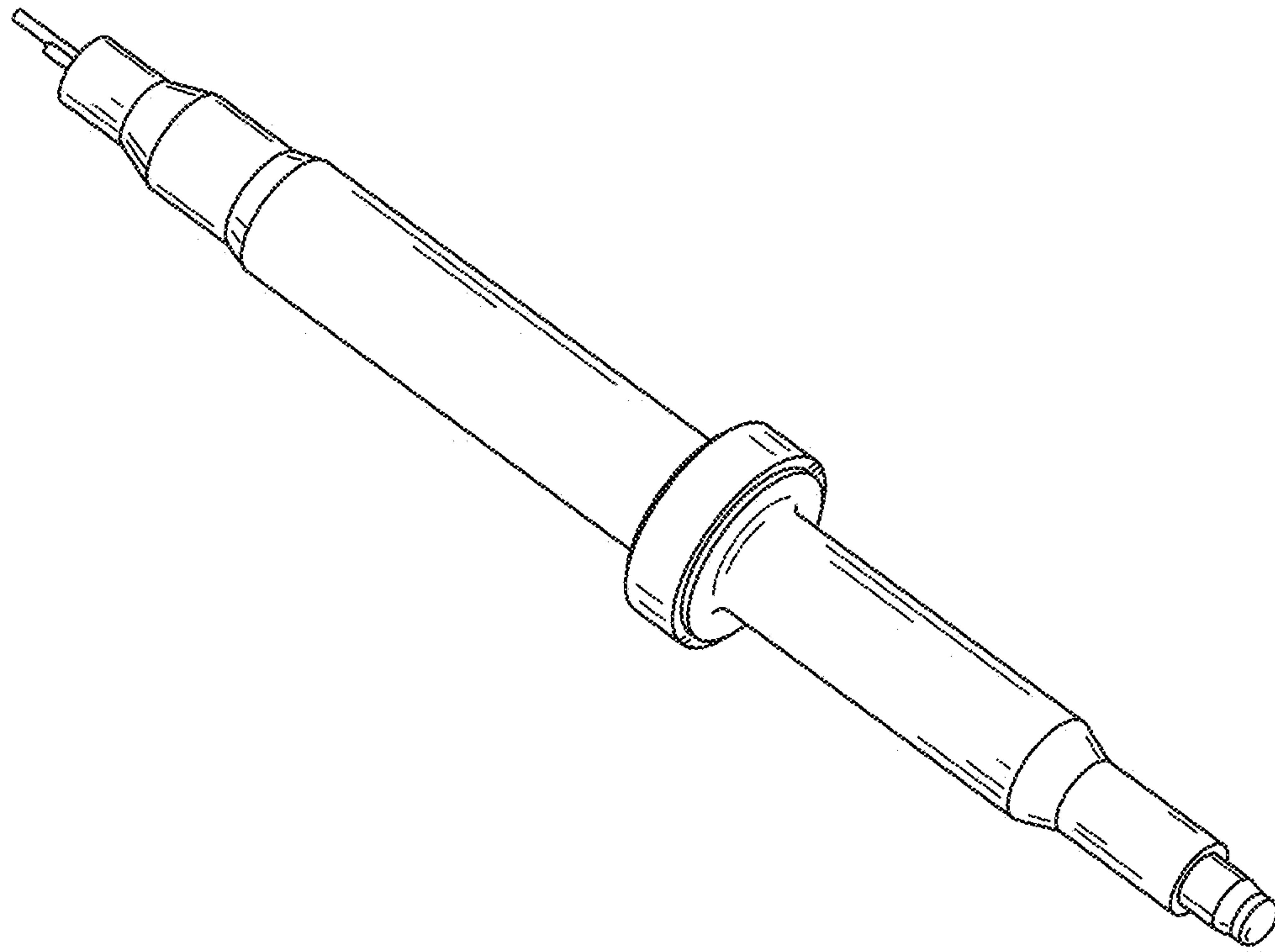


FIG. 1

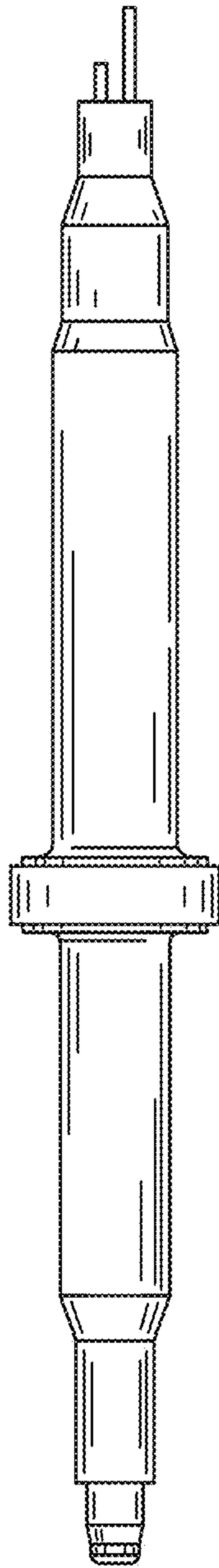


FIG. 2

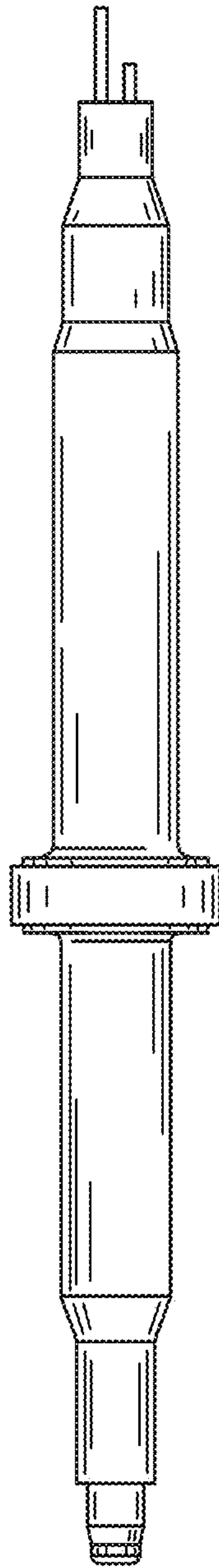


FIG. 3

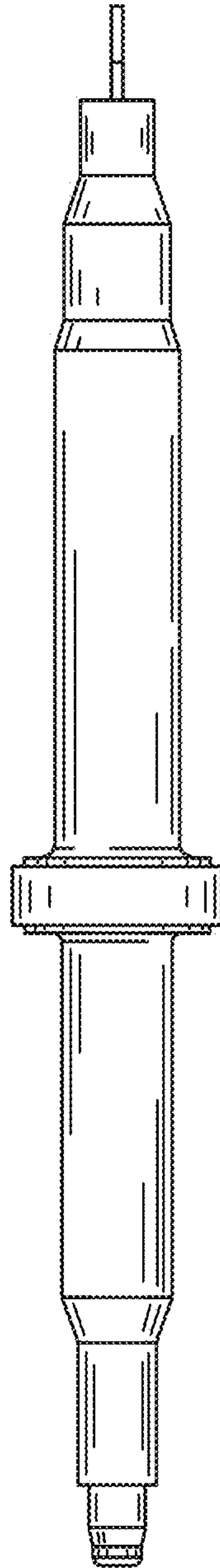


FIG. 4

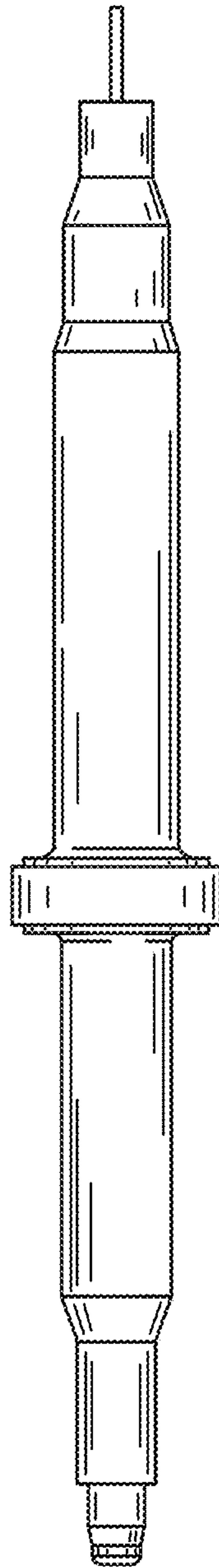


FIG. 5

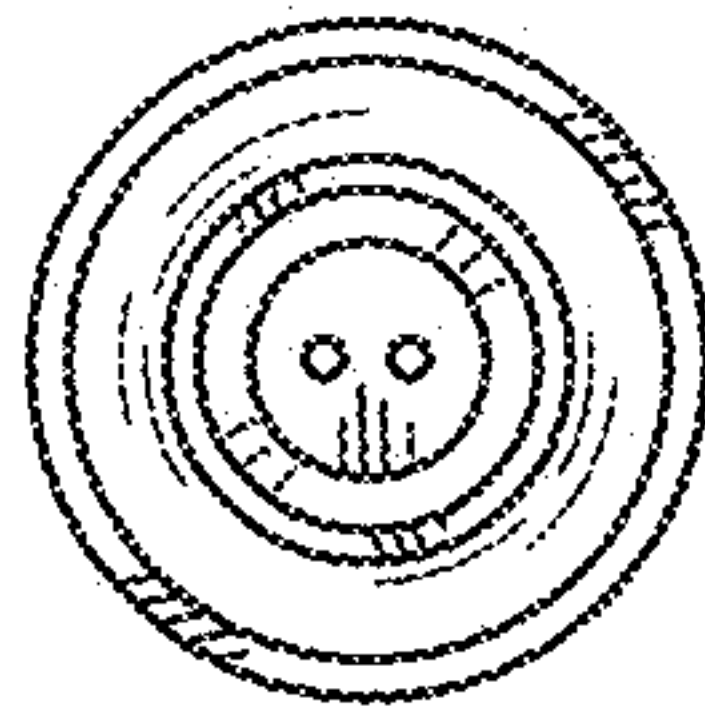


FIG. 6

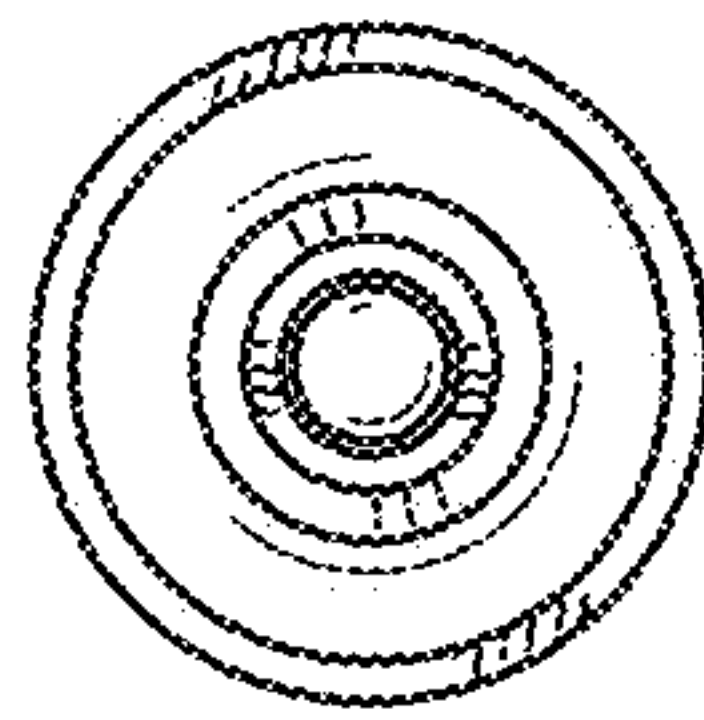


FIG. 7