



US00D741203S

(12) **United States Design Patent**
Giannini

(10) **Patent No.:** **US D741,203 S**
(45) **Date of Patent:** **** Oct. 20, 2015**

(54) **WRISTWATCH**

(71) Applicant: **LUXURY GOODS INTERNATIONAL (L.G.I.) SA,**
Cortailod (CH)

(72) Inventor: **Frida Giannini,** Florence (IT)

(73) Assignee: **LUXURY GOODS INTERNATIONAL (L.G.L.) SA,**
Cortailod (CH)

(**) Term: **14 Years**

(21) Appl. No.: **29/495,965**

(22) Filed: **Jul. 8, 2014**

(30) **Foreign Application Priority Data**

Jan. 13, 2014 (CH) 140373

(51) **LOC (10) Cl.** **10-02**

(52) **U.S. Cl.**

USPC **D10/32; D10/39; D10/125**

(58) **Field of Classification Search**

USPC **D10/30-39, 1-29, 122-132**

CPC **G04B 15/00; G04B 19/00; G04B 19/04;**

G04B 19/06; G04B 19/10; G04B 19/24;

G04B 37/00; G04B 37/0008; G04B 37/0058;

G04B 45/00; G04B 45/0069; G04B 45/0076;

G04B 45/02; A44C 5/00; A44C 5/18

See application file for complete search history.

(56) **References Cited**

U.S. PATENT DOCUMENTS

D373,322 S *	9/1996	Helleu	D10/125
D514,457 S *	2/2006	Diltoer	D10/39
D519,853 S *	5/2006	Sirmakes	D10/32
D545,695 S *	7/2007	Laucella	D10/31
D586,242 S *	2/2009	Schoepfer	D10/39
D610,924 S *	3/2010	Duport et al.	D10/39
D611,844 S *	3/2010	Furetta	D10/39
D614,064 S *	4/2010	Rabassa et al.	D10/125
D618,575 S *	6/2010	Duport et al.	D10/126
D622,166 S *	8/2010	Monachon	D10/39
D645,364 S *	9/2011	Duport et al.	D10/39
D650,709 S *	12/2011	Duport et al.	D10/39
D672,255 S *	12/2012	Zanella et al.	D10/32
D703,554 S *	4/2014	Emmenegger et al.	D10/32
D705,084 S *	5/2014	Emmenegger et al.	D10/32

* cited by examiner

Primary Examiner — Martie K Holtje

(74) *Attorney, Agent, or Firm* — Sughrue Mion, PLLC

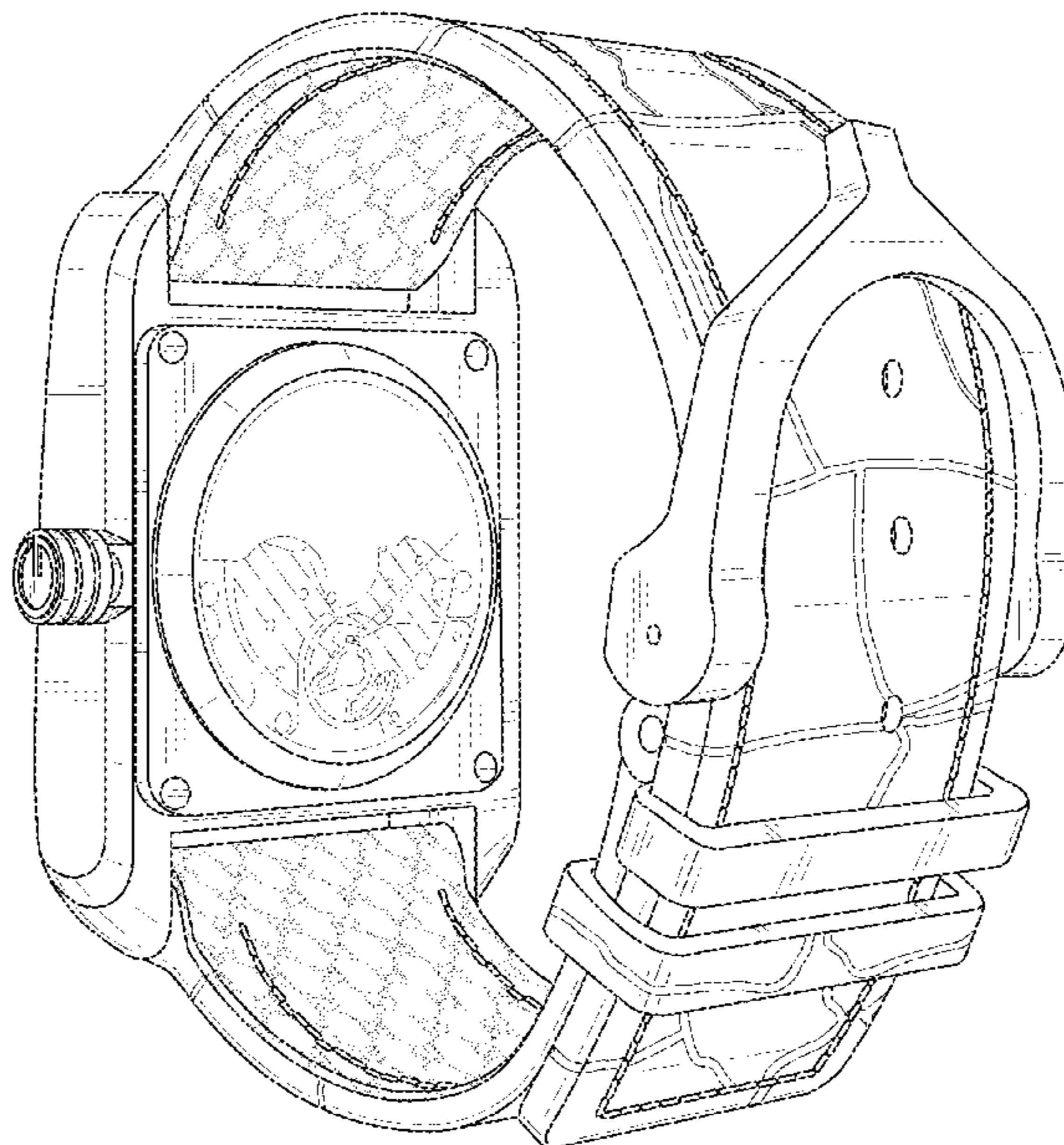
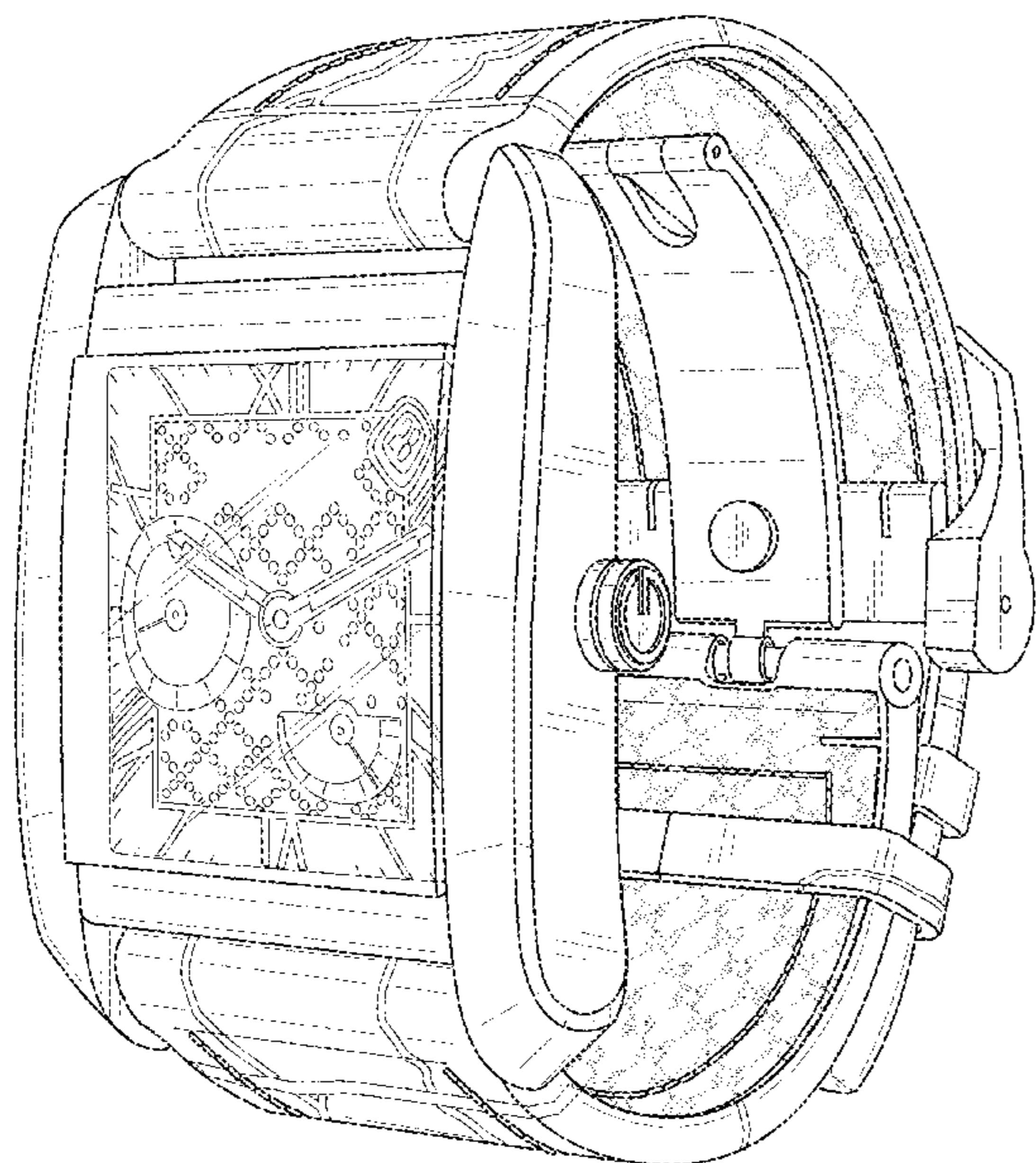
(57) **CLAIM**

The ornamental design for a wristwatch, as shown and described.

DESCRIPTION

FIG. 1 is a perspective view of the front and right side of a wristwatch showing my new design;
FIG. 2 is a perspective view of the rear and right side thereof;
FIG. 3 is a front elevational view thereof;
FIG. 4 is a rear elevational view thereof;
FIG. 5 is a left side elevational view thereof;
FIG. 6 is a right side elevational view thereof;
FIG. 7 is a top plan view thereof; and,
FIG. 8 is a bottom plan view thereof.

1 Claim, 8 Drawing Sheets



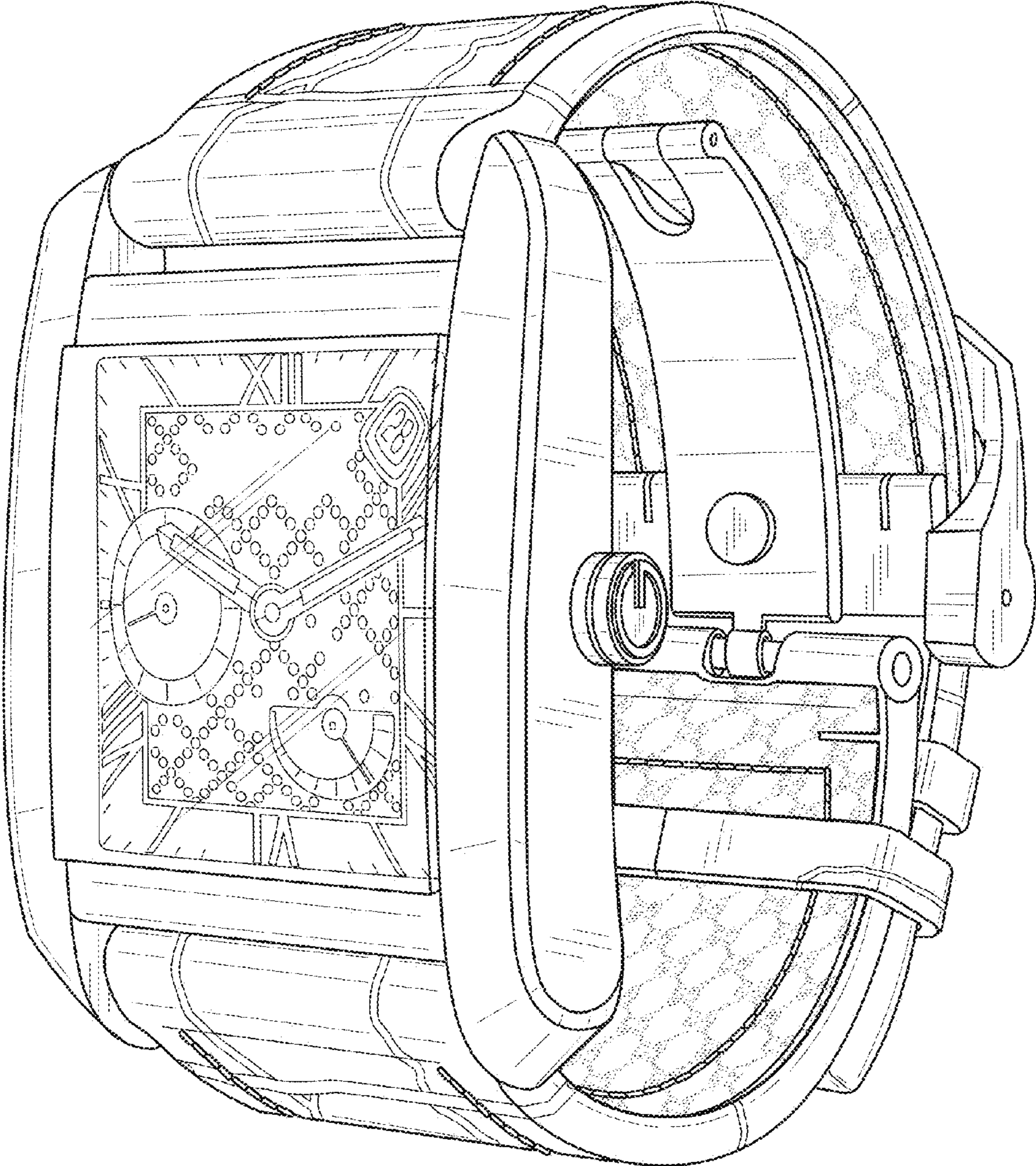


FIG. 1

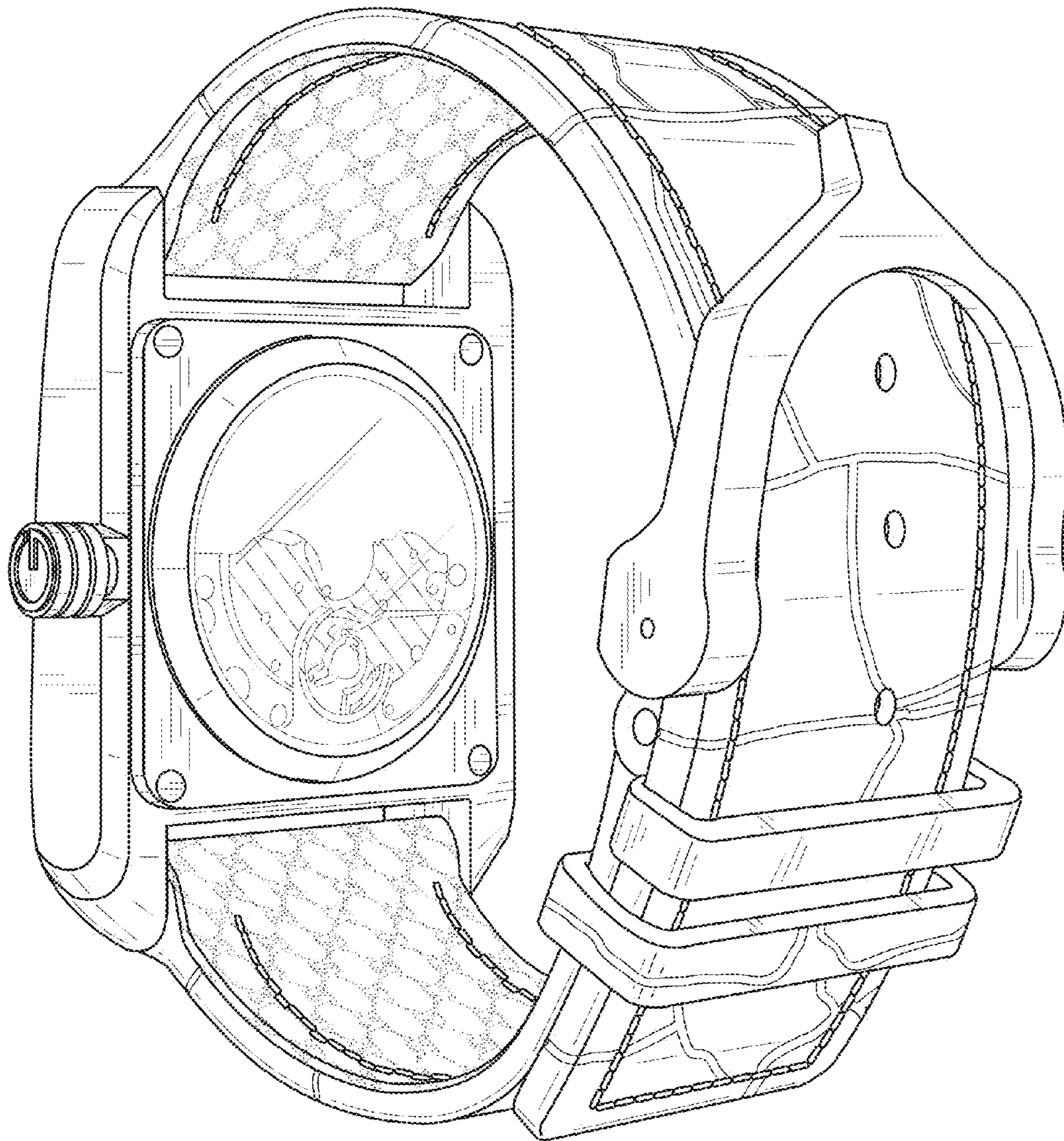


FIG. 2

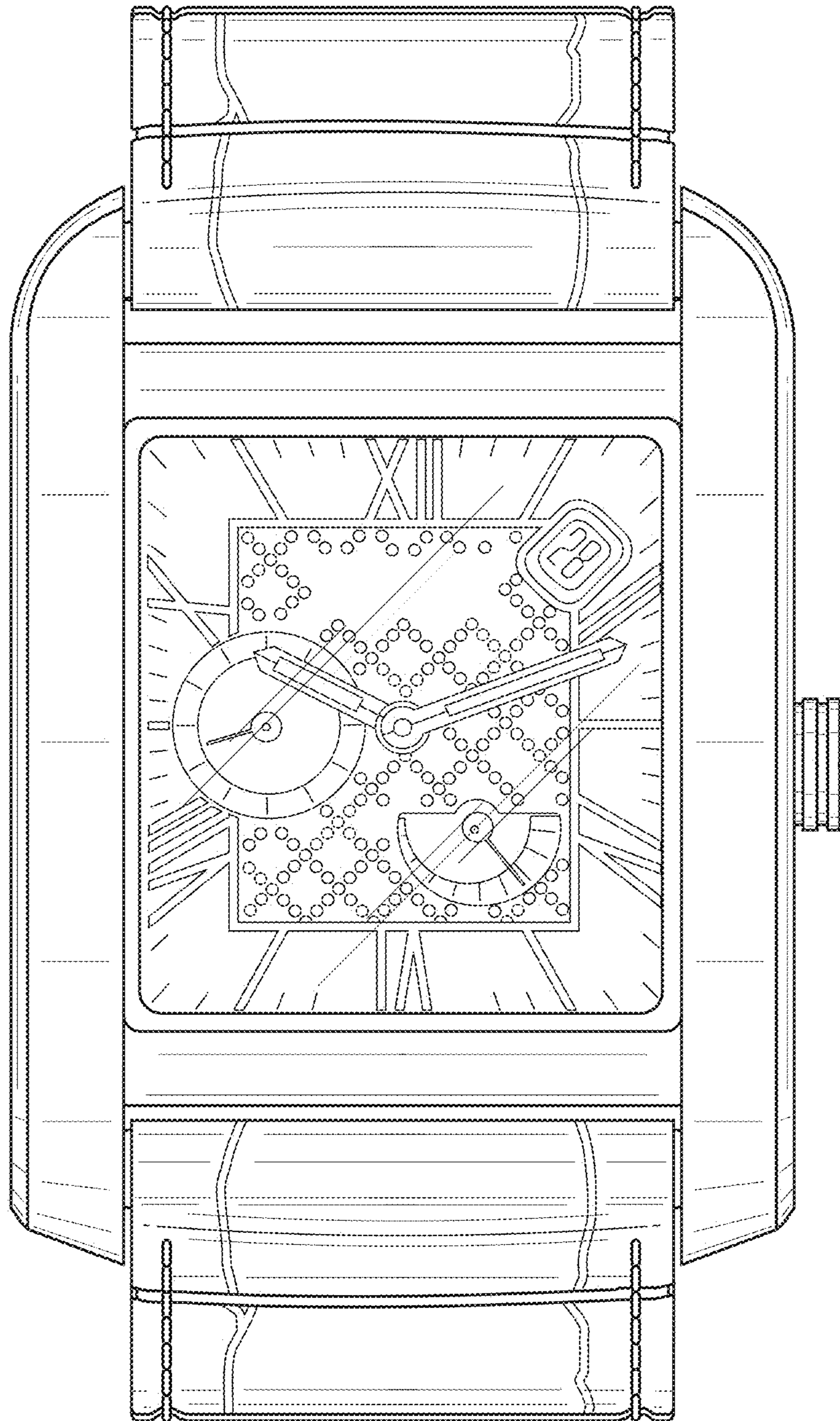


FIG. 3

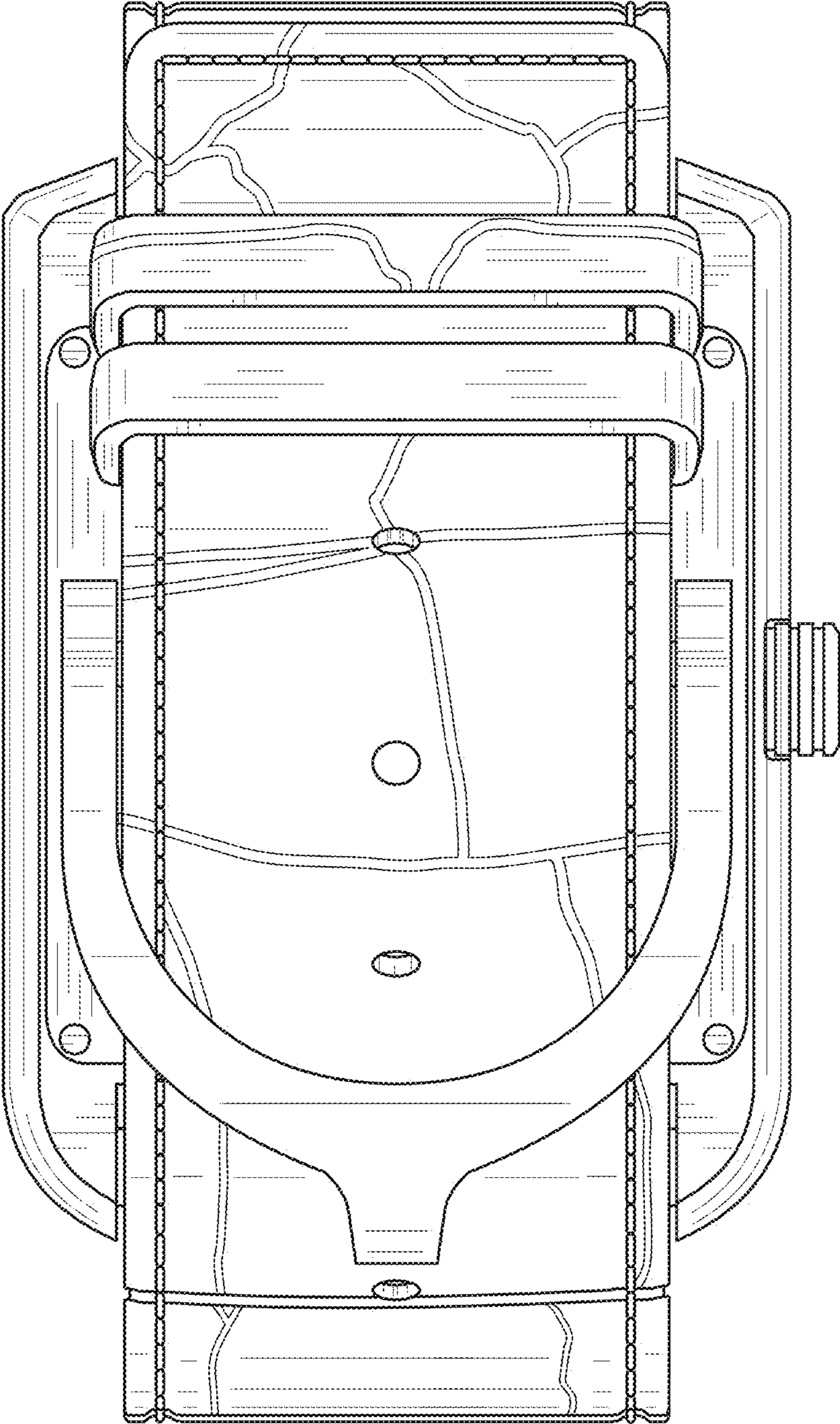


FIG. 4

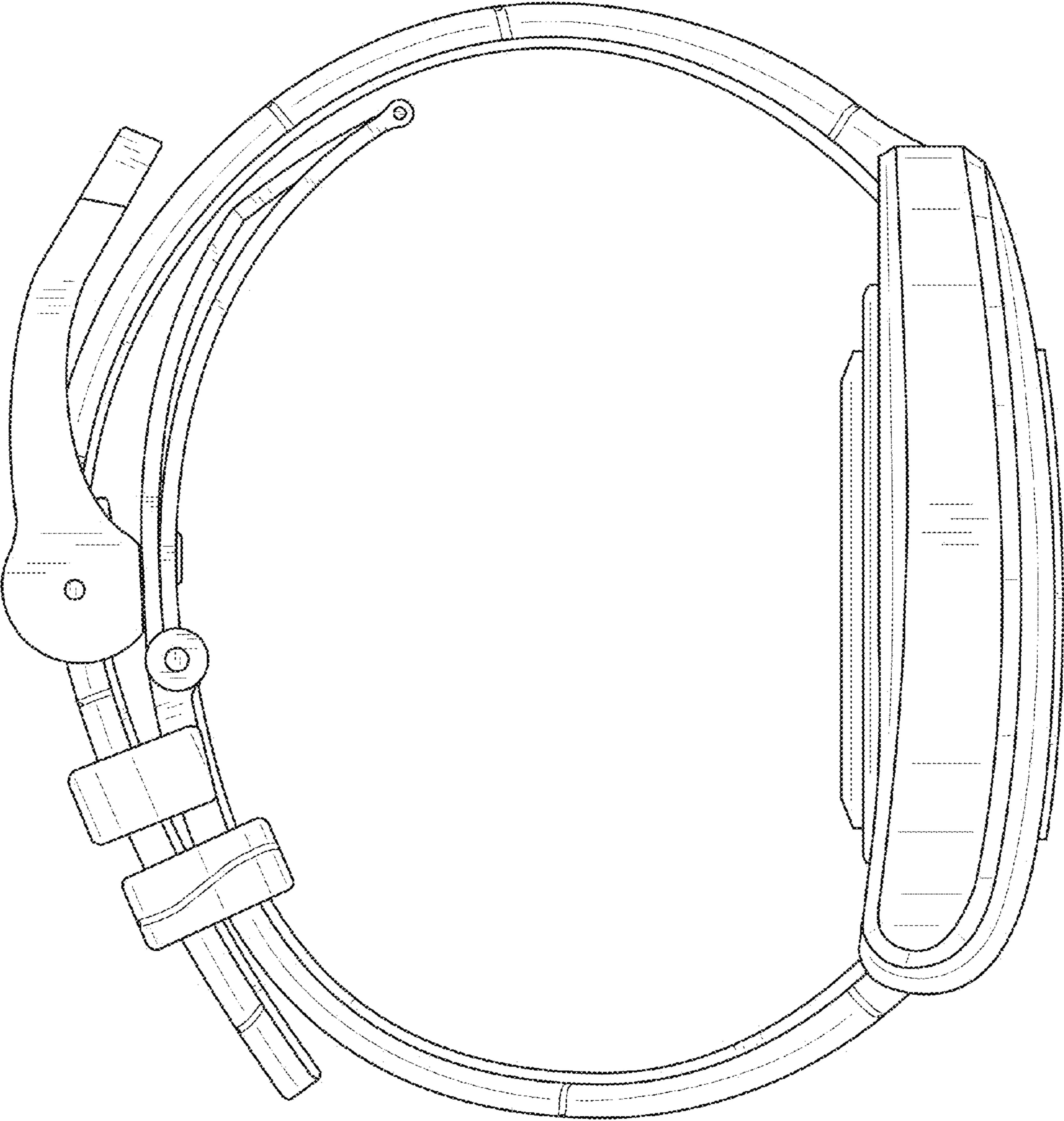


FIG. 5

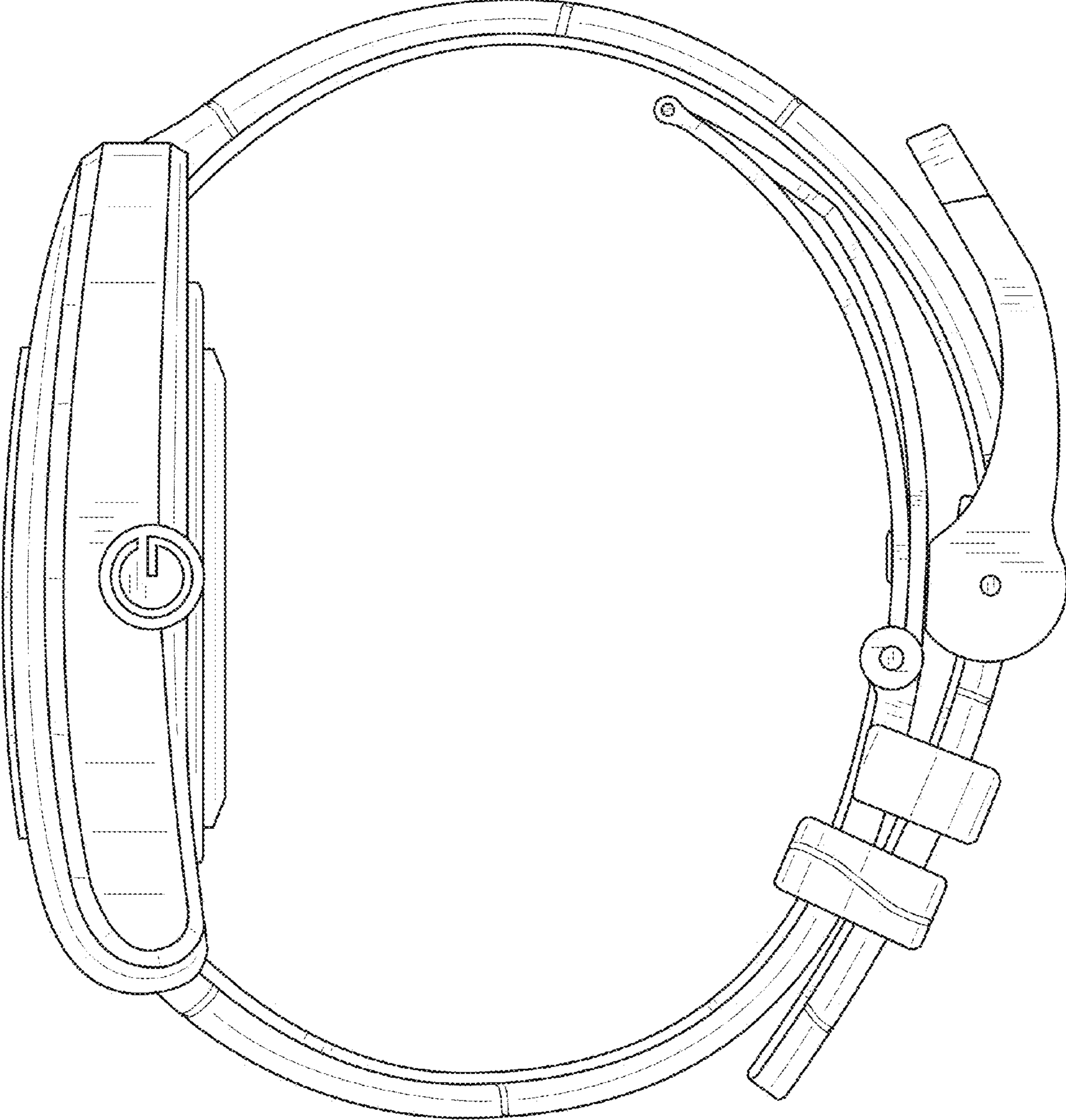


FIG. 6

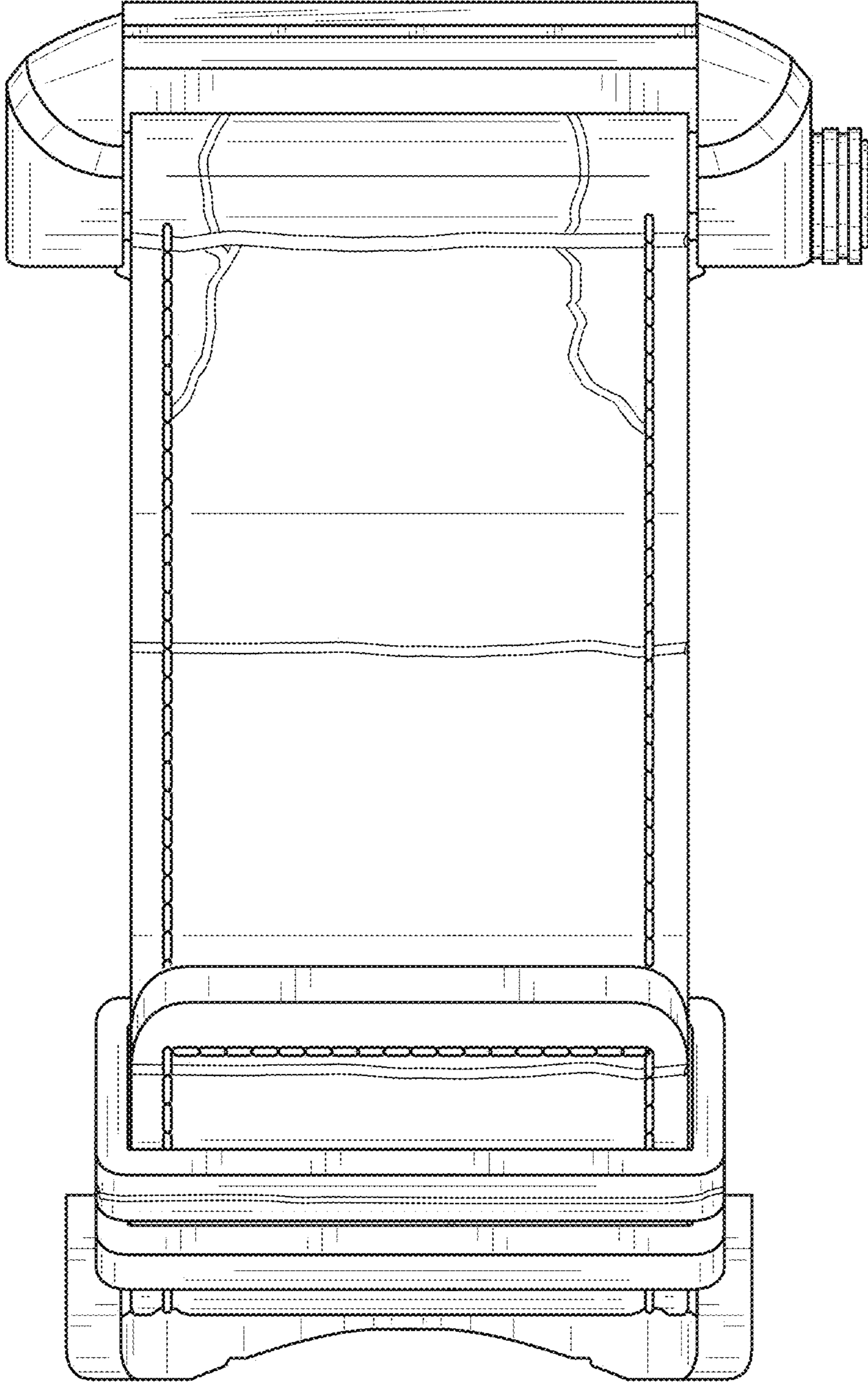


FIG. 7

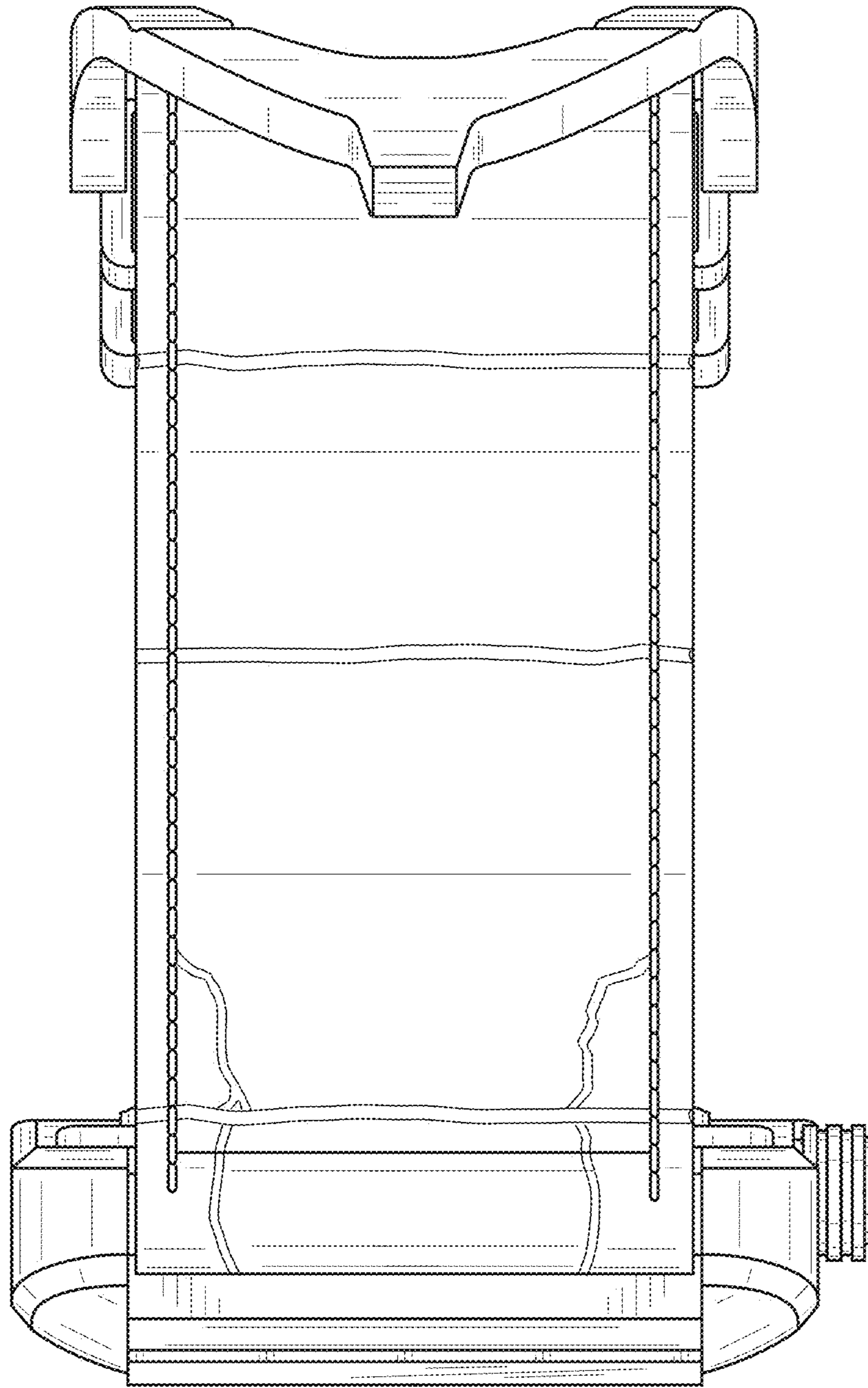


FIG. 8