



US00D741202S

(12) **United States Design Patent**
Goto

(10) **Patent No.:** **US D741,202 S**

(45) **Date of Patent:** **** Oct. 20, 2015**

(54) **WRIST WATCH**

(71) Applicant: **Casio Keisanki Kabushiki Kaisha,**
Tokyo (JP)

(72) Inventor: **Atsushi Goto,** Kunitachi (JP)

(73) Assignee: **CASIO KEISANKI KABUSHIKI**
KAISHA, Tokyo (JP)

(**) Term: **14 Years**

(21) Appl. No.: **29/462,644**

(22) Filed: **Aug. 6, 2013**

(30) **Foreign Application Priority Data**

Mar. 29, 2013 (CN) 2013 3 0090118

(51) **LOC (10) Cl.** **10-02**

(52) **U.S. Cl.**
USPC **D10/30; D10/39**

(58) **Field of Classification Search**

USPC D10/30-39, 1-29, 122-132
CPC G04B 19/00; G04B 19/04; G04B 19/06;
G04B 19/10; G04B 19/22; G04B 19/24;
G04B 19/26; G04B 37/00; G04B 37/0008;
G04B 37/084; G04B 37/225; G04B 45/00;
G04B 45/0069; G04G 17/00; G04G 17/08
See application file for complete search history.

(56) **References Cited**

U.S. PATENT DOCUMENTS

D434,988 S * 12/2000 Kojima D10/30
D497,109 S * 10/2004 Itsubo D10/30
D508,860 S * 8/2005 Plan D10/39

D526,216 S * 8/2006 Tomimatsu D10/39
D526,578 S * 8/2006 Ikezu et al. D10/38
D534,084 S * 12/2006 Linde D10/39
D542,155 S * 5/2007 Yamamoto et al. D10/31
7,355,556 B2 * 4/2008 Abe et al. 343/788
D573,488 S * 7/2008 Sanz D10/39
D652,326 S * 1/2012 Kummer D10/38
D658,080 S * 4/2012 Syoubayashi et al. D10/38
D658,081 S * 4/2012 Akagi et al. D10/39
D663,222 S * 7/2012 Nakai et al. D10/39
D664,450 S * 7/2012 Syoubayashi D10/39
D685,666 S * 7/2013 Nakai D10/131
2004/0145975 A1 * 7/2004 Barras et al. 368/281
2012/0075964 A1 * 3/2012 Hirayama 368/281

* cited by examiner

Primary Examiner — Martie K Holtje

(74) *Attorney, Agent, or Firm* — Holtz, Holtz, Goodman & Chick PC

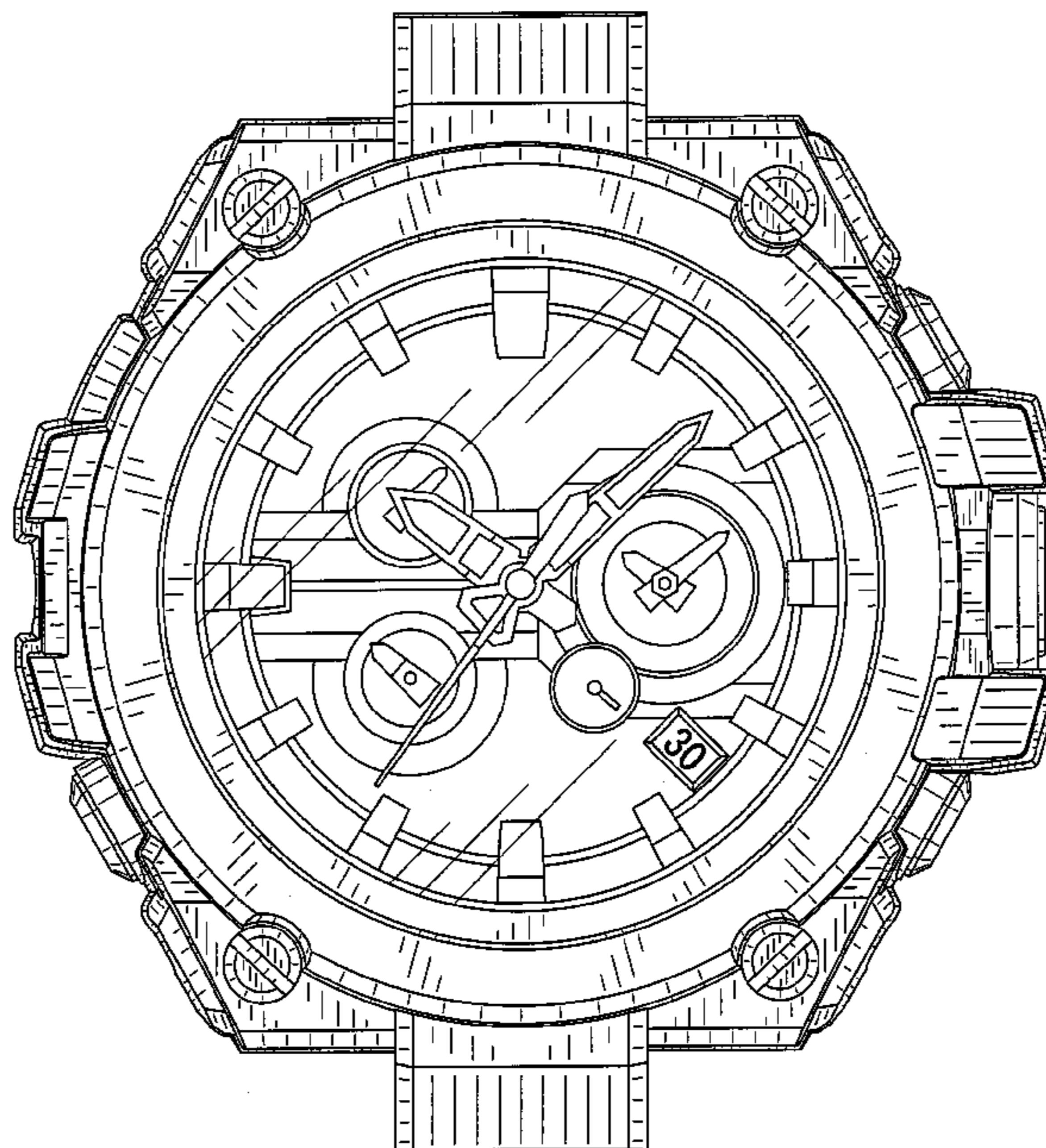
(57) **CLAIM**

The ornamental design for a wrist watch, as shown and described.

DESCRIPTION

FIG. 1 is a front, right side, bottom perspective view of a wrist watch showing my new design;
FIG. 2 is a front elevational view thereof;
FIG. 3 is a rear elevational view thereof;
FIG. 4 is a left side view thereof;
FIG. 5 is a right side view thereof;
FIG. 6 is a top plan view thereof; and,
FIG. 7 is a bottom plan view thereof.
The structural elements depicted by broken lines in the drawings have been shown for the purpose of illustrating portions of the wrist watch that form no part of the claimed design.

1 Claim, 6 Drawing Sheets



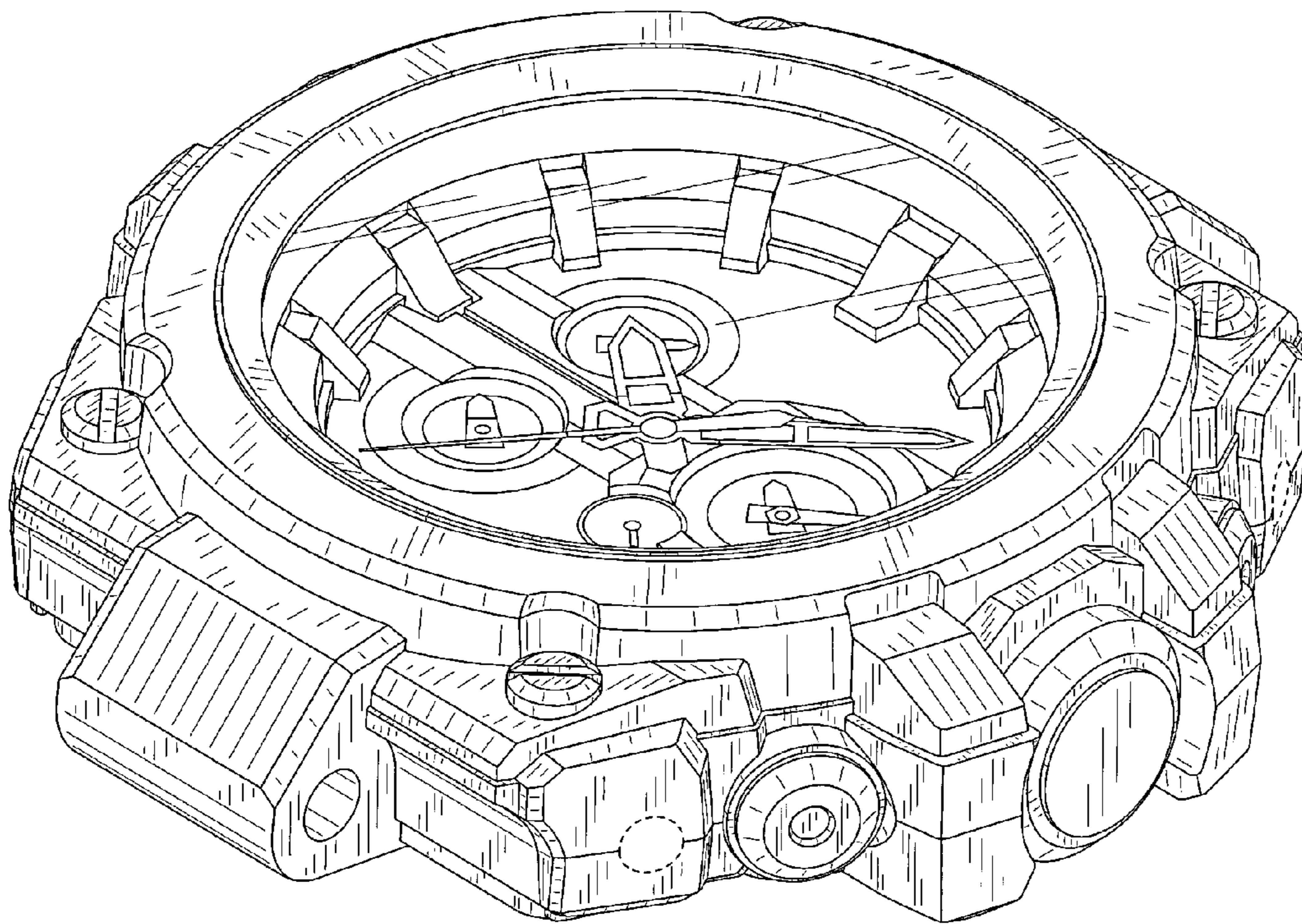


FIG. 1

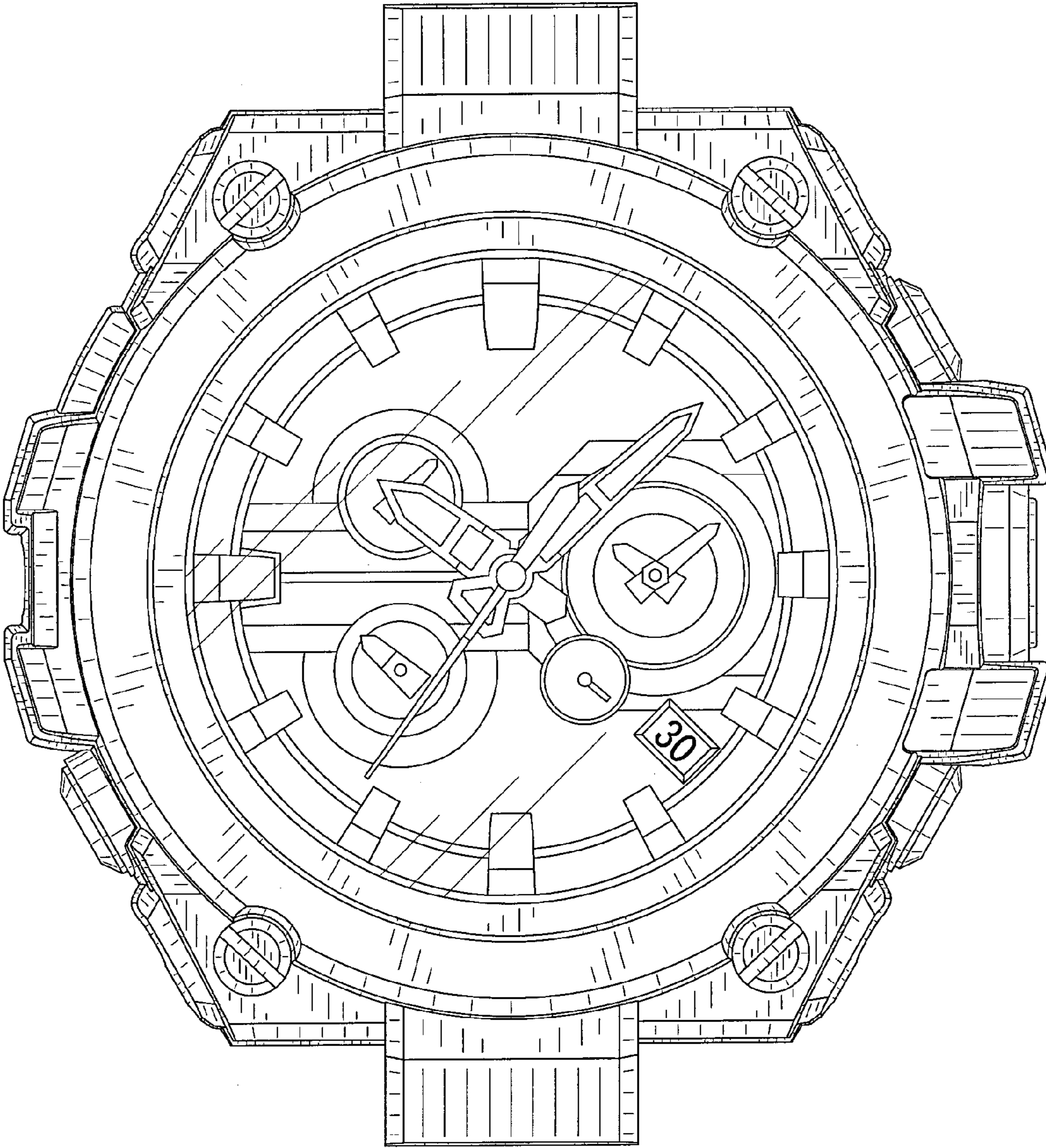


FIG. 2

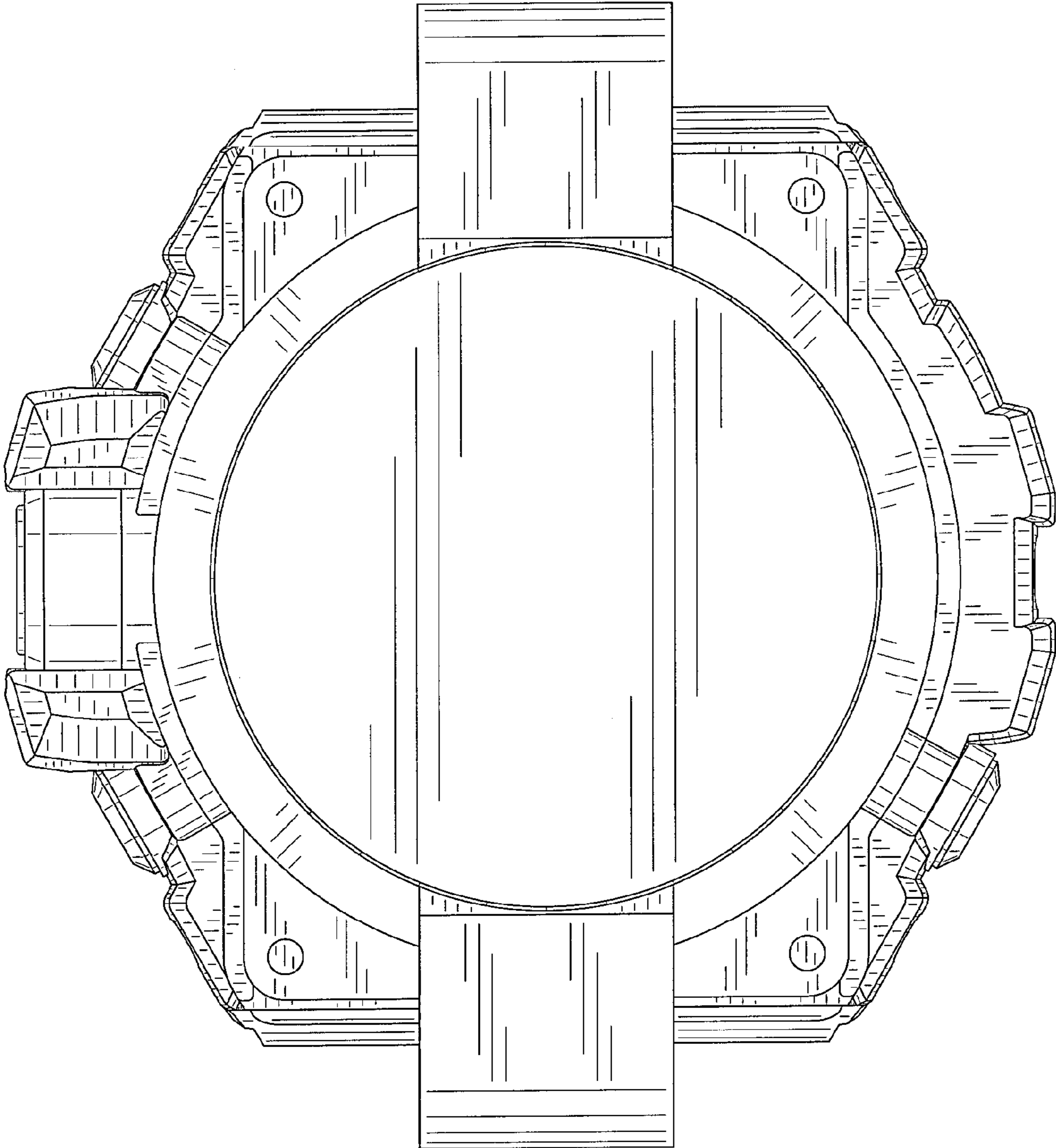


FIG. 3

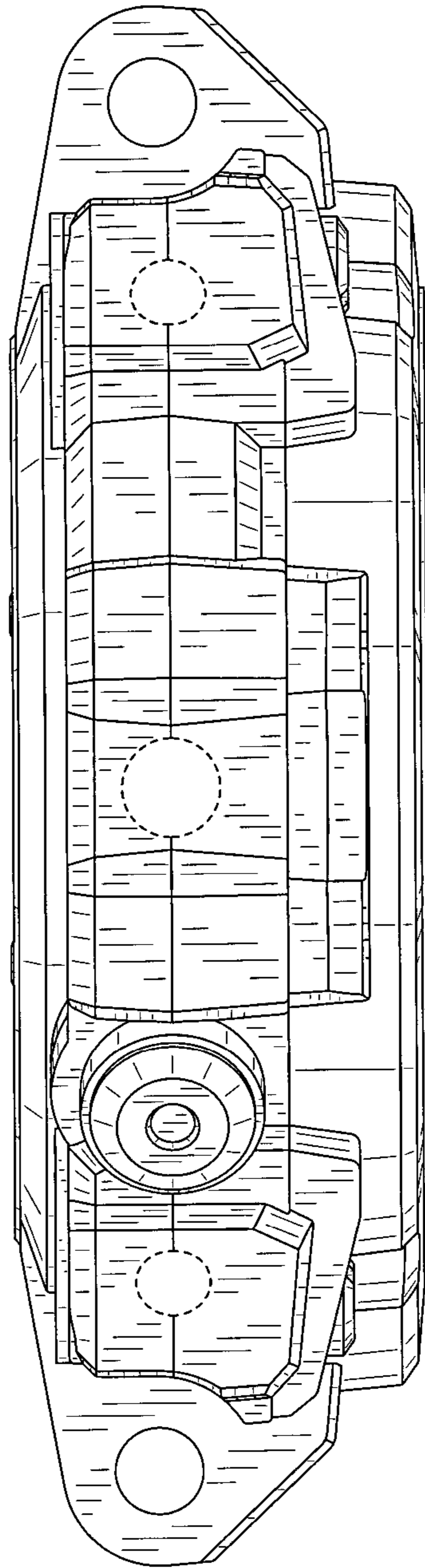


FIG. 4

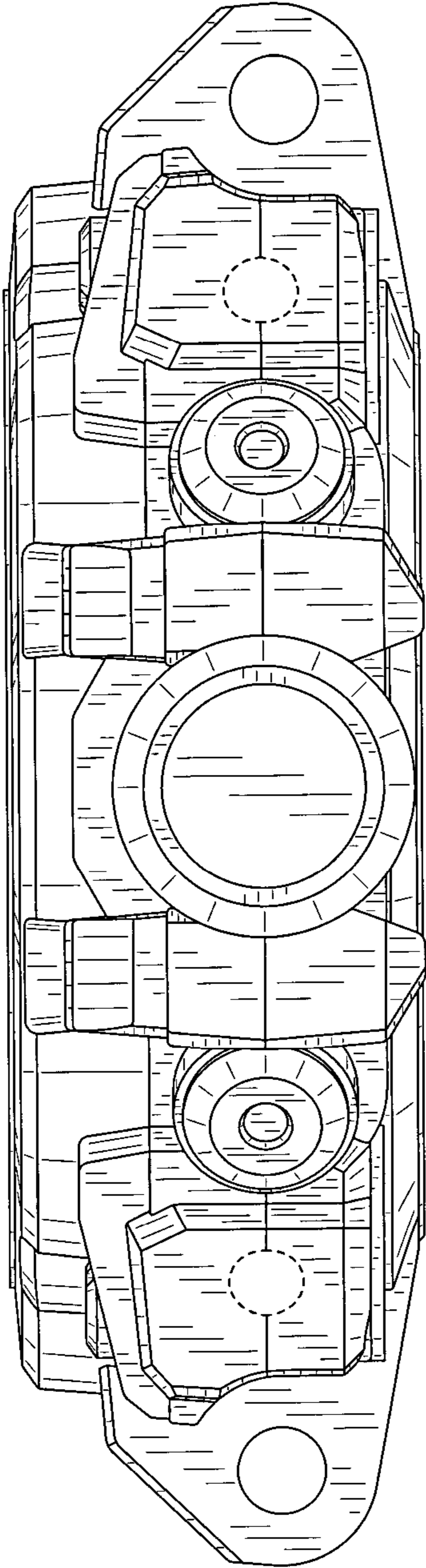


FIG. 5

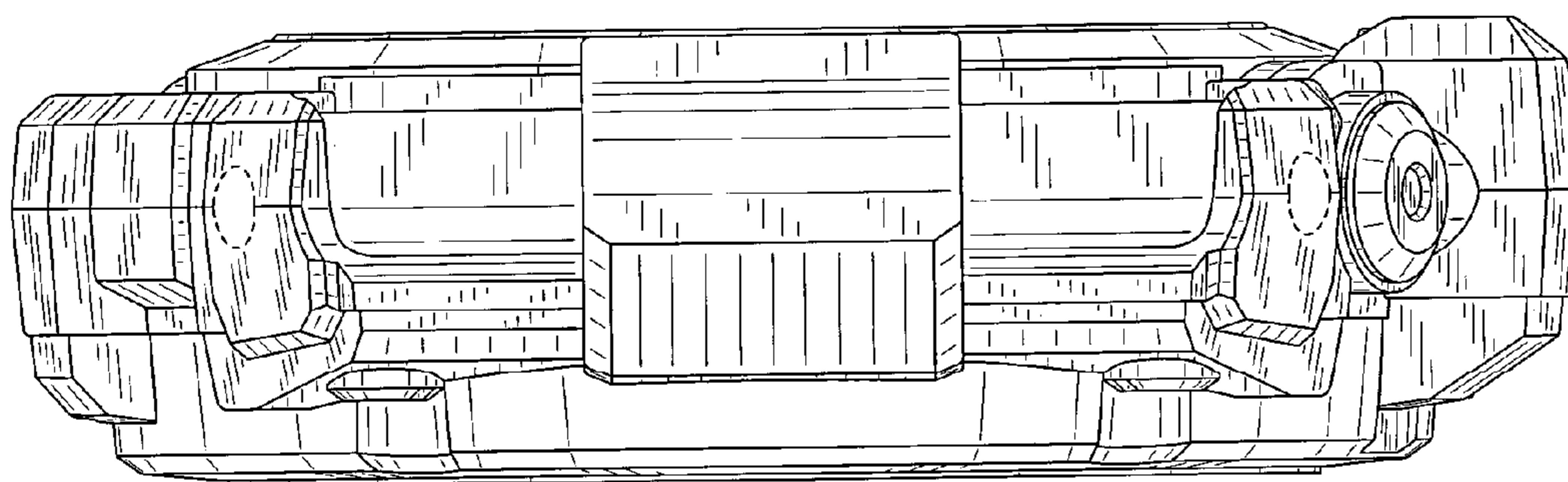


FIG. 6

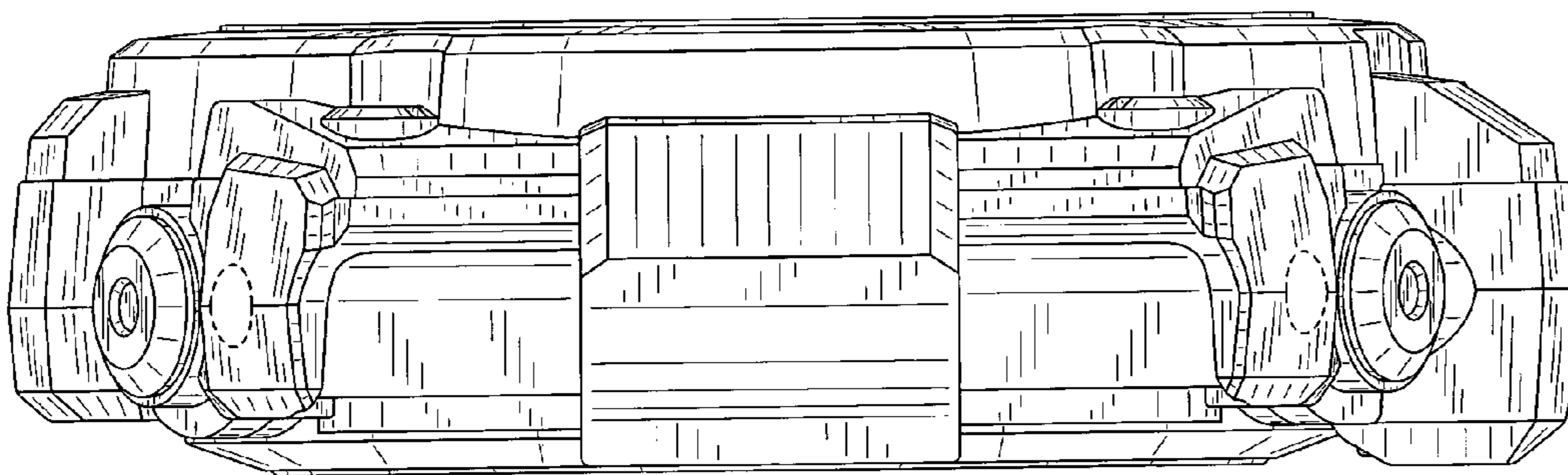


FIG. 7