



US00D741201S

(12) **United States Design Patent**
McSweeney et al.

(10) **Patent No.:** **US D741,201 S**
(45) **Date of Patent:** **** Oct. 20, 2015**

(54) **CONNECTED SINGLE-SERVE CONTAINERS**

(56) **References Cited**

(71) Applicant: **Mars, Incorporated**, McLean, VA (US)

U.S. PATENT DOCUMENTS

(72) Inventors: **Jonathan Lee McSweeney**, Antioch, TN (US); **David Matthew Craig**, Thompsons Station, TN (US); **Jason Lee Brown**, Franklin, TN (US); **Daniel Lynn Preusser**, Union, MO (US)

D9,661 S *	12/1876	Heuacker	D7/555
D213,387 S *	2/1969	Cronhein	D7/409
D220,749 S *	5/1971	Artz	D9/761
D241,622 S *	9/1976	Smith	D9/760
D273,765 S *	5/1984	Cillario	D9/761
D273,842 S *	5/1984	Jeannin	D9/758
D290,232 S *	6/1987	Holzkopf et al.	D9/424
D371,940 S *	7/1996	Krupa	D7/549
D386,075 S *	11/1997	Hayes et al.	D9/761
D393,798 S *	4/1998	Joswick	D9/737
D430,023 S *	8/2000	Shurtleff et al.	D9/425

(73) Assignee: **MARS, INC.**, McLean, VA (US)

(Continued)

(**) Term: **14 Years**

OTHER PUBLICATIONS

(21) Appl. No.: **29/453,563**

Mars Containers. (Design - © Questel). orbit.com [online PDF] 52 pages. Upload ranges from Oct. 2, 2013-2014 [retrieved on Apr. 7, 2015]. Retrieved from Internet: <<http://sobjprd.questel.fr/export/QPTUJ214/pdf2/099c057d-aea7-4681-bc1f-2f0adeca8f30-173955.pdf>>.*

(22) Filed: **Apr. 30, 2013**

(51) **LOC (10) Cl.** **09-03**

(52) **U.S. Cl.**
USPC **D9/756**

(58) **Field of Classification Search**
USPC D9/737, 748, 749, 754, 755, 700, 686, D9/688, 689, 390, 424, 425, 434, 435, 454, D9/456; D3/201, 203.1, 203.2, 203.3, D3/203.4, 203.5, 203.6, 203.7, 203.8, 205, D3/273, 275, 294, 302; 206/228, 354, 553, 206/557, 541, 775, 776, 119, 470, 508, 206/521.1, 545; D7/509, 513, 354, 392.1, D7/394, 396.1, 538, 543-545, 550.1, 551, D7/554.3, 587, 566, 575, 584, 586, 619, D7/629, 667; D24/104, 226, 230; 229/400-406, 932, 906.1
CPC B65D 77/24; B65D 77/0433; B65D 81/3862; B65D 1/34; B65D 81/3813; B65D 5/48; B65D 5/48024; B65D 5/5069; B65D 25/00

Primary Examiner — Susan Bennett Hattan
Assistant Examiner — Marie Fast Horse
(74) *Attorney, Agent, or Firm* — Arent Fox LLP

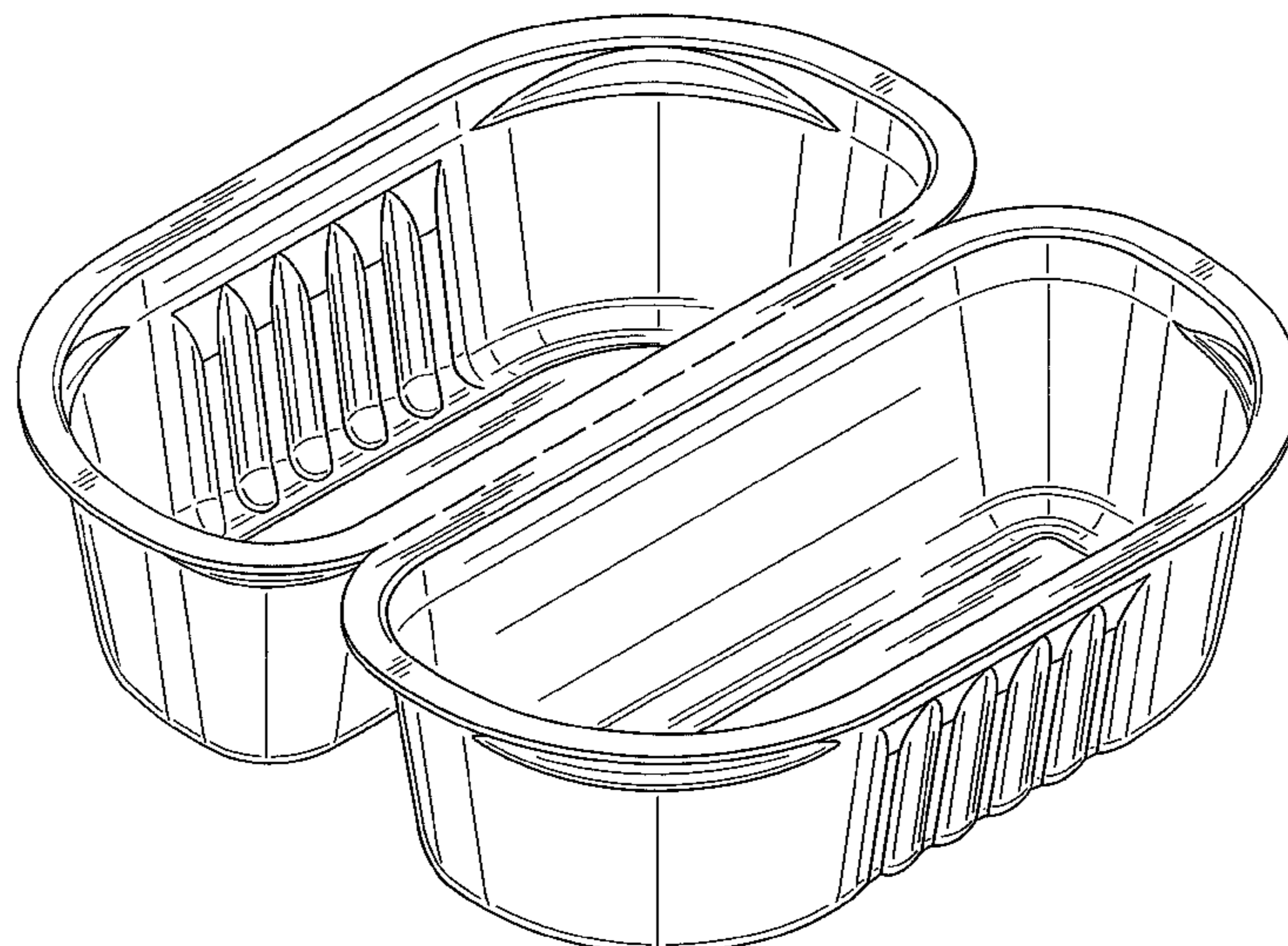
(57) **CLAIM**
The ornamental design for connected single-serve containers, as shown and described.

DESCRIPTION

FIG. 1 is a perspective view of connected single-serve containers showing our new design; FIG. 2 is a front view of the design shown in FIG. 1, the back view being a mirror image thereof; FIG. 3 is a left side view of the design shown in FIG. 1, the right side view being a mirror image thereof; FIG. 4 is a top view of the design shown in FIG. 1; and, FIG. 5 is a bottom view of the design shown in FIG. 1. The long dashes seen in-between the connected single-serve containers depict perforations and form a part of the claimed design.

See application file for complete search history.

1 Claim, 5 Drawing Sheets



(56)

References Cited

U.S. PATENT DOCUMENTS

D437,220 S *	2/2001	Knutson et al.	D9/430	D569,193 S *	5/2008	El Ghouyel	D7/602
D448,130 S *	9/2001	Wagner	D32/53.1	D581,266 S *	11/2008	Vovan	D9/429
D456,707 S *	5/2002	Agarwal	D9/717	D585,735 S *	2/2009	Vovan et al.	D9/426
D461,123 S *	8/2002	Hayes et al.	D9/429	D587,993 S *	3/2009	Vovan	D9/416
6,619,501 B2 *	9/2003	Hayes et al.	220/608	D588,937 S *	3/2009	Pelletier et al.	D9/781
D485,942 S *	1/2004	McLeish	D28/8.1	D592,497 S *	5/2009	Brown	D9/424
D504,325 S *	4/2005	Vovan	D9/761	D595,154 S *	6/2009	Nicholson et al.	D9/737
D505,335 S *	5/2005	Grenda	D9/737	D601,014 S *	9/2009	Petitjean	D9/426
D524,645 S *	7/2006	LaMasney	D9/429	D627,221 S *	11/2010	Kovatch	D9/429
D527,626 S *	9/2006	Weiss et al.	D9/425	D643,309 S *	8/2011	Birchmeier et al.	D9/759
D531,029 S *	10/2006	Gomoll et al.	D9/435	D667,734 S *	9/2012	Goodman	D9/737
D536,992 S *	2/2007	Garg et al.	D9/737	8,328,043 B2 *	12/2012	Kessell et al.	220/666
D537,718 S *	3/2007	Gomoll et al.	D9/452	D673,447 S *	1/2013	Freeman et al.	D9/424
D553,010 S *	10/2007	Cutts et al.	D9/761	D710,701 S *	8/2014	Lai	D9/456
					D713,741 S *	9/2014	Wilmers	D9/761
					2009/0321292 A1 *	12/2009	Prudden et al.	206/354

* cited by examiner

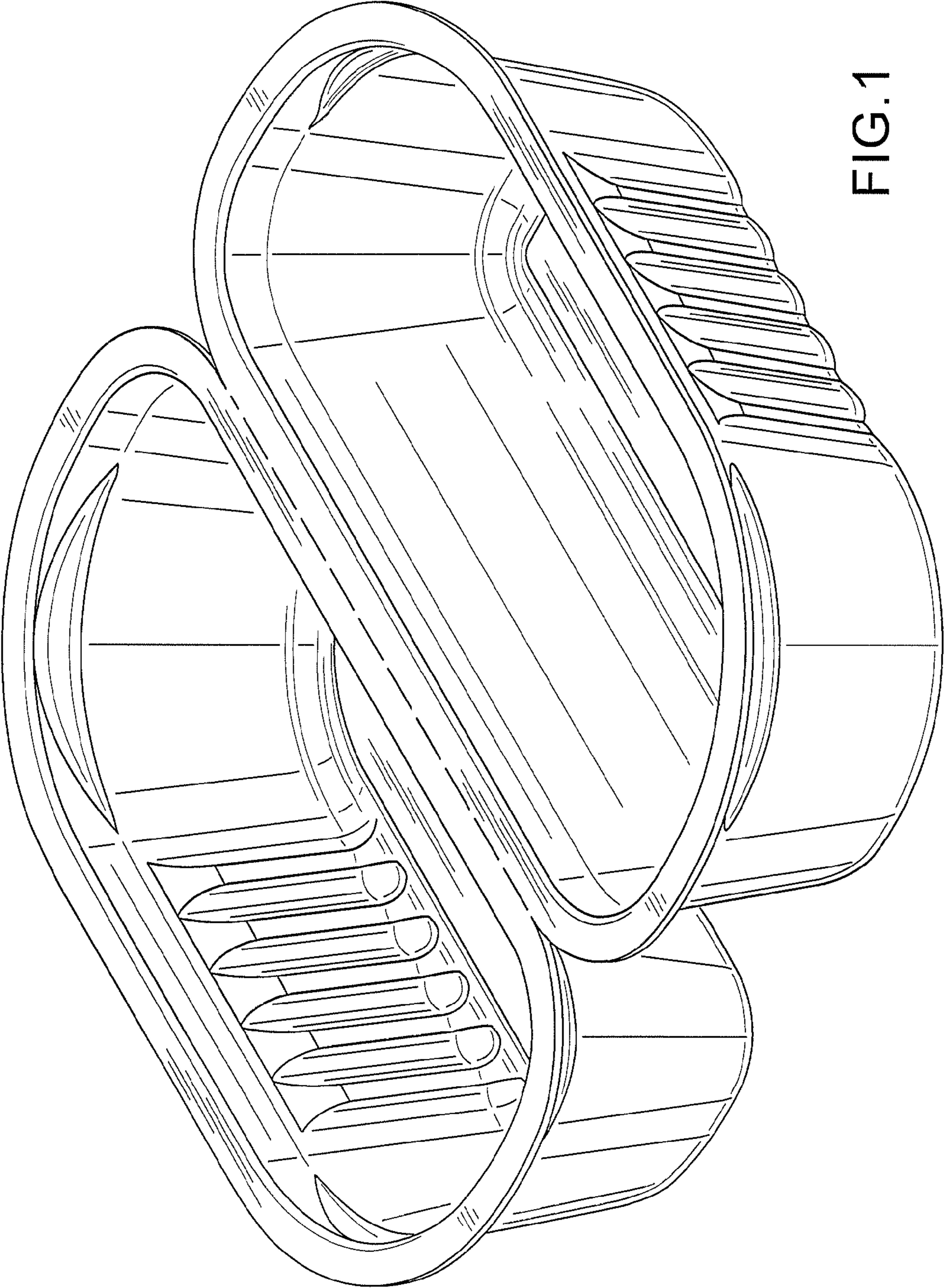


FIG.1

FIG. 2

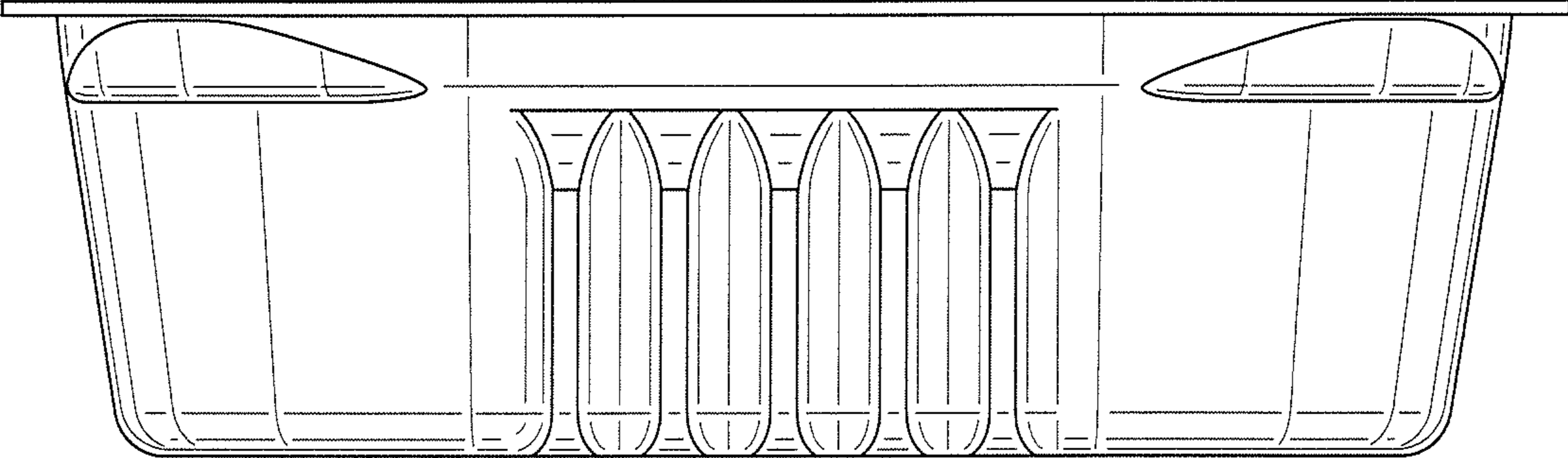


FIG. 3

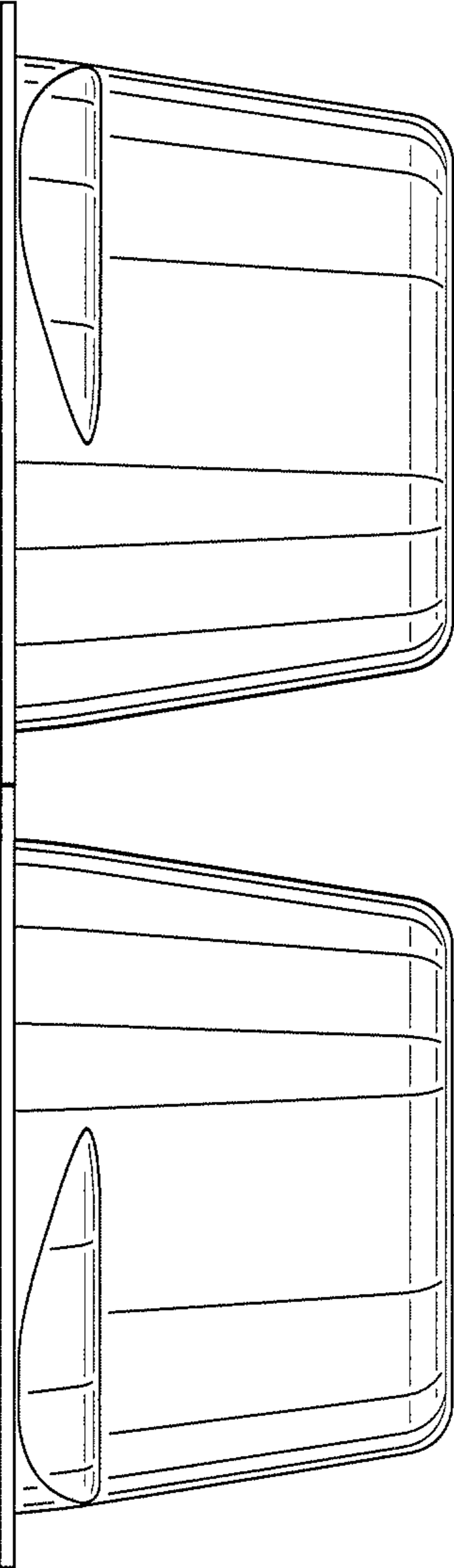


FIG.4

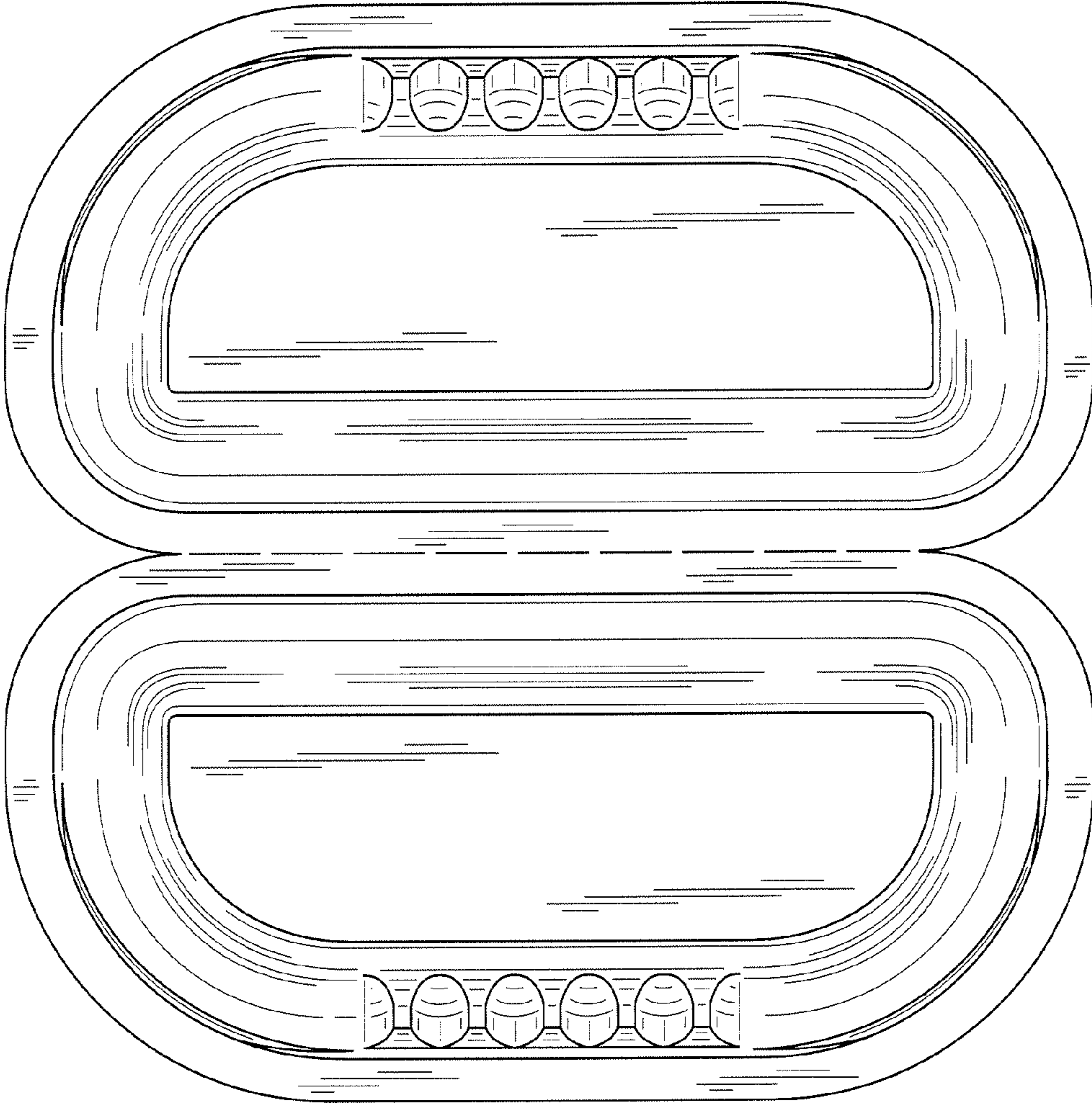


FIG. 5

