



US00D741199S

(12) **United States Design Patent**
Flury

(10) **Patent No.:** **US D741,199 S**
(45) **Date of Patent:** **** Oct. 20, 2015**

(54) **PACKAGING FOR A DENTAL COMPONENT**

(71) Applicant: **Straumann Holding AG**, Basel (CH)

(72) Inventor: **Peter Flury**, Basel (CH)

(73) Assignee: **Straumann Holding AG**, Basel (CH)

(**) Term: **14 Years**

(21) Appl. No.: **29/446,182**

(22) Filed: **Feb. 21, 2013**

(30) **Foreign Application Priority Data**

Oct. 30, 2012 (WO) 700140801

(51) **LOC (10) Cl.** **09-03**

(52) **U.S. Cl.**
USPC **D9/737**; D9/457; D9/756

(58) **Field of Classification Search**
USPC D9/737, 748, 749, 754, 755, 756-758,
D9/760, 761, 700, 686, 688, 689, 390, 424,
D9/425, 434, 435, 454, 456; D3/304, 318,
D3/326, 901; D24/231; D28/73, 91.1;
206/368, 438, 63.5, 572; D7/550.1,
D7/553.1, 553.5, 553.6, 554.1, 554.2, 629
CPC B65D 1/34; B65D 81/3813; B65D 5/48;
B65D 5/48024; B65D 5/5069; B65D 25/00;
B65D 77/24; B65D 77/0433; B65D 81/3862;
A61B 19/026; A61B 19/0256; A61B 19/0271
See application file for complete search history.

(56) **References Cited**

U.S. PATENT DOCUMENTS

D164,624 S * 9/1951 Chaplin D9/456
D213,178 S * 1/1969 Nearing D9/456
D273,369 S * 4/1984 Fantozzi D9/436
D281,660 S * 12/1985 Trudeau et al. D7/584
5,106,297 A * 4/1992 Discko, Jr. 433/77

5,174,306 A * 12/1992 Marshall 128/849
D341,779 S * 11/1993 Lewis D9/435
D363,429 S * 10/1995 Lee D9/454
D366,417 S * 1/1996 Semersky D9/434
D366,614 S * 1/1996 Semersky et al. D9/434
5,593,062 A * 1/1997 Martin 220/574.1
5,695,057 A * 12/1997 Sullivan 206/418
5,947,278 A * 9/1999 Sawhney et al. 206/216
D483,999 S * 12/2003 Beachum et al. D7/553.6
D513,588 S * 1/2006 Vovan D9/455
D518,377 S * 4/2006 Kortleven D9/435
D526,852 S * 8/2006 Littlejohn et al. D7/553.6
D527,261 S * 8/2006 Hornke D9/454
7,207,801 B2 * 4/2007 Vogt et al. 433/173
D547,657 S * 7/2007 Tacchella D9/454

(Continued)

OTHER PUBLICATIONS

Straumann—User Manual for Sterile Closure Screw package, 2012.
(Continued)

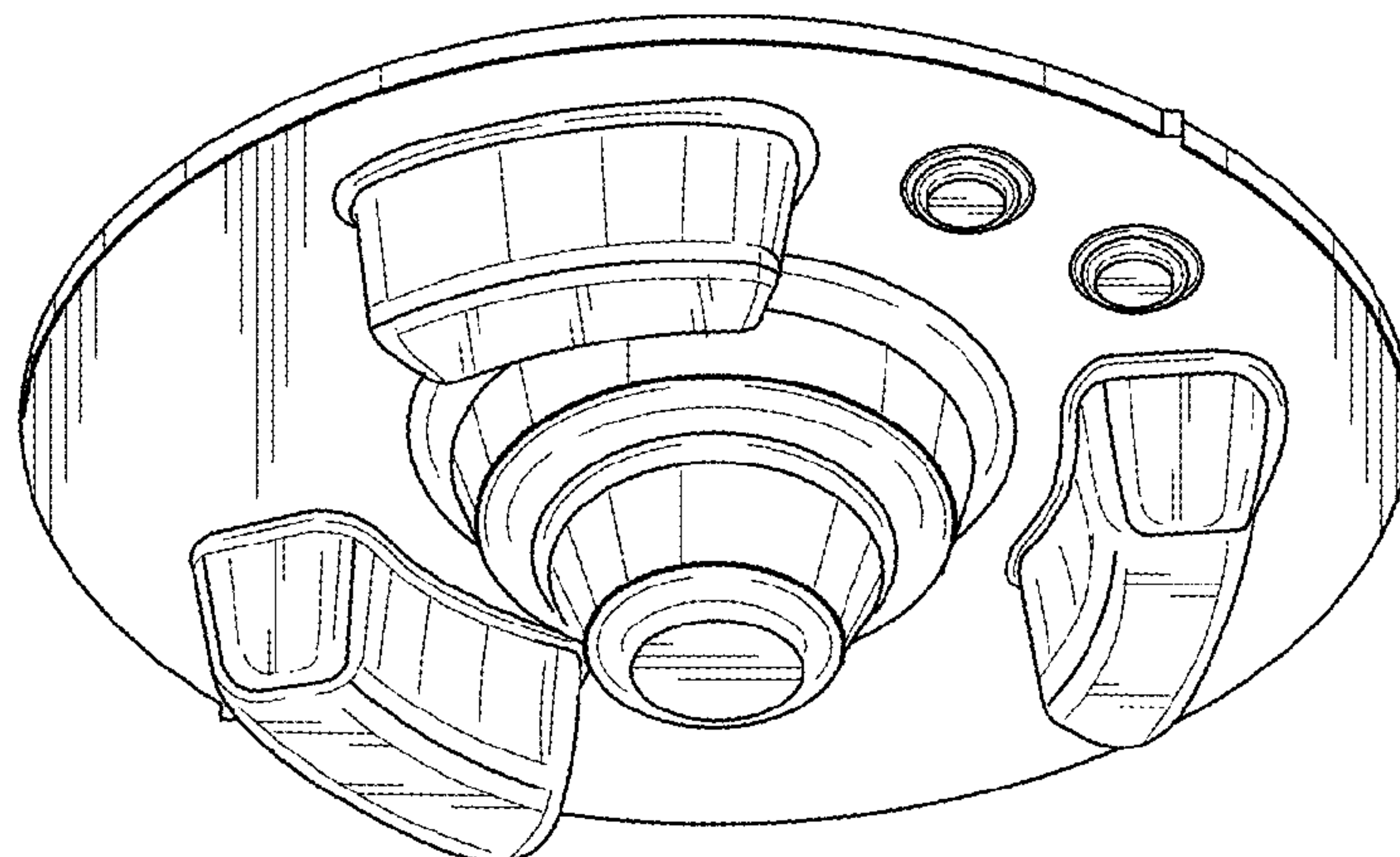
Primary Examiner — Susan Bennett Hattan
Assistant Examiner — Marie Fast Horse
(74) *Attorney, Agent, or Firm* — Novak Druce Connolly
Bove + Quigg LLP

(57) **CLAIM**
The ornamental design for packaging for a dental component,
as shown and described.

DESCRIPTION

FIG. 1 is a perspective view of packaging for a dental component according to our new design;
FIG. 2 is a top plan view thereof;
FIG. 3 is a bottom plan view thereof;
FIG. 4 is a front elevational view thereof;
FIG. 5 is a right side elevational view thereof, the left side elevational view being a mirror image of FIG. 5; and,
FIG. 6 is a rear elevational view thereof.

1 Claim, 3 Drawing Sheets



(56)

References Cited

U.S. PATENT DOCUMENTS

D561,588 S * 2/2008 Gilfert D9/456
 D568,110 S * 5/2008 Epstein D7/553.6
 D573,466 S * 7/2008 White et al. D9/456
 D581,786 S * 12/2008 Scheve D9/435
 D582,265 S * 12/2008 Helfman D9/425
 D587,999 S * 3/2009 Schulthess D9/434
 D591,149 S * 4/2009 Bonner et al. D9/434
 7,568,579 B2 * 8/2009 Moore 206/368
 D609,564 S * 2/2010 Paine D9/434
 D621,698 S * 8/2010 Cometto D9/424
 D622,591 S * 8/2010 Biesecker et al. D9/435
 D625,994 S * 10/2010 Krupa D9/424
 D628,485 S * 12/2010 Golota et al. D9/456
 D630,512 S * 1/2011 Venier D9/456
 D632,173 S * 2/2011 Makita D9/447
 D632,960 S * 2/2011 Gilfert D9/456
 D636,668 S * 4/2011 Maddy D9/434
 D646,984 S * 10/2011 Moore et al. D9/737
 D652,290 S * 1/2012 Lonergan et al. D9/424
 D653,963 S * 2/2012 Golota et al. D9/737
 D672,231 S * 12/2012 Snedden et al. D9/424

D672,236 S * 12/2012 Zomorodi et al. D9/435
 D677,162 S * 3/2013 Sharma et al. D9/454
 D691,857 S * 10/2013 Muspratt-Williams
 et al. D7/553.6
 D691,880 S * 10/2013 Larson et al. D9/424
 D692,749 S * 11/2013 Larson et al. D9/424
 D698,665 S * 2/2014 Sifuentes et al. D9/761
 D700,509 S * 3/2014 Shirley et al. D9/424
 D702,548 S * 4/2014 Flury D9/425
 D703,044 S * 4/2014 Chou D9/435
 D709,767 S * 7/2014 Morrison et al. D9/456
 D712,739 S * 9/2014 Lapsker D9/435
 D718,621 S * 12/2014 Mitchell et al. D9/435
 D720,629 S * 1/2015 Snedden et al. D9/761
 D720,990 S * 1/2015 Jacobs et al. D9/435
 D722,266 S * 2/2015 Abe D9/435
 2006/0076256 A1 * 4/2006 Neidhardt 206/438
 2007/0172554 A1 * 7/2007 Blythe et al. 426/106
 2007/0172556 A1 * 7/2007 Berrysmith 426/106
 2007/0227919 A1 * 10/2007 True 206/219

OTHER PUBLICATIONS

3D drawings of Straumann Sterile Closure Screw package, 2012.

* cited by examiner

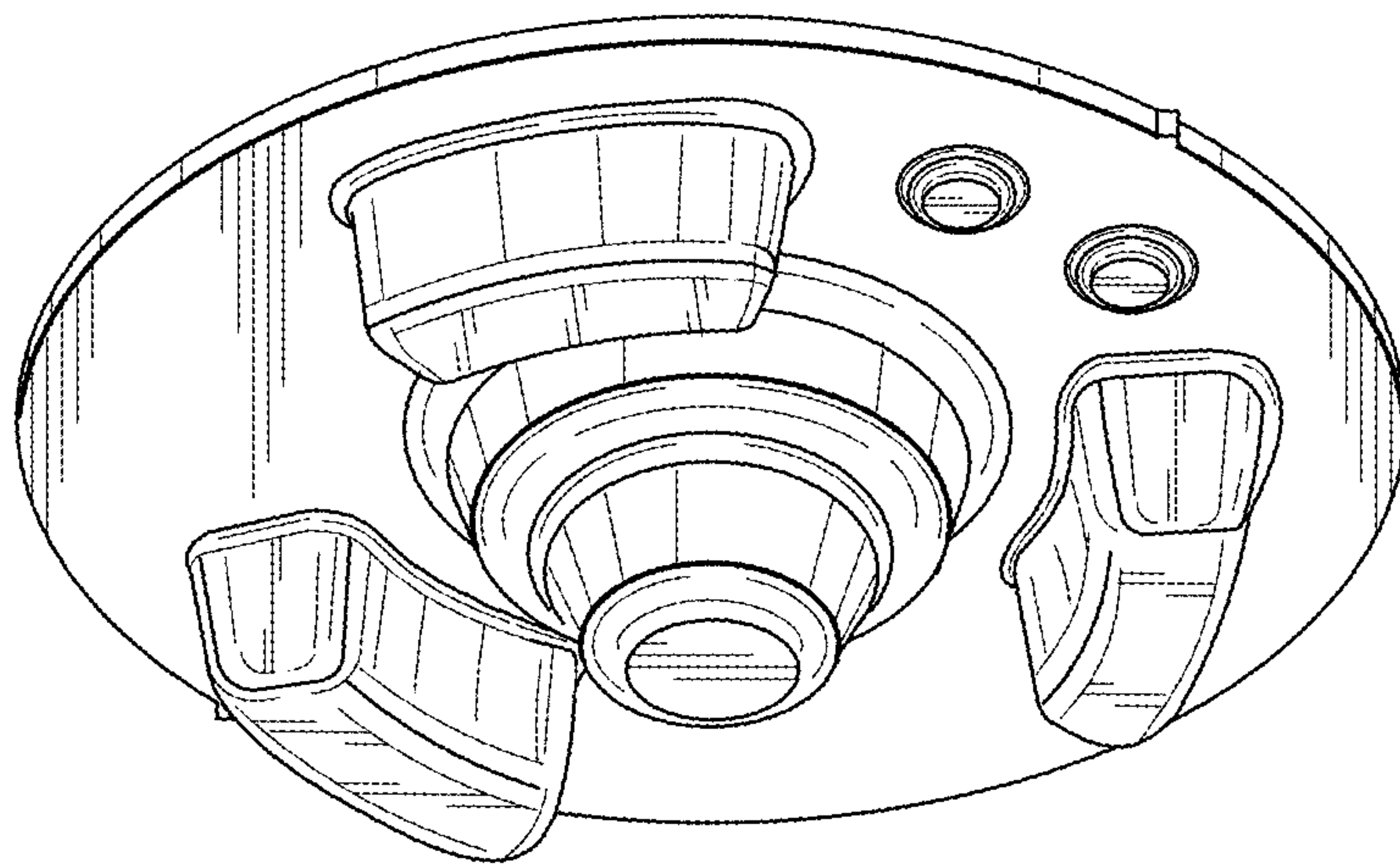


FIG. 1

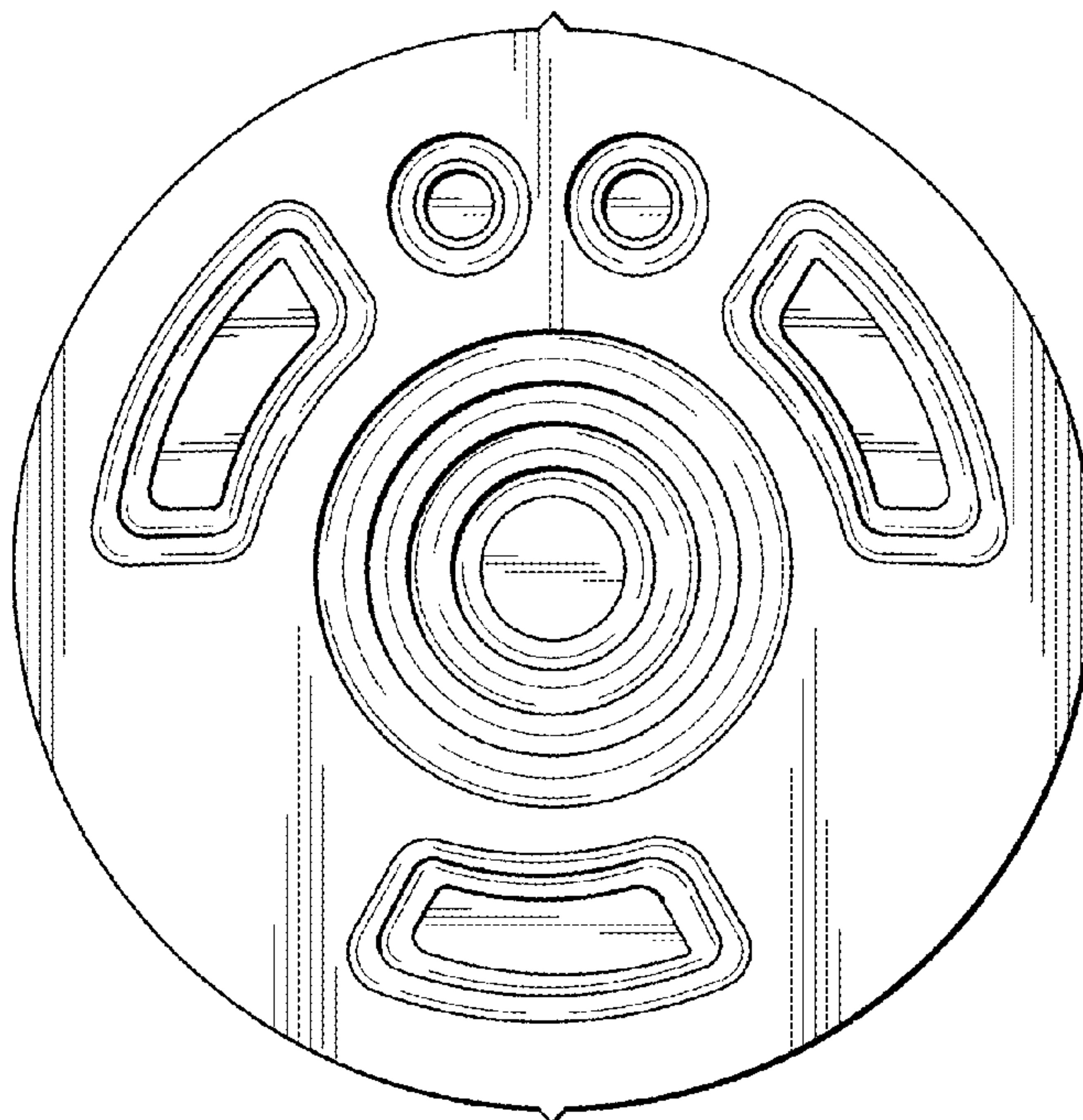


FIG. 2

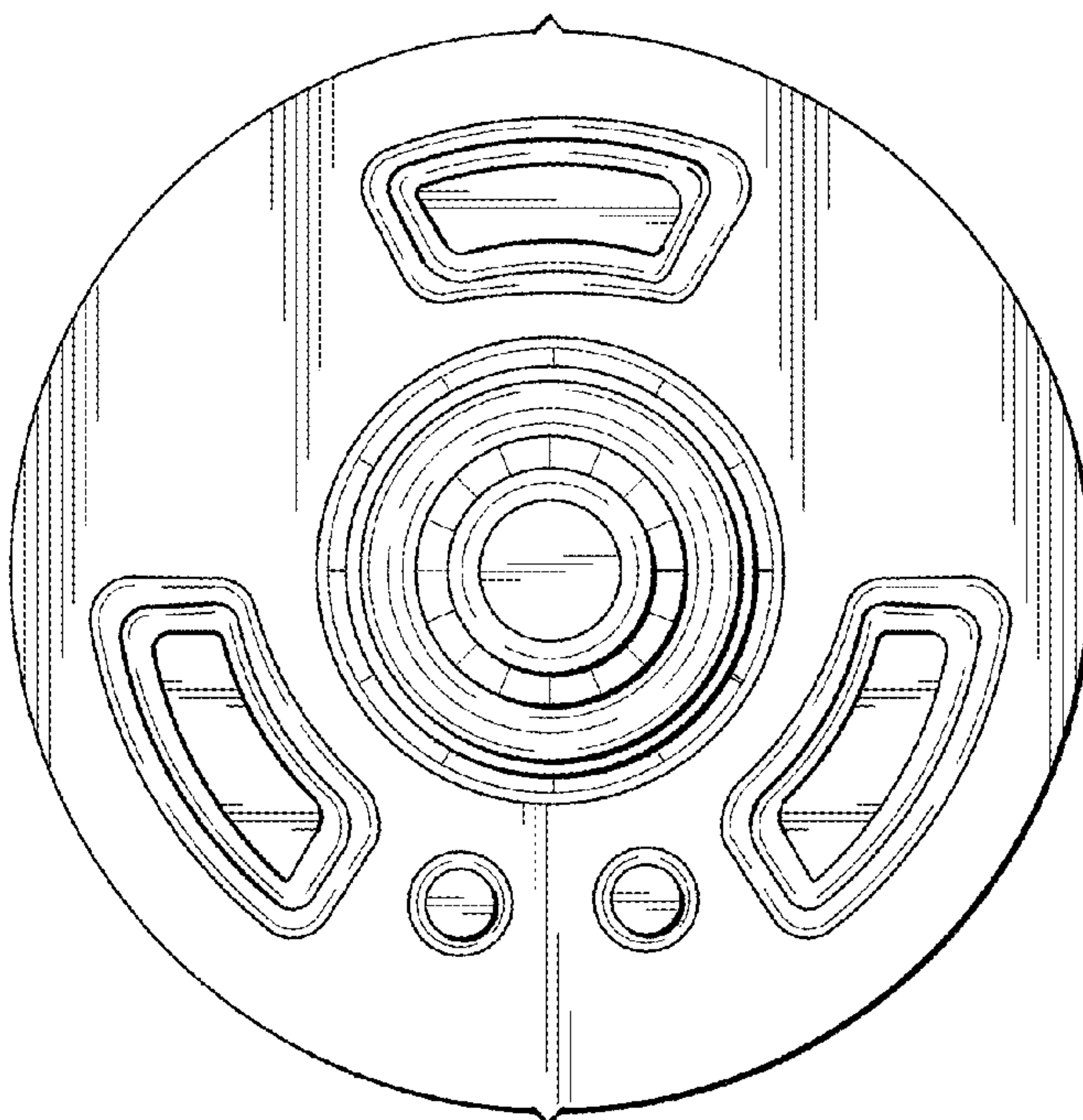


FIG. 3

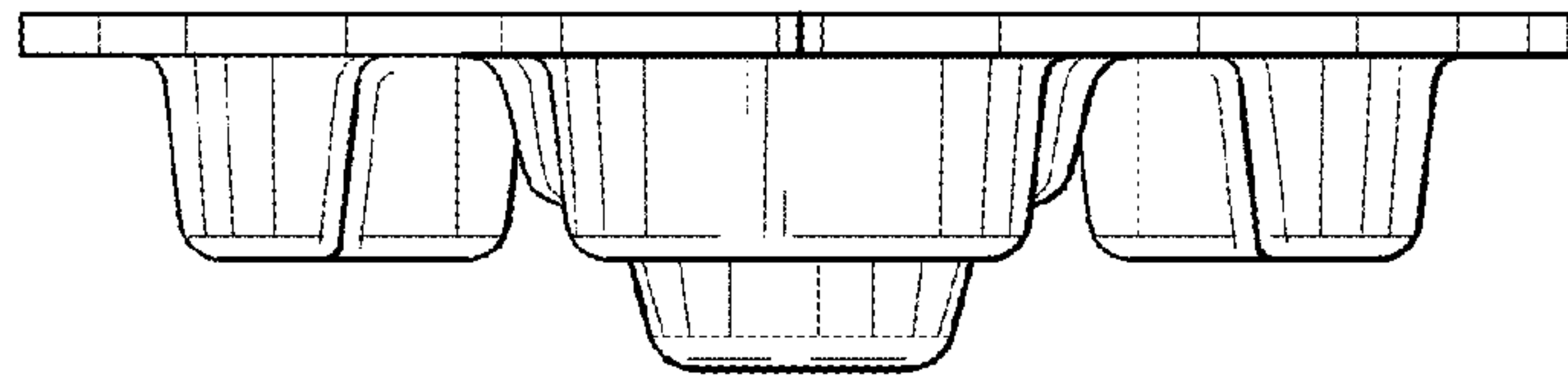


FIG. 4

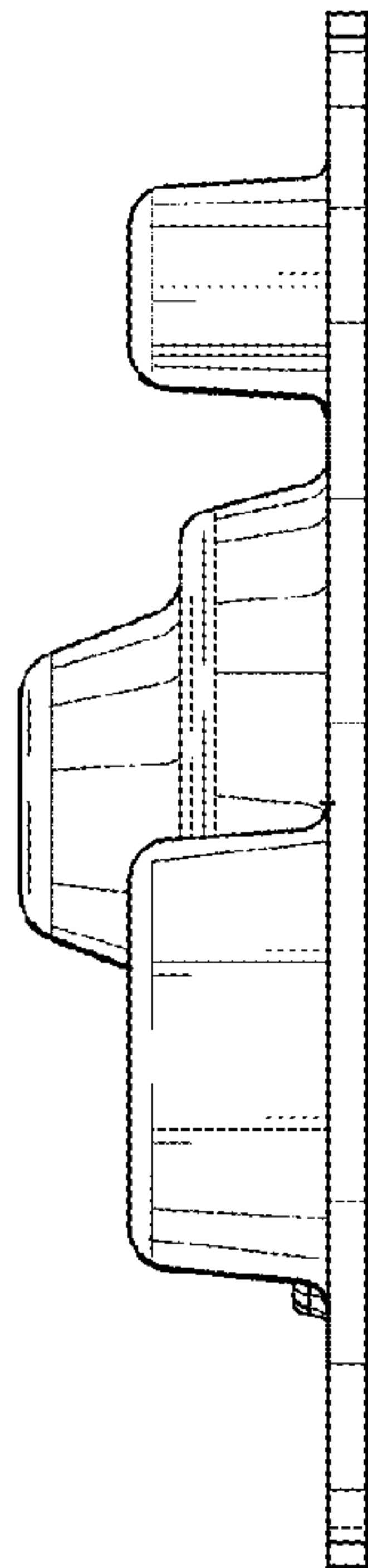


FIG. 5

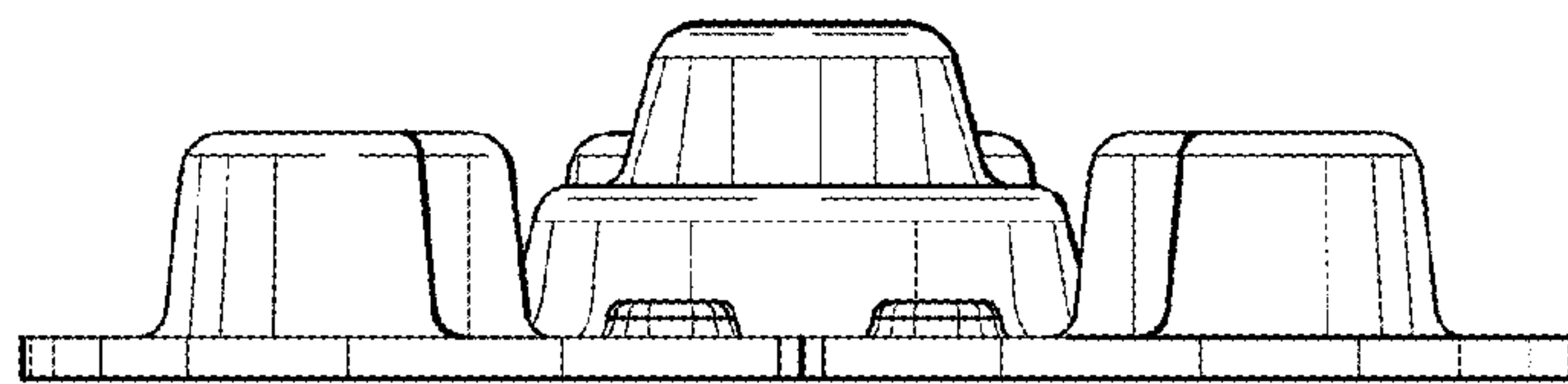


FIG. 6