



US00D741191S

(12) **United States Design Patent**  
**Babel**

(10) **Patent No.:** **US D741,191 S**

(45) **Date of Patent:** **\*\* Oct. 20, 2015**

(54) **COSMETIC WIPER**

(71) Applicant: **Schwan-STABILO Cosmetics GmbH & Co. KG**, Heroldsberg (DE)

(72) Inventor: **Guenter Babel**, Munich (DE)

(73) Assignee: **Schwan-Stabilo Cosmetics GmbH & CO. KG**, Heroldsberg (DE)

(\*\*) Term: **14 Years**

(21) Appl. No.: **29/483,473**

(22) Filed: **Feb. 28, 2014**

(30) **Foreign Application Priority Data**

Sep. 9, 2013 (EM) ..... 002304782-0001

(51) **LOC (10) Cl.** ..... **09-01**

(52) **U.S. Cl.**  
USPC ..... **D9/558; D28/76**

(58) **Field of Classification Search**  
USPC ..... D4/132-135; D9/422, 426, 430, 431,  
D9/516, 519, 521, 527, 528, 529, 530, 544,  
D9/545, 549, 551, 552, 564, 565, 715, 719,  
D9/723, 727, 738, 740, 746; D24/119;  
D28/7, 73, 76, 82, 99; 132/108;  
215/379, 382, 384; 220/660, 662, 666,  
220/669-673, 675; 401/202-207, 261-267  
See application file for complete search history.

(56) **References Cited**

**U.S. PATENT DOCUMENTS**

D330,859 S *	11/1992	Schaeffer	.....	D9/503
D345,630 S *	3/1994	Chevassus	.....	D28/85
D345,918 S *	4/1994	Chevassus	.....	D9/529
D345,919 S *	4/1994	Chevassus	.....	D9/529
D357,628 S *	4/1995	Vasas	.....	D9/503
D359,453 S *	6/1995	Gavin	.....	D9/522
D406,921 S *	3/1999	Roeder	.....	D28/7

D416,491 S *	11/1999	Gobe	.....	D9/558
D421,913 S *	3/2000	Meeker et al.	.....	D9/563
D441,293 S *	5/2001	Togasawa	.....	D9/529
D444,389 S *	7/2001	Bakic	.....	D9/539
D532,557 S *	11/2006	Bakic	.....	D28/76
D532,936 S *	11/2006	Bakic	.....	D28/76
D533,966 S *	12/2006	Bakic	.....	D28/76
D554,512 S *	11/2007	Nukuto et al.	.....	D9/529
D554,518 S *	11/2007	Cornet et al.	.....	D9/558
D575,456 S *	8/2008	Kadlubowski et al.	.....	D28/84
D605,049 S *	12/2009	Tanii et al.	.....	D9/529
D639,180 S *	6/2011	Shiota et al.	.....	D9/689
D658,068 S *	4/2012	Nawrocki	.....	D9/549
D726,012 S *	4/2015	Simard	.....	D9/521
D729,446 S *	5/2015	Babel	.....	D28/7
2006/0018704 A1 *	1/2006	Baines et al.	.....	401/213

\* cited by examiner

*Primary Examiner* — Susan Bennett Hattan

*Assistant Examiner* — Leanne Was

(74) *Attorney, Agent, or Firm* — Jura C. Zibas; Gregory N. Brescia; Wilson, Elser, Moskowitz, Edelman & Dicker, LLP.

(57) **CLAIM**

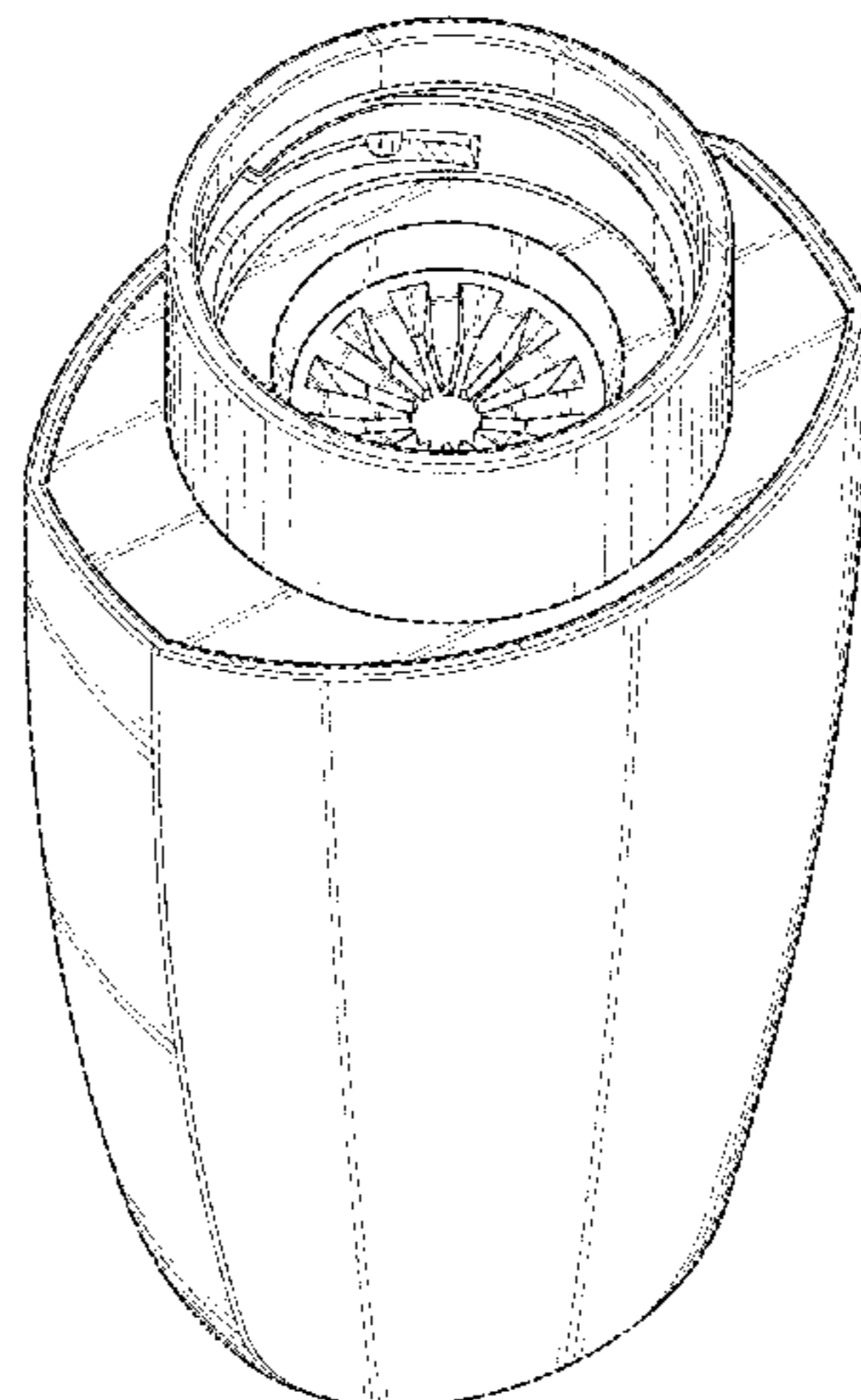
An ornamental design for a cosmetic wiper, as shown and described.

**DESCRIPTION**

FIG. 1 is a perspective view of a cosmetic wiper showing the new design;  
FIG. 2 is a side view of the cosmetic wiper shown in FIG. 1, the opposite side being a mirror image thereof;  
FIG. 3 a front view for the cosmetic wiper shown in FIG. 1, the opposite side being a mirror image thereof;  
FIG. 4 is a top view for the cosmetic wiper shown in FIG. 1; and,  
FIG. 5 is a bottom view for the cosmetic wiper shown in FIG. 1.

The broken lines in the drawings of the cosmetic wiper depict portions of the cosmetic wiper that form no part of the claimed design.

**1 Claim, 4 Drawing Sheets**



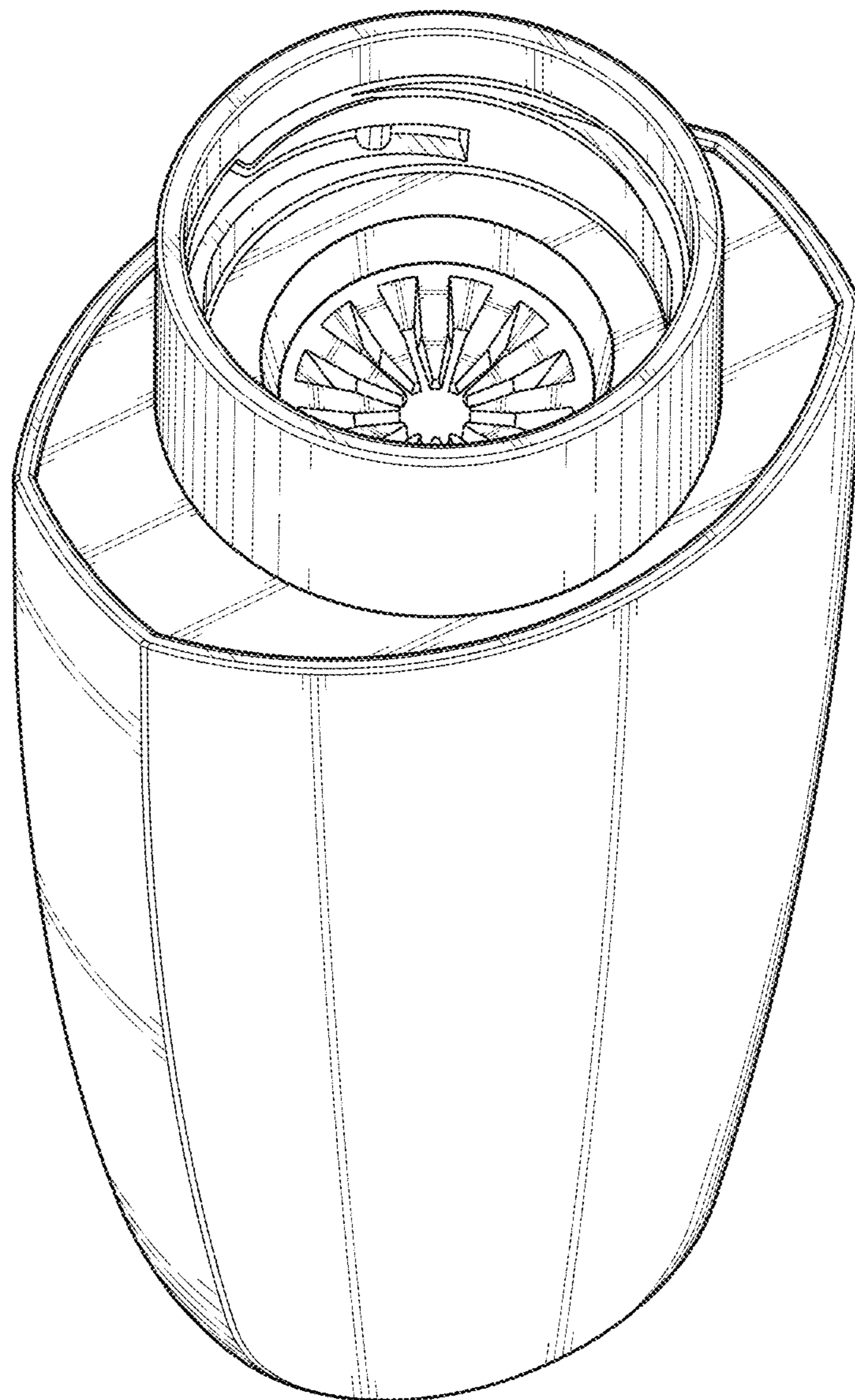


FIG. 1

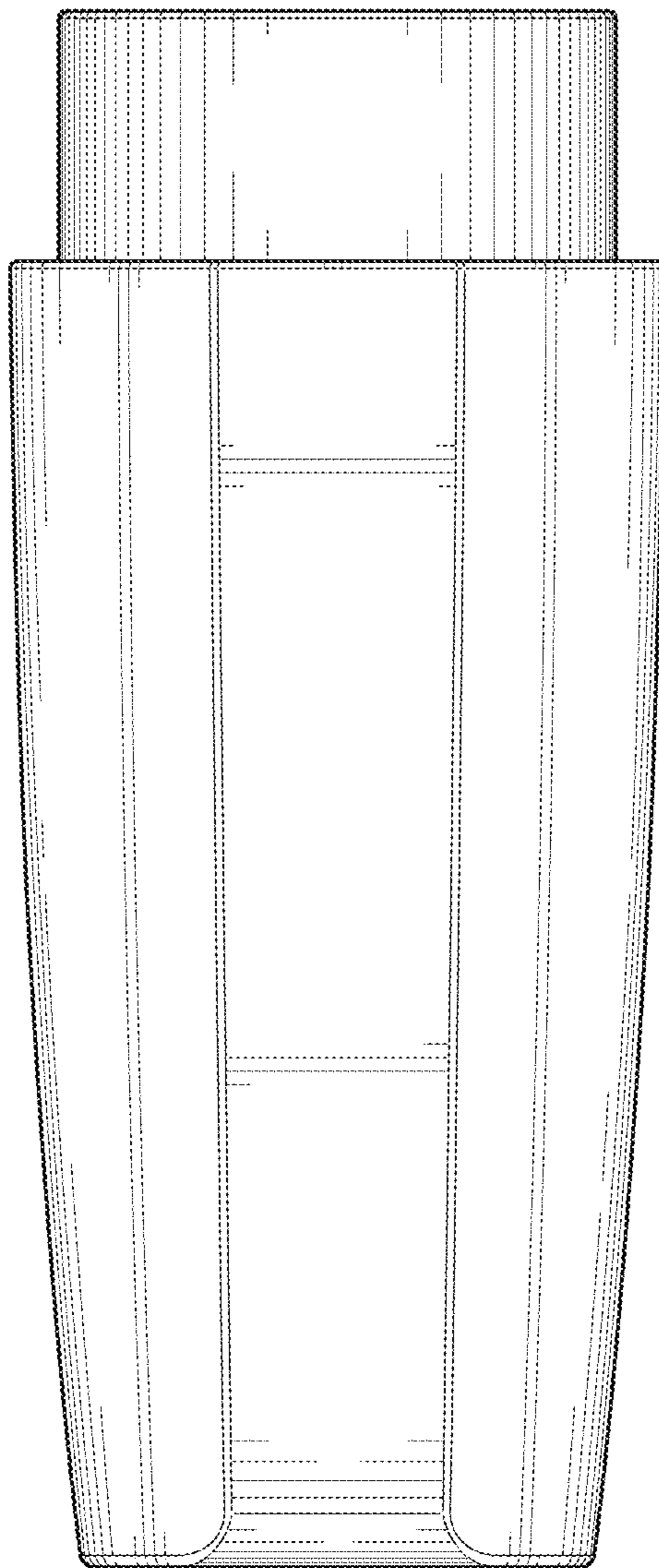


FIG. 2

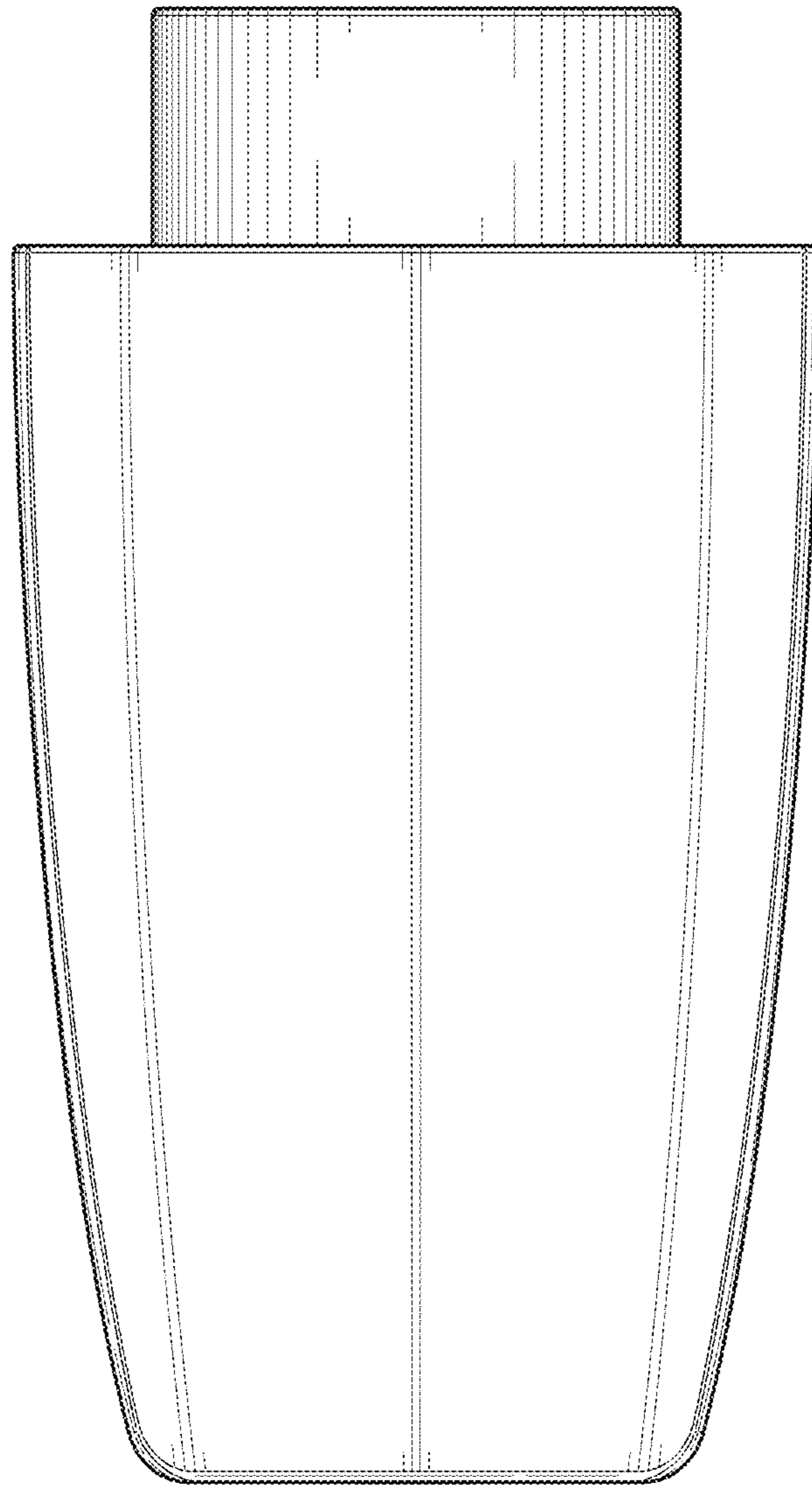


FIG. 3

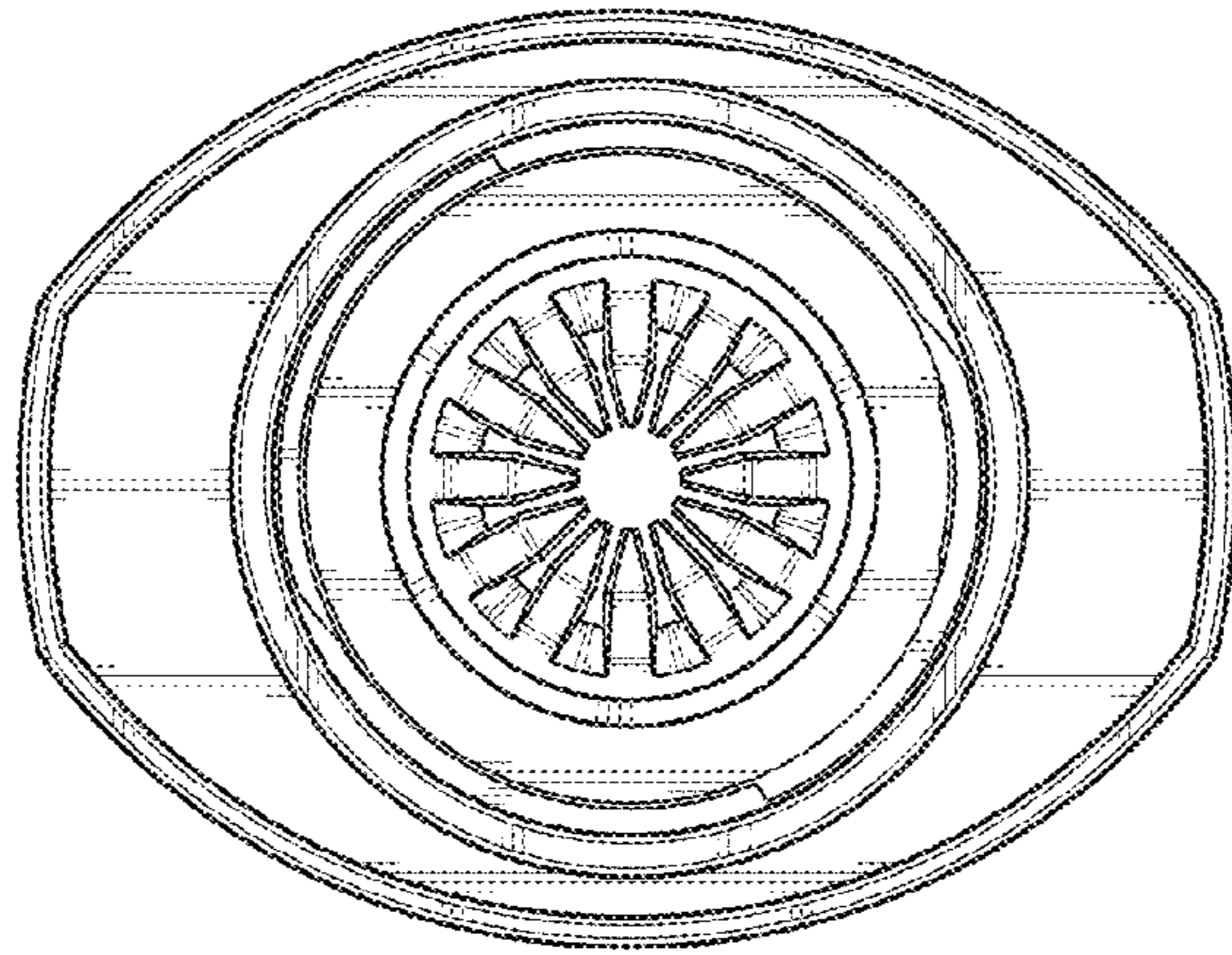


FIG. 4

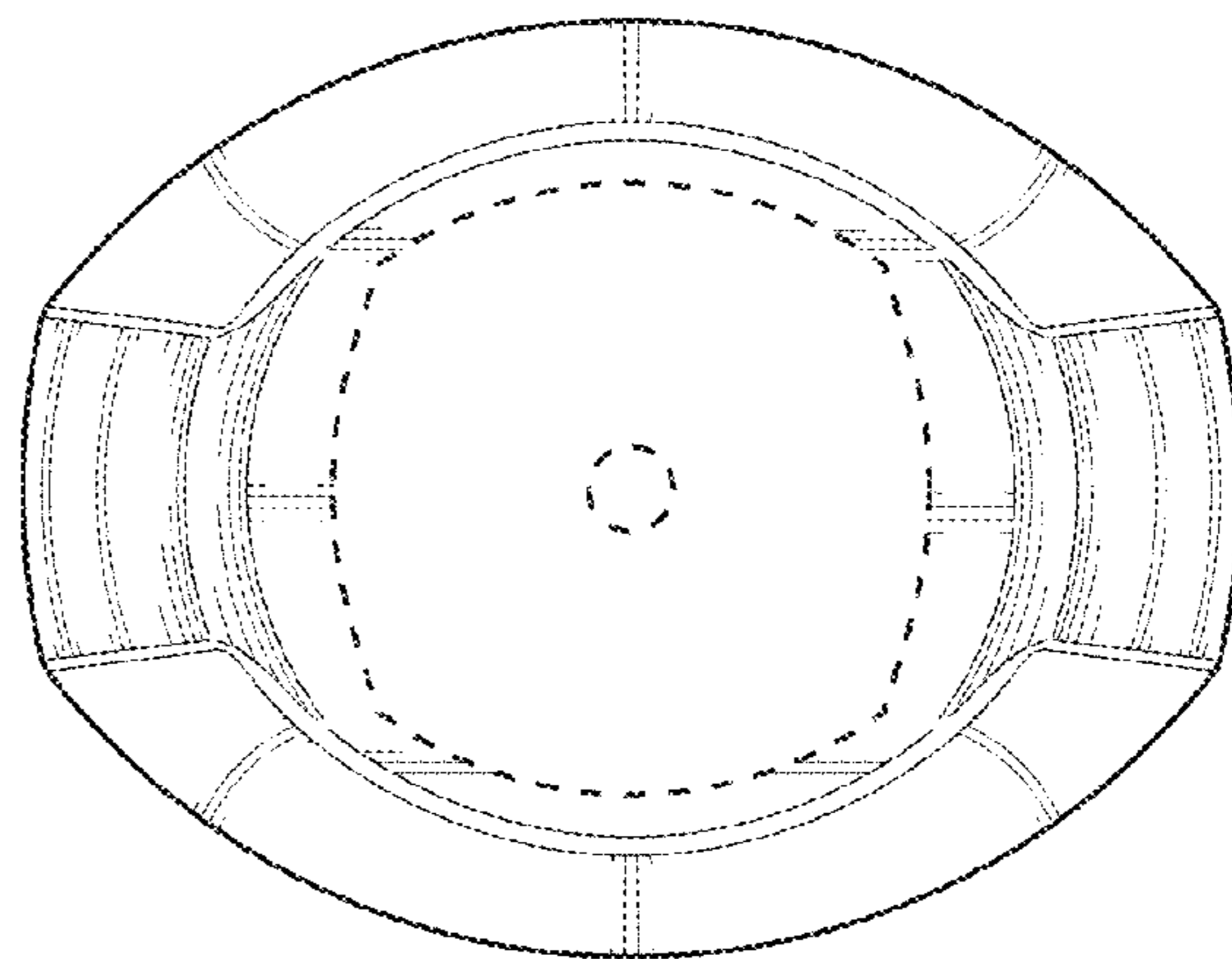


FIG. 5