



US00D741189S

(12) **United States Design Patent**
Gaydon

(10) **Patent No.:** **US D741,189 S**
(45) **Date of Patent:** **** Oct. 20, 2015**

(54) **BOTTLE**
(71) Applicant: **Jean-Christophe Gaydon**, Grasse (FR)
(72) Inventor: **Jean-Christophe Gaydon**, Grasse (FR)
(73) Assignee: **Saverglass Inc.**, Ramsey, NJ (US)
(**) Term: **14 Years**

D323,985 S *	2/1992	Bormioli	D9/573
D356,502 S *	3/1995	Poandl	D9/520
D362,391 S *	9/1995	Gobe	D9/573
D428,343 S *	7/2000	Waitzenegger	D9/544
D544,362 S *	6/2007	Rica	D9/544
D559,697 S *	1/2008	Didier	D9/544
D562,143 S *	2/2008	Didier	D9/544
D678,776 S *	3/2013	Lecetre et al.	D9/573
D693,227 S *	11/2013	Gonzalez Rodriguez	D9/544
D704,561 S *	5/2014	Manoel	D9/529

(21) Appl. No.: **29/466,894**
(22) Filed: **Sep. 12, 2013**
(51) **LOC (10) Cl.** **09-01**
(52) **U.S. Cl.**
USPC **D9/544**; D9/574
(58) **Field of Classification Search**
USPC D9/516, 544, 572-574, 682, 686-691,
D9/694; D7/300, 300.1, 598; D28/91.1;
215/379, 381-382; 220/660, 662, 669,
220/675
CPC B65D 1/00; B65D 1/02; B65D 1/0223;
B65D 1/40; B65D 23/00; B65D 2501/0009;
B65D 2501/0081
See application file for complete search history.

FOREIGN PATENT DOCUMENTS

WO	DM/063342	*	4/2003
WO	DM/082856	*	2/2014

* cited by examiner

Primary Examiner — Dana L Meyrow

(74) *Attorney, Agent, or Firm* — Fross, Zelnick, Lehrman & Zissu, P.C.; Charles T. J. Weigell, Esq.

(57) **CLAIM**

The ornamental design for a bottle, as shown and described.

DESCRIPTION

FIG. 1 is a front view of a bottle showing my new design (with the rear view being the same);
FIG. 2 is a side view of the bottle shown in FIG. 1 (with the other side view being the same)
FIG. 3 is a top view of the bottle shown in FIG. 1;
FIG. 4 is a bottom view of the bottle shown in FIG. 1; and,
FIG. 5 is a front perspective view of the bottle shown in FIG. 1.

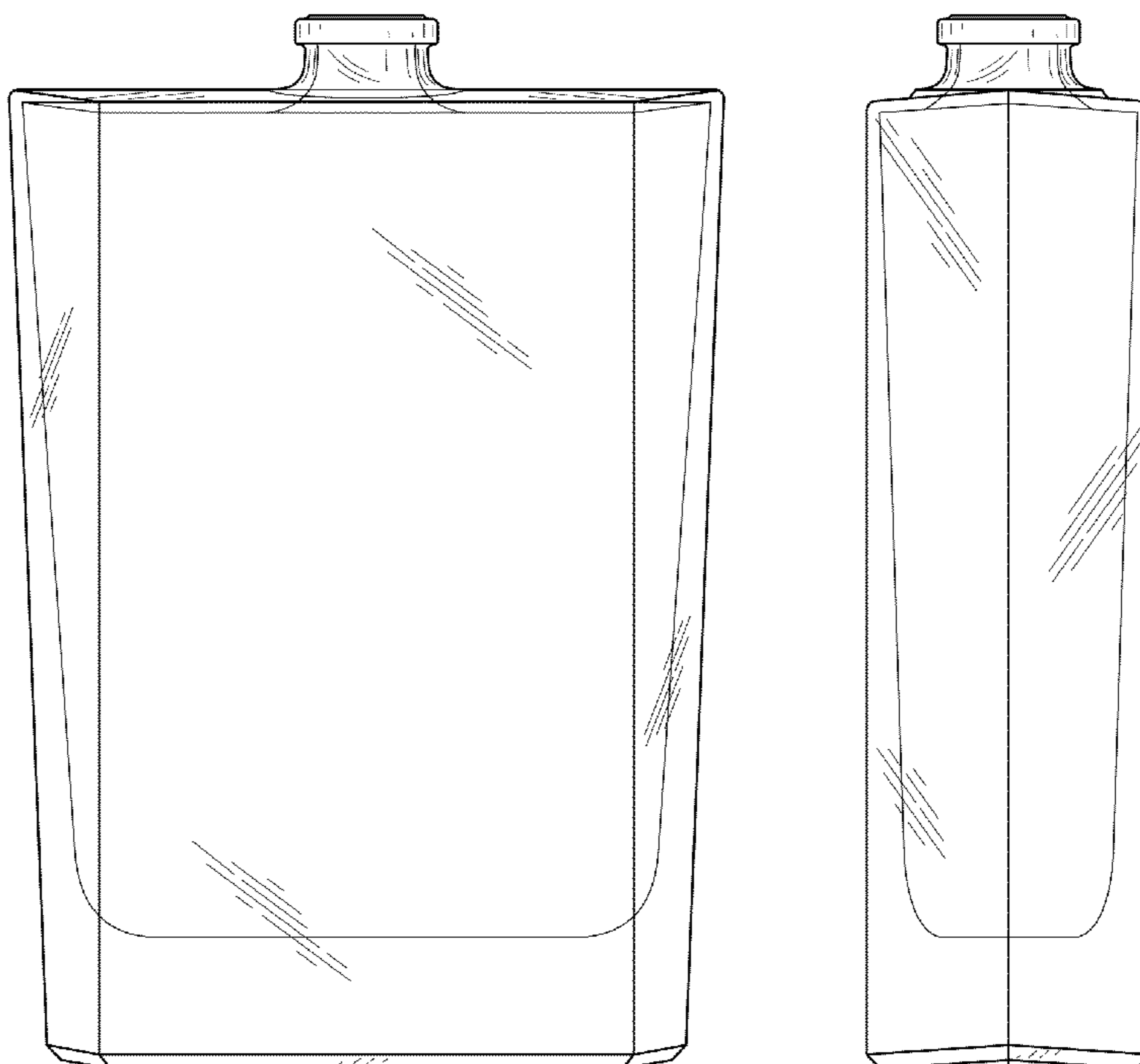
In FIG. 3, the details of the outside surfaces of the bottom of the bottle have been omitted for ease of understanding.

1 Claim, 2 Drawing Sheets

(56) **References Cited**

U.S. PATENT DOCUMENTS

D73,368 S *	8/1927	Cavanaugh	D9/544
D92,426 S *	6/1934	Picker	D9/566
D192,942 S *	5/1962	Du Pree	D9/544
D261,109 S *	10/1981	Rosenblatt et al.	D9/544
D263,372 S *	3/1982	Mansau	D9/573
D263,683 S *	4/1982	Mansau	D9/573



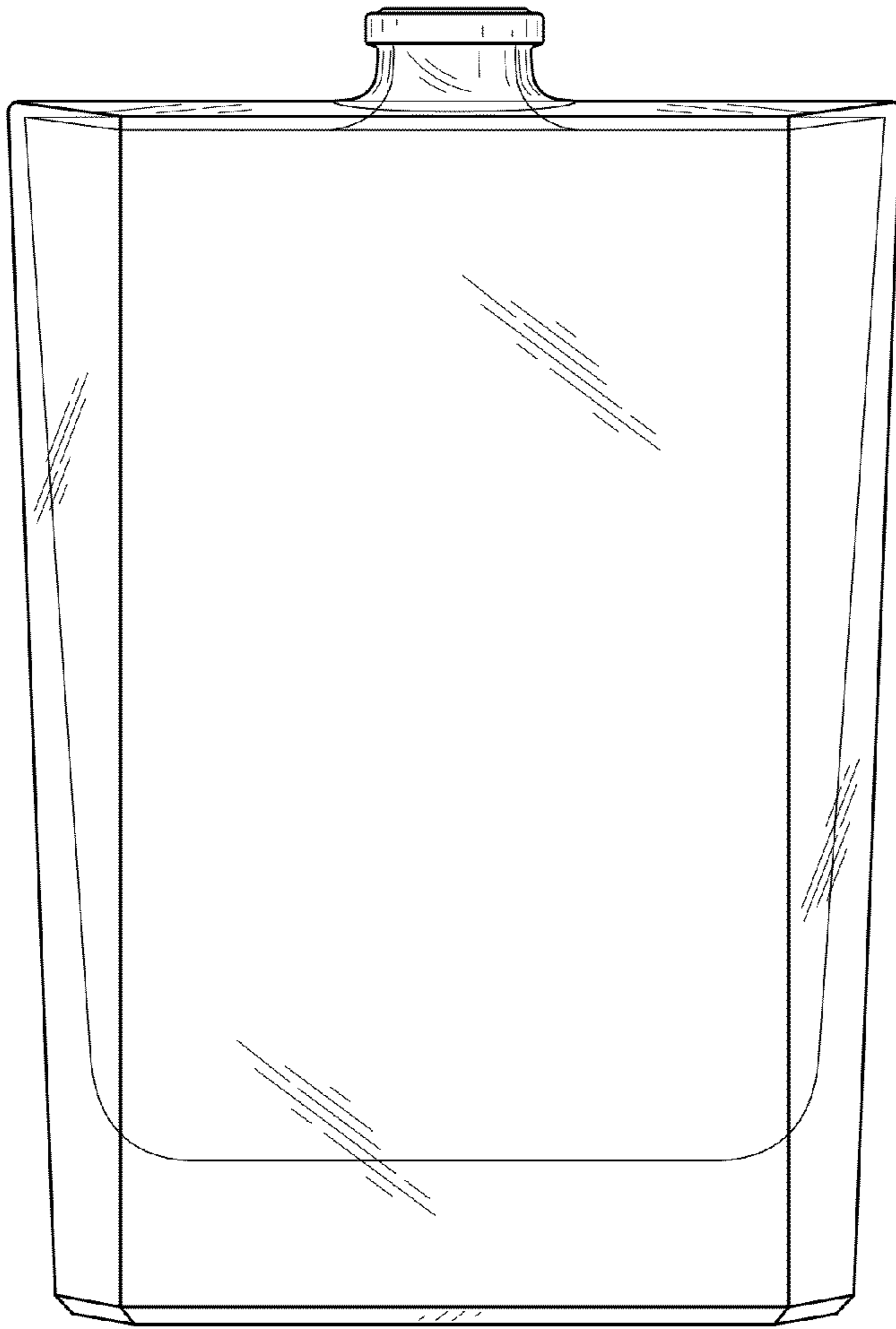


FIG. 1

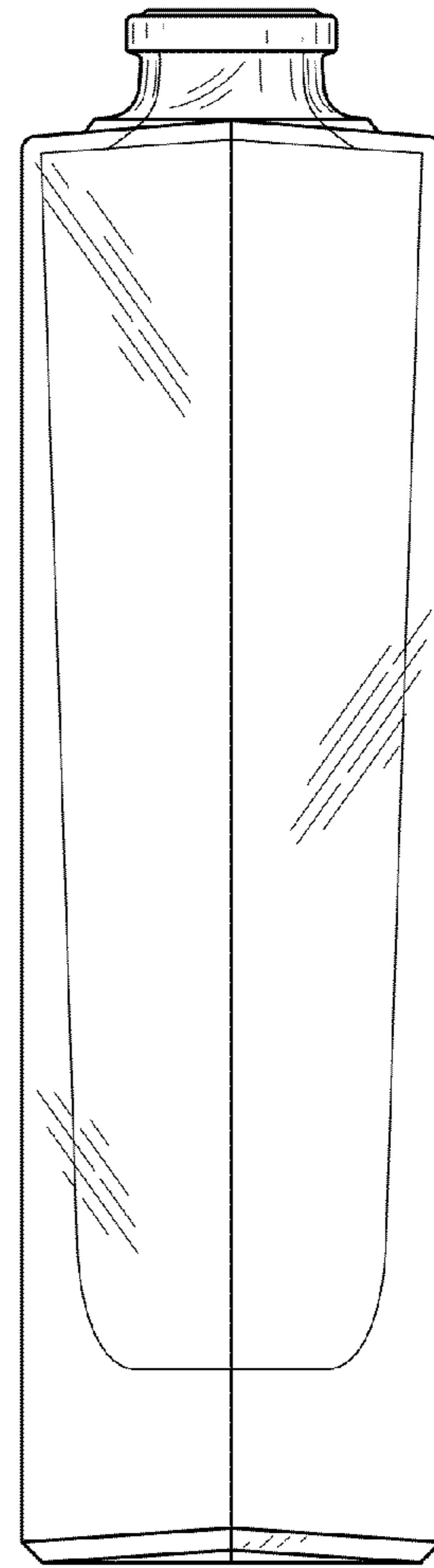


FIG. 2

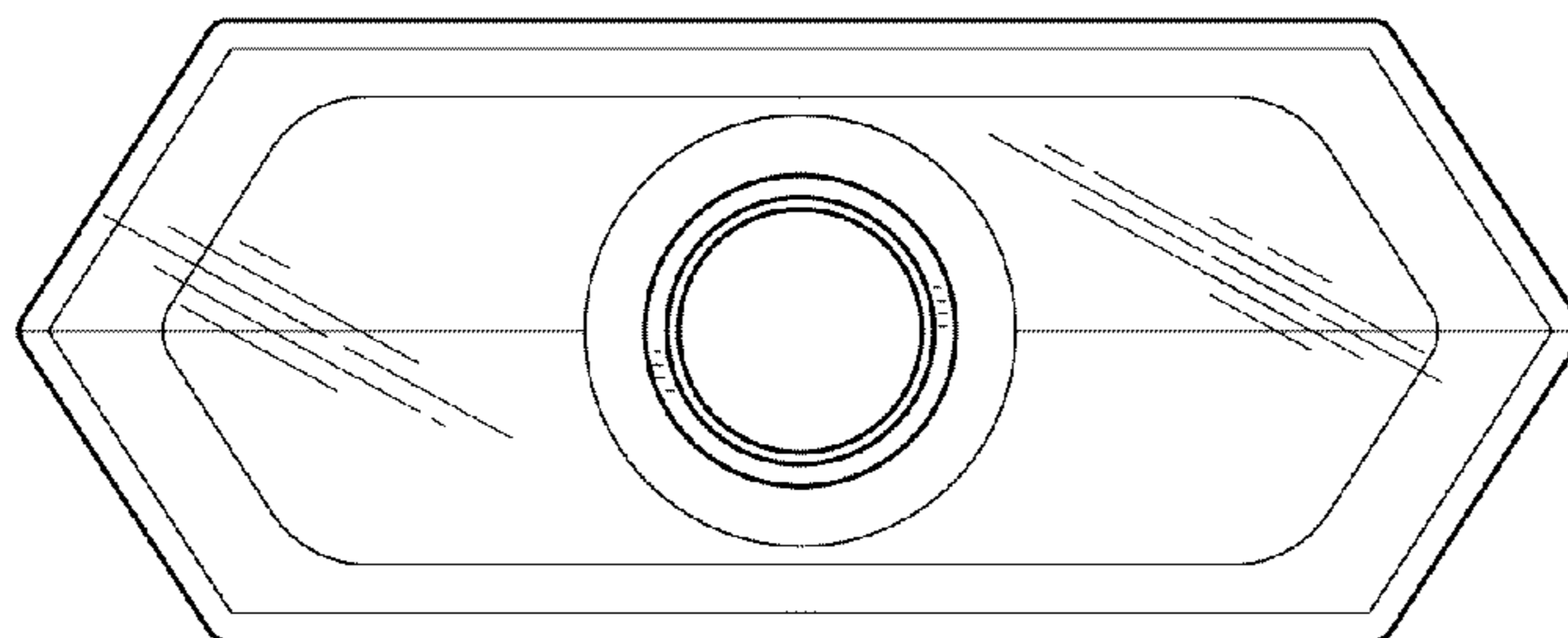


FIG. 3

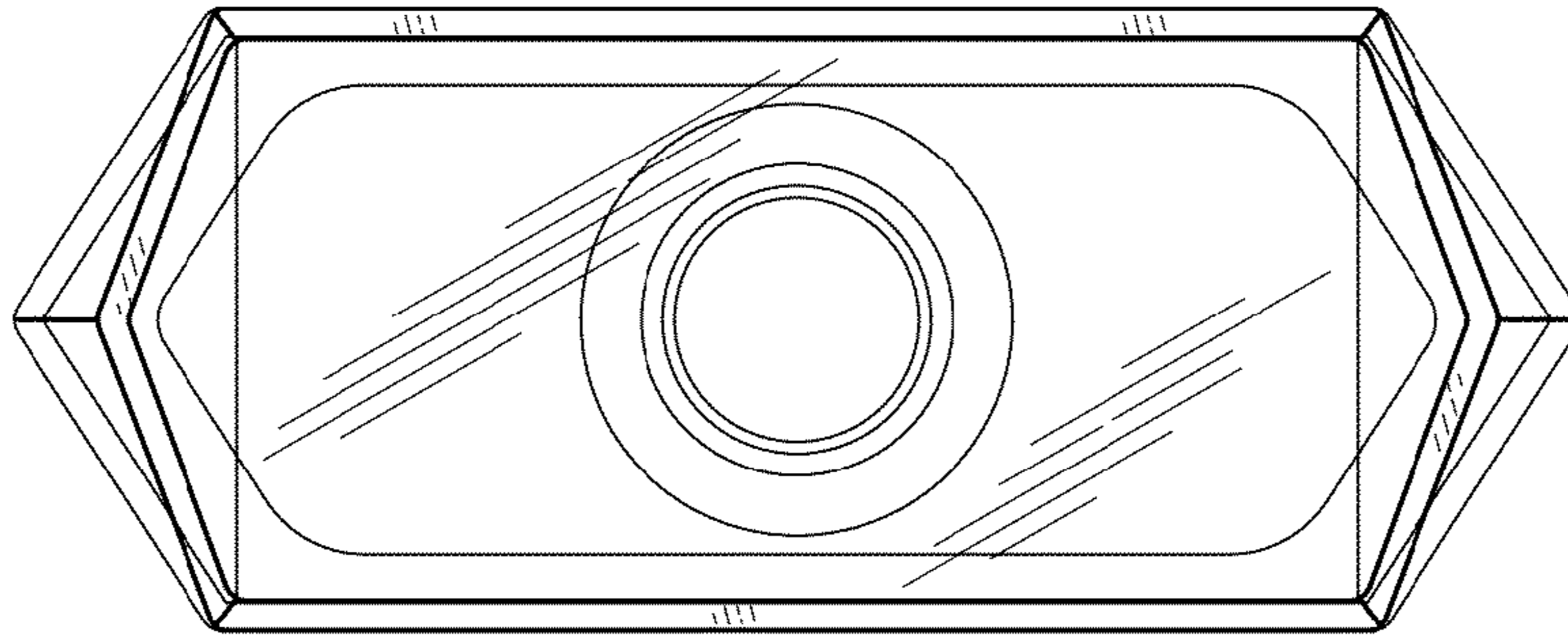


FIG. 4

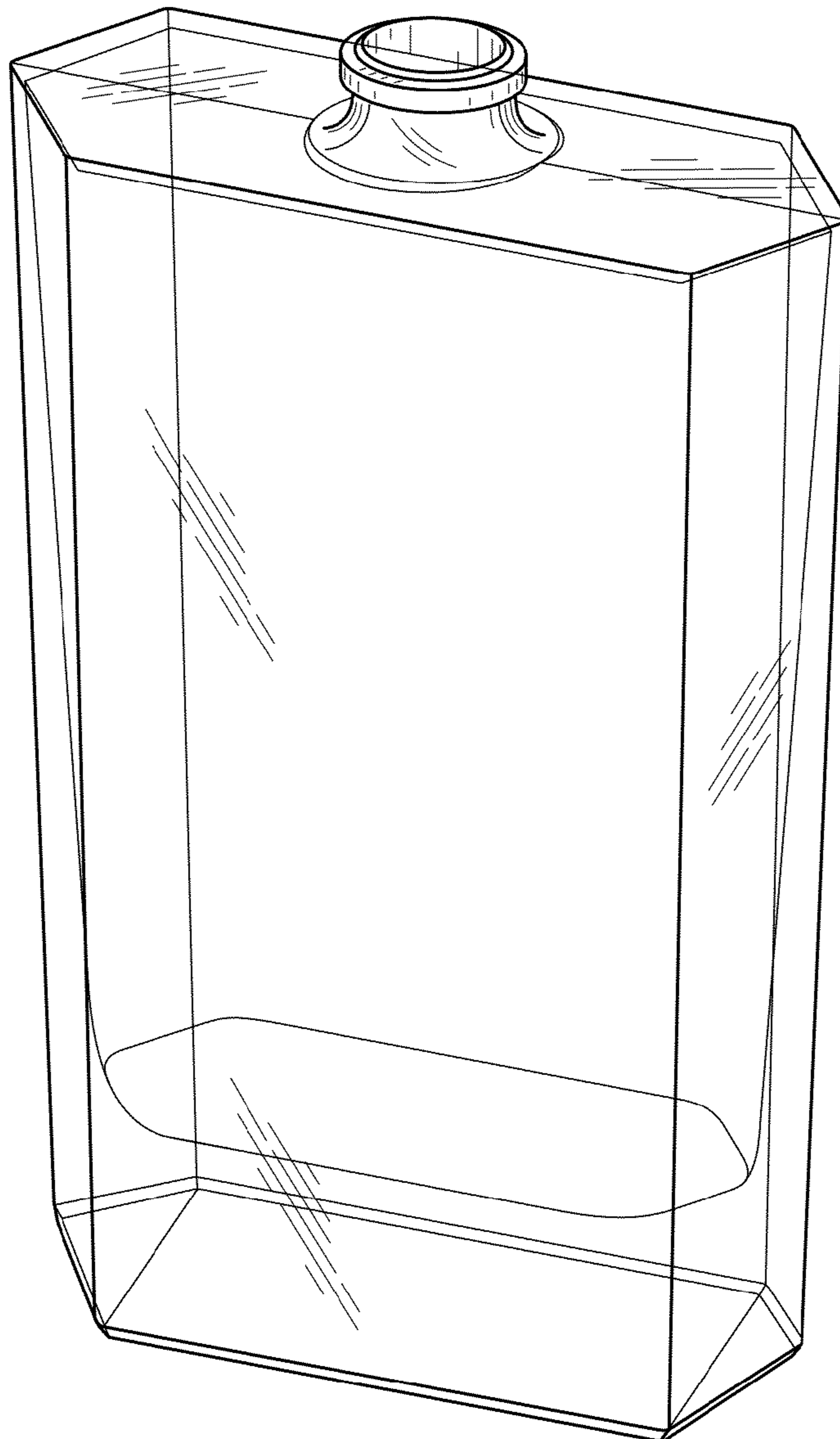


FIG. 5