

US00D741185S

(12) **United States Design Patent**  
**de Jong**

(10) **Patent No.:** **US D741,185 S**

(45) **Date of Patent:** **\*\* Oct. 20, 2015**

(54) **CANISTER**

(71) Applicant: **Arie Jan de Jong**, GH Sliedrecht (NL)

(72) Inventor: **Arie Jan de Jong**, GH Sliedrecht (NL)

(73) Assignee: **Jemie BV** (NL)

(\*\*) Term: **14 Years**

(21) Appl. No.: **29/457,819**

(22) Filed: **Jun. 13, 2013**

(30) **Foreign Application Priority Data**

Apr. 5, 2013 (BX) ..... 84827-01

(51) **LOC (10) Cl.** ..... **09-03**

(52) **U.S. Cl.**  
USPC ..... **D9/534**

(58) **Field of Classification Search**  
USPC ..... D9/516, 520, 523, 527, 528, 531, 534,  
D9/543, 556; 215/14, 200, 214, 217, 223,  
215/379, 382-385, 396, 398; 220/200, 890;  
222/210, 212, 215  
See application file for complete search history.

(56) **References Cited**

**U.S. PATENT DOCUMENTS**

D168,848 S \* 2/1953 Mack ..... D9/528  
D219,867 S \* 2/1971 Reimer ..... D9/524

D242,324 S \* 11/1976 Gartin ..... D9/520  
4,881,647 A \* 11/1989 Schiemann ..... 206/510  
D357,417 S \* 4/1995 Van Keimpema et al. .... D9/782  
D371,967 S \* 7/1996 Miller ..... D9/520  
D471,464 S \* 3/2003 Ouillette et al. .... D9/531  
D479,468 S \* 9/2003 Dorn et al. .... D9/531  
D631,358 S \* 1/2011 Voelker ..... D9/528

\* cited by examiner

*Primary Examiner* — Derrick Holland

*Assistant Examiner* — Janice Lim

(74) *Attorney, Agent, or Firm* — Norton Rose Fulbright US LLP

(57) **CLAIM**

The ornamental design for a canister, as shown and described.

**DESCRIPTION**

FIG. 1 is a perspective view of a canister, showing my new design;

FIG. 2 is a front elevation view thereof;

FIG. 3 is a back elevation view thereof;

FIG. 4 is a left side elevation view thereof;

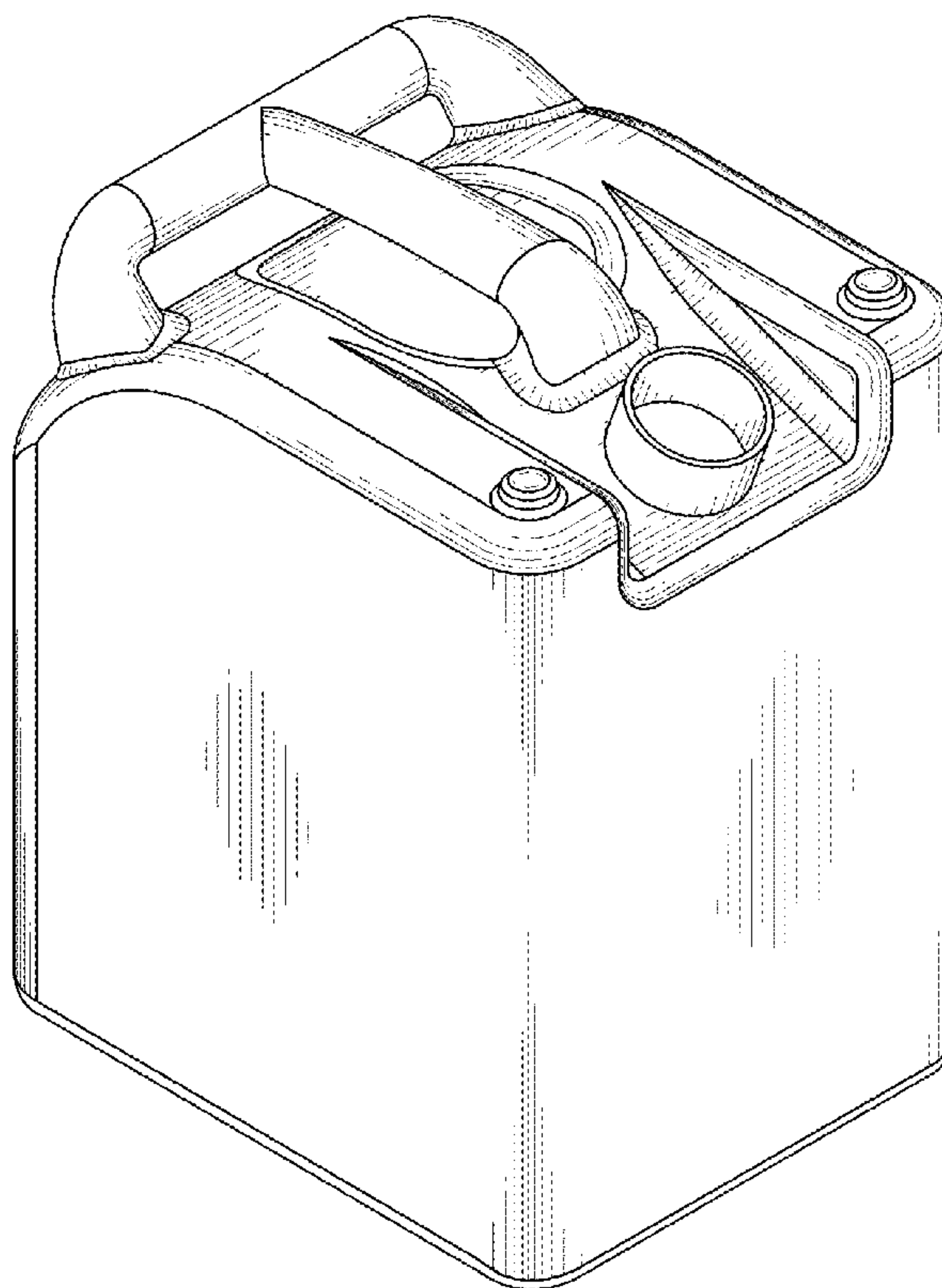
FIG. 5 is a right side elevation view thereof;

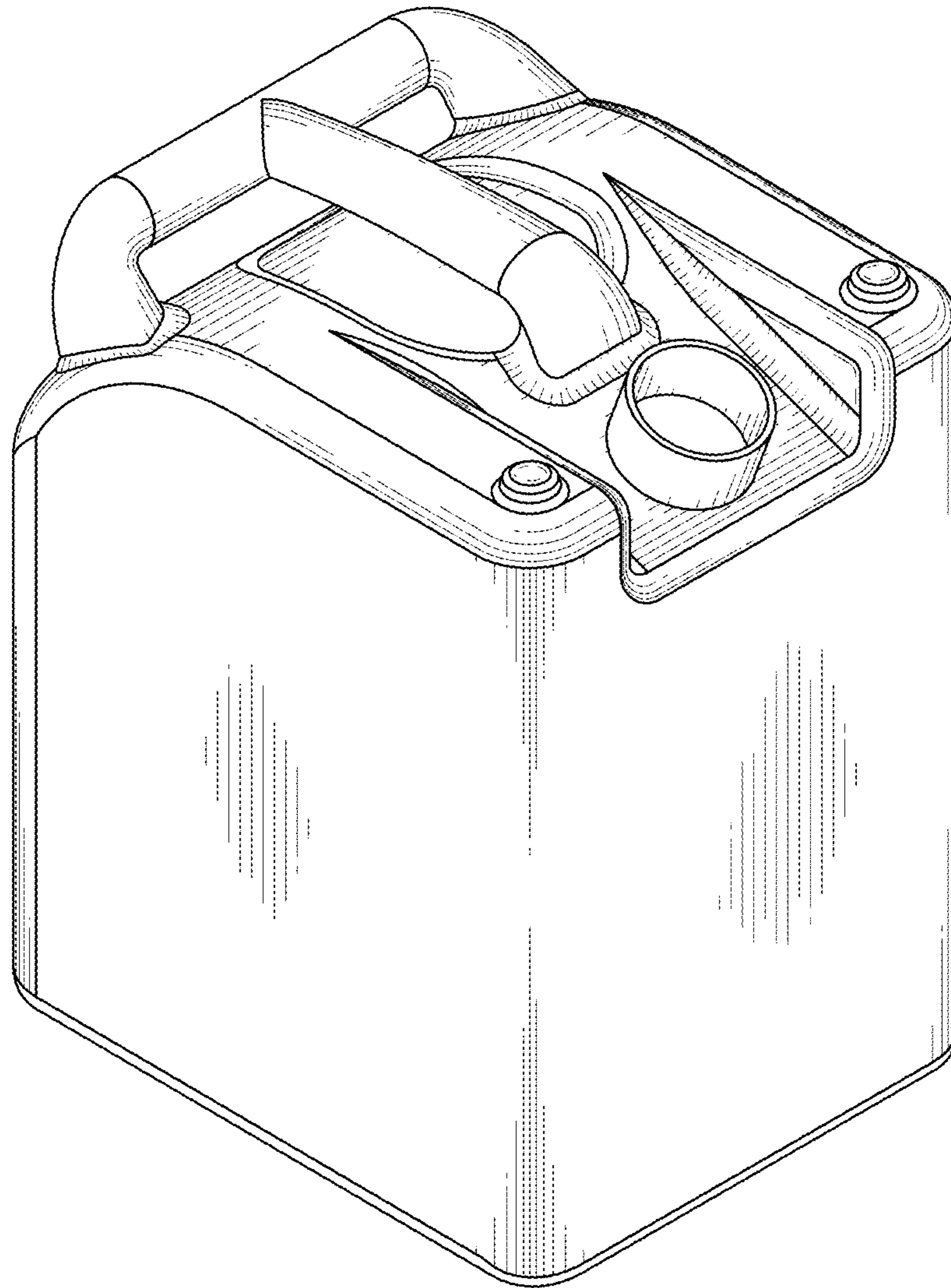
FIG. 6 is a top plan view thereof; and,

FIG. 7 is a bottom plan view thereof.

The broken line portions of FIGS. 3 and 7 are included to show unclaimed subject matter only and form no part of the claimed design.

**1 Claim, 4 Drawing Sheets**





**FIG. 1**

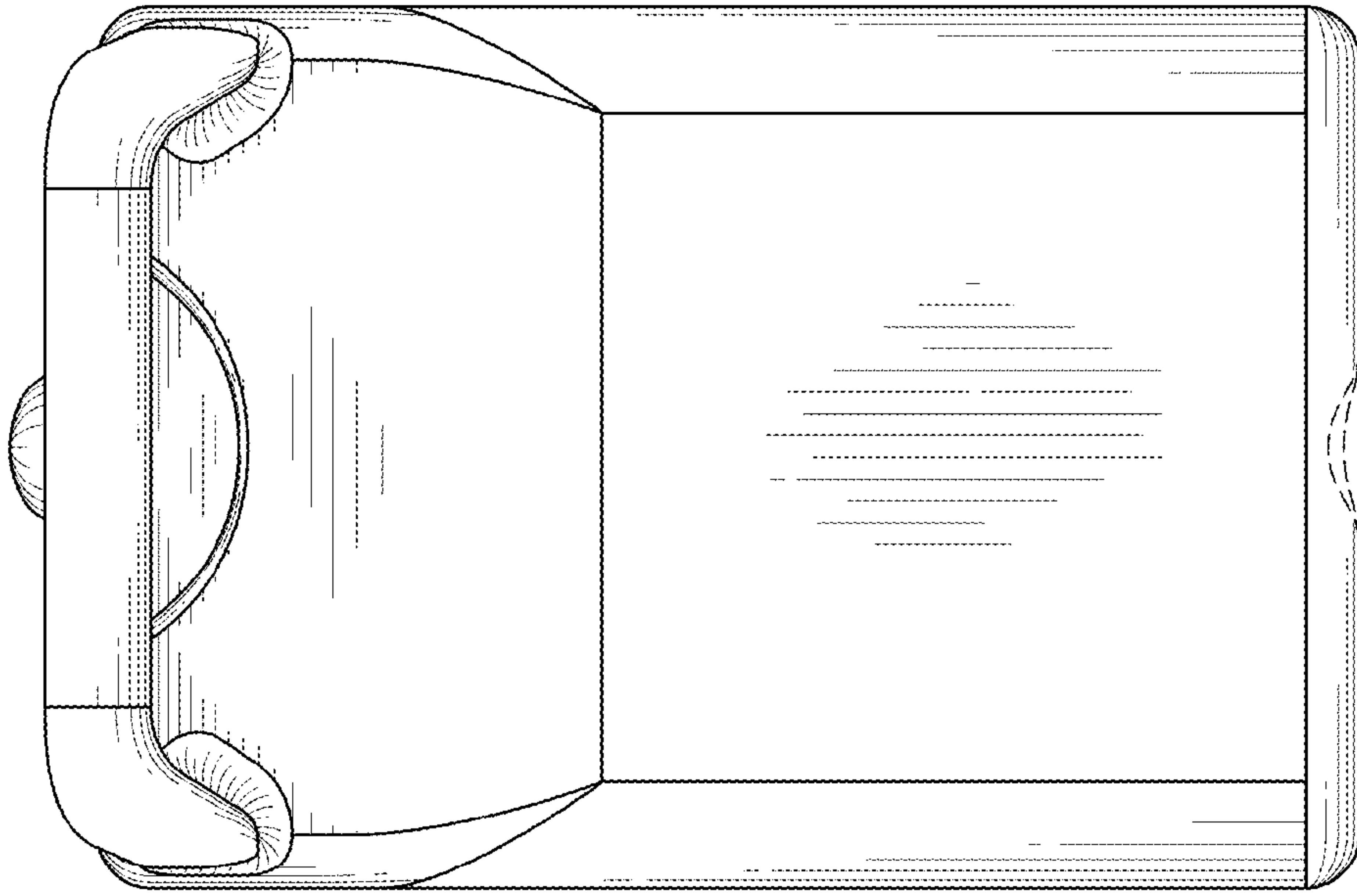


FIG. 2

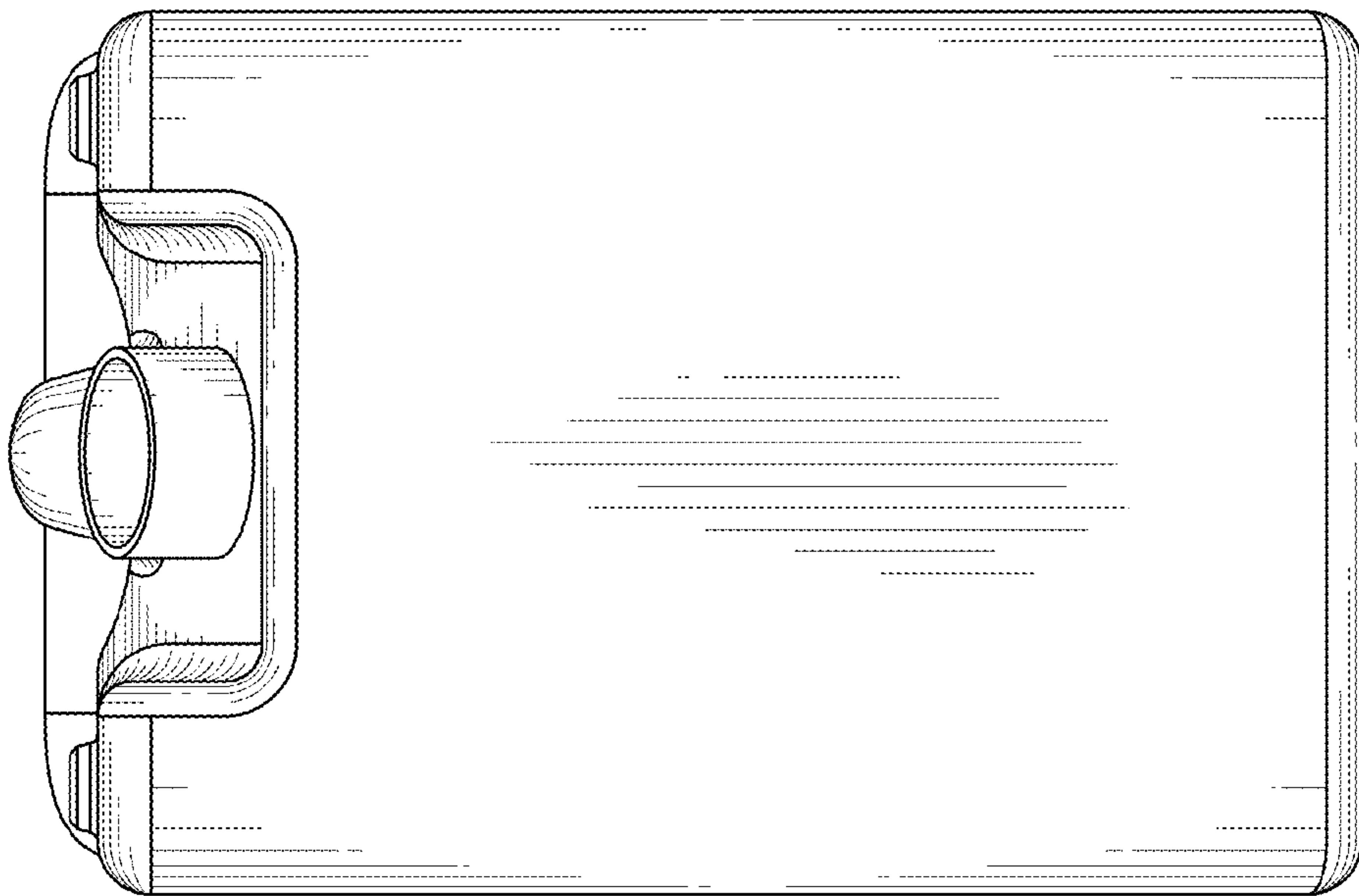


FIG. 3

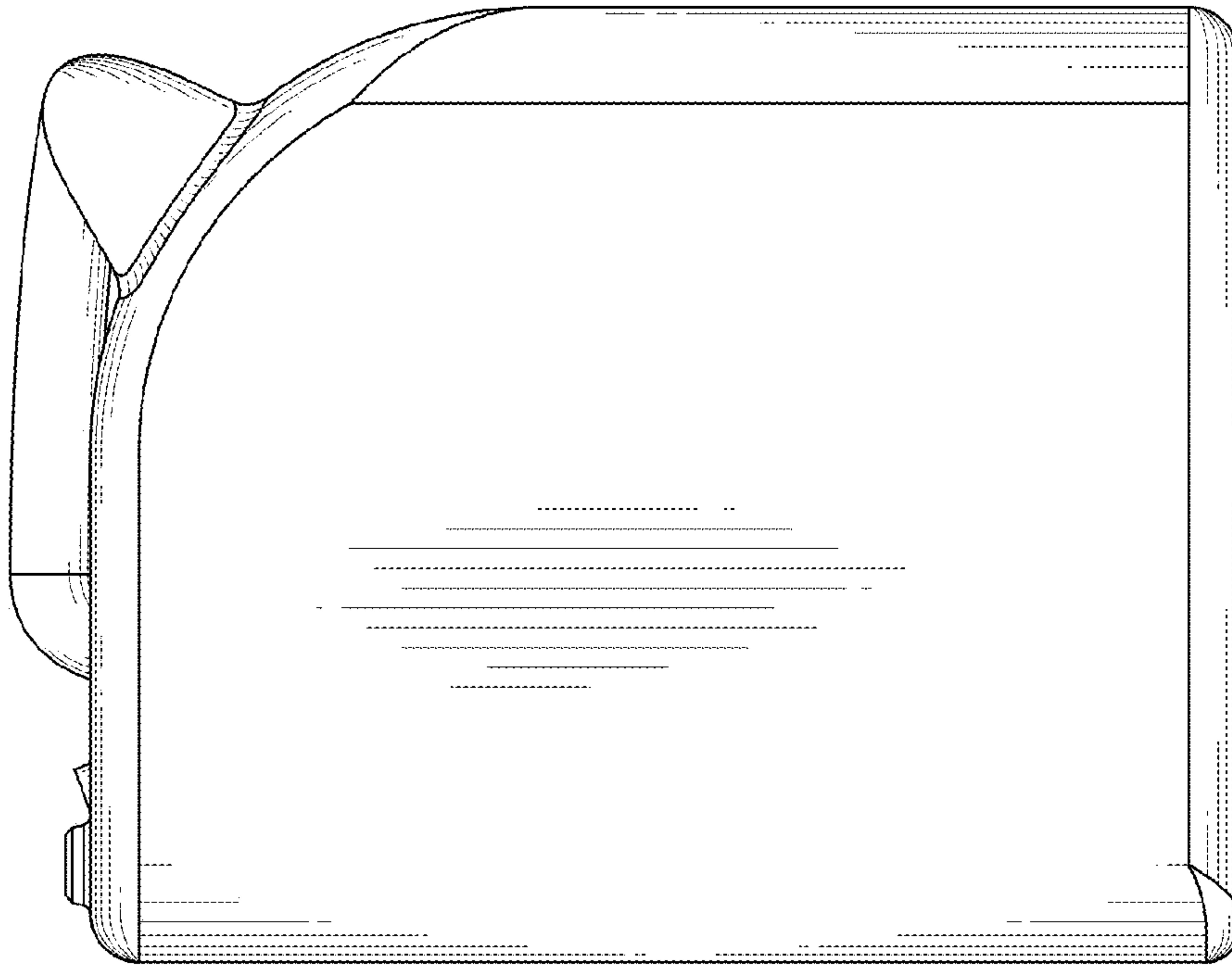


FIG. 5

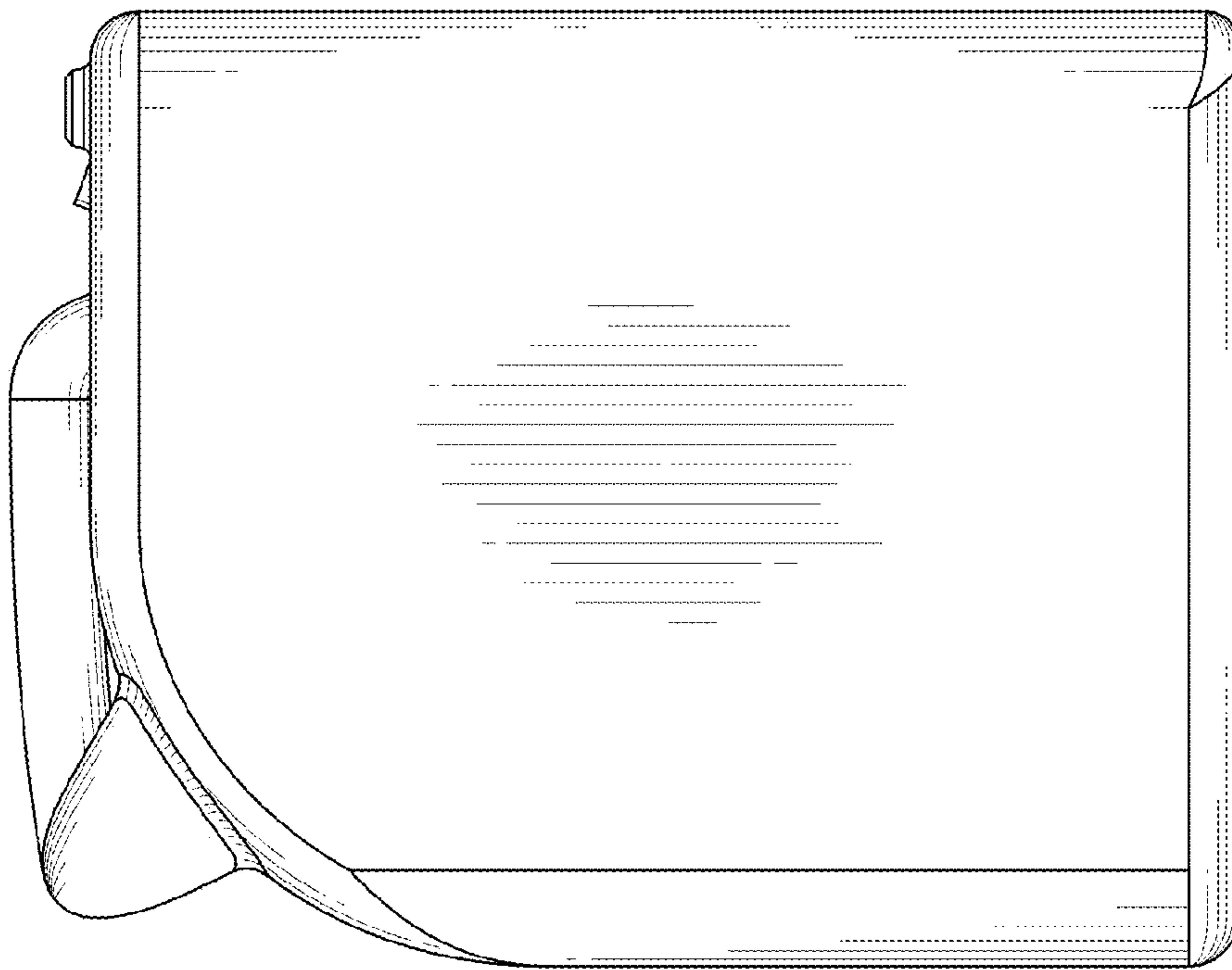
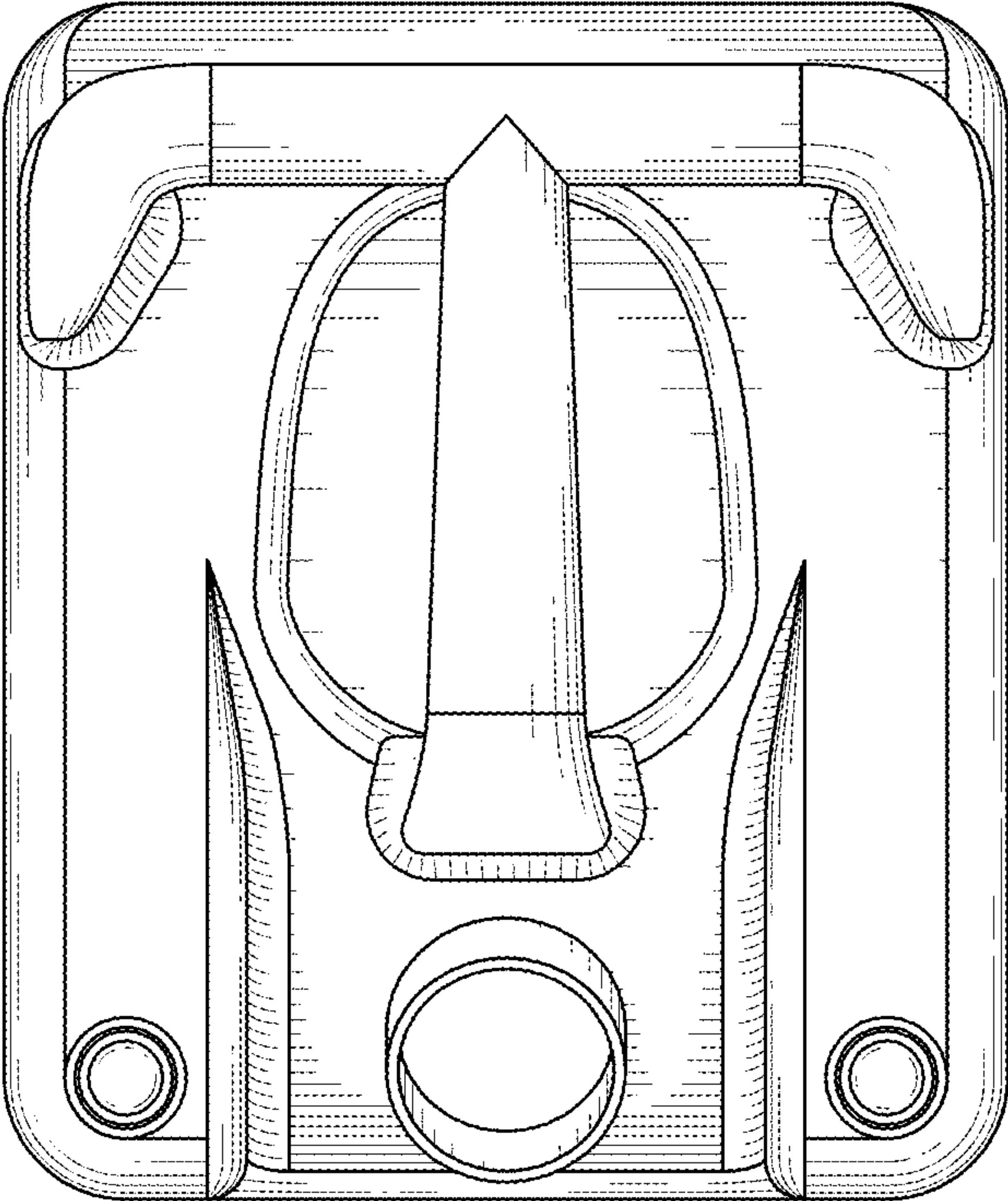
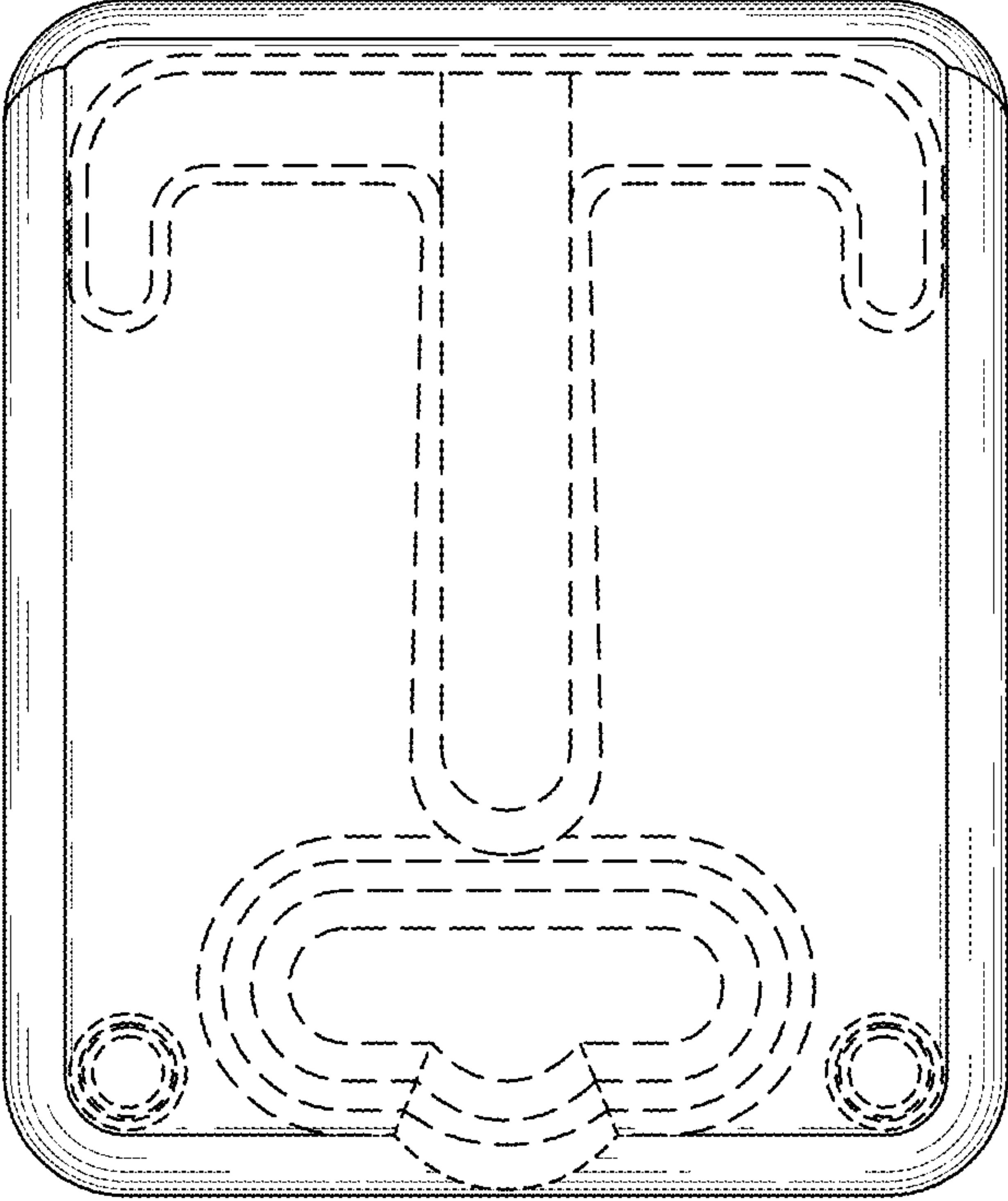


FIG. 4





**FIG. 6**



**FIG. 7**