



US00D741184S

(12) **United States Design Patent**
Herbst

(10) **Patent No.:** **US D741,184 S**

(45) **Date of Patent:** **** Oct. 20, 2015**

(54) **FAN BOTTLE WITH SLOPED FRONT**

(71) Applicant: **O2 COOL, LLC**, Chicago, IL (US)

(72) Inventor: **Scot Herbst**, Santa Cruz, CA (US)

(73) Assignee: **O2COOL, LLC**, Chicago, IL (US)

(**) Term: **14 Years**

(21) Appl. No.: **29/484,530**

(22) Filed: **Mar. 11, 2014**

(51) **LOC (10) Cl.** **09-01**

(52) **U.S. Cl.**

USPC **D9/530; D9/685**

(58) **Field of Classification Search**

USPC D9/434, 435, 436, 440, 443, 447, 448,
D9/516, 530, 541, 546, 556, 559, 560, 564,
D9/569, 570, 682, 683, 685, 689, 691, 693,
D9/715, 719, 730, 737, 738; D23/213,
D23/223, 225, 226, 328, 332; 215/379-384;
222/372, 383; 239/302, 308, 332, 333,
239/337

See application file for complete search history.

(56) **References Cited**

U.S. PATENT DOCUMENTS

D349,954 S * 8/1994 Steiner et al. D23/328
D463,972 S * 10/2002 Perrin et al. D9/685

D519,031 S * 4/2006 Snyder D9/522
D529,806 S * 10/2006 Cummings D9/523
D669,364 S * 10/2012 Schaeffer et al. D9/685
D673,644 S * 1/2013 DeLorme D23/202
D682,110 S * 5/2013 Gonzalez D9/523
D698,003 S * 1/2014 Delorme D23/202
D721,969 S * 2/2015 Williams et al. D9/516

* cited by examiner

Primary Examiner — Susan Bennett Hattan

Assistant Examiner — Leanne Was

(74) *Attorney, Agent, or Firm* — Thompson Coburn LLP

(57) **CLAIM**

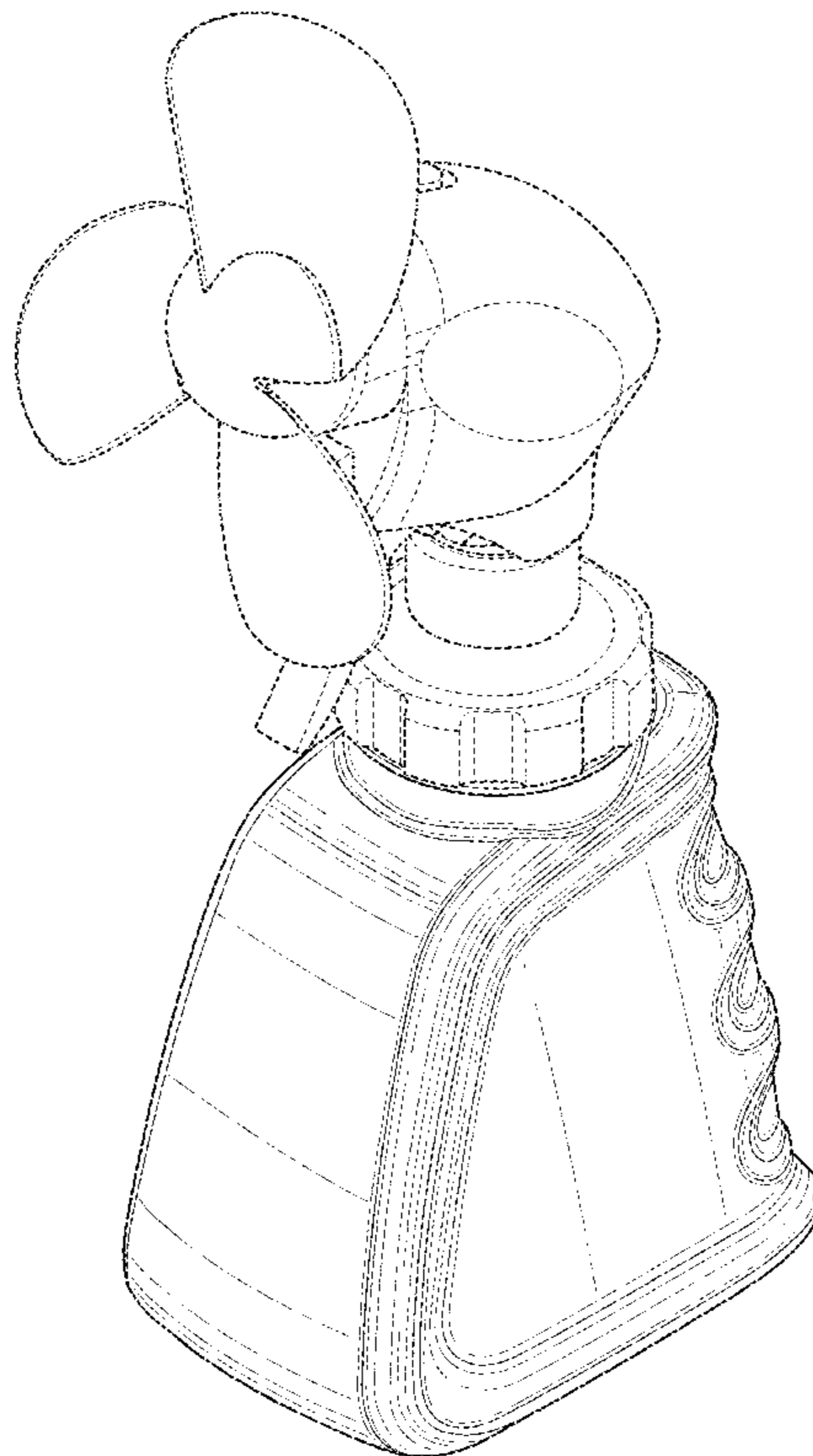
I claim the ornamental design for a fan bottle with sloped front, as shown and described.

DESCRIPTION

FIG. 1 is a top right front corner perspective view of the fan bottle with sloped front showing my new design;
FIG. 2 is a bottom right front corner perspective view thereof;
FIG. 3 is a front elevation view thereof;
FIG. 4 is a rear elevation view thereof;
FIG. 5 is a right side view thereof;
FIG. 6 is a left side view thereof;
FIG. 7 is a top view thereof; and,
FIG. 8 is a bottom view thereof.

The broken lines in the drawings depict environmental subject matter only and form no part of the claimed design.

1 Claim, 7 Drawing Sheets



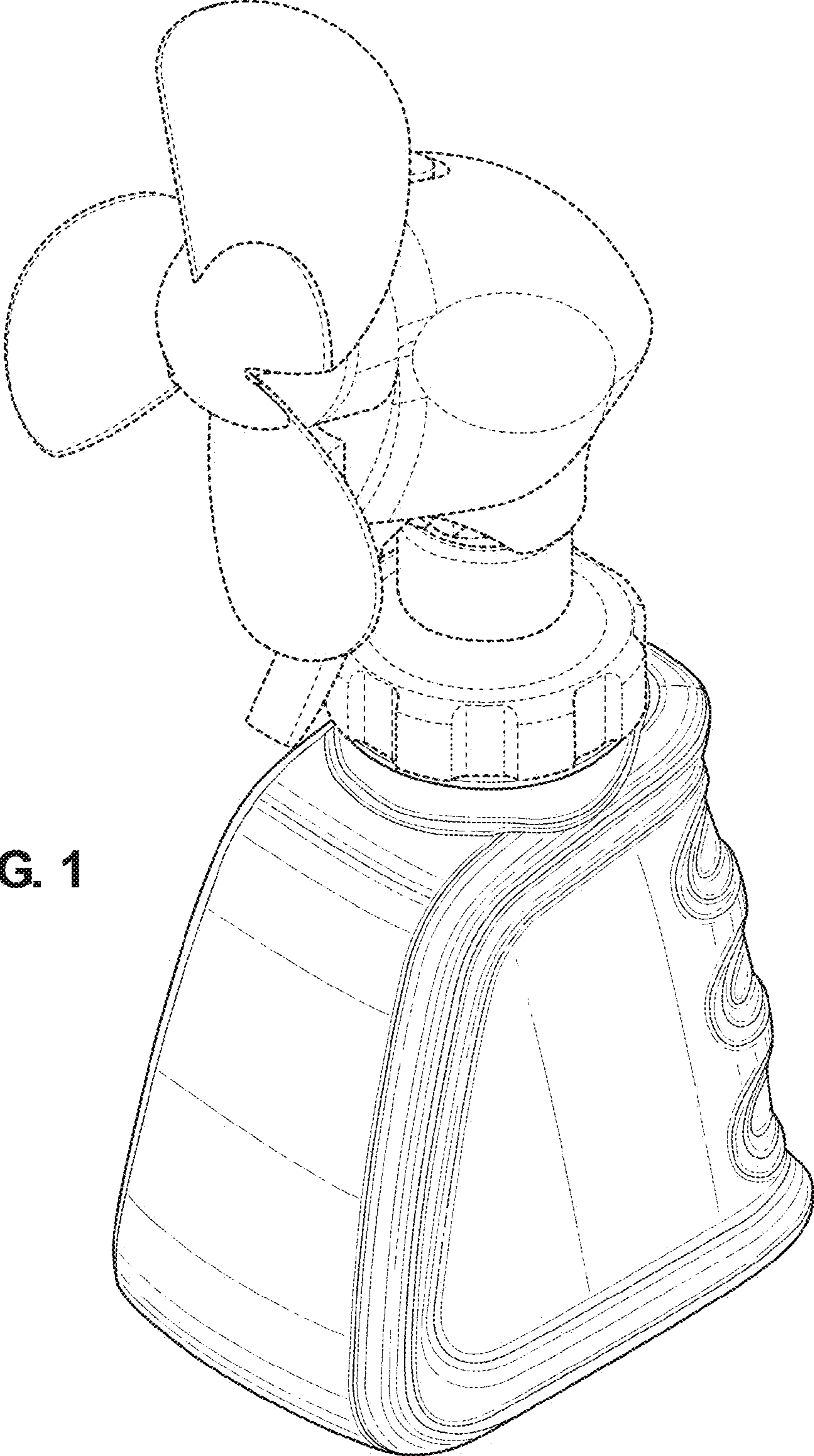


FIG. 1

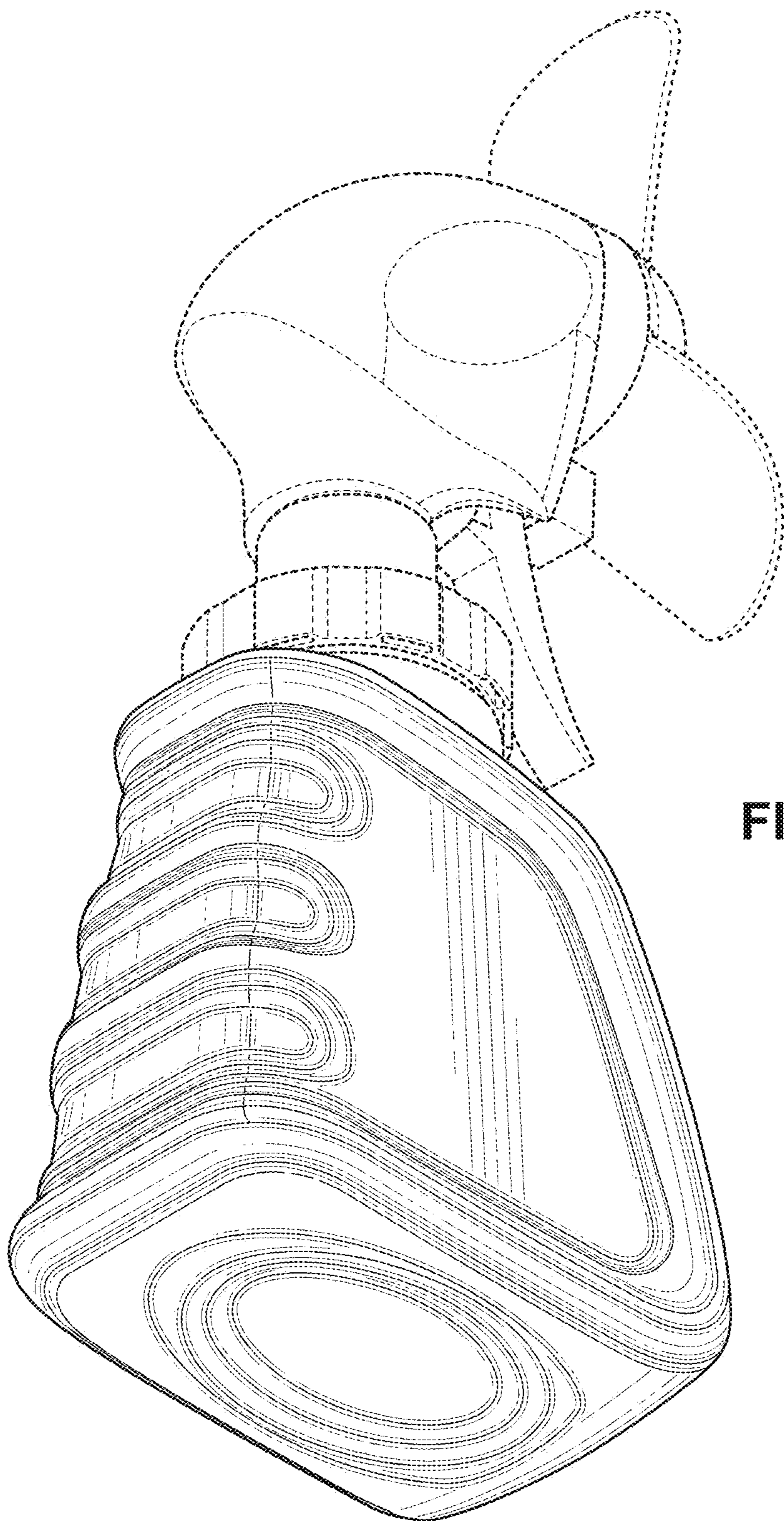


FIG. 2

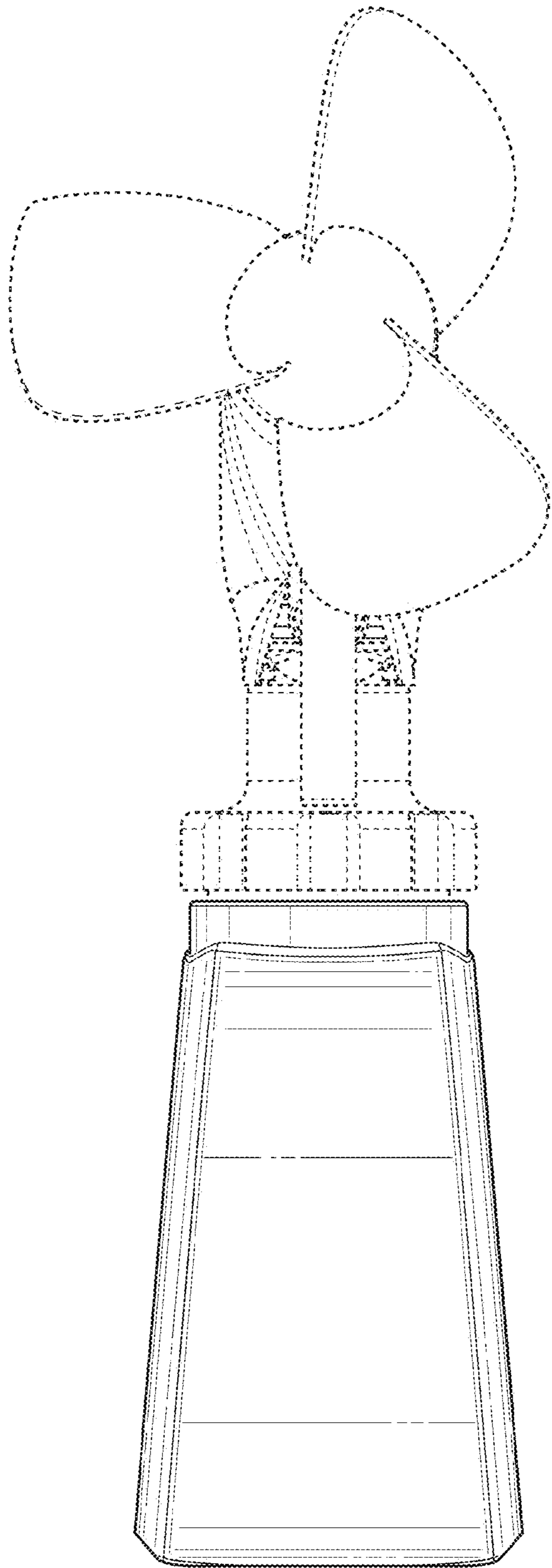


FIG. 3

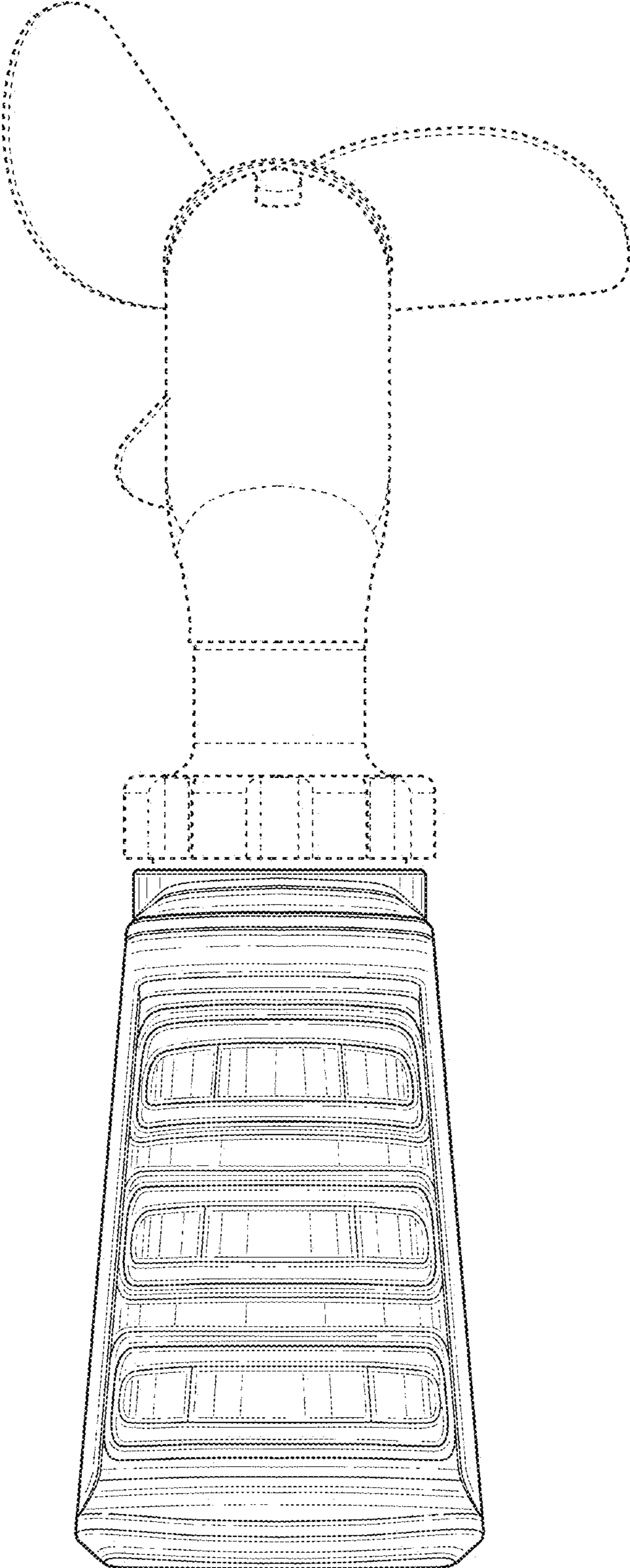


FIG. 4

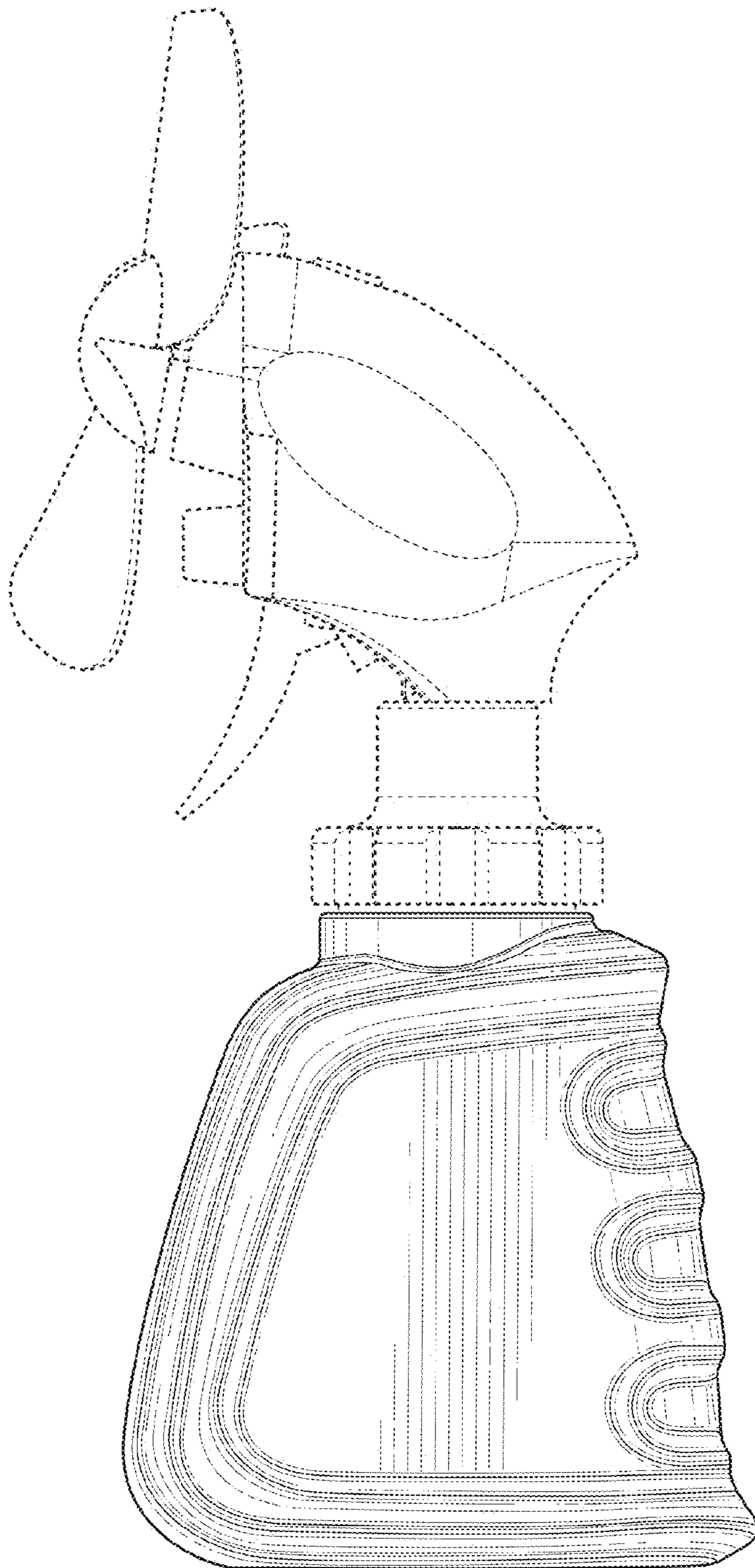


FIG. 5

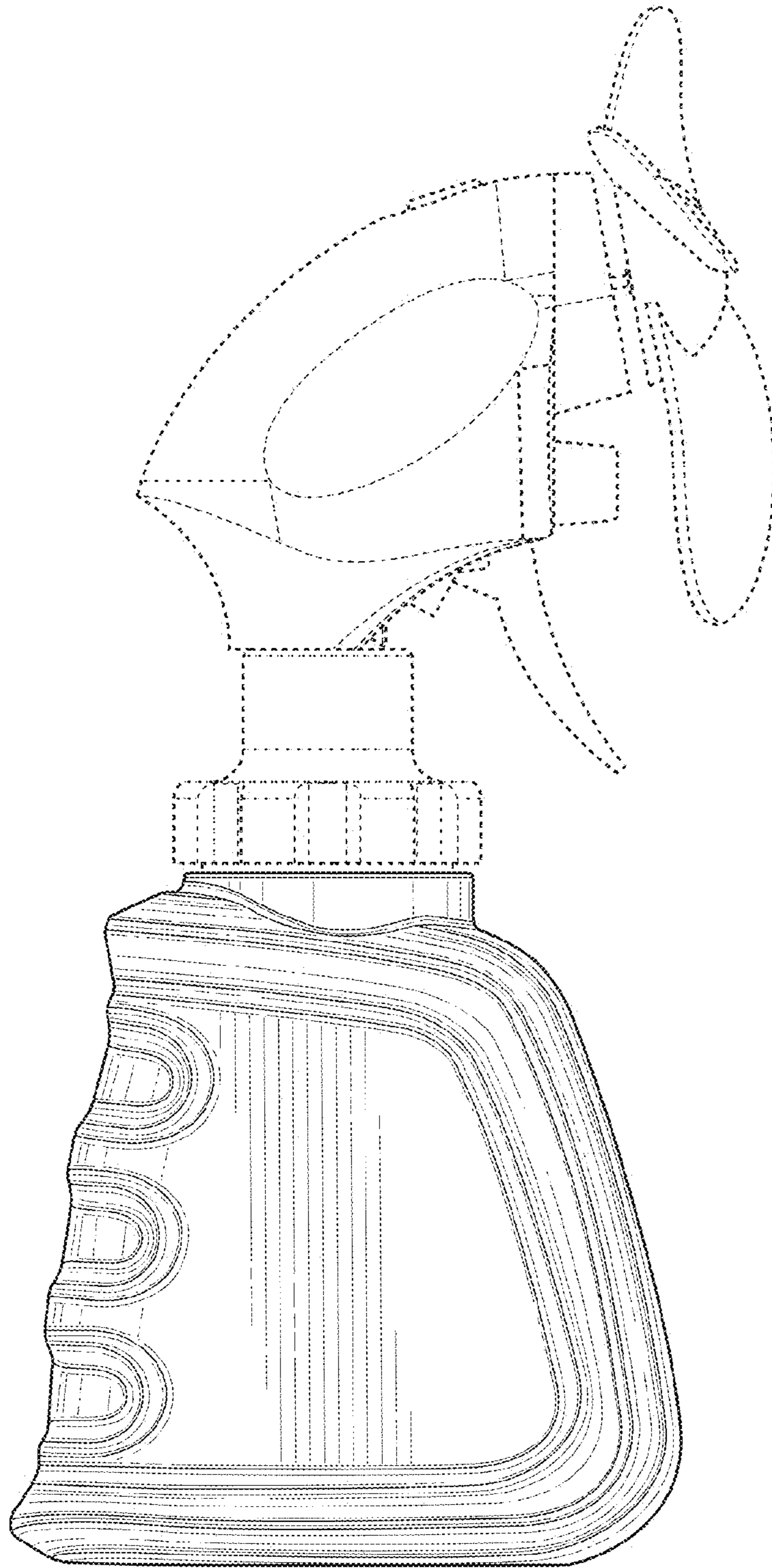


FIG. 6

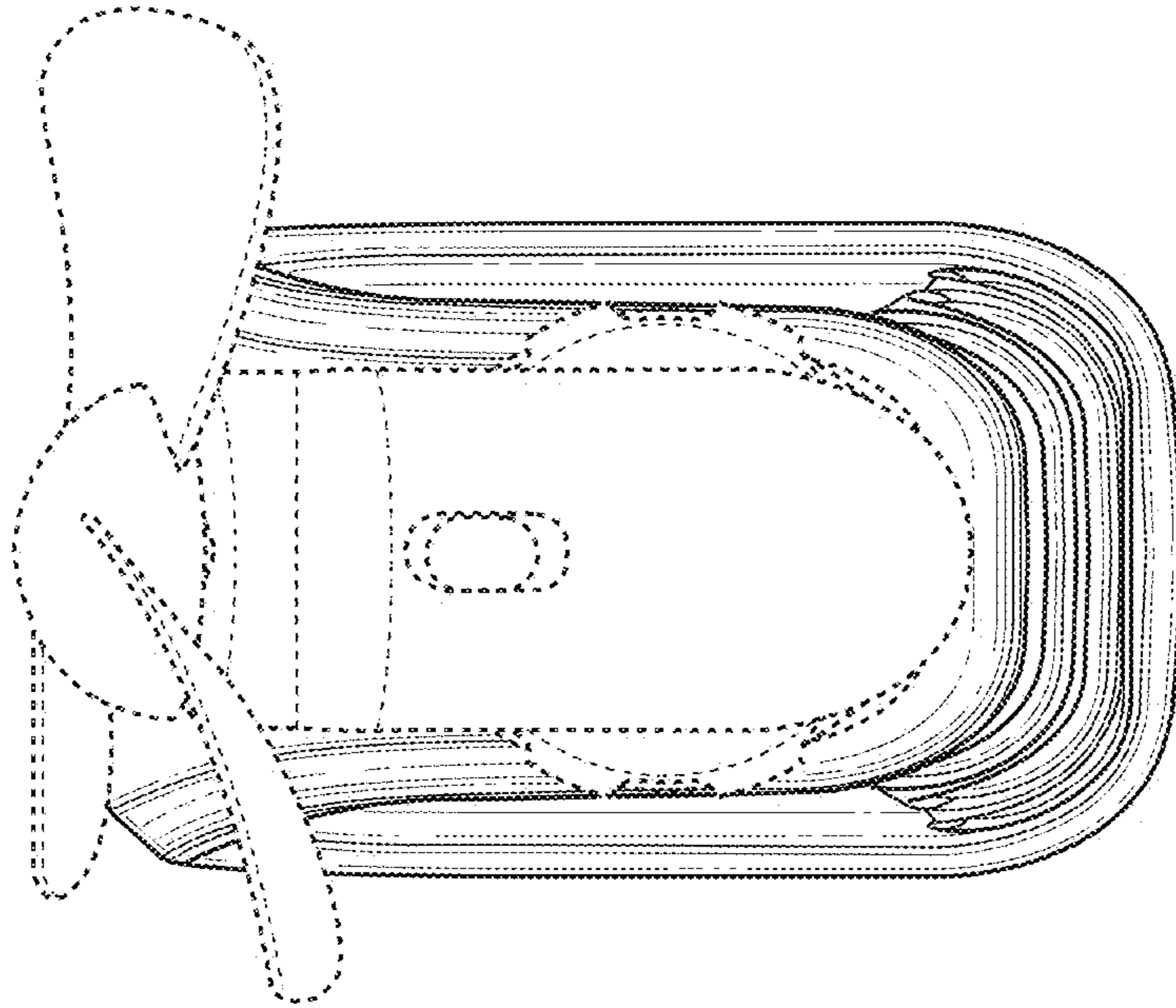


FIG. 7

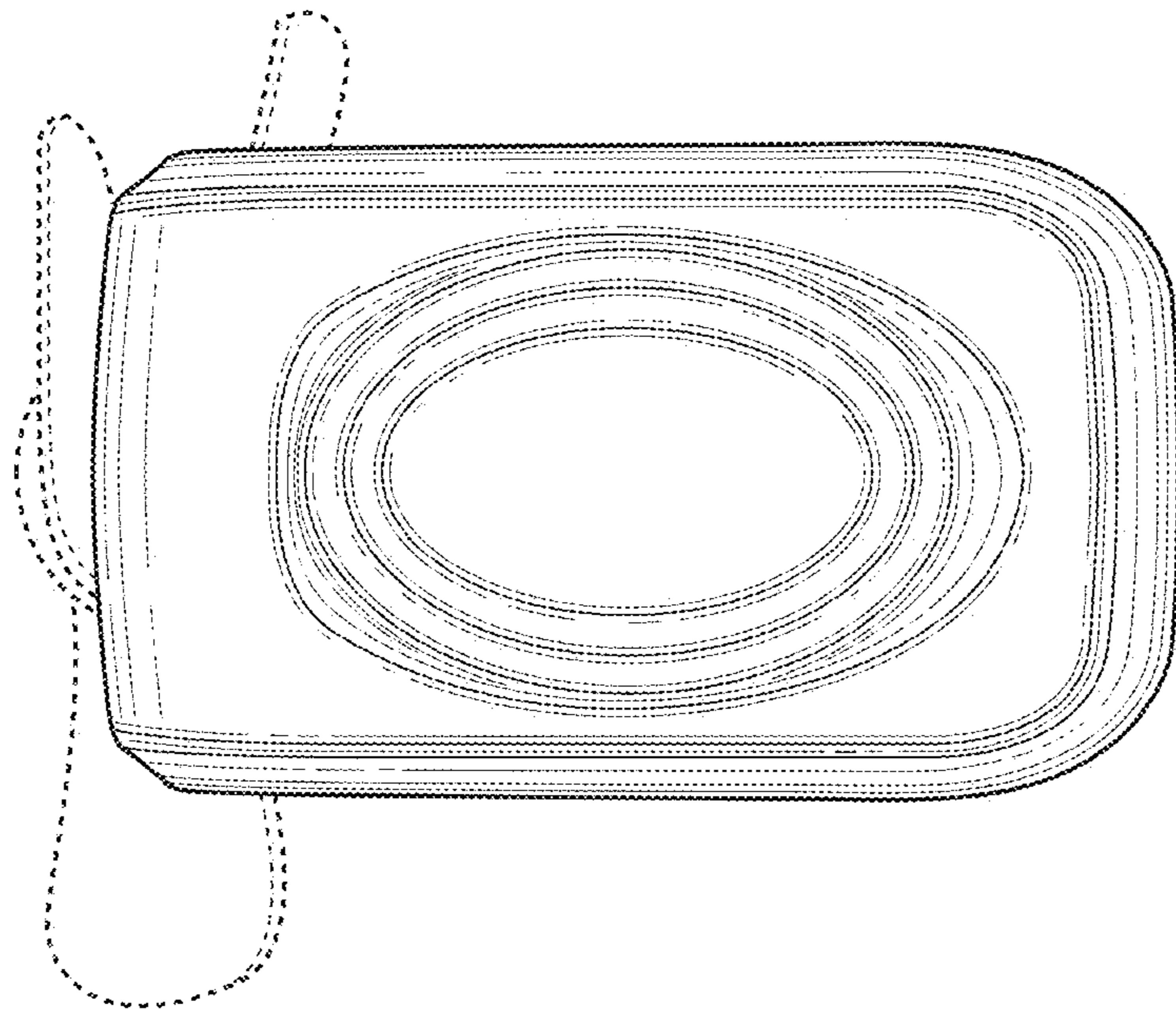


FIG. 8