



US00D741181S

(12) **United States Design Patent**
Bar-Tal et al.

(10) **Patent No.:** **US D741,181 S**
(45) **Date of Patent:** **** Oct. 20, 2015**

(54) **CANISTER PORTION**

(71) Applicant: **Sycamore Israel (1994) Ltd.**, Petach
Tiqva (IL)

(72) Inventors: **Galit Bar-Tal**, Ganei Tiqva (IL); **Oded
Havia-Nevo**, Palmahim (IL); **Rachel
Igra**, Givat Shmuel (IL)

(73) Assignee: **SYCAMORE ISRAEL (1994) LTD.**,
Petach Tiqva (IL)

(**) Term: **14 Years**

(21) Appl. No.: **29/449,343**

(22) Filed: **Apr. 5, 2013**

(51) **LOC (10) Cl.** **09-01**

(52) **U.S. Cl.**

USPC **D9/529**; D9/550; D9/557; D9/449

(58) **Field of Classification Search**

USPC D9/502, 516, 529, 538, 549-550, 557,
D9/447, 449; 220/660, 662, 669, 675;
215/382-384, 396, 398, 400; D7/615;
D30/127

See application file for complete search history.

(56) **References Cited**

U.S. PATENT DOCUMENTS

D96,112 S *	7/1935	Guerlain	D9/502
D105,274 S *	7/1937	Fuerst	D9/502
3,120,974 A *	2/1964	Matson	215/396 X
D303,497 S *	9/1989	Larson	D9/557 X
D319,552 S *	9/1991	Christensen	D6/520
D328,248 S *	7/1992	Ruff	D9/418
D328,946 S *	8/1992	Havrilla	D23/365
D339,514 S *	9/1993	Hirst et al.	D9/692
D360,829 S *	8/1995	Leeds	D9/538 X
D362,441 S *	9/1995	Mark	D14/216
D363,027 S *	10/1995	Mansau	D9/557 X

(Continued)

Primary Examiner — Carol P Rademaker

(74) *Attorney, Agent, or Firm* — Daniel Feigelson; Fourth
Dimension IP

(57) **CLAIM**

The ornamental design for a canister portion, as shown and
described.

DESCRIPTION

FIG. 1 is a front elevational view of a canister with the lid in
an open position, showing our new design;

FIG. 2 is a front elevational view thereof, with the lid in a
closed position;

FIG. 3 is a back elevational view thereof, with the lid in an
open position;

FIG. 4 is a back elevational view thereof, with the lid in a
closed position;

FIG. 5 is a left side elevational view thereof, with the lid in an
open position;

FIG. 6 is a left side elevational view thereof, with the lid in a
closed position;

FIG. 7 is a right side elevational view thereof, with the lid in
an open position;

FIG. 8 is a right side elevational view thereof, with the lid in
a closed position;

FIG. 9 is a top plan view thereof, with the lid in an open
position;

FIG. 10 is a top plan view thereof, with the lid in a closed
position;

FIG. 11 is a bottom plan view thereof, with the lid in an open
position;

FIG. 12 is a bottom plan view thereof, with the lid in a closed
position;

FIG. 13 is a top, front, right side isometric view thereof, with
the lid in an open position;

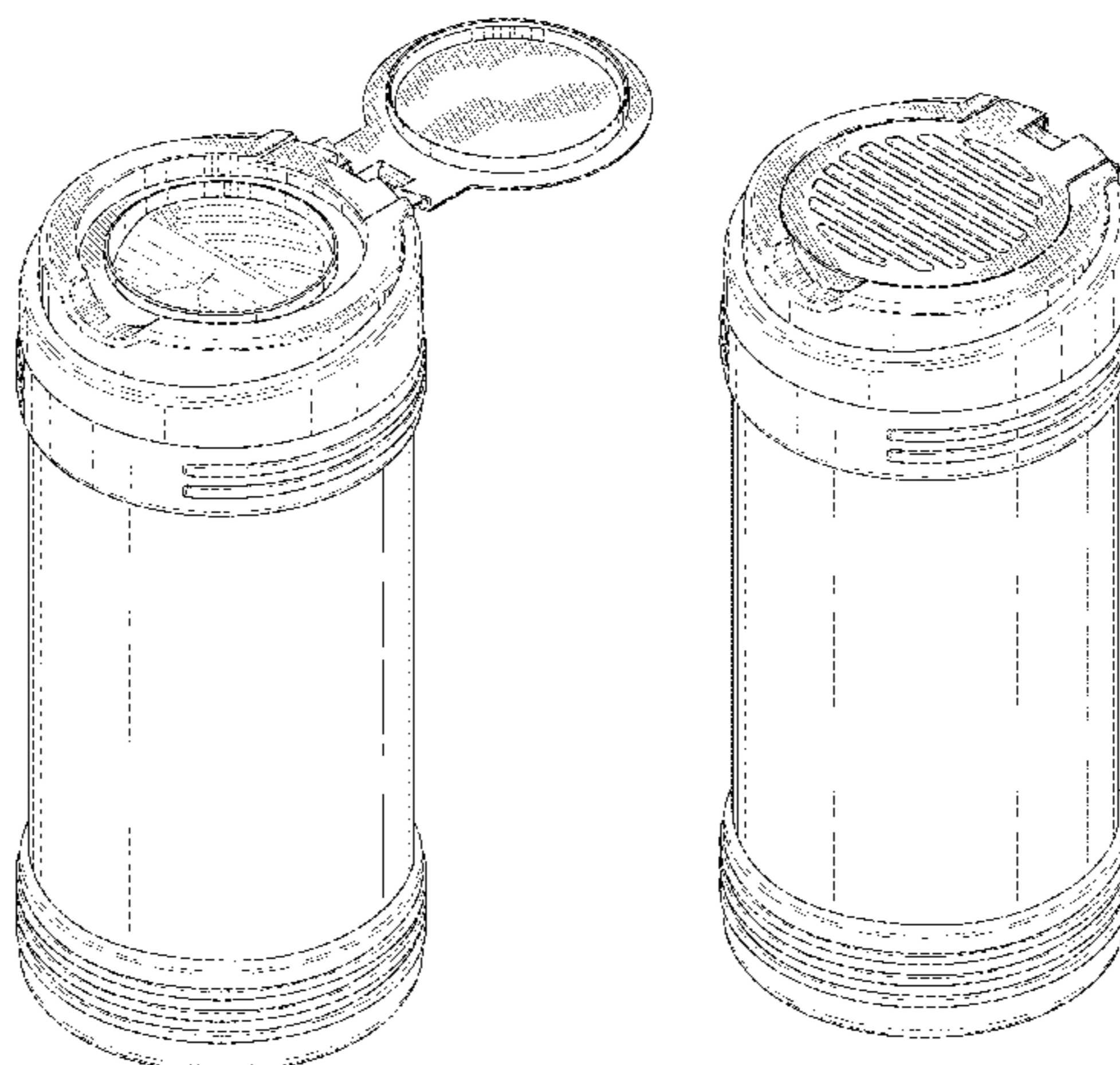
FIG. 14 is a top, front, right side isometric view thereof, with
the lid in a closed position;

FIG. 15 is a top, front, right side exploded view thereof, with
the lid in an open position; and,

FIG. 16 is a top, front, right side exploded view thereof, with
the lid in a closed position.

The broken lines are for purposes of illustrating unclaimed
portions of the canister and form no part of the claimed
design.

1 Claim, 16 Drawing Sheets



(56)

References Cited

U.S. PATENT DOCUMENTS

D363,642 S *	10/1995	Goto et al.	D7/523 X	D515,916 S *	2/2006	Bleuer	D9/428
D398,532 S *	9/1998	Crawford	D9/502	D561,032 S *	2/2008	Fuchs	D9/529
D426,772 S *	6/2000	Kahl	D9/449	D591,589 S *	5/2009	Myers et al.	D7/615 X
6,279,775 B1 *	8/2001	Parkes et al.	221/185 X	D619,471 S *	7/2010	Graunstadt et al.	D9/558 X
D448,290 S *	9/2001	Schultz et al.	D9/503	D677,572 S *	3/2013	Papiernik	D9/529
D501,793 S *	2/2005	Carmichael et al.	D9/538 X	D704,057 S *	5/2014	Bar-Tal et al.	D9/449
				D721,965 S *	2/2015	Lindstrom	D9/502 X
				2005/0061826 A1 *	3/2005	Long et al.	221/33
				2005/0087543 A1 *	4/2005	Smith	221/63

* cited by examiner

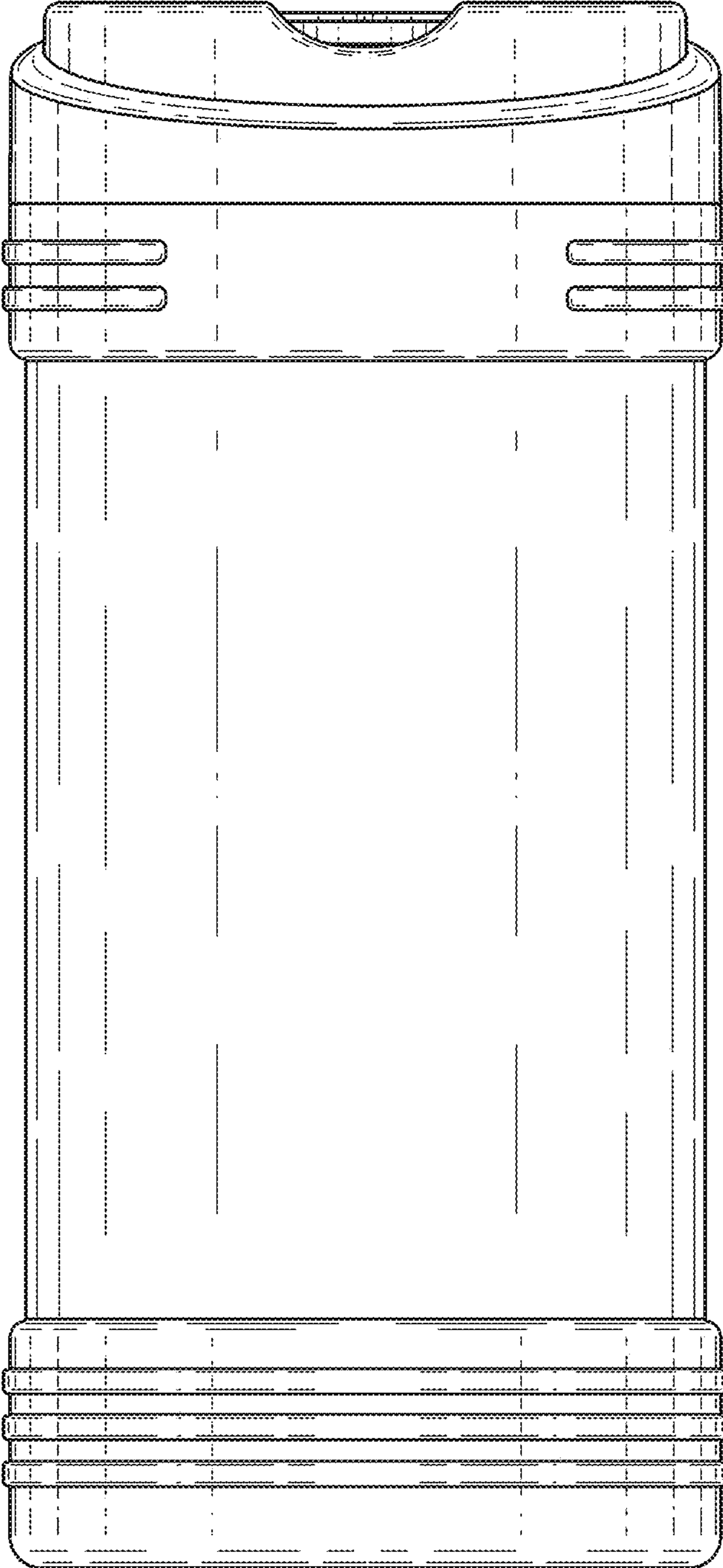


FIG. 1

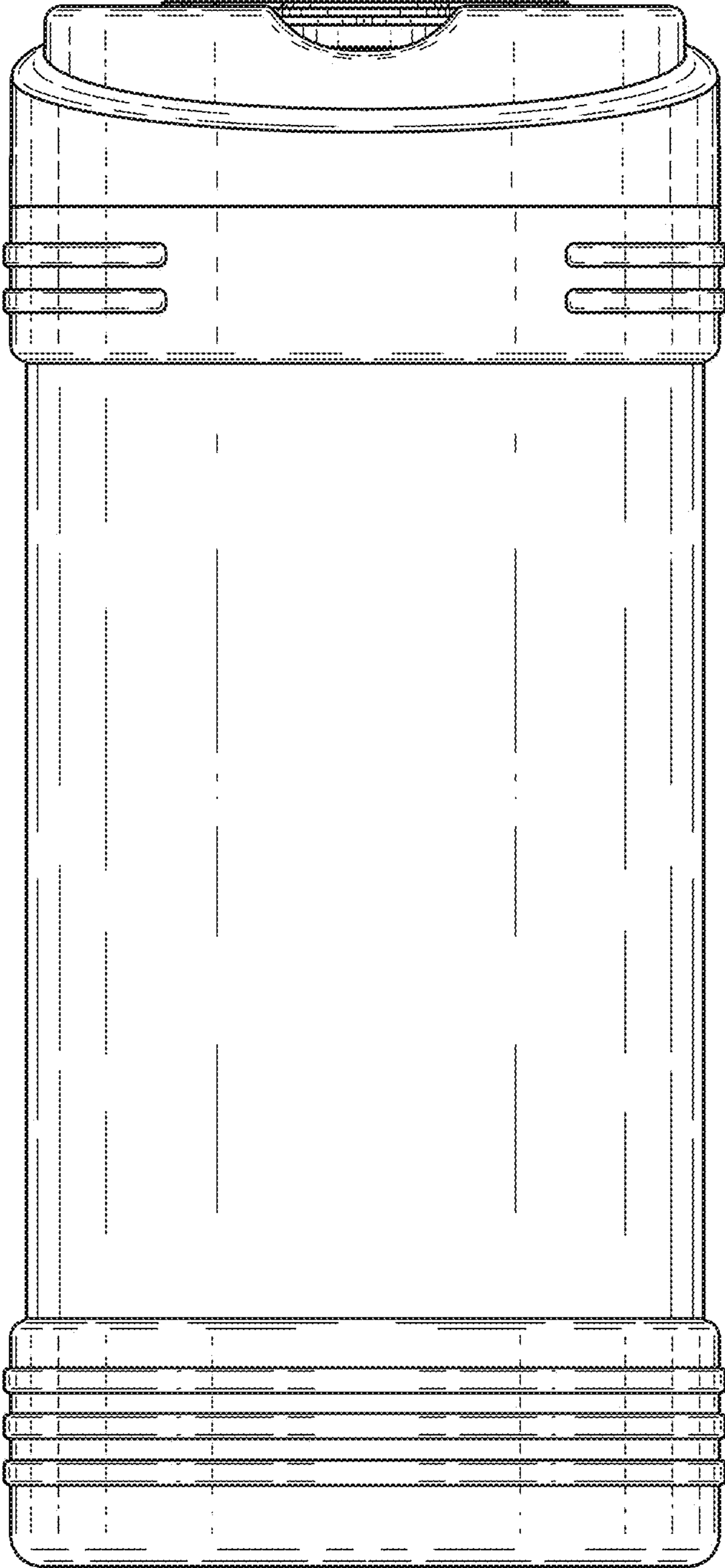


FIG. 2

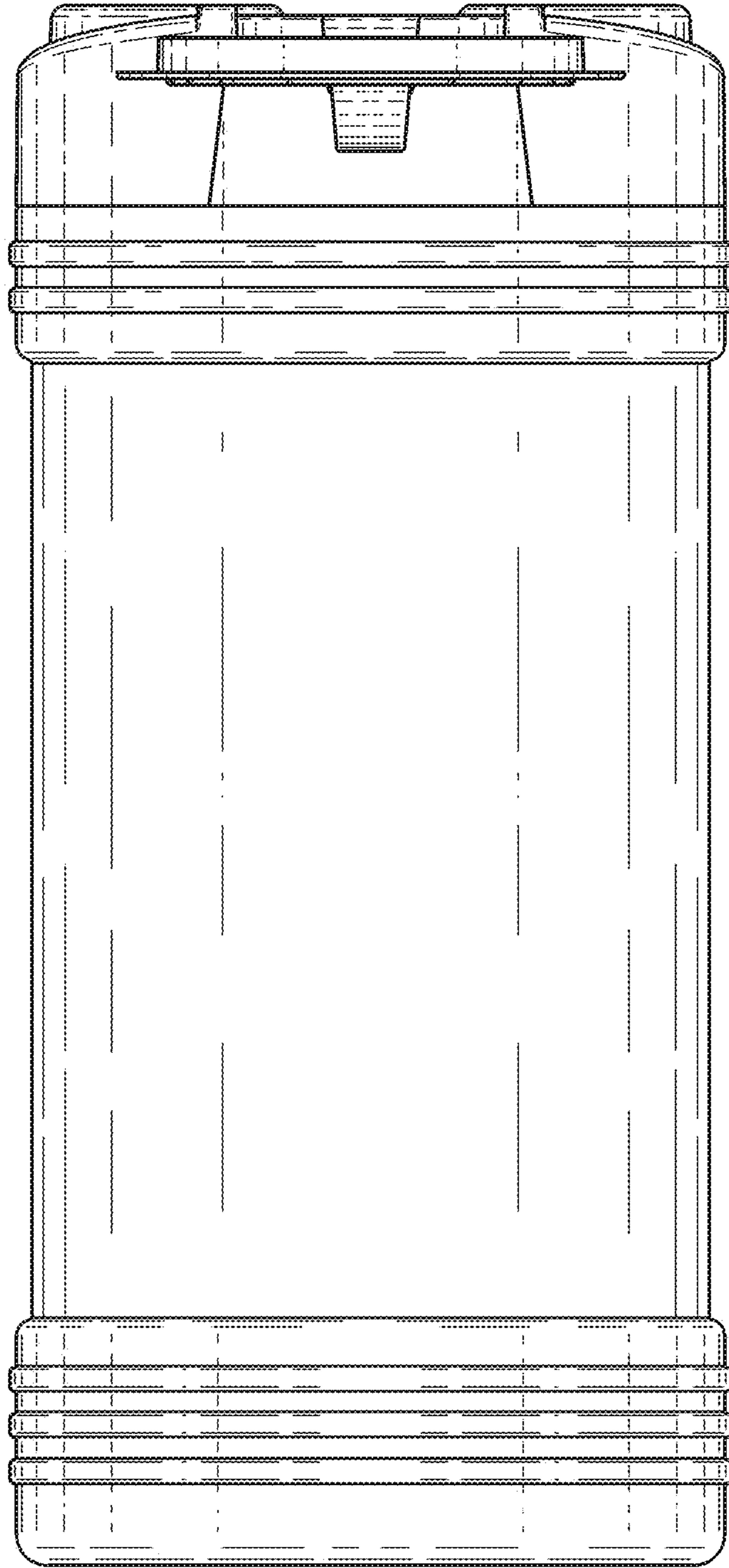


FIG. 3

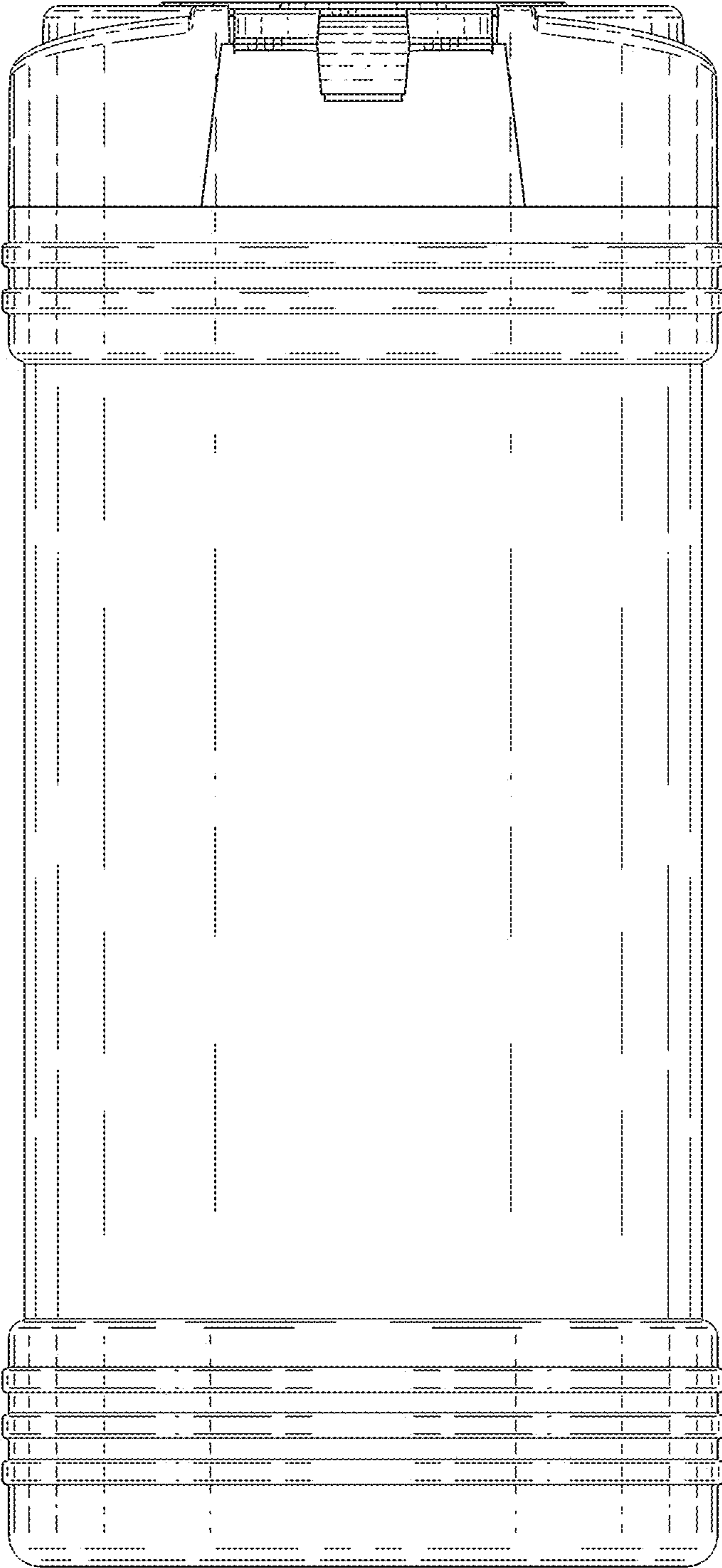


FIG. 4

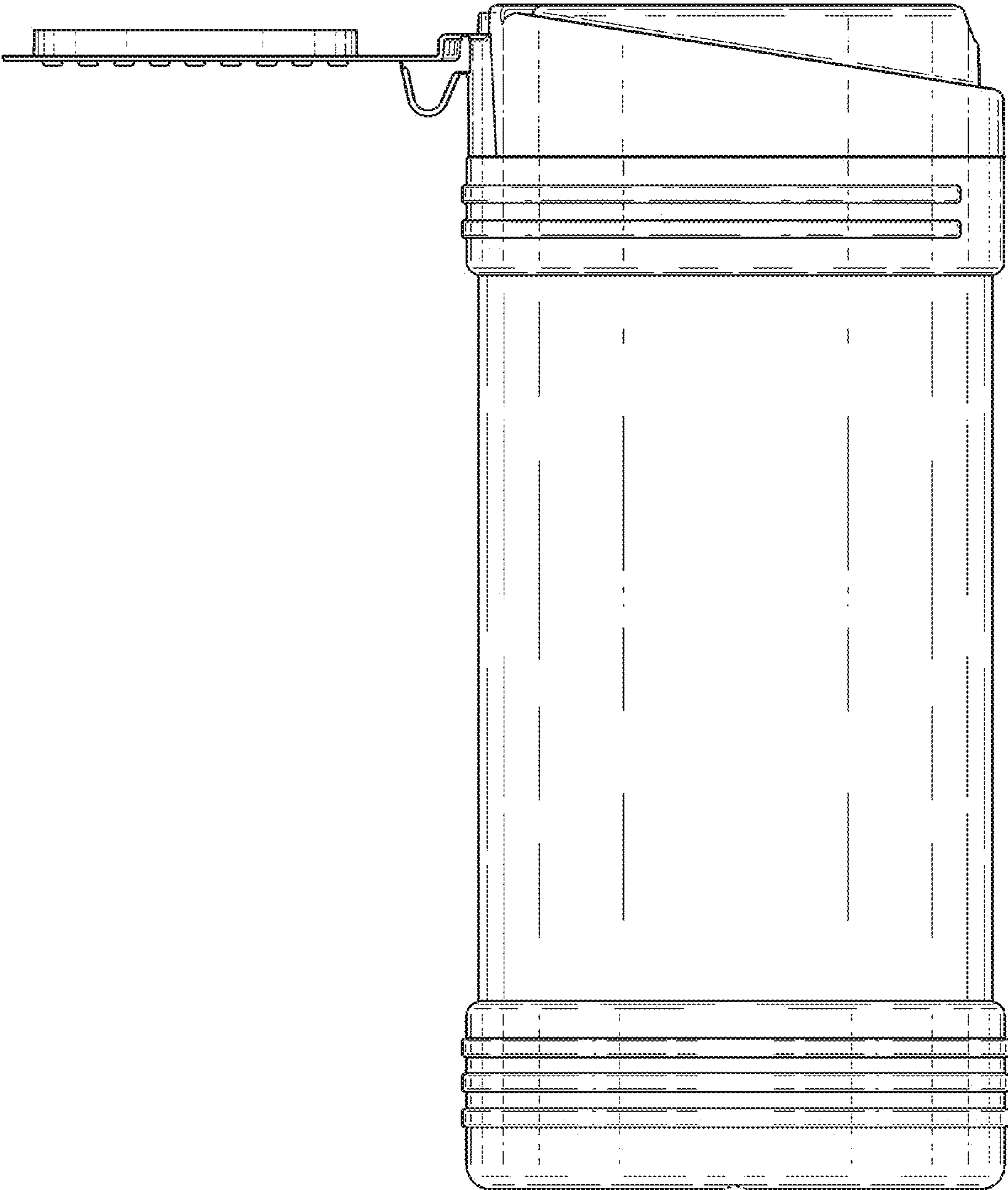


FIG. 5

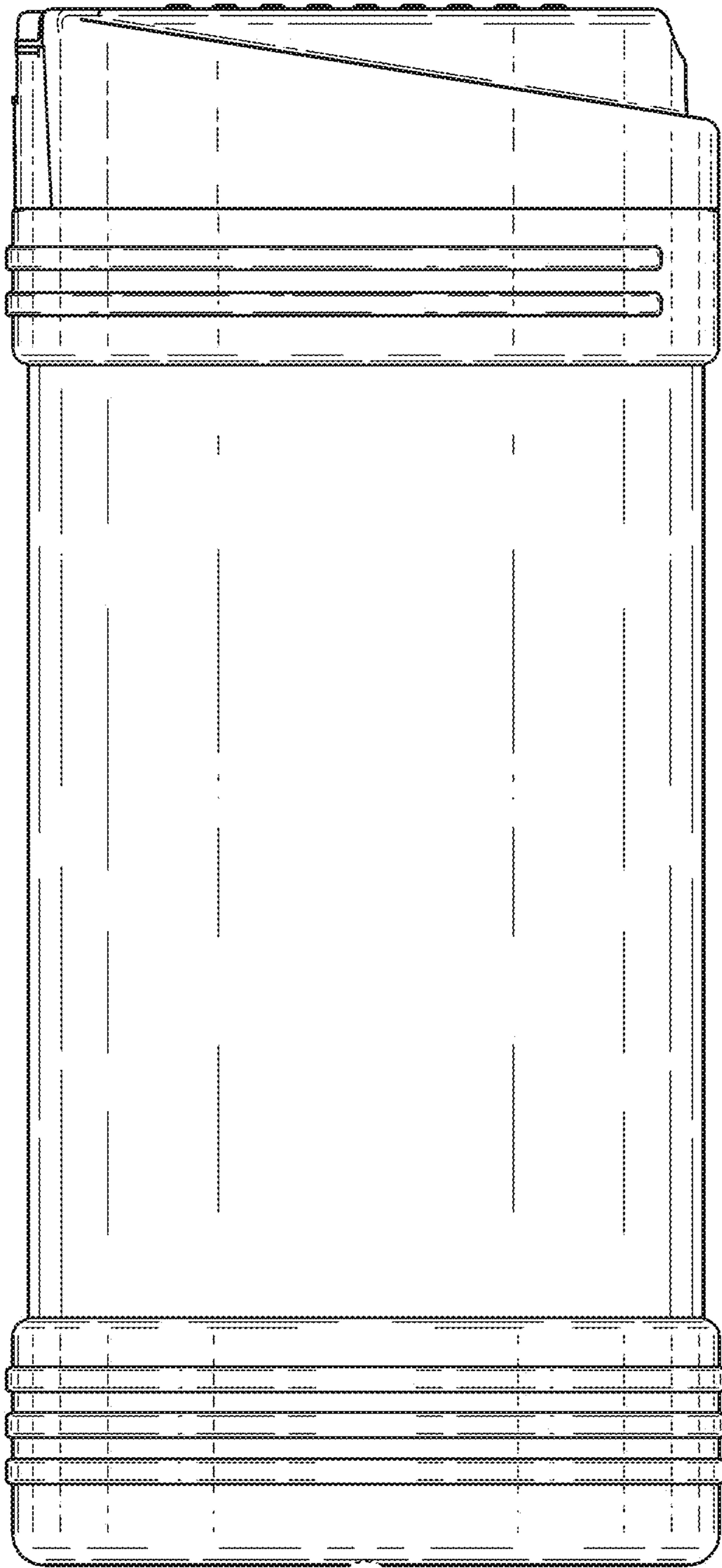


FIG. 6

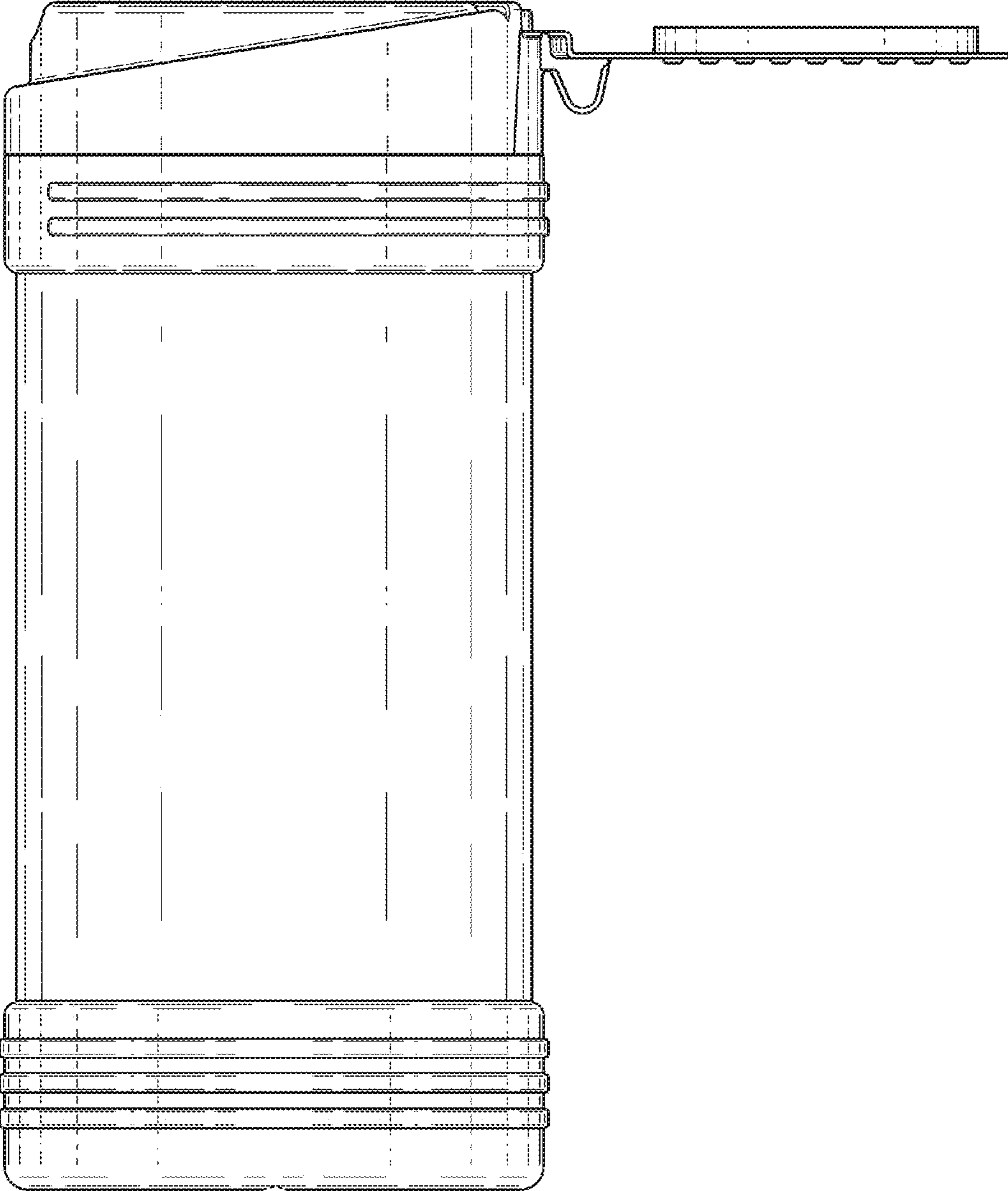


FIG. 7

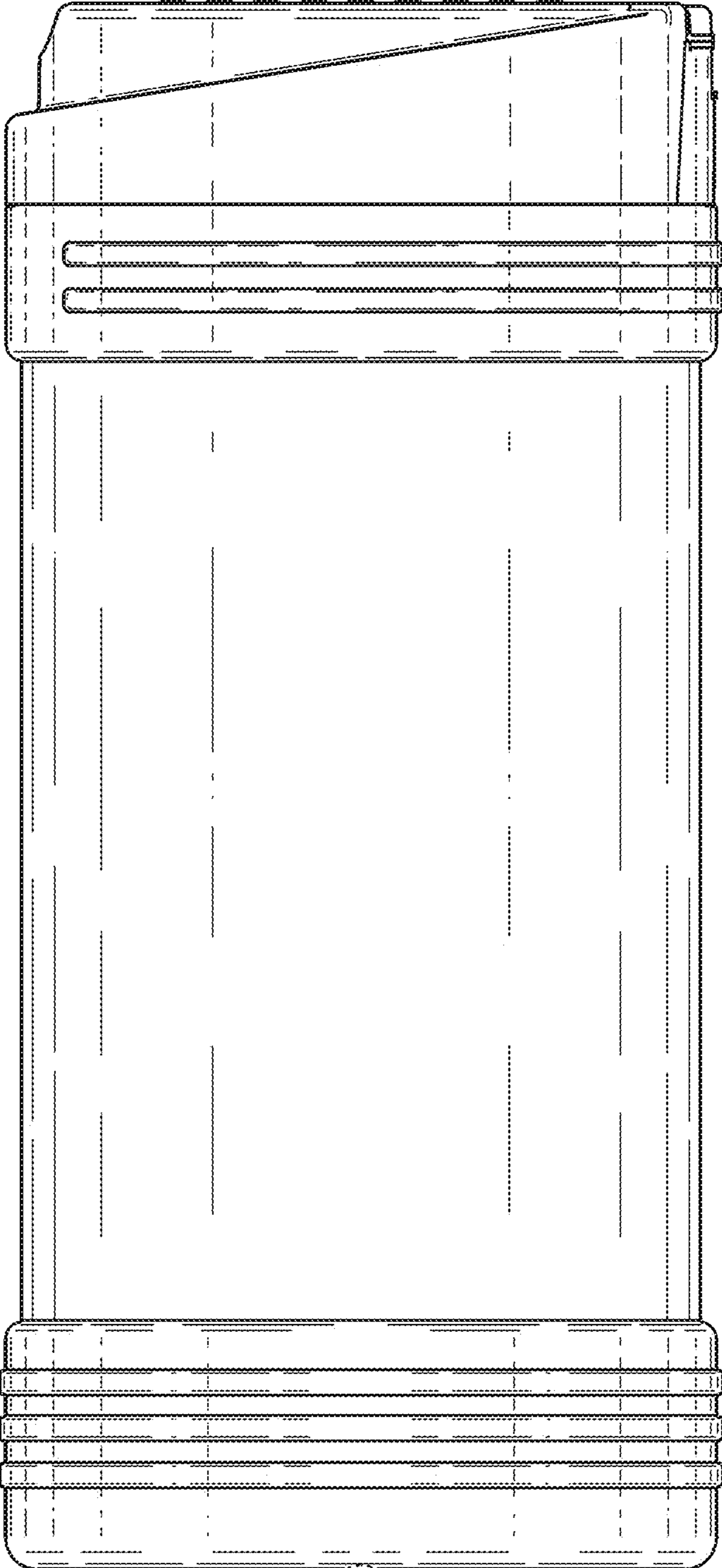


FIG. 8

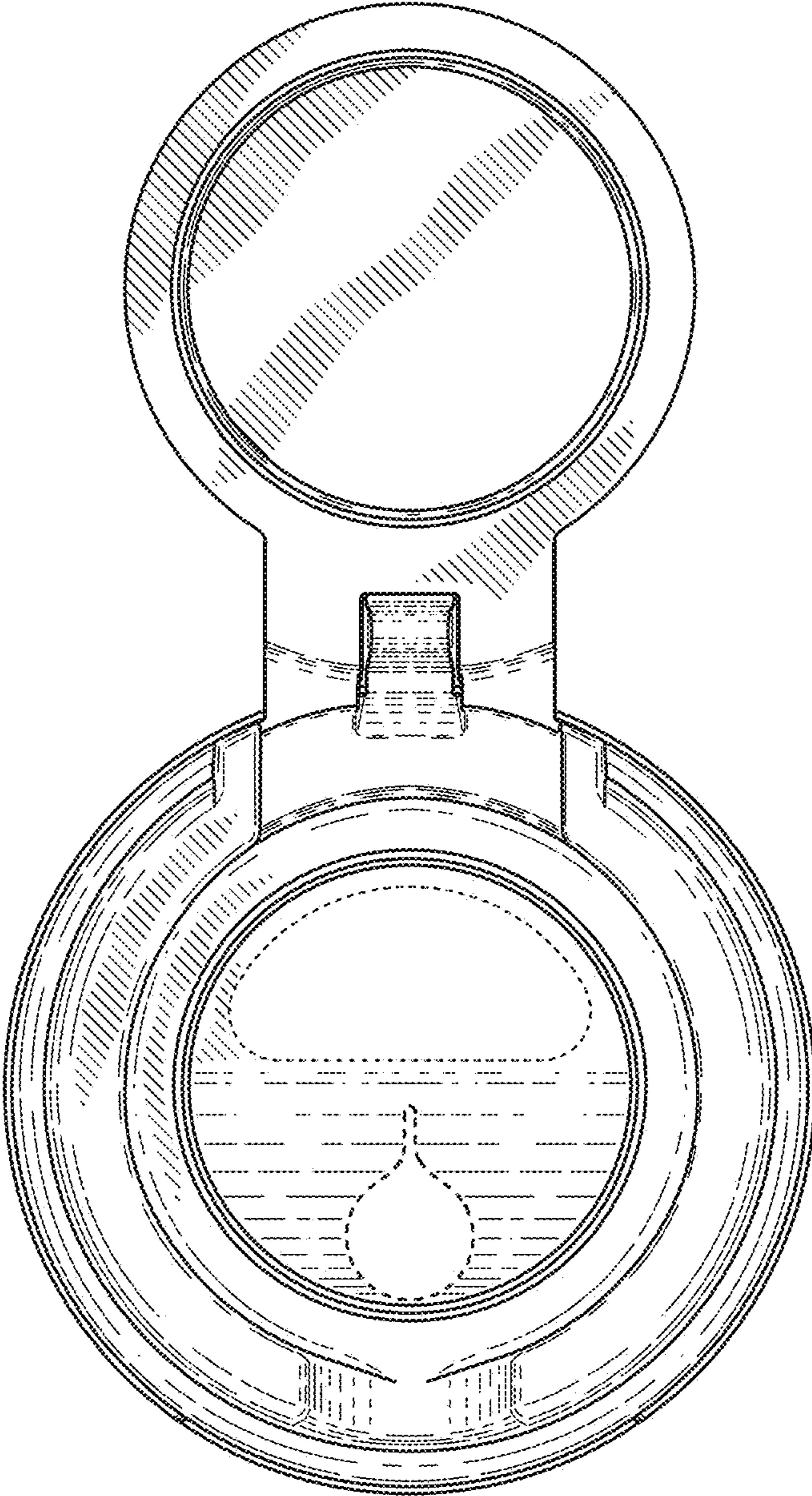


FIG. 9

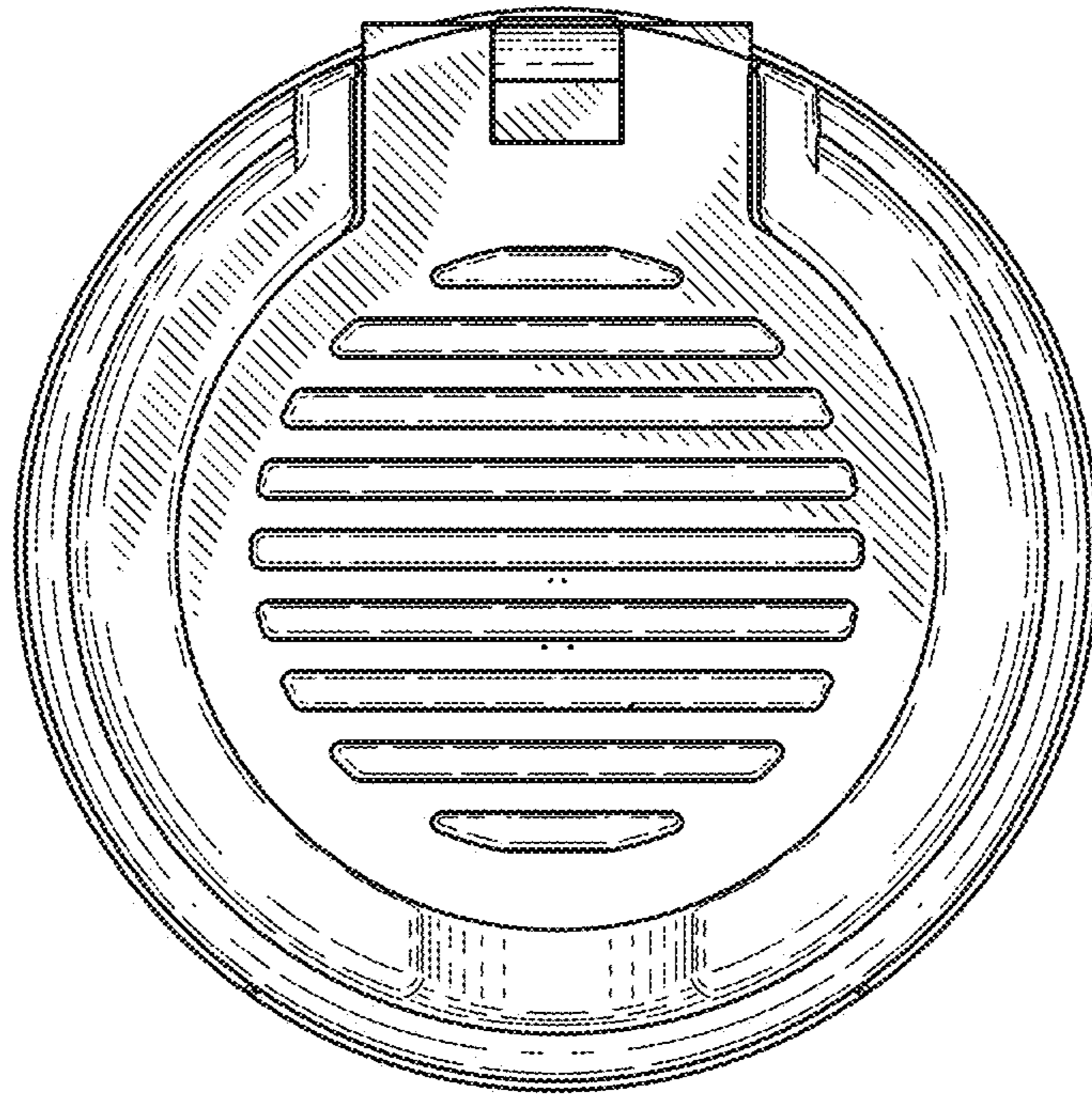


FIG. 10

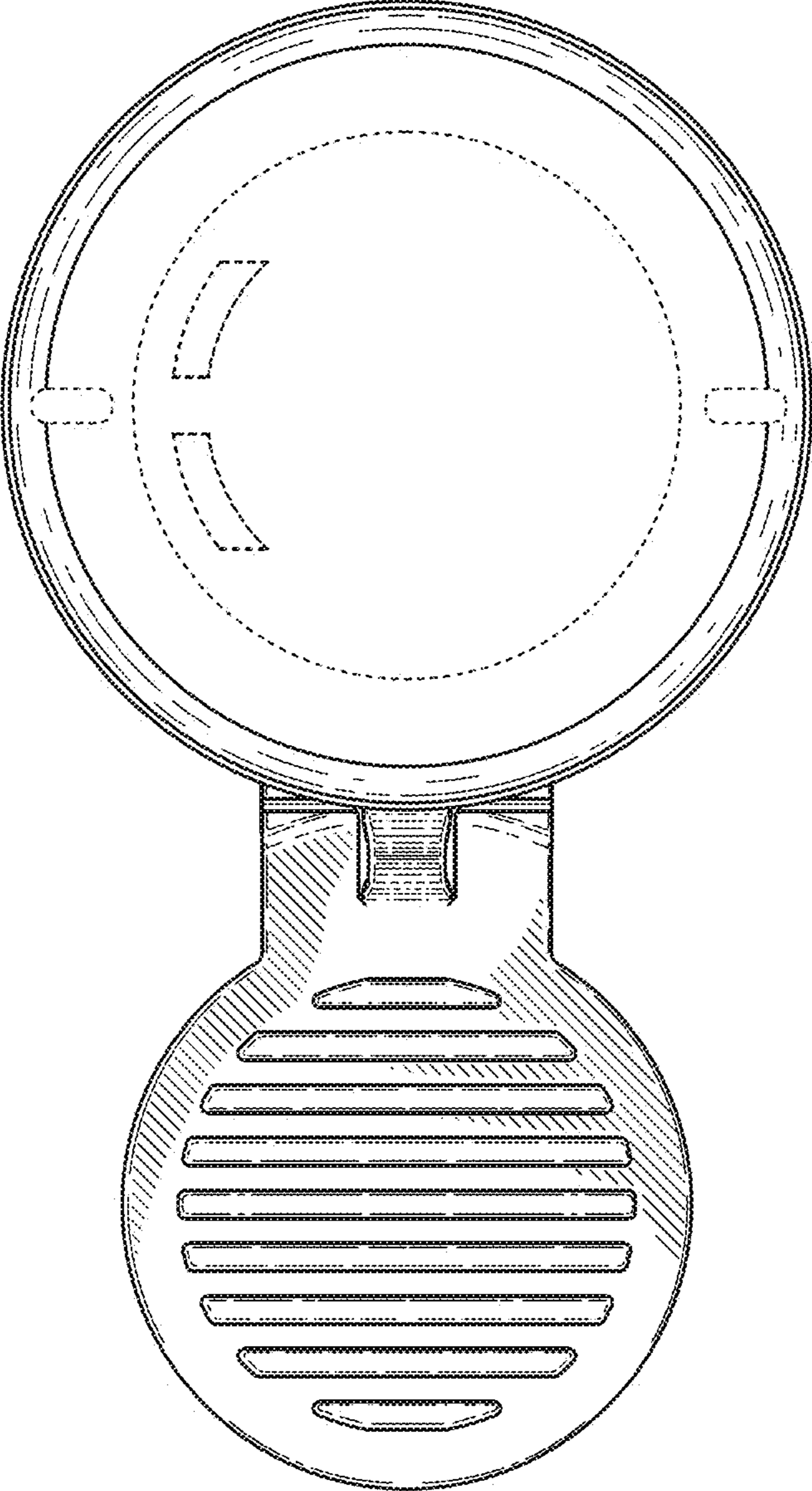


FIG. 11

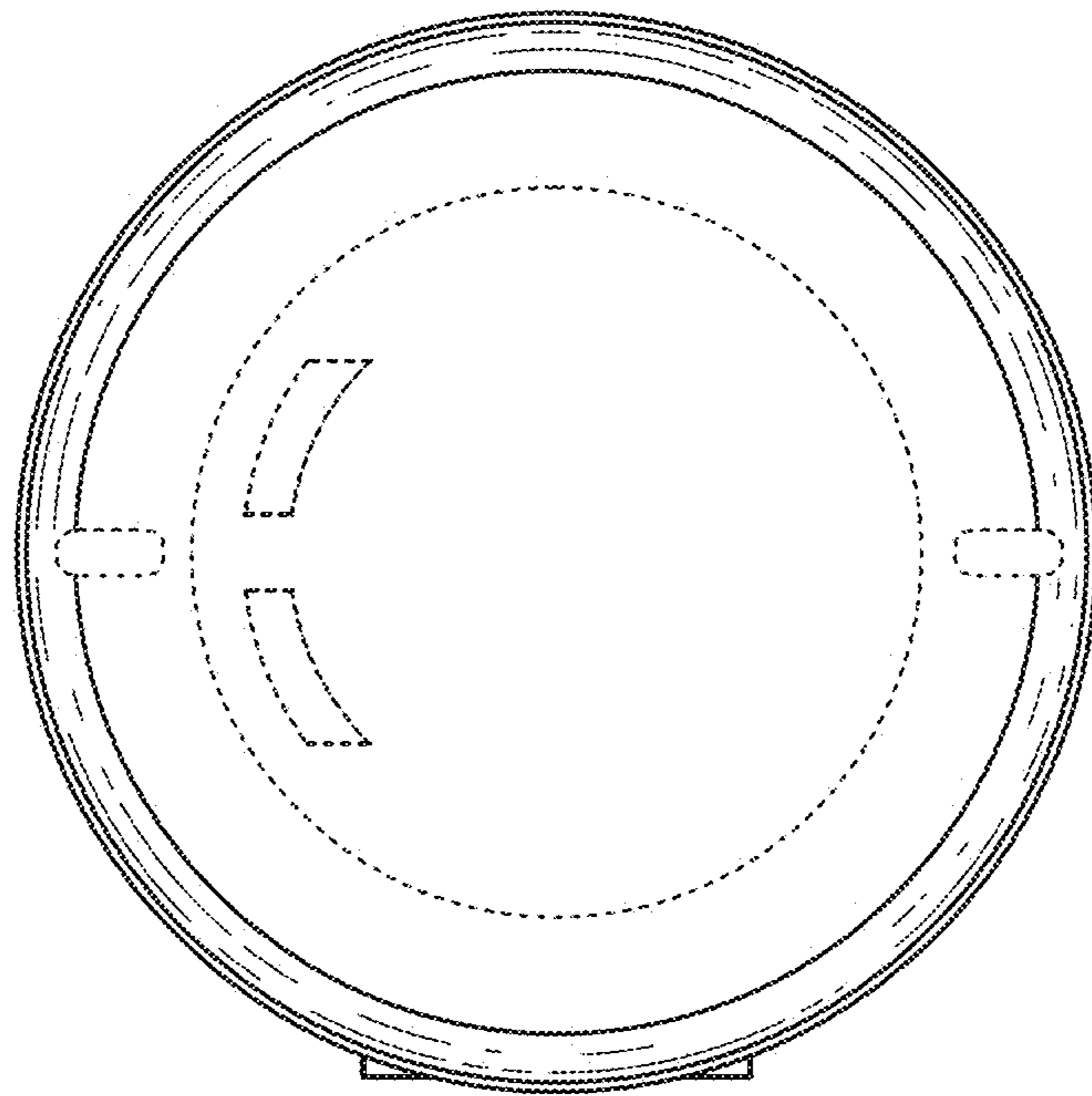


FIG. 12

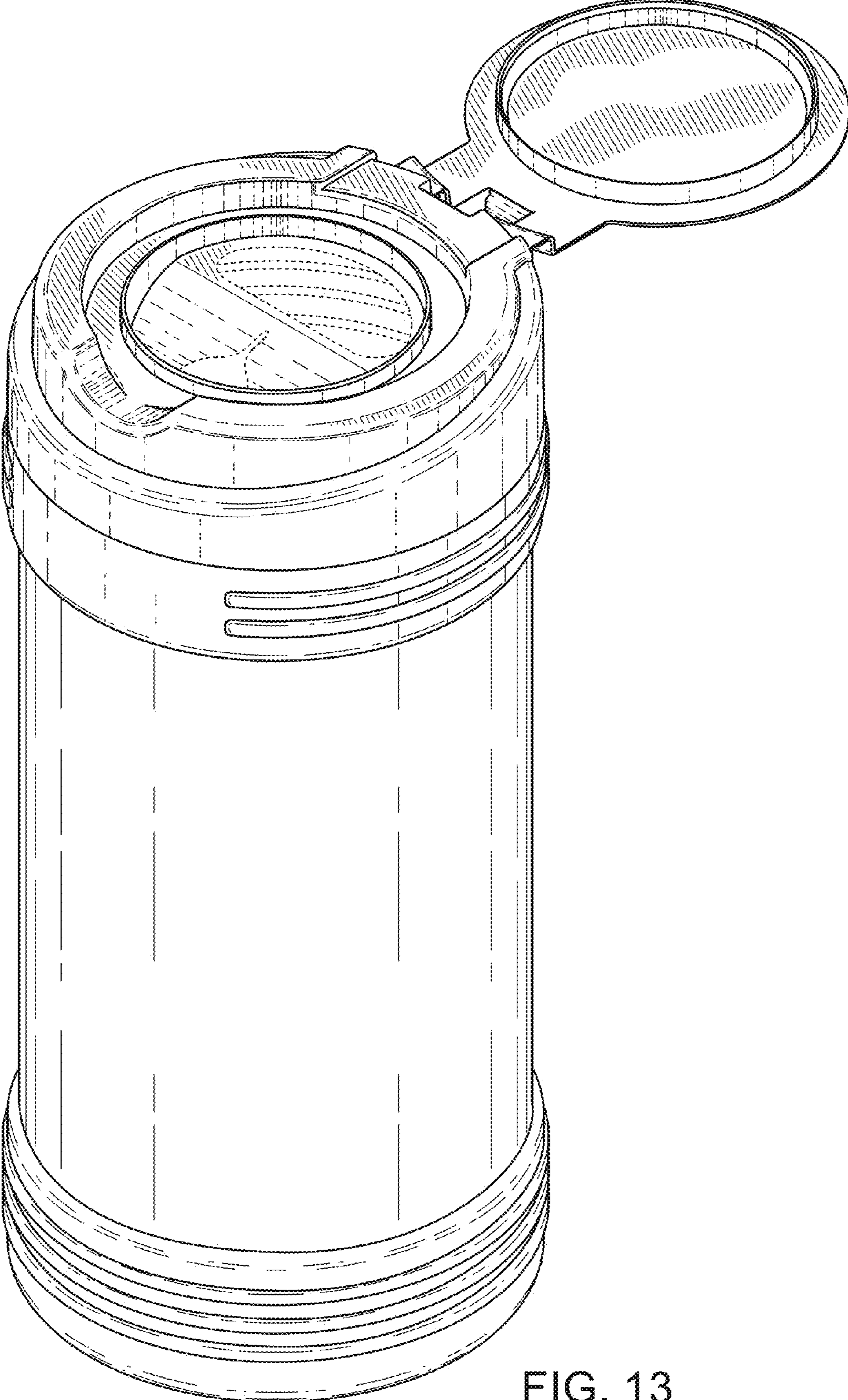


FIG. 13

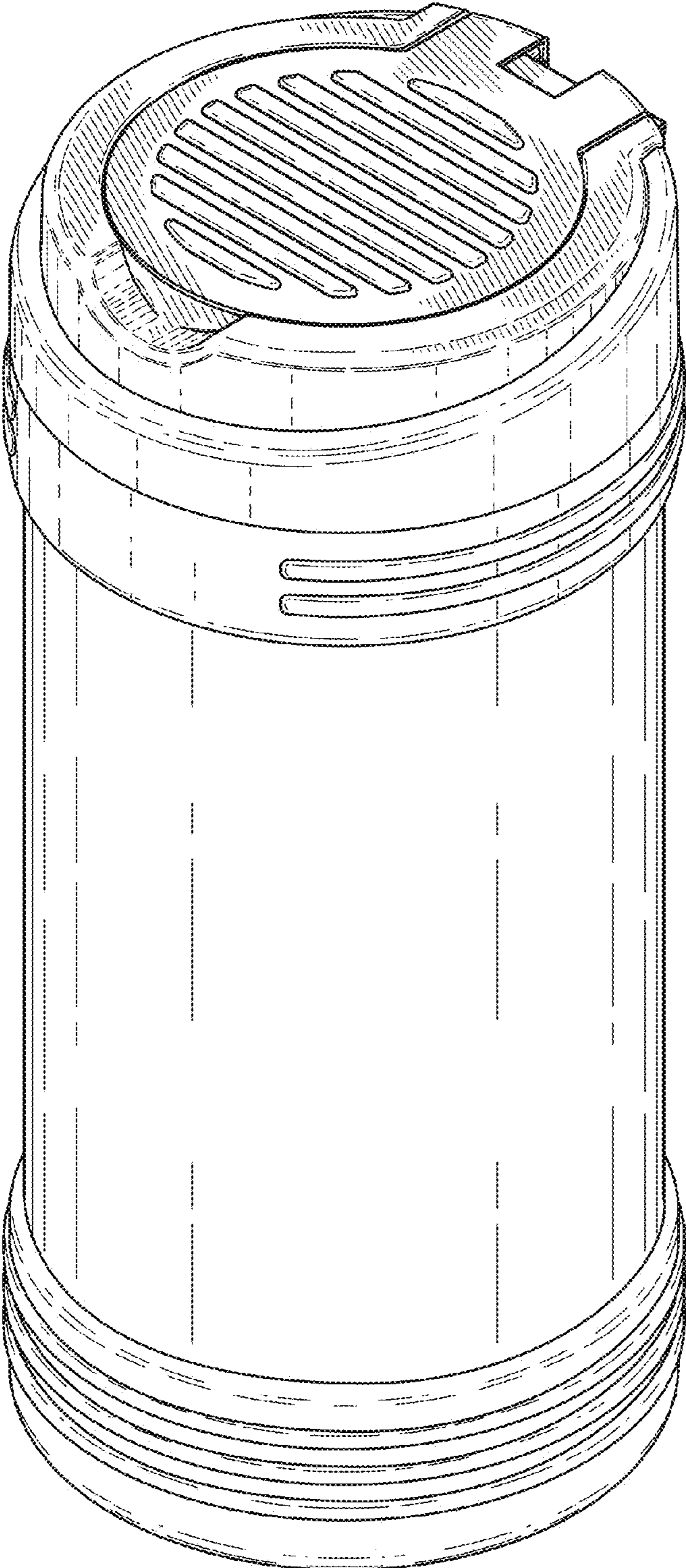


FIG. 14

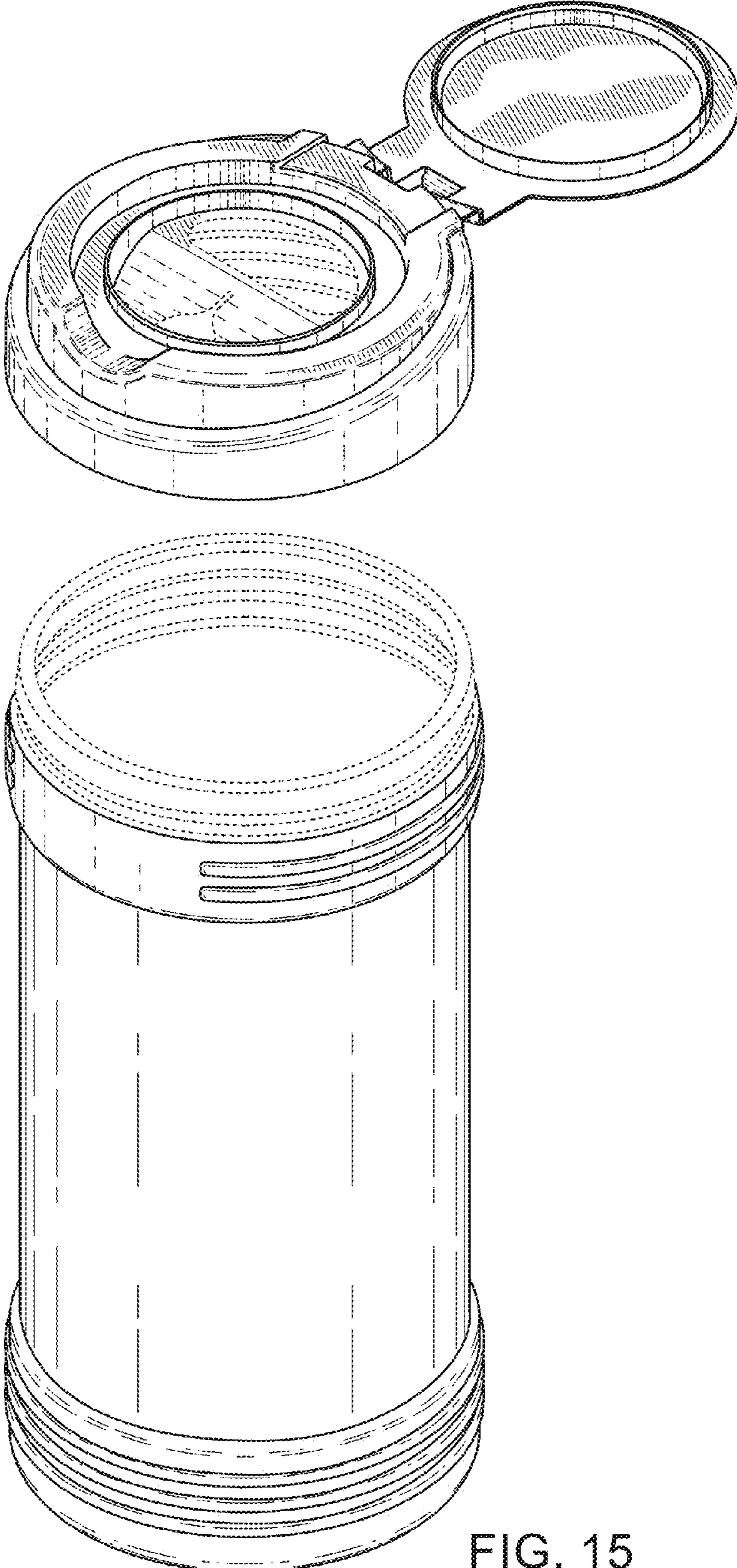


FIG. 15

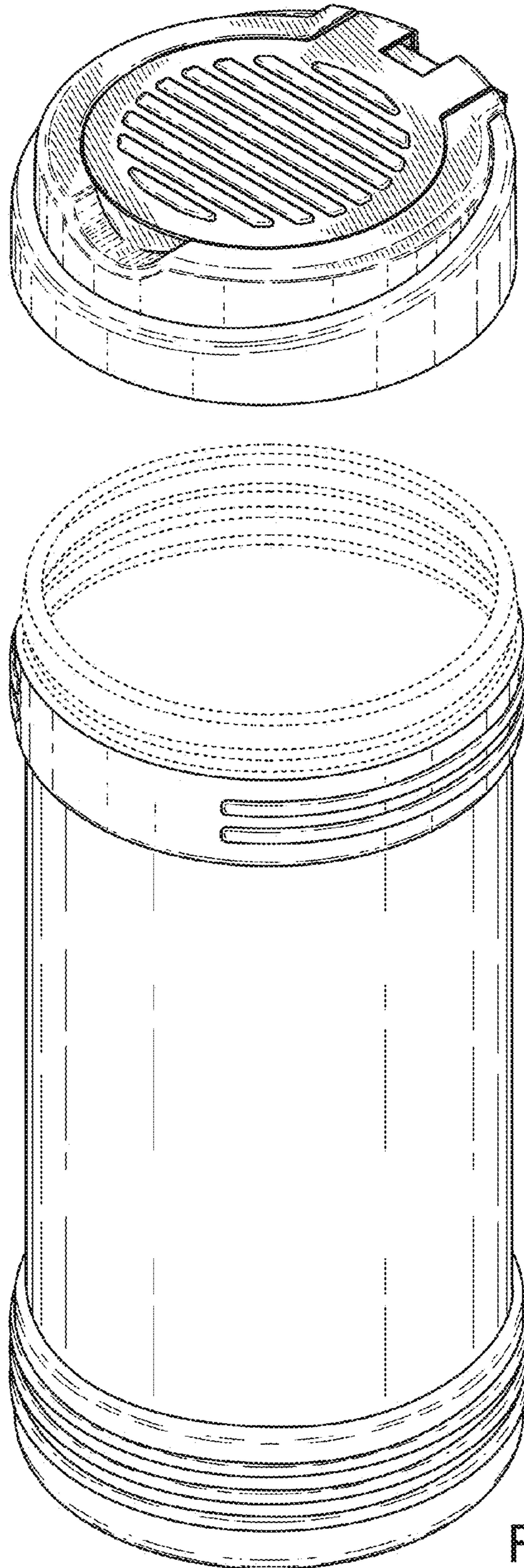


FIG. 16