



US00D741177S

(12) **United States Design Patent**
Higareda et al.

(10) **Patent No.:** **US D741,177 S**
(45) **Date of Patent:** **** Oct. 20, 2015**

(54) **BOTTLE**

(71) Applicant: **S.C. Johnson & Son, Inc.**, Racine, WI (US)

(72) Inventors: **Jose deJesus Castillo Higareda**, Racine, WI (US); **Peter Neumann**, Racine, WI (US); **Silvio Colombo**, Buenos Aires (AR); **Franco Mercado**, Buenos Aires (AR); **Giorgio Mingarelli**, Hard (AT); **Martin Picha**, Hard (AT); **Stephanie Schütz**, Hard (AT)

(73) Assignee: **S.C. Johnson & Son, Inc.**, Racine, WI (US)

(**) Term: **14 Years**

(21) Appl. No.: **29/448,023**

(22) Filed: **Mar. 8, 2013**

(51) **LOC (10) Cl.** **09-01**

(52) **U.S. Cl.**
USPC **D9/516; D9/552; D9/571**

(58) **Field of Classification Search**
USPC **D9/516, 552, 565, 575**
See application file for complete search history.

(56) **References Cited**

U.S. PATENT DOCUMENTS

D386,688 S *	11/1997	Fenton et al.	D9/543
D411,748 S	6/1999	Klima, Jr. et al.		
D419,455 S	1/2000	Macauley et al.		
D443,828 S	6/2001	Meeker et al.		
D447,954 S	9/2001	Cummings		
D452,446 S	12/2001	Shear		
D473,795 S *	4/2003	Calello et al.	D9/528
D473,796 S *	4/2003	Calello et al.	D9/528
D487,401 S	3/2004	Cotton et al.		
D498,679 S	11/2004	Meeker et al.		
D504,614 S	5/2005	Schuller et al.		
D510,869 S *	10/2005	Gross et al.	D9/523
D526,902 S	8/2006	Cummings		

D528,416 S	9/2006	Isono et al.		
D530,215 S	10/2006	Brown et al.		
D538,174 S	3/2007	Isono et al.		
D552,479 S	10/2007	Mongeon et al.		
D556,598 S *	12/2007	Culeron et al.	D9/565
D570,702 S	6/2008	Adamson et al.		
D573,477 S	7/2008	Caldwell		
D596,947 S *	7/2009	Mengeu et al.	D9/543
D610,461 S	2/2010	Billig et al.		

(Continued)

FOREIGN PATENT DOCUMENTS

EM	000051859-0001	10/2003
EM	000204193-0001	9/2004

(Continued)

Primary Examiner — Carol P Rademaker

(57) **CLAIM**

The ornamental design for a bottle, as shown and described.

DESCRIPTION

FIG. 1 is a top, front, right side perspective view of a bottle showing our new design;

FIG. 2 is a front elevational view thereof;

FIG. 3 is a rear elevational view thereof;

FIG. 4 is a left side elevational view thereof;

FIG. 5 is a right side elevational view thereof;

FIG. 6 is a top plan view thereof; and,

FIG. 7 is a bottom plan view thereof.

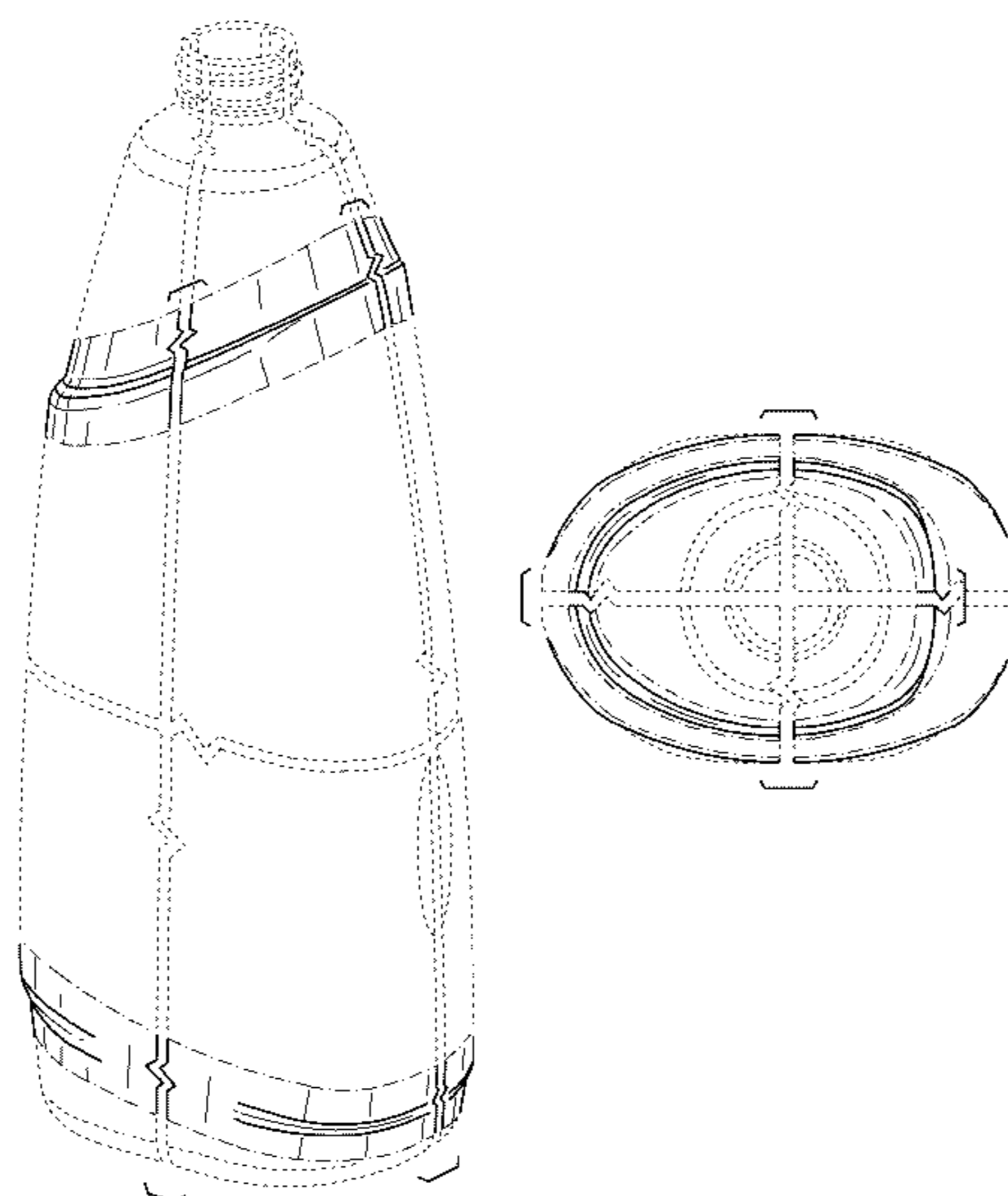
The dot-dot-dot-dot broken lines shown in the drawings represent portions of the bottle which form no part of the claimed design.

The dot-dash-dot-dash broken lines shown in the drawings represent the boundaries of the claimed design.

The broken away symbols in the drawings indicate that the appearance of any portion of the article between the break lines forms no part of the claimed design.

In a preferred embodiment, the nature of this product is a bottle suitable for holding and dispensing a cleaning solution.

1 Claim, 6 Drawing Sheets



(56)

References Cited

D722,879 S * 2/2015 Castillo Higareda et al. . D9/528
D722,882 S * 2/2015 Castillo Higareda et al. . D9/543

U.S. PATENT DOCUMENTS

FOREIGN PATENT DOCUMENTS

D626,004 S 10/2010 McCay et al.
D627,229 S 11/2010 Shi
D632,586 S 2/2011 Bowers et al.
D639,666 S 6/2011 Hawry et al.
D660,714 S * 5/2012 Castillo Higareda et al. . D9/543
D663,627 S * 7/2012 Castillo Higareda et al. . D9/543
D674,285 S * 1/2013 Thijssen D9/543
D674,286 S * 1/2013 Thijssen D9/543
D679,189 S * 4/2013 Miiller et al. D9/523
D679,190 S * 4/2013 Jacokes et al. D9/523

EM 000497342-0002 5/2006
EM 000647391-0001 4/2007
EM 000808357-0003 11/2007
EM 000967815-0018 7/2008
WO DM/070816 4/2009
WO DM/071179 7/2009
WO DM079460 11/2012

* cited by examiner

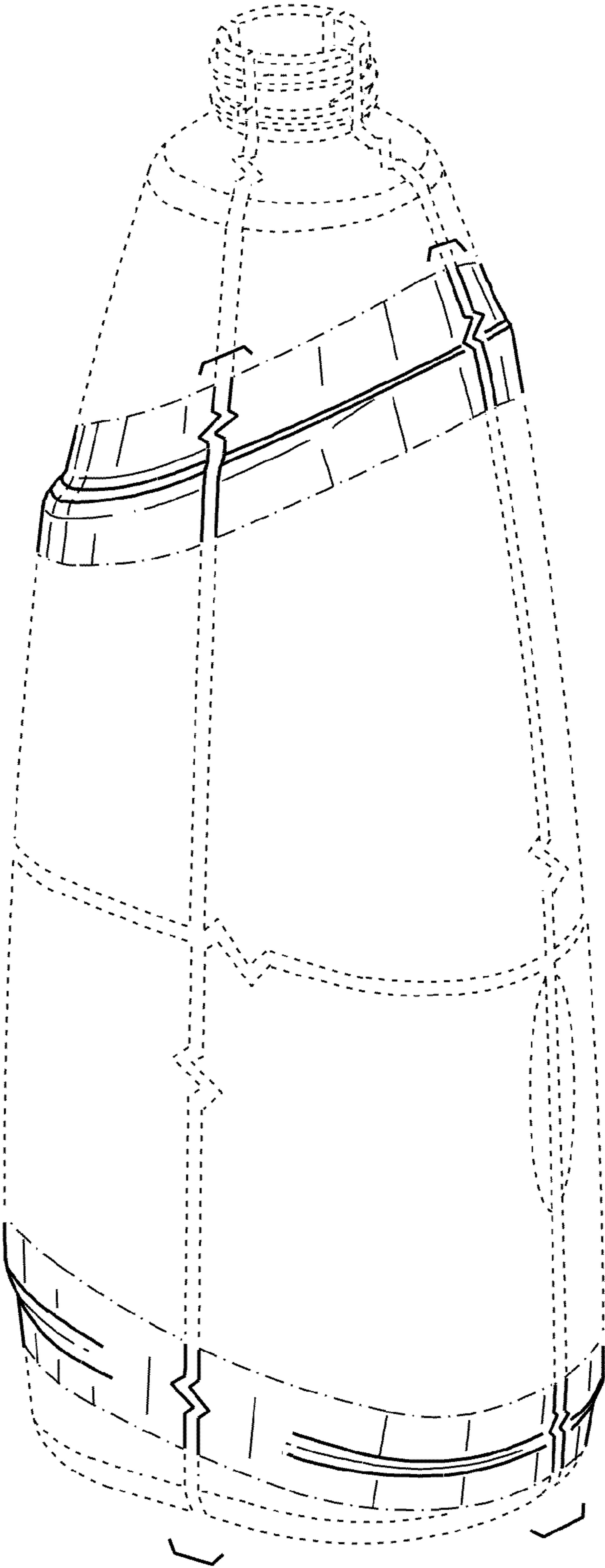


FIG. 1

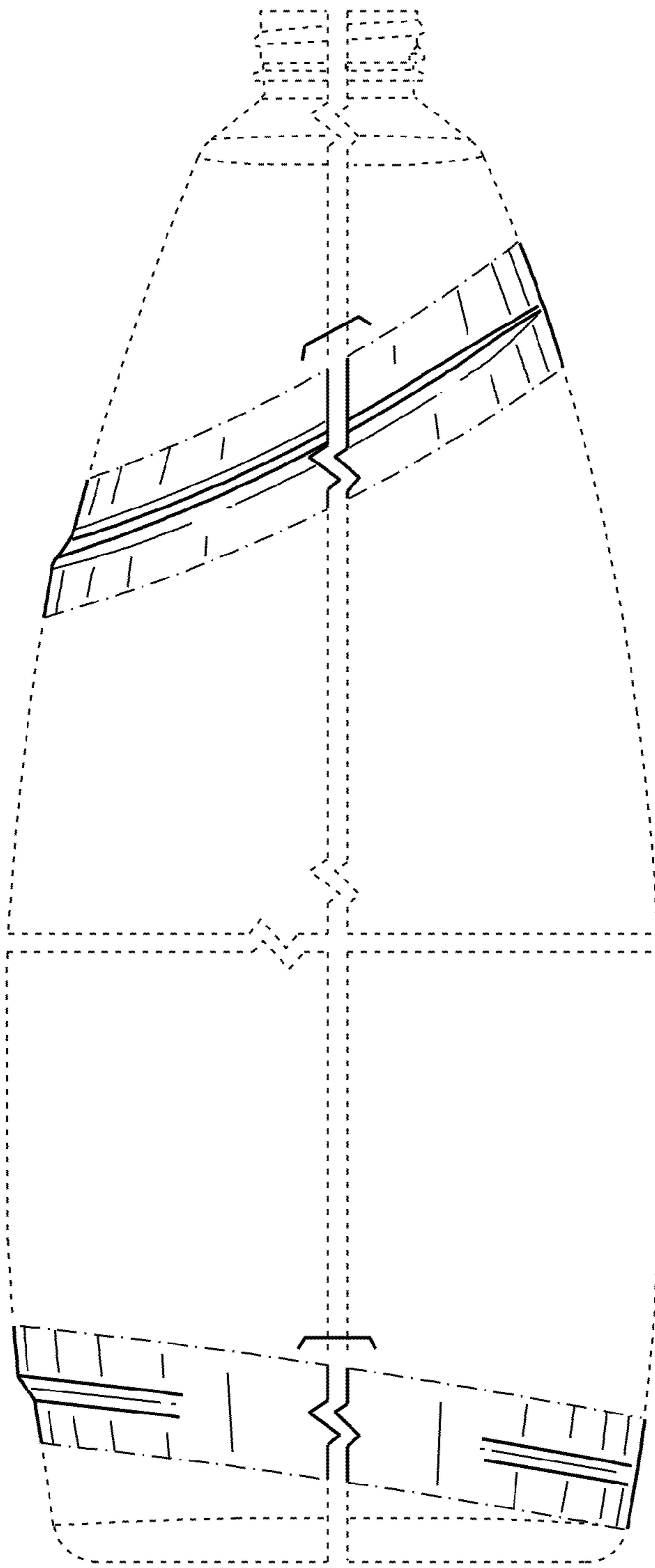


FIG. 2

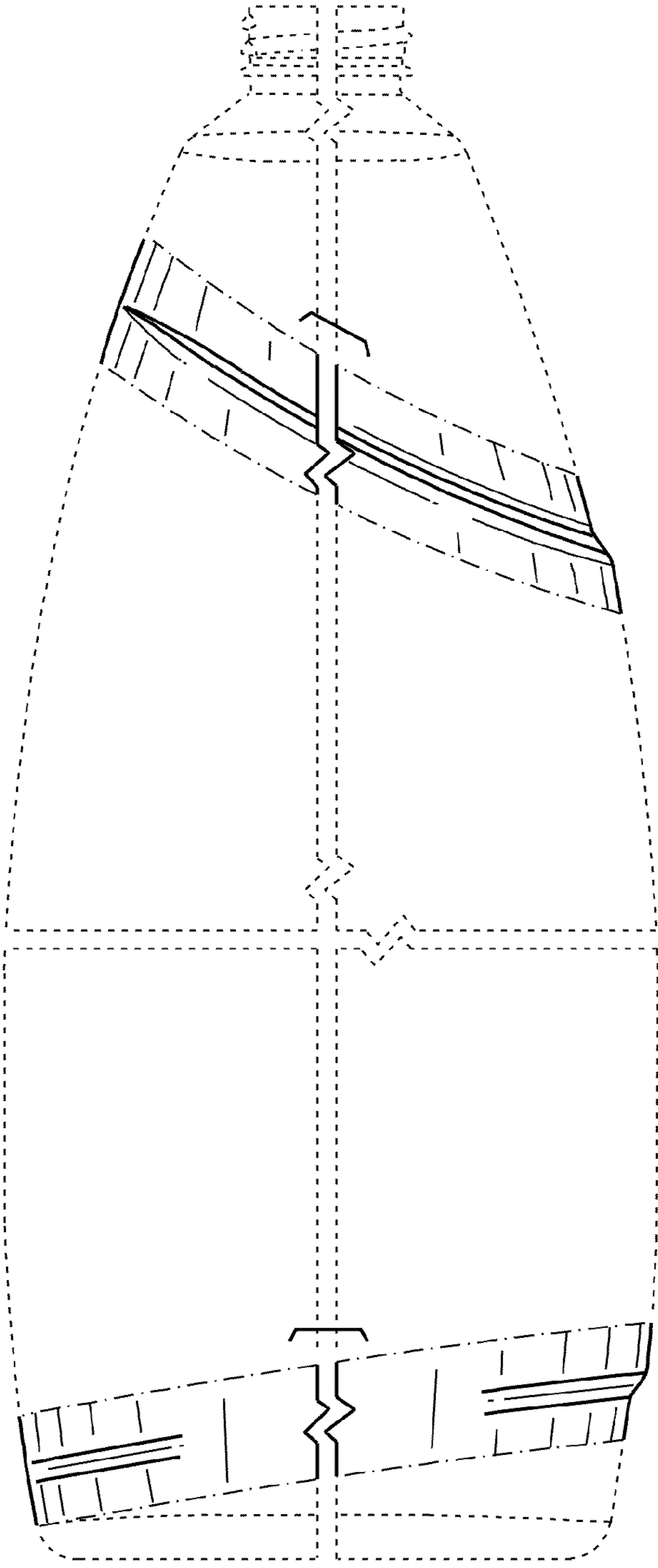


FIG. 3

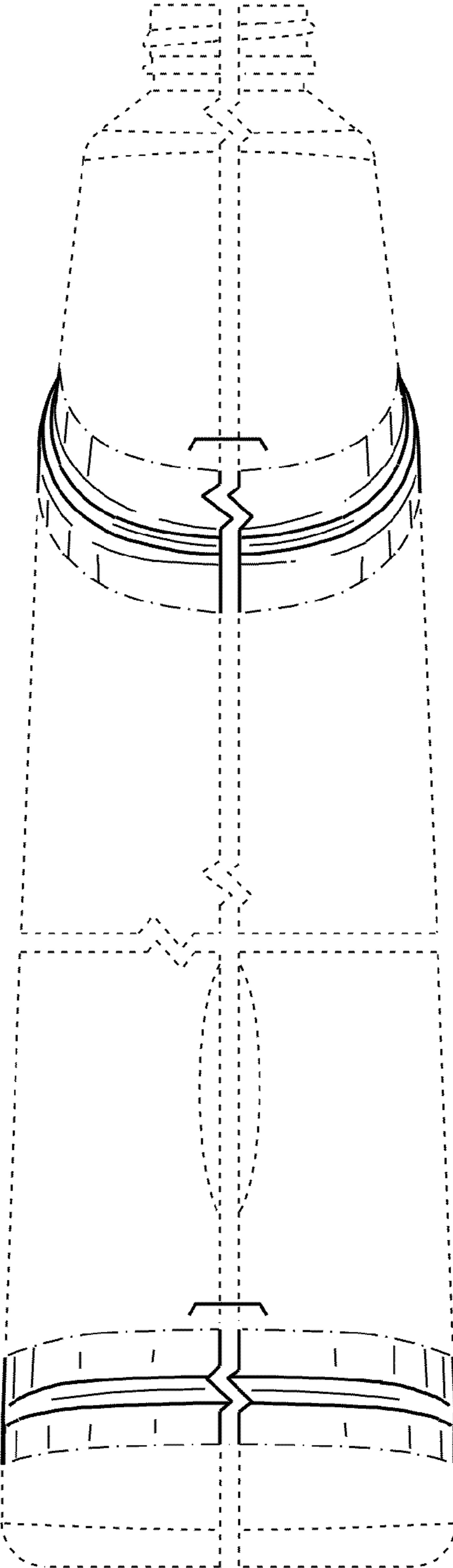


FIG. 4

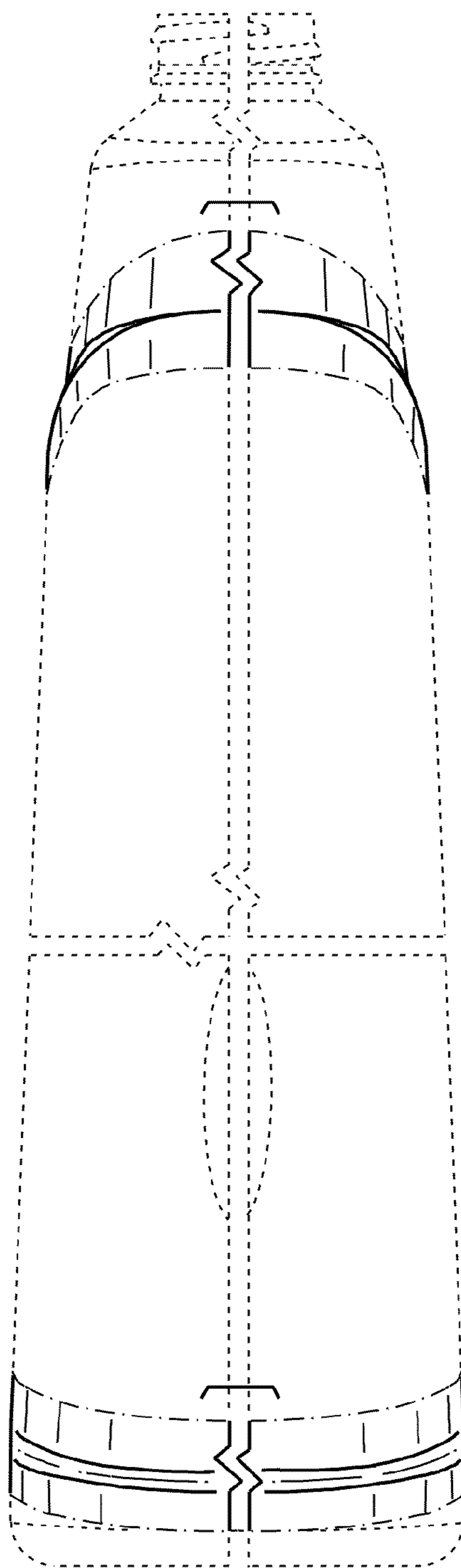


FIG. 5

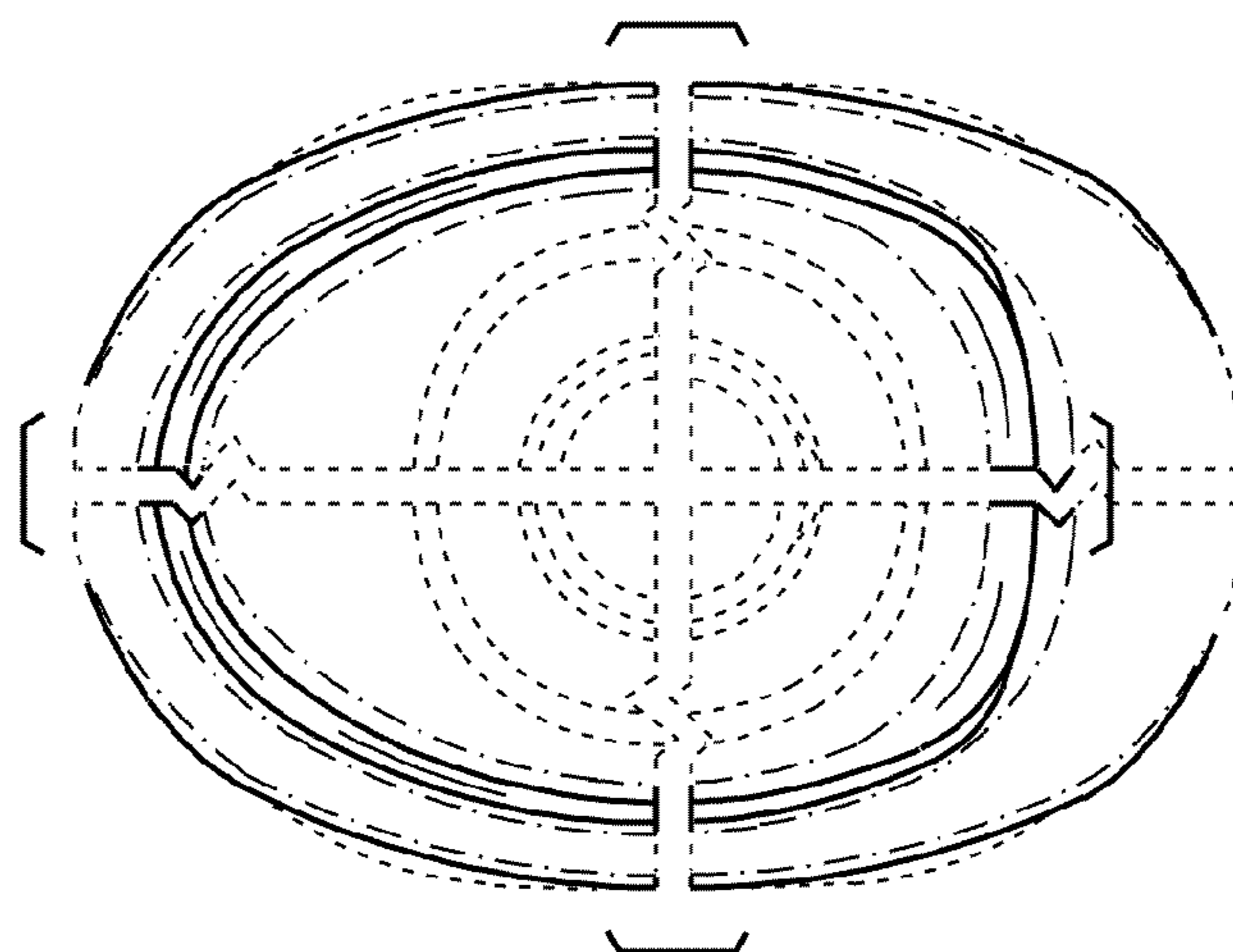


FIG. 6

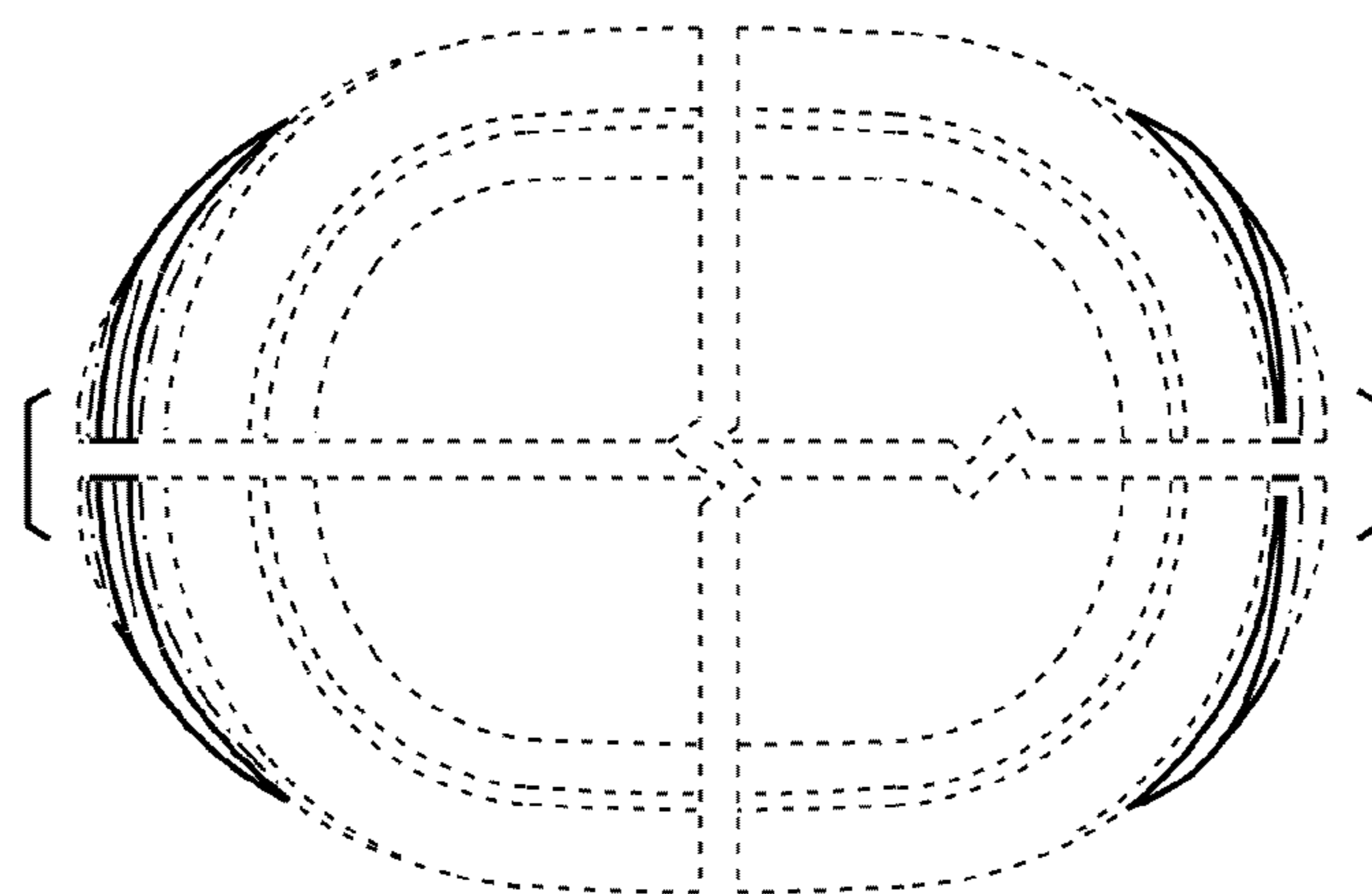


FIG. 7