



US00D741176S

(12) **United States Design Patent**
Bell et al.

(10) **Patent No.:** **US D741,176 S**
(45) **Date of Patent:** **** *Oct. 20, 2015**

(54) **COMBINED LID AND STRAP ASSEMBLY FOR A WATER BOTTLE**

(71) Applicant: **Brita LP**, Oakland, CA (US)

(72) Inventors: **Russell E. Bell**, Pleasanton, CA (US);
Brett Z. Green, Pleasanton, CA (US);
Allison J. Fretwell, San Francisco, CA (US);
Daniel C. Nunez, Newark, CA (US)

(73) Assignee: **Brita LP**, Oakland

(*) Notice: This patent is subject to a terminal disclaimer.

(**) Term: **14 Years**

(21) Appl. No.: **29/455,625**

(22) Filed: **May 22, 2013**

(51) **LOC (10) Cl.** **09-06**

(52) **U.S. Cl.**
USPC **D9/446**

(58) **Field of Classification Search**
USPC D9/417, 434, 435, 439, 440, 443, 446,
D9/447, 449, 453, 503; D7/392.1, 396.2;
215/235, 236, 306; 220/254.5, 259.2,
220/375, 715, 837; 222/484, 556
CPC B65D 55/16
See application file for complete search history.

(56) **References Cited**

U.S. PATENT DOCUMENTS

1,633,420	A	6/1927	Schlayer	
D185,179	S *	5/1959	Tupper	D9/436
D272,139	S	1/1984	Boughton	
5,044,512	A *	9/1991	Giancaspro et al.	220/709
5,111,838	A *	5/1992	Langston	137/223
D342,449	S	12/1993	Mattheis	
D358,964	S	6/1995	Foster et al.	
5,573,152	A	11/1996	Arnold	
D391,448	S	3/1998	Petrucci et al.	

D406,238	S *	3/1999	Voller	D9/446
6,196,254	B1 *	3/2001	Shaw	137/231
D449,092	S *	10/2001	Brog et al.	D23/209
D480,305	S	10/2003	Nusbaum et al.	
6,814,639	B1 *	11/2004	Peterson	441/41
D503,309	S	3/2005	Yu	
D510,270	S	10/2005	Khalifa	
D512,874	S	12/2005	Choo et al.	
D517,864	S	3/2006	Yu	
D528,910	S	9/2006	Kingsley	
D529,338	S	10/2006	Choo et al.	
D530,200	S	10/2006	Kingsley	
D565,353	S	4/2008	Roth et al.	
D601,311	S	9/2009	DeSeguirant, Jr.	
D605,942	S	12/2009	Miksovsky	
D614,440	S	4/2010	Carlson et al.	
D626,409	S	11/2010	Hooley	
D654,793	S	2/2012	Rosbach	
D657,194	S	4/2012	Bell et al.	
8,245,870	B2	8/2012	McKinney et al.	
D679,589	S *	4/2013	Hauth	D9/446
8,584,695	B2 *	11/2013	Lau	137/232
2006/0096987	A1 *	5/2006	Wry	220/375

* cited by examiner

Primary Examiner — Robert M Spear

(74) *Attorney, Agent, or Firm* — Stacy Combs

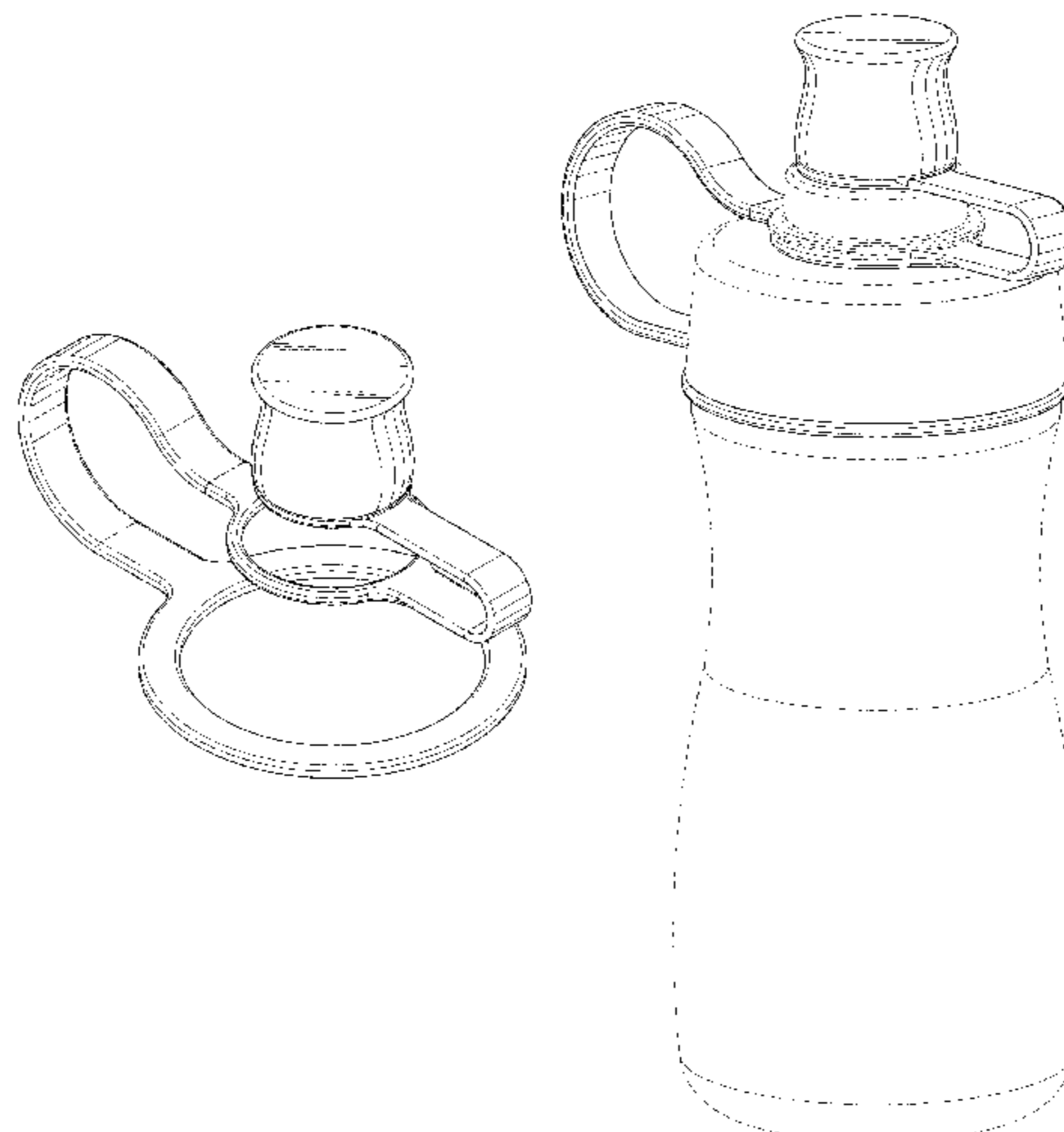
(57) **CLAIM**

The ornamental design for a combined lid and strap assembly for a water bottle, as shown and described.

DESCRIPTION

FIG. 1 is a front perspective view of the present invention; FIG. 2 is a front view thereof; FIG. 3 is a back view thereof; FIG. 4 is a left side view thereof, the right side being a mirror image thereof; FIG. 5 is a bottom view thereof; FIG. 6 is a top side view thereof; and, FIG. 7 is a front perspective view. The broken lines in the drawings depict unclaimed environmental subject matter and form no part of the claim.

1 Claim, 4 Drawing Sheets



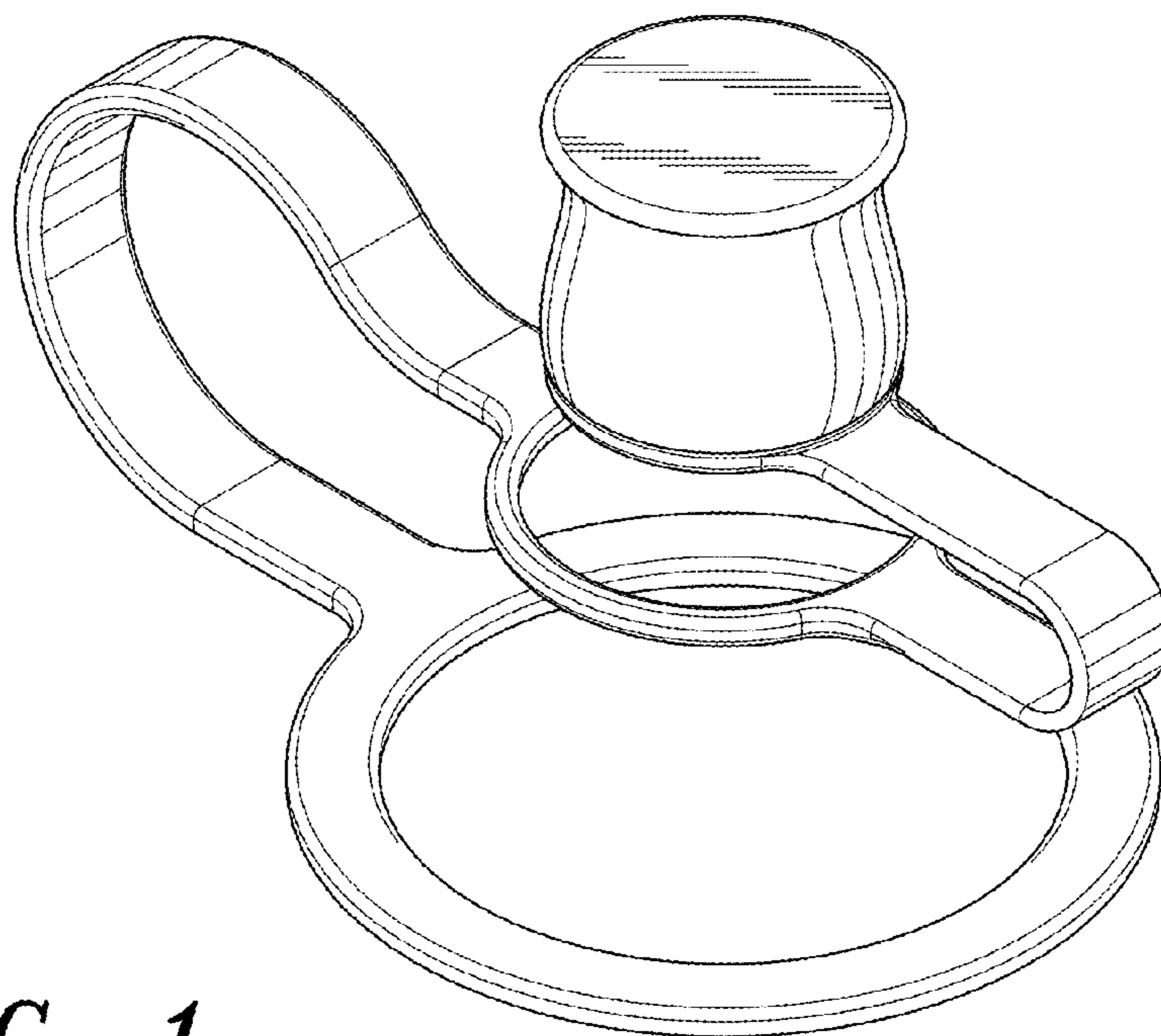


FIG. 1

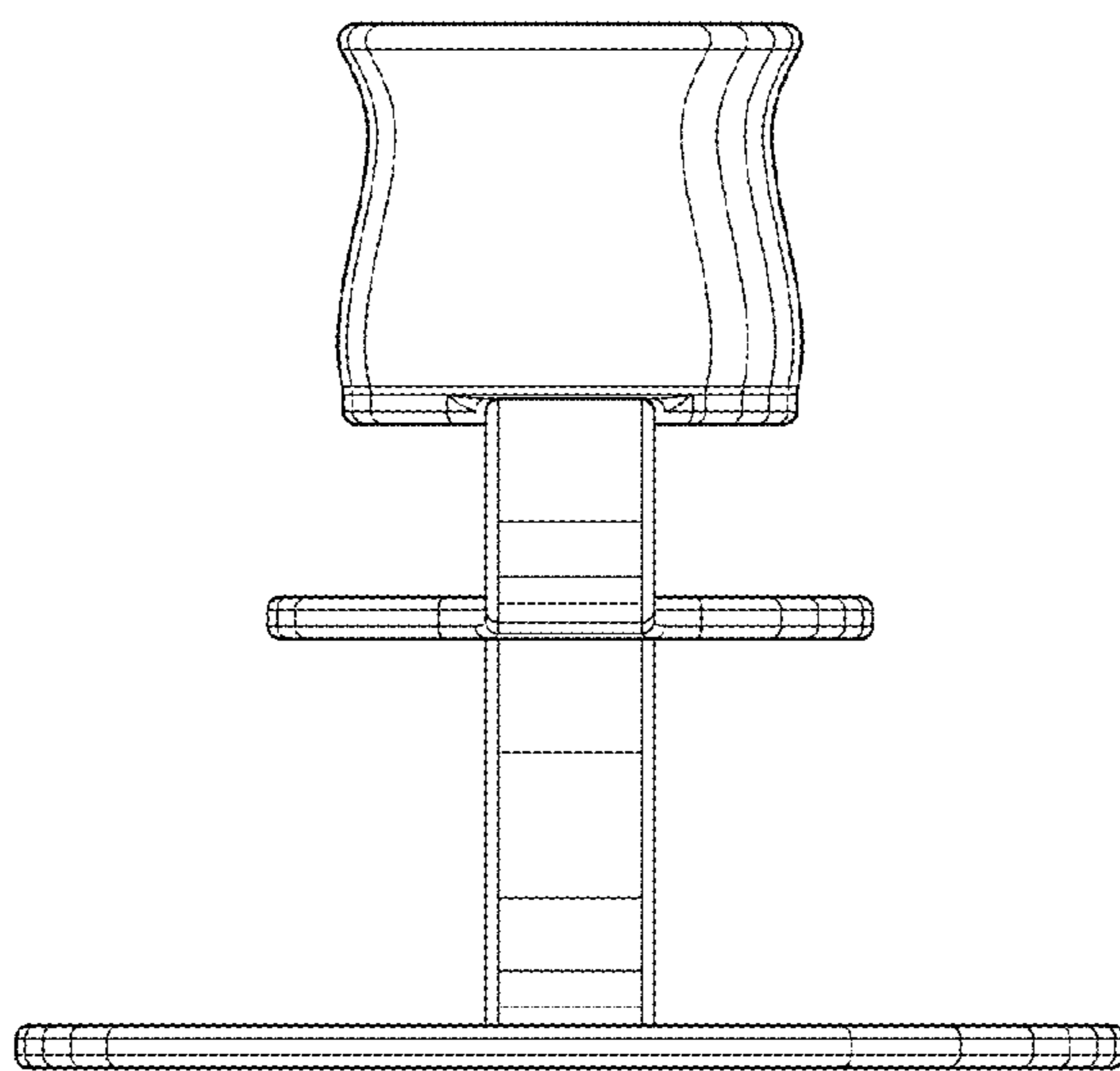


FIG. 2

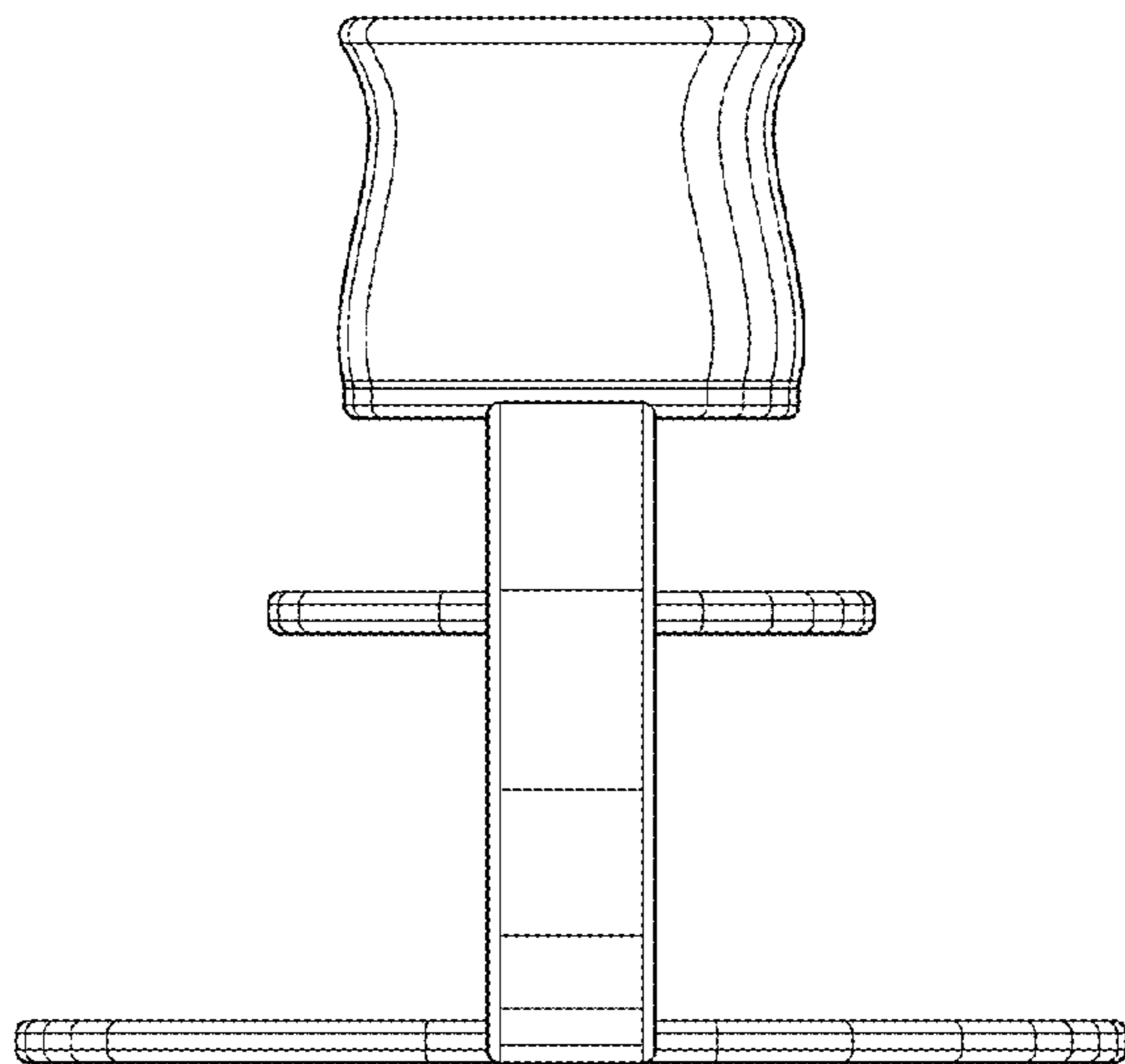


FIG. 3

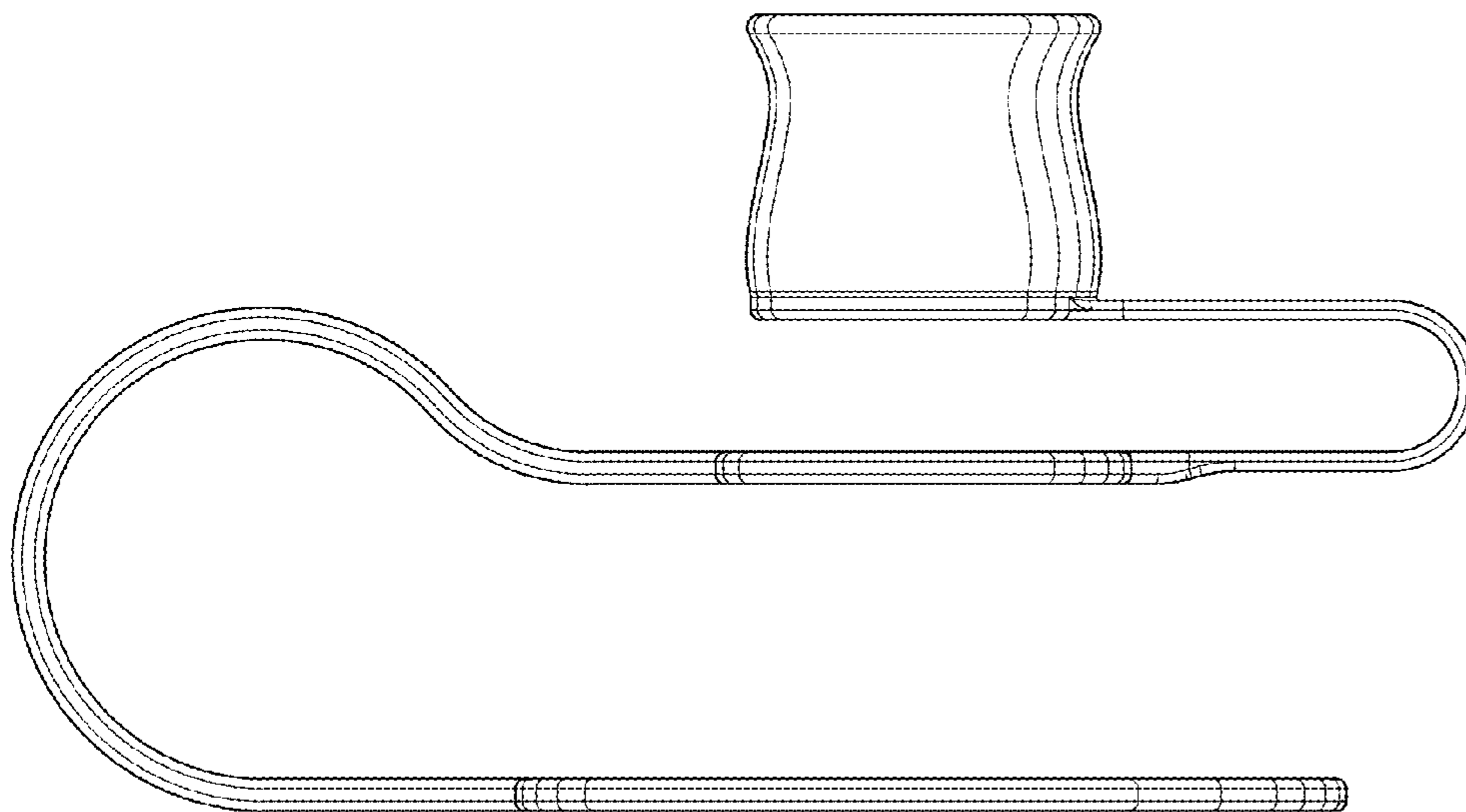


FIG. 4

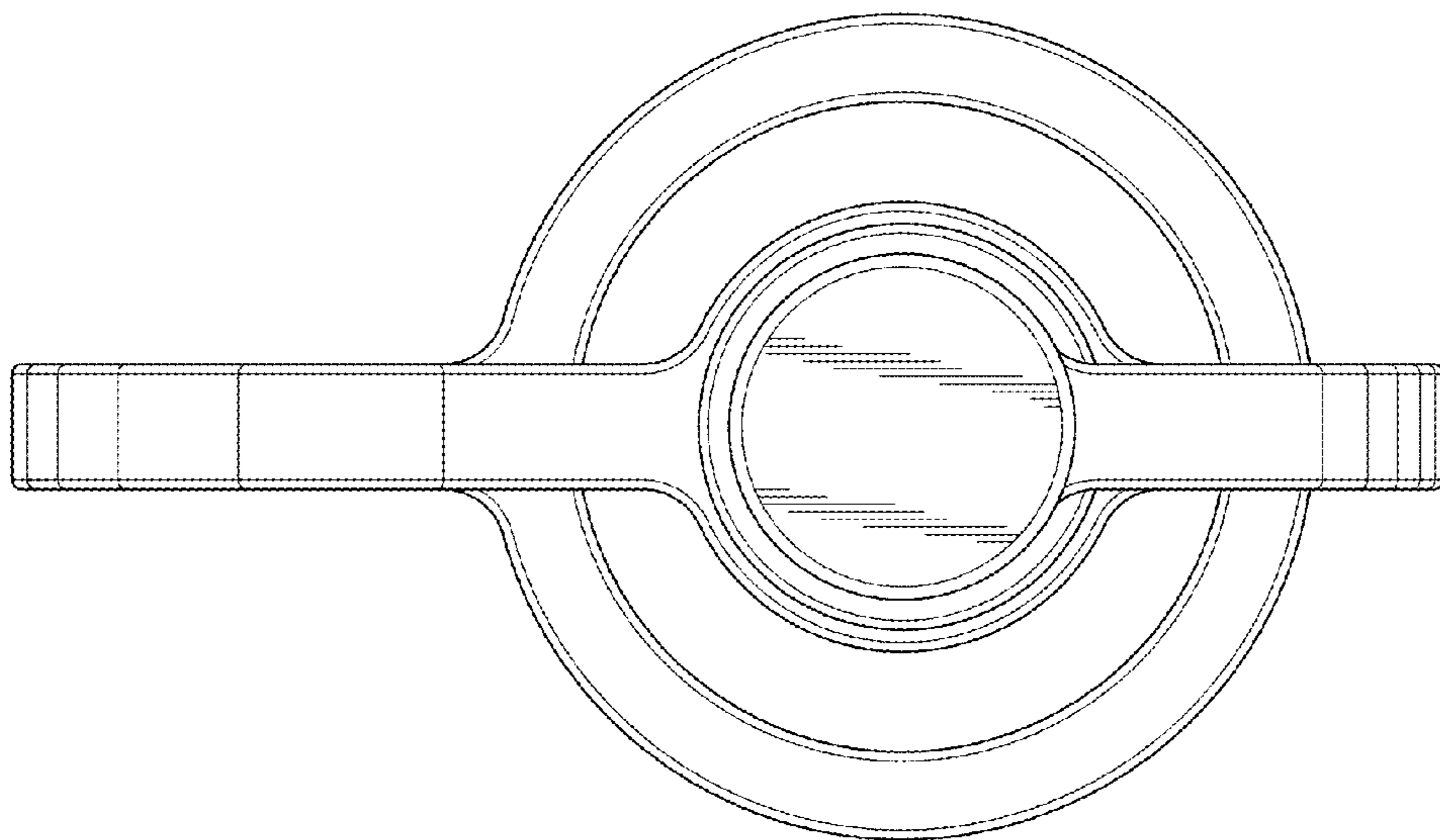


FIG. 5

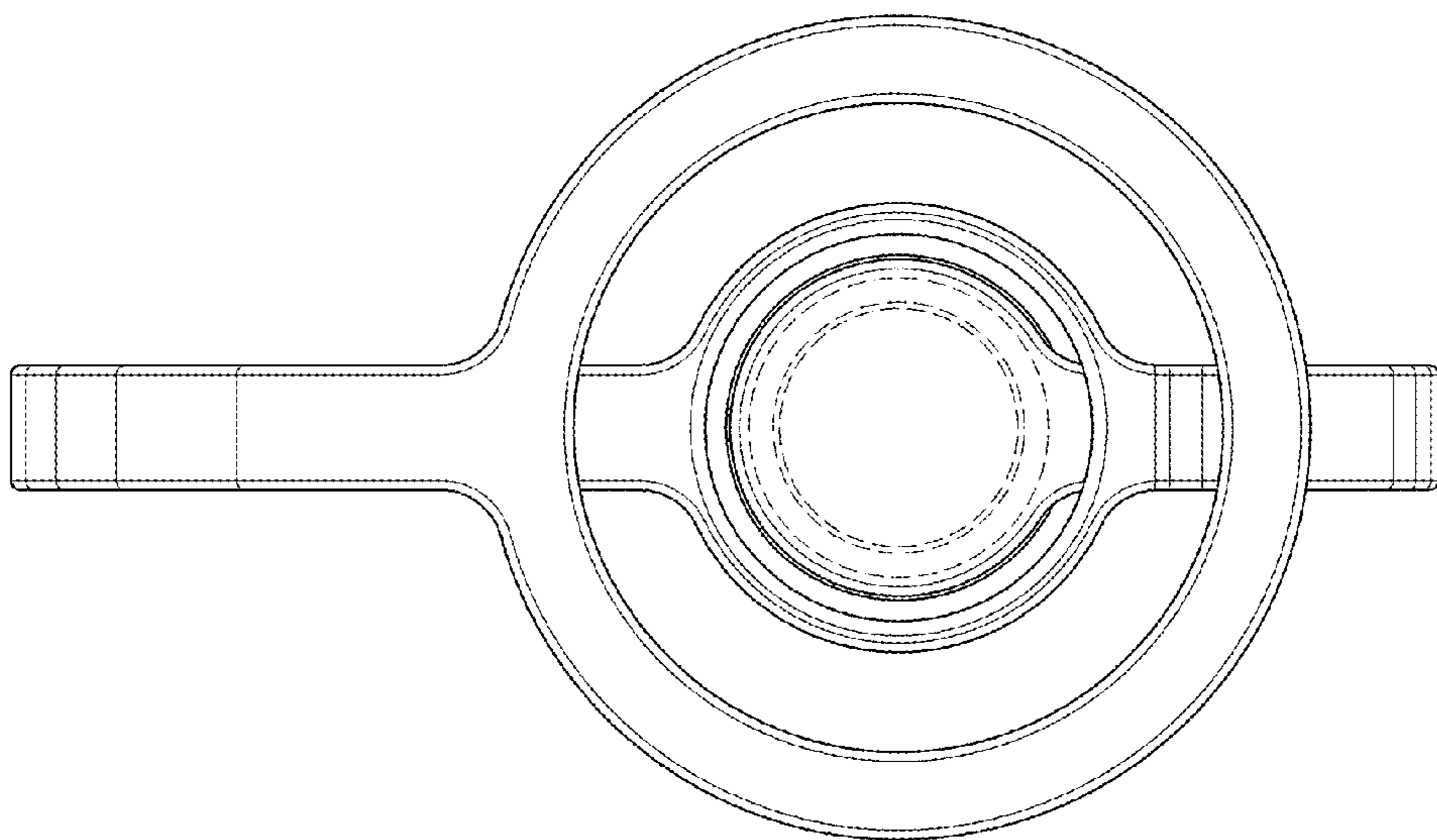


FIG. 6

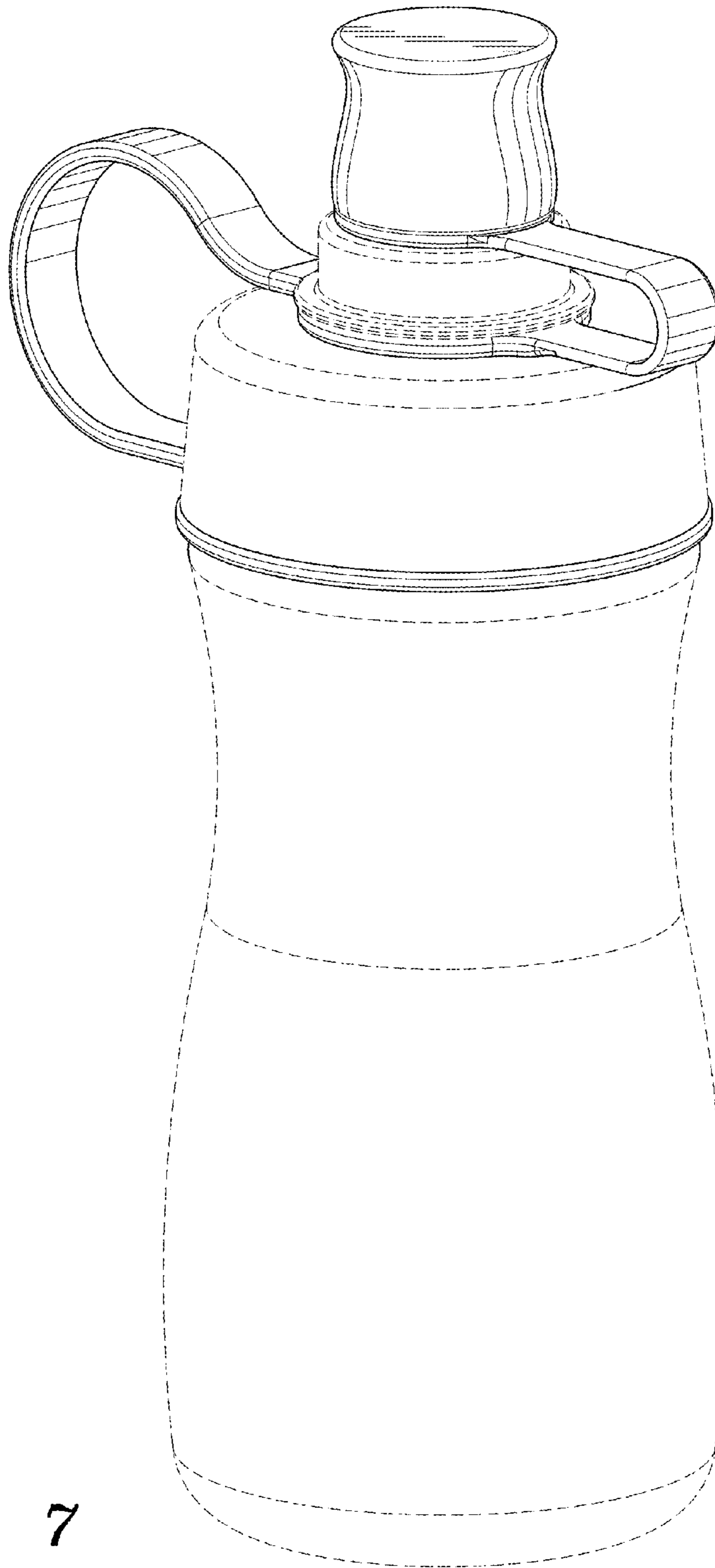


FIG. 7