



US00D741175S

(12) **United States Design Patent**  
**Amindjanov**

(10) **Patent No.:** **US D741,175 S**  
(45) **Date of Patent:** **\*\* Oct. 20, 2015**

(54) **CONTAINER**

(71) Applicant: **OOO "NPO STARLINE"**, St. Petersburg (RU)

(72) Inventor: **Temur A. Amindjanov**, St. Petersburg (RU)

(73) Assignee: **OOO NPO STARLINE**, St. Petersburg (RU)

(\*\*) Term: **14 Years**

(21) Appl. No.: **29/501,620**

(22) Filed: **Sep. 5, 2014**

(51) **LOC (10) Cl.** ..... **09-01**

(52) **U.S. Cl.**  
USPC ..... **D9/444**

(58) **Field of Classification Search**  
USPC ..... D7/396.4, 602, 605, 703; D9/414-418, D9/423, 425, 430-434, 437, 444, 499, 667, D9/737, 739; 220/834; 229/123.1, 123.3, 229/221, 225, 248  
CPC ..... B65D 5/705; B65D 5/708; B65D 77/204  
See application file for complete search history.

(56) **References Cited**

**U.S. PATENT DOCUMENTS**

1,636,390 A \* 7/1927 Soles ..... 229/123.3  
1,956,238 A \* 4/1934 Jackson ..... 229/221

D259,760 S \* 7/1981 Lucas et al. .... D7/605  
5,388,757 A \* 2/1995 Lorenzen ..... 229/123.3  
5,556,026 A \* 9/1996 Blankitny ..... 229/123.1  
D412,114 S \* 7/1999 Hansen ..... D9/416  
D662,812 S \* 7/2012 Kurita et al. .... D9/415  
D670,161 S \* 11/2012 Birgers et al. .... D9/415  
D682,672 S \* 5/2013 Birgers et al. .... D9/415  
D720,525 S \* 1/2015 Magno ..... D3/203.2

\* cited by examiner

*Primary Examiner* — Robert M Spear

*Assistant Examiner* — Darcey E Heflin

(74) *Attorney, Agent, or Firm* — Inventa Capital PLC

(57) **CLAIM**

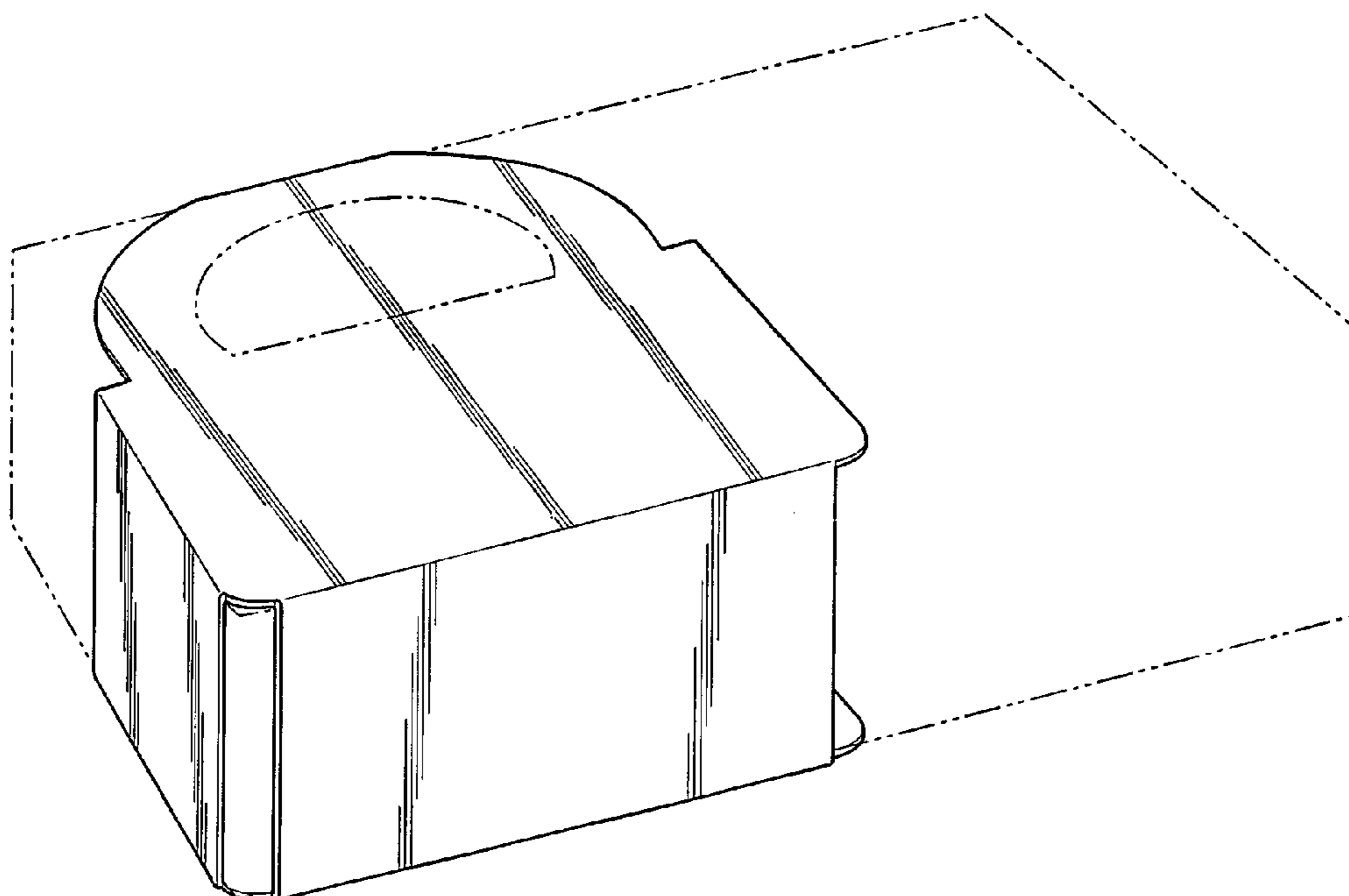
I claim the ornamental design for a container, as shown and described.

**DESCRIPTION**

FIG. 1 is a perspective view of a container of the present invention;  
FIG. 2 is a top view of the container;  
FIG. 3 is a left side view of the container;  
FIG. 4 is a right side view of the container;  
FIG. 5 is a bottom view of the container;  
FIG. 6 is a front view of the container; and,  
FIG. 7 is a rear view of the container.

In the drawings, the broken lines depict environmental subject matter only that forms no part of the claim.

**1 Claim, 3 Drawing Sheets**



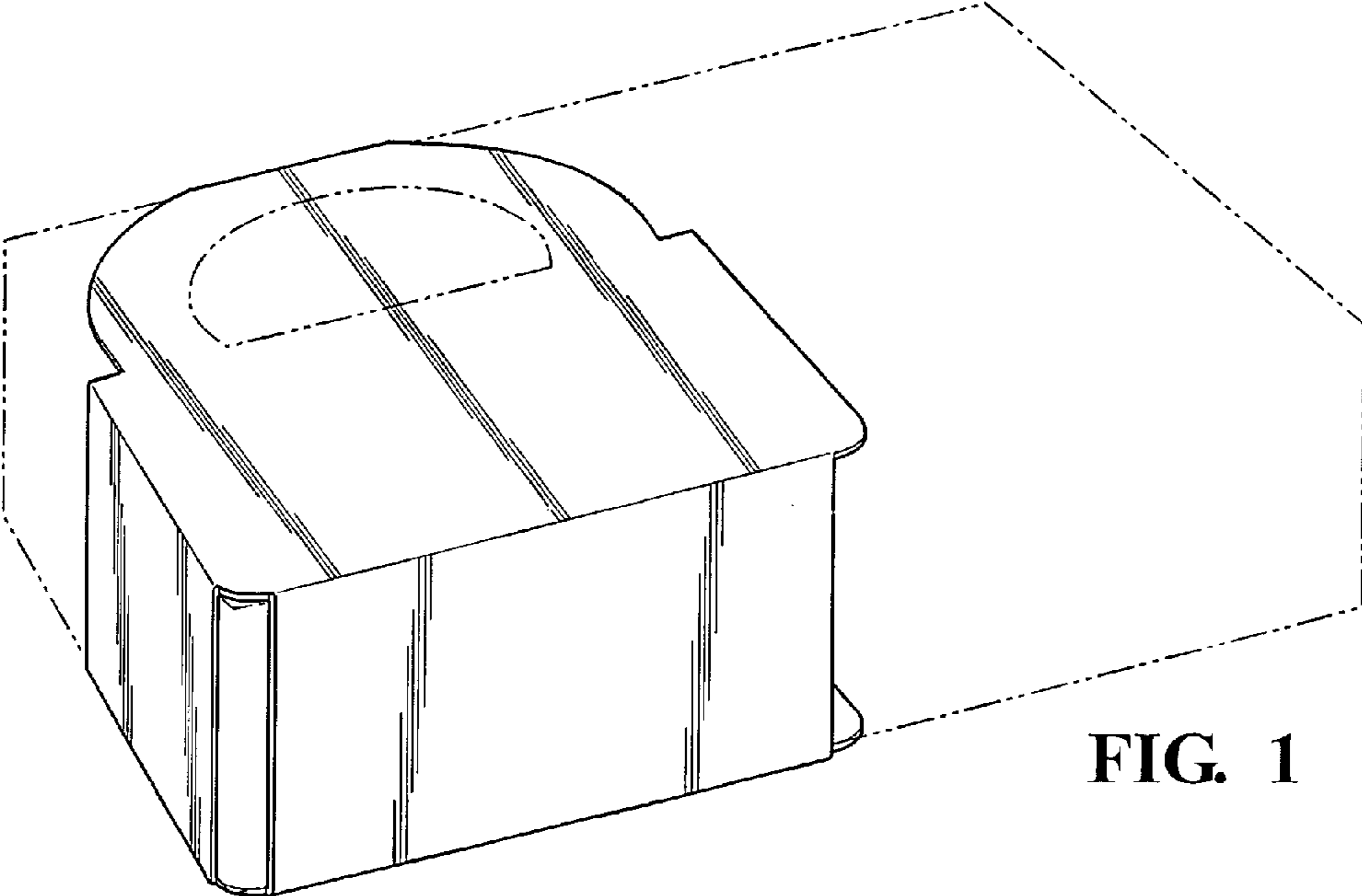


FIG. 1

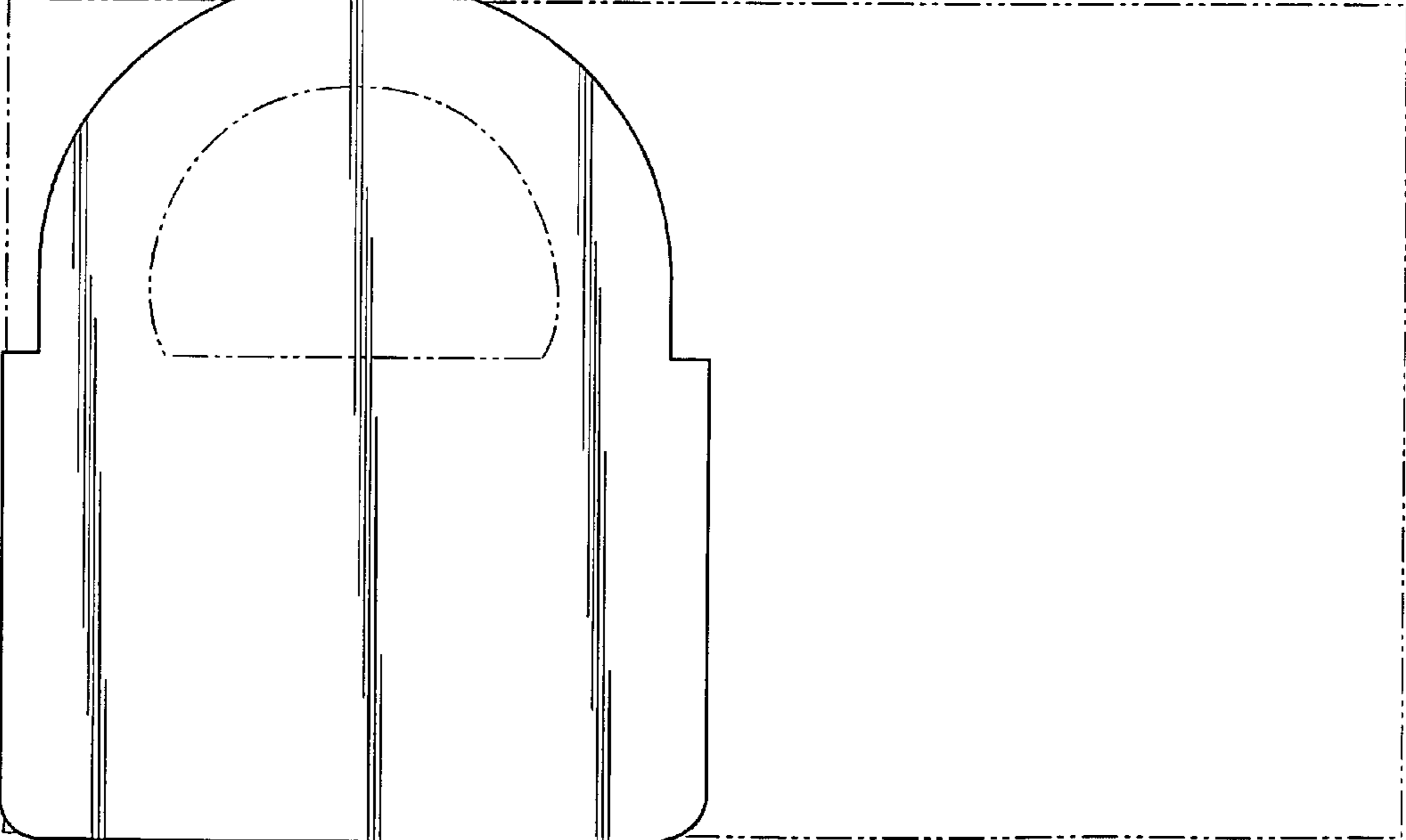
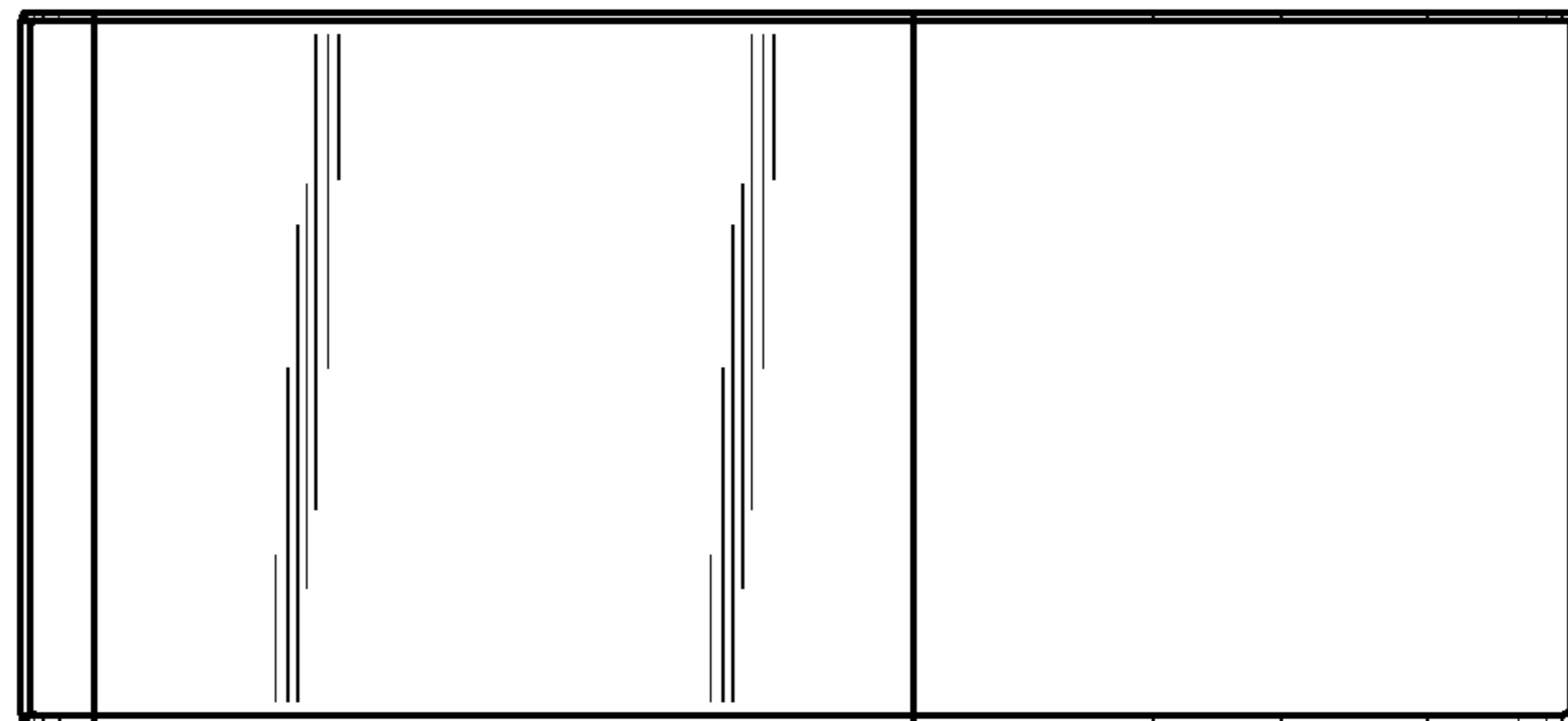


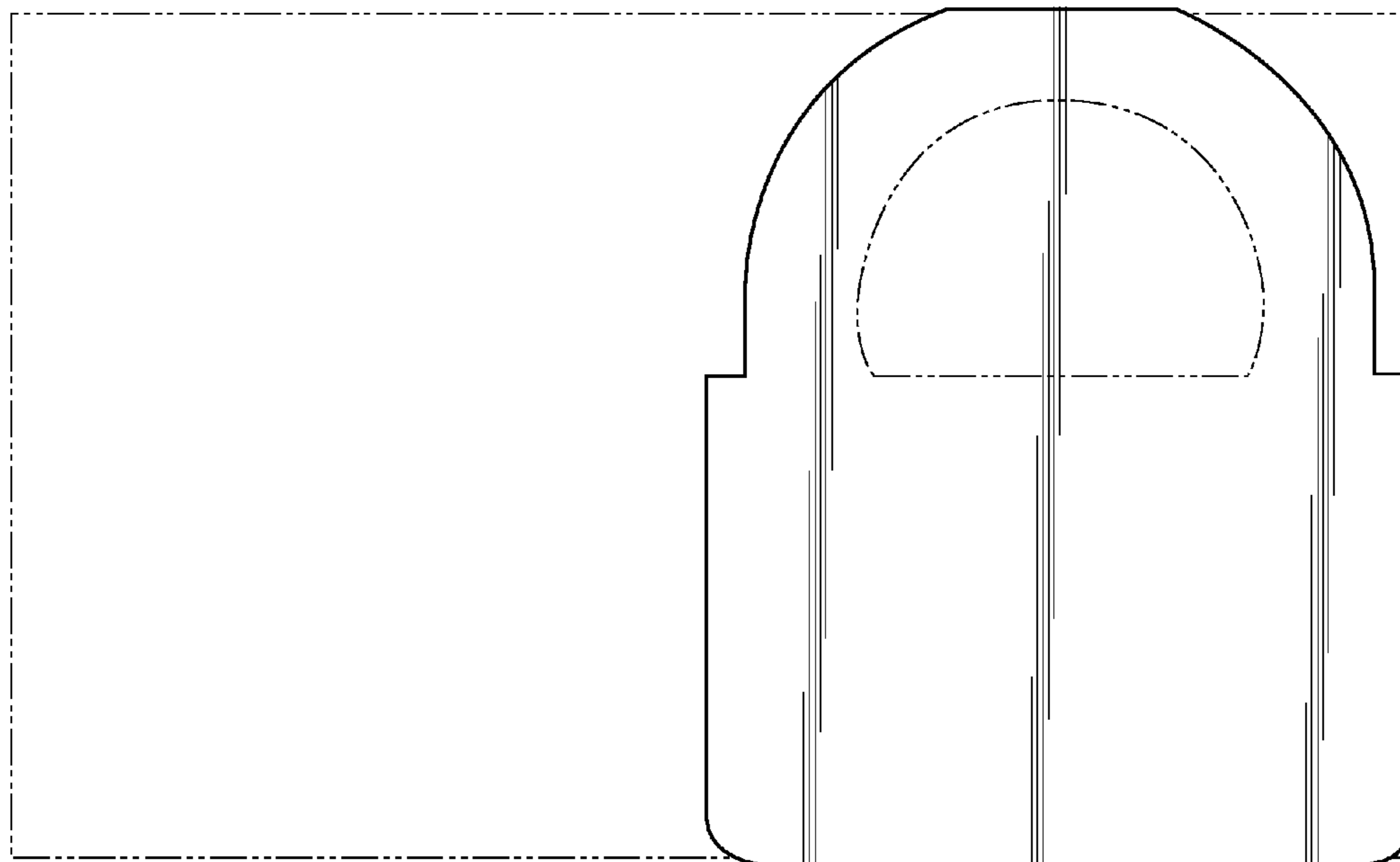
FIG. 2



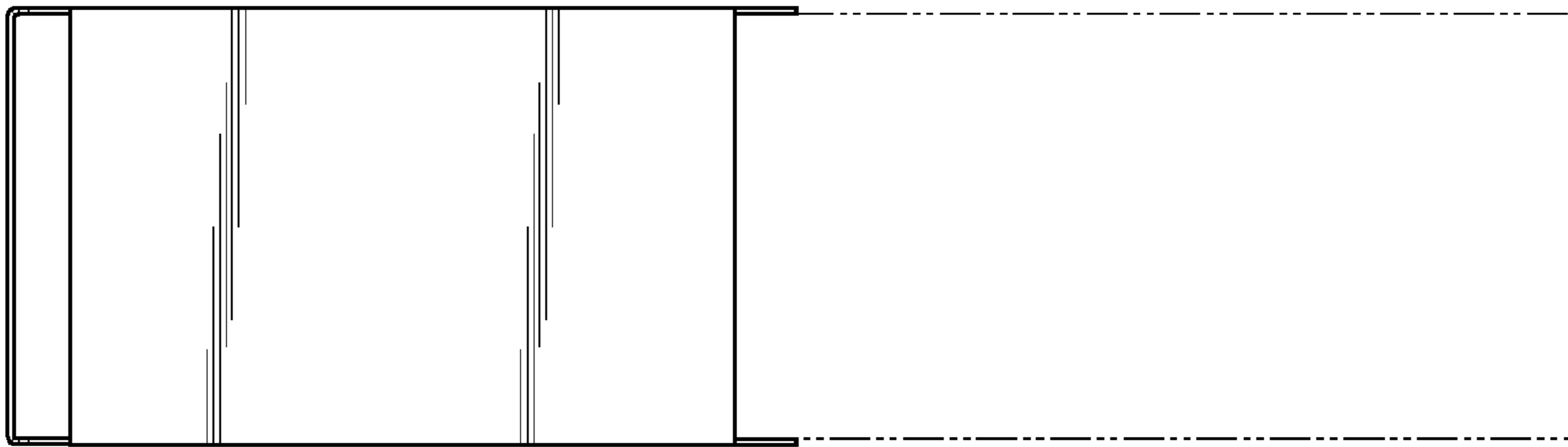
**FIG. 3**



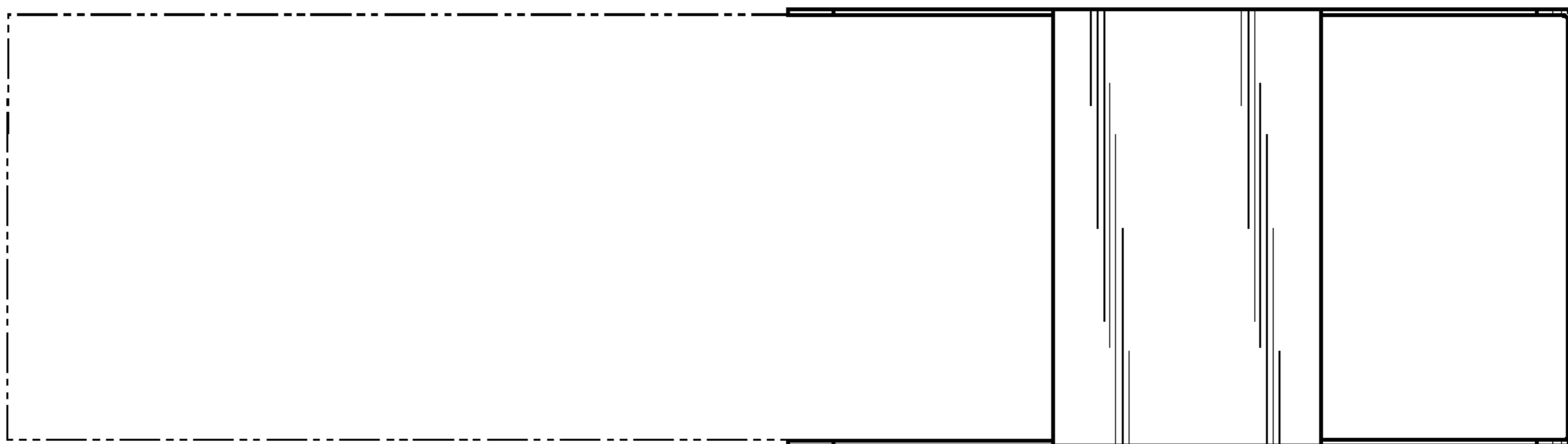
**FIG. 4**



**FIG. 5**



**FIG. 6**



**FIG. 7**