



US00D741173S

(12) **United States Design Patent**  
**Toh et al.**

(10) **Patent No.:** **US D741,173 S**  
(45) **Date of Patent:** **\*\* Oct. 20, 2015**

(54) **CAP FOR A CONTAINER**  
(71) Applicant: **Colgate-Palmolive Company**, New York, NY (US)  
(72) Inventors: **Kiat-Cheong Toh**, Forest Hills, NY (US); **Lucas Wade**, Brooklyn, NY (US)  
(73) Assignee: **COLGATE-PALMOLIVE COMPANY**, New York, NY (US)  
(\*\*) Term: **14 Years**  
(21) Appl. No.: **29/471,040**  
(22) Filed: **Oct. 28, 2013**  
(51) **LOC (10) Cl.** ..... **09-01**  
(52) **U.S. Cl.**  
USPC ..... **D9/444**  
(58) **Field of Classification Search**  
USPC ..... D9/434-439, 443-446, 449, 455-457, D9/499, 529, 530, 552, 727-729; 215/316, 215/384; 220/294, 780, 799; 401/75, 172  
CPC ..... A45D 40/00; A45D 40/02  
See application file for complete search history.

D477,221 S 7/2003 Poisson et al.  
D478,004 S 8/2003 Cummings  
D478,507 S 8/2003 Poisson et al.  
D489,258 S 5/2004 Hollmann et al.  
D490,314 S 5/2004 Wadsworth et al.  
D493,369 S \* 7/2004 Murphy ..... D9/529  
D496,966 S 10/2004 Ulrich

(Continued)

**FOREIGN PATENT DOCUMENTS**

CA D102969 5/2004  
EM 000081732-0002 9/2003  
EM 000200175-0005 7/2009

**OTHER PUBLICATIONS**

XY Approved. Speed Stick Gear Antiperspirant/Deodorant. Feb. 15, 2014 [online], [site visited Mar. 24, 2015]. Available from Internet, <URL:http://xyapproved.blogspot.com/2014/02/speed-stick-gear-antiperspirantdeodorant.html>.\*

*Primary Examiner* — Robert M Spear  
*Assistant Examiner* — Darcey E Heflin

(57) **CLAIM**  
The ornamental design for a cap for a container, as shown and described.

(56) **References Cited**

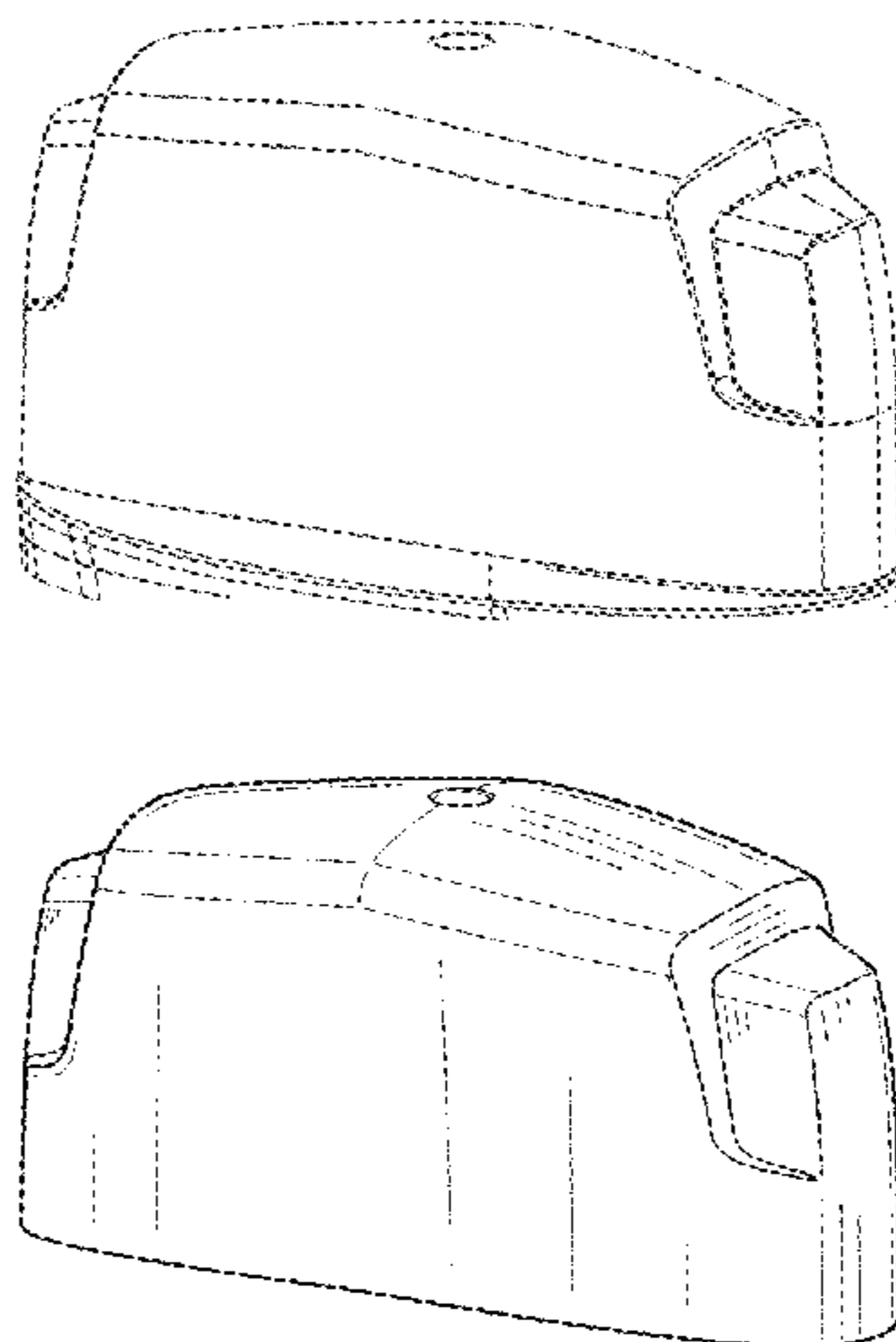
**U.S. PATENT DOCUMENTS**

1,585,407 A 5/1926 Morin  
D312,574 S 12/1990 Geiger  
D327,431 S \* 6/1992 Farricielli ..... D9/444  
D340,644 S \* 10/1993 Hirst ..... D9/729  
D362,621 S 9/1995 Blocker  
D368,225 S 3/1996 Bertolini et al.  
D374,817 S \* 10/1996 Bertolini et al. .... D9/727  
D381,899 S 8/1997 Crawford  
D400,094 S 10/1998 Poisson et al.  
5,997,201 A 12/1999 Bossert et al.  
D471,809 S 3/2003 Poisson et al.  
D476,887 S 7/2003 Poisson et al.  
D476,888 S 7/2003 Poisson et al.  
D477,220 S 7/2003 Poisson et al.

**DESCRIPTION**

FIG. 1 is a front perspective view of a cap for a container according to the new design;  
FIG. 2 is a rear perspective view thereof;  
FIG. 3 is a front elevational view thereof;  
FIG. 4 is a rear elevational view thereof;  
FIG. 5 is a left side elevational view thereof;  
FIG. 6 is a right side elevational view thereof;  
FIG. 7 is a top plan view thereof; and,  
FIG. 8 is a bottom plan view thereof.  
In the drawings, the broken lines depict environmental subject matter only that forms no part of the claim.

**1 Claim, 5 Drawing Sheets**



(56)

References Cited

U.S. PATENT DOCUMENTS

D498,670 S	11/2004	Cummings et al.	D612,727 S	3/2010	Glynn
D499,640 S	12/2004	Grant	D617,187 S	6/2010	Murray
D499,641 S	12/2004	Cummings et al.	D617,638 S	6/2010	Zaniewski et al.
D503,892 S	4/2005	Storz et al.	D623,960 S *	9/2010	Kathofer ..... D9/729
D511,094 S	11/2005	Schuller	D625,189 S	10/2010	Dias
D512,634 S	12/2005	Illenberger et al.	D629,695 S	12/2010	Zaniewski et al.
D524,188 S	7/2006	Tampi	D631,746 S	2/2011	Luburic
D528,012 S	9/2006	Snyder	D650,284 S	12/2011	Schriner et al.
D529,810 S	10/2006	Davies et al.	D654,812 S	2/2012	Wade
D538,171 S	3/2007	Cummings et al.	D656,020 S	3/2012	Lee
D538,678 S	3/2007	Cummings et al.	D656,412 S	3/2012	Carnduff et al.
D540,185 S	4/2007	Cummings et al.	D661,599 S	6/2012	Floyd et al.
D540,186 S	4/2007	Cummings	D665,261 S	8/2012	Mazurkiewicz et al.
D540,671 S *	4/2007	Born et al. .... D9/445	D671,407 S	11/2012	Fay
D542,673 S *	5/2007	Shurtleff et al. .... D9/729	D682,688 S	5/2013	Murray
D557,641 S	12/2007	Davidson	D683,280 S	5/2013	Hanson et al.
D566,546 S	4/2008	Williamson	D683,626 S	6/2013	Beck et al.
D568,743 S	5/2008	Kunesh et al.	D684,558 S	6/2013	Hansson et al.
D573,018 S	7/2008	Carnduff et al.	D686,495 S	7/2013	Murray
D576,490 S	9/2008	Mazurkiewicz et al.	D688,130 S	8/2013	Crawford et al.
D582,765 S	12/2008	Gustafson et al.	D688,558 S	8/2013	Crawford et al.
D582,766 S *	12/2008	Gatrost et al. .... D9/435	D691,043 S	10/2013	Crawford et al.
D585,289 S	1/2009	Toh	D691,044 S	10/2013	Toh et al.
D608,199 S	1/2010	Gross	D691,045 S	10/2013	Toh et al.
D612,726 S	3/2010	Glynn	D708,949 S	7/2014	Crawford et al.
			D722,500 S *	2/2015	Stolle ..... D9/449
			D723,942 S *	3/2015	Toh et al. .... D9/729

\* cited by examiner

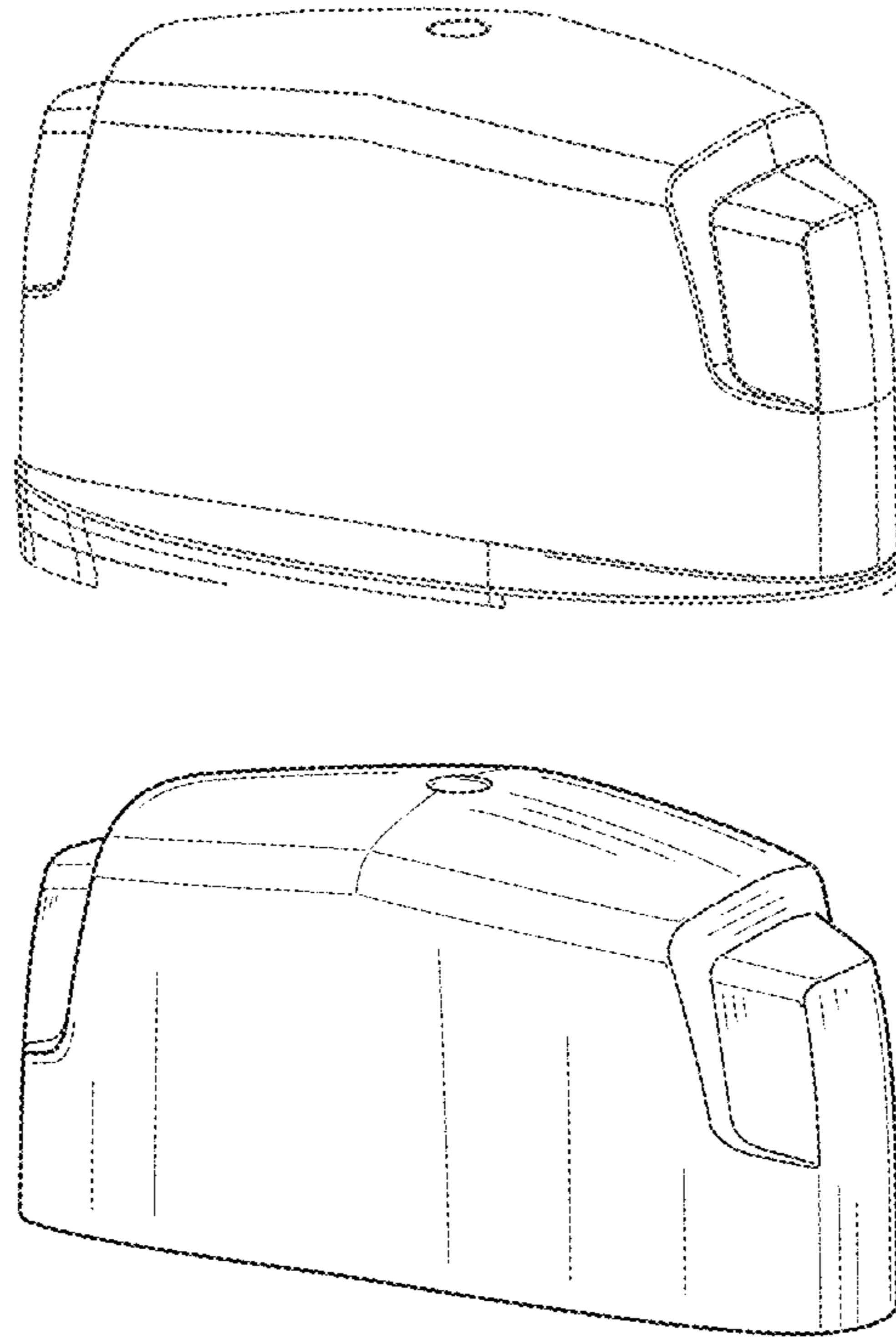


FIG. 1

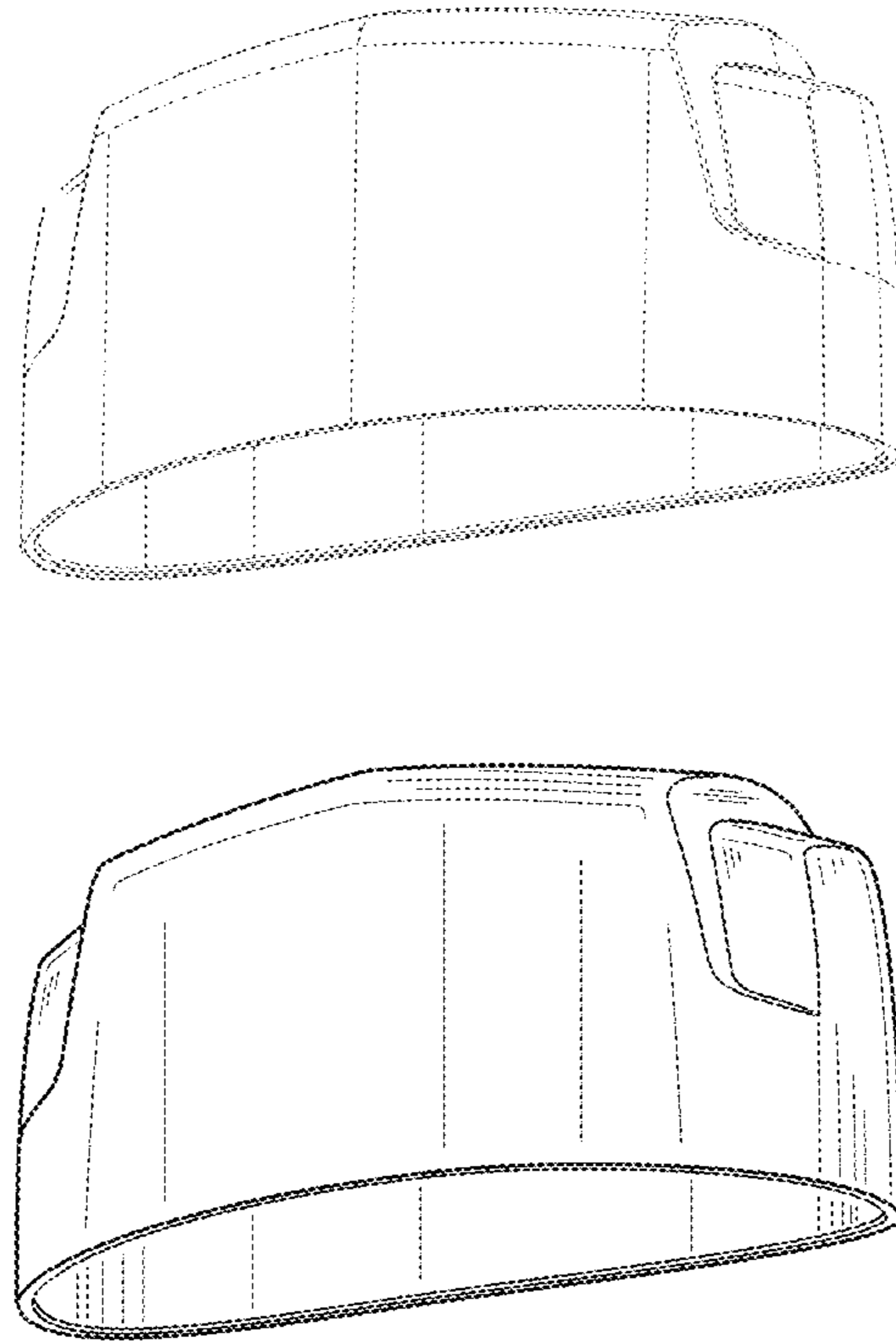


FIG. 2

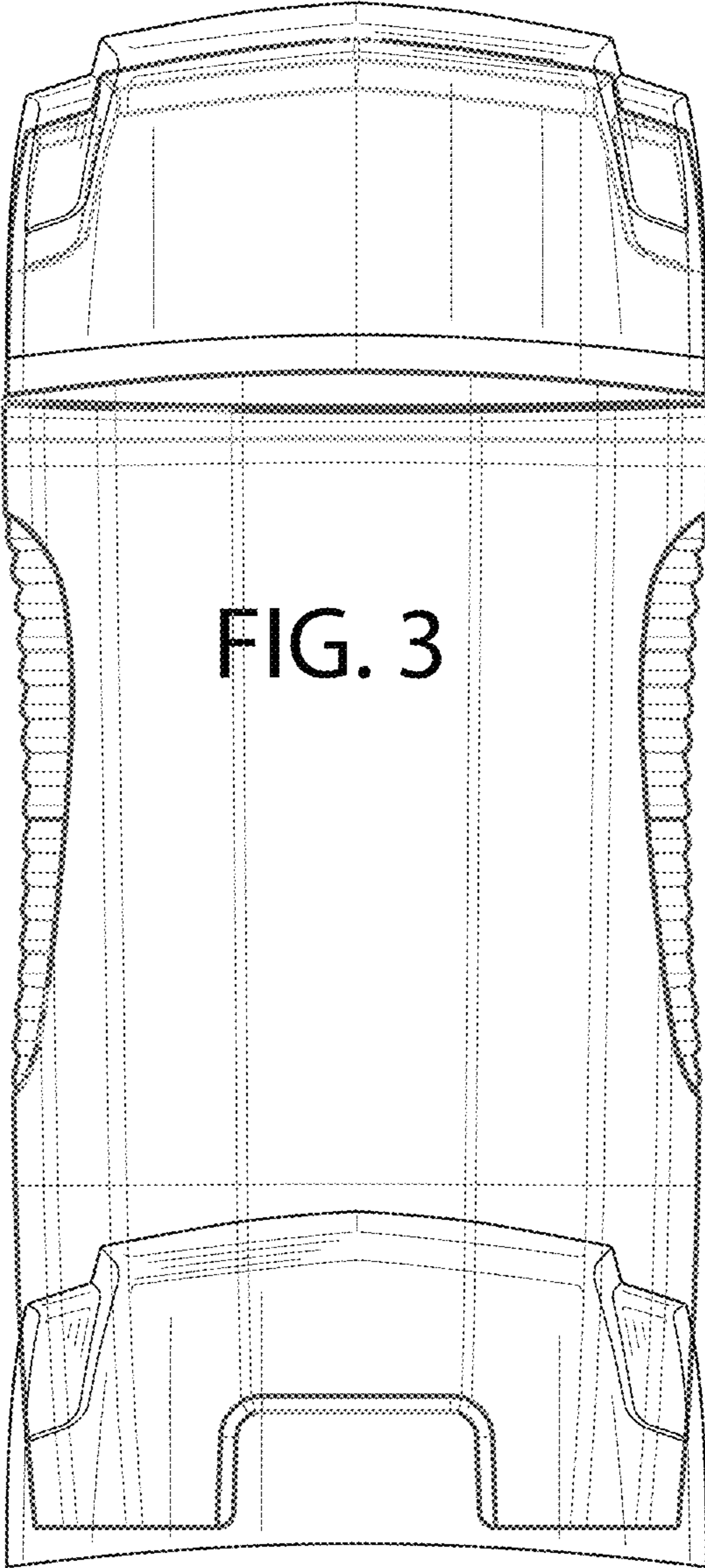


FIG. 4

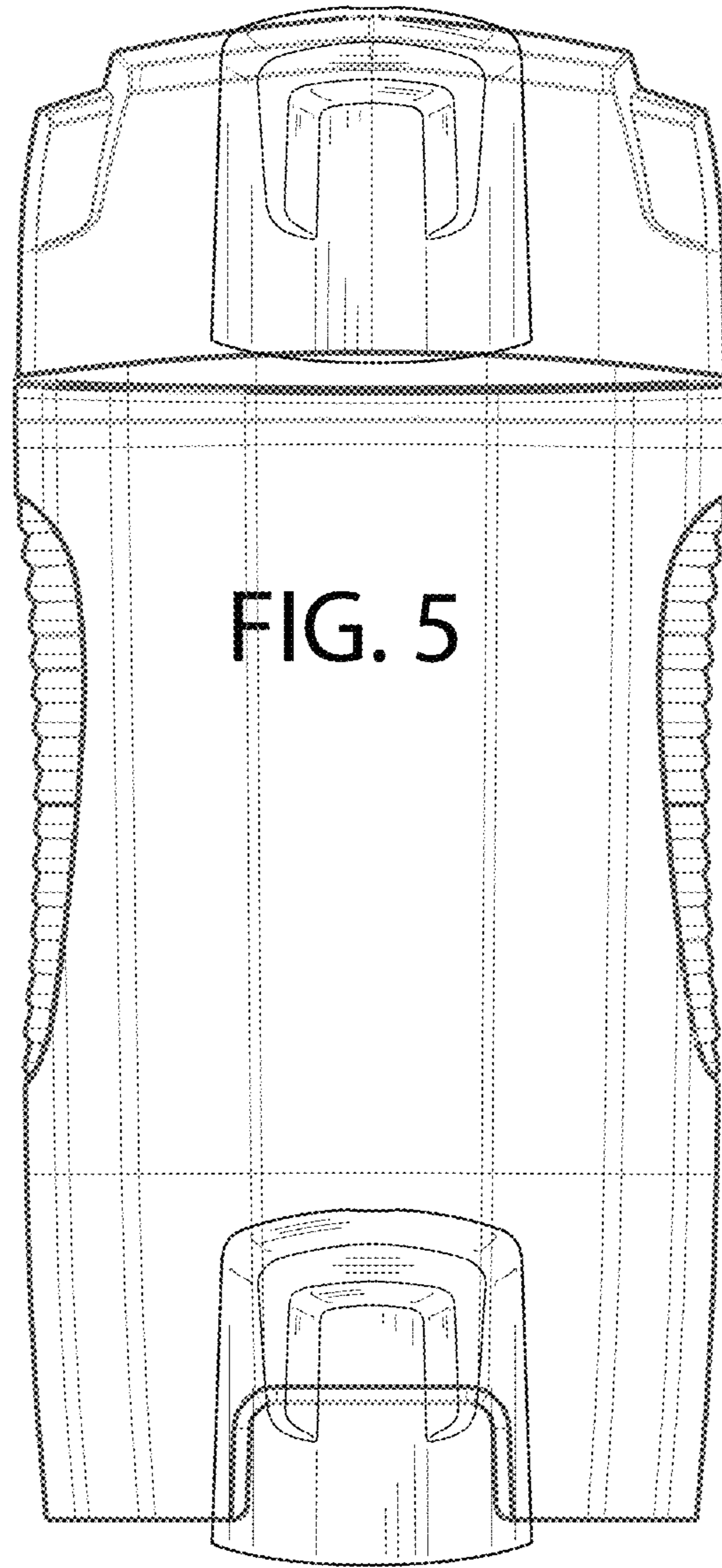


FIG. 5

FIG. 6

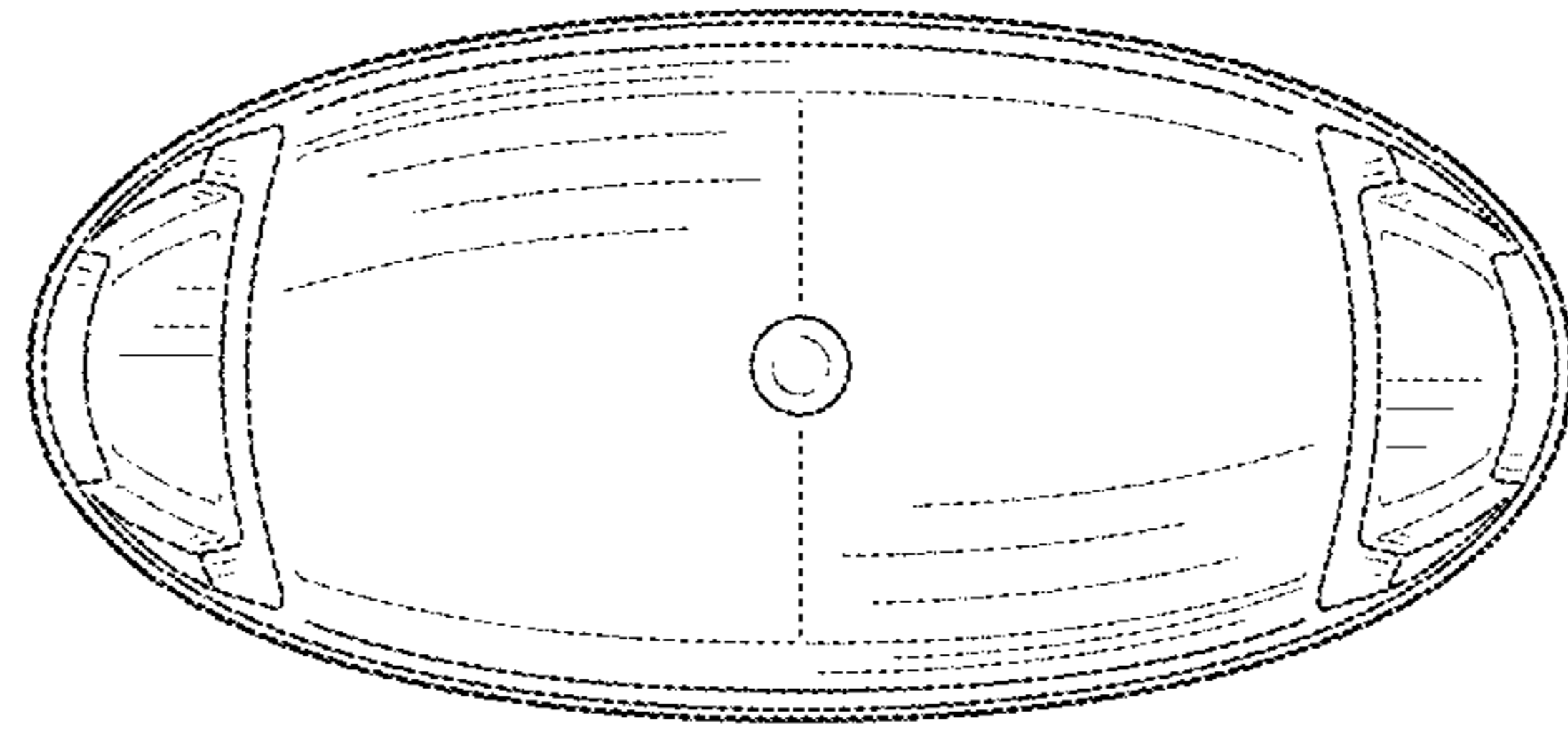


FIG. 7

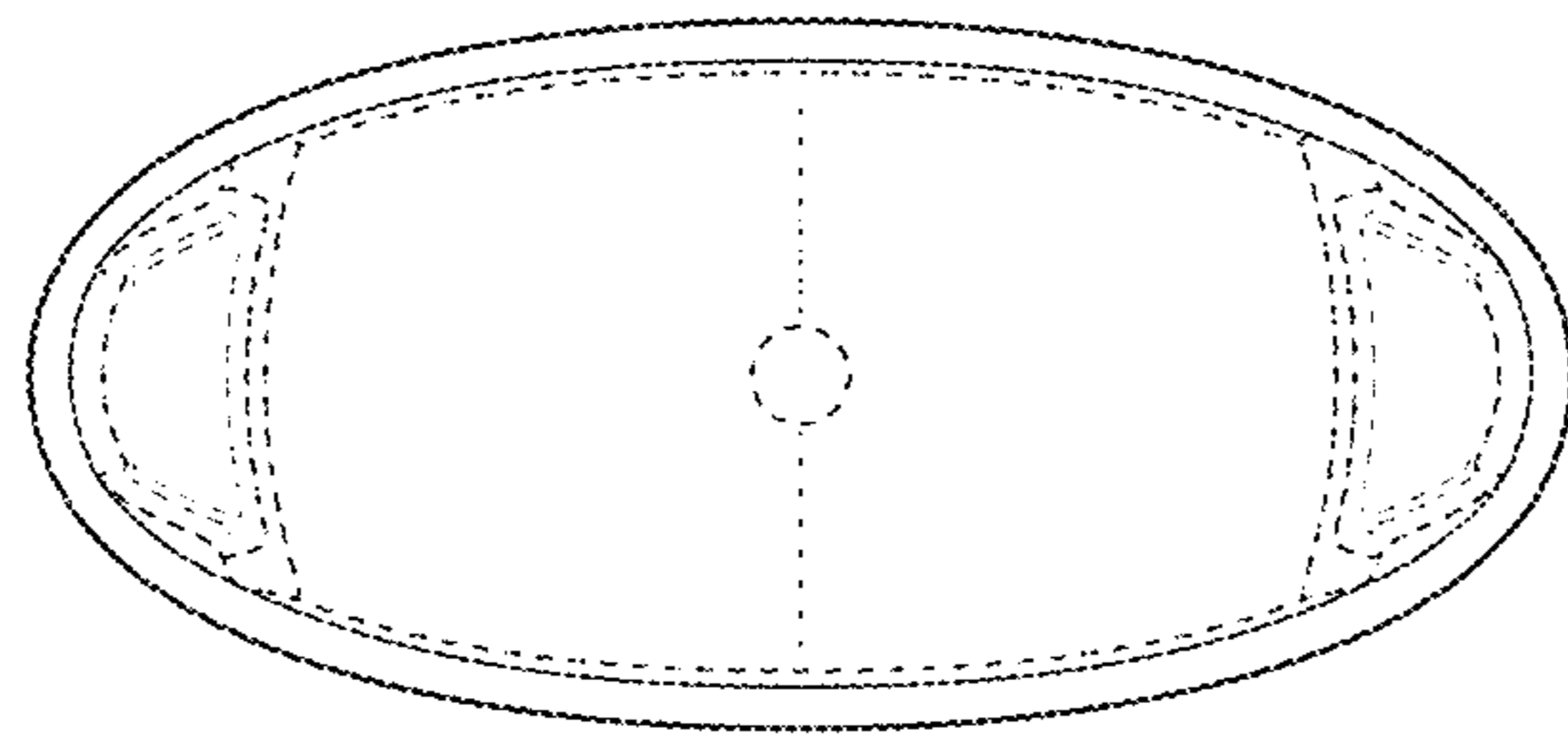


FIG. 8