



US00D741171S

(12) **United States Design Patent**
Thurin et al.

(10) **Patent No.:** **US D741,171 S**
(45) **Date of Patent:** **** Oct. 20, 2015**

(54) **CONTAINER**
(71) Applicant: **S.C. Johnson & Son, Inc.**, Racine, WI (US)
(72) Inventors: **Matthew N. Thurin**, Wauwatosa, WI (US); **Rishabh Singh**, Milwaukee, WI (US); **Christopher M. Wlezien**, Chicago, IL (US); **Peter I. Capraro**, San Francisco, CA (US); **Allan Freas Velzy**, Boston, MA (US)

3,589,554 A 6/1971 Smith
3,981,401 A 9/1976 Blanchard
4,483,455 A 11/1984 Prophet, Jr. et al.
D279,251 S 6/1985 Daenen et al.
4,562,937 A 1/1986 Iyengar
4,700,842 A 10/1987 Grusin
4,742,935 A 5/1988 Schellenberg
4,844,263 A 7/1989 Hadtke
4,899,925 A 2/1990 Bowden et al.
4,951,832 A 8/1990 Tenney et al.
5,184,745 A 2/1993 Havens et al.
5,356,026 A 10/1994 Andress et al.

(Continued)

(73) Assignee: **S.C. Johnson & Son, Inc.**, Racine, WI (US)

FOREIGN PATENT DOCUMENTS

(**) Term: **14 Years**

GB Des. 4021888 10/2011
WO WO 2012/009035 A1 1/2012

(21) Appl. No.: **29/461,259**

OTHER PUBLICATIONS

(22) Filed: **Jul. 19, 2013**

Co-pending U.S. Appl. No. 29/461,249, filed Jul. 19, 2013.

(51) **LOC (10) Cl.** **09-03**

(Continued)

(52) **U.S. Cl.**
USPC **D9/432; D7/629**

(58) **Field of Classification Search**
USPC D7/391, 392, 392.1, 397, 538, 542, 602, D7/629; D9/424, 430, 435, 449, 452, 428, D9/432; 220/212, 213, 260, 574, 660, 675, 220/781, 782, 783, 790, 791, 794
CPC B65D 2543/00296; B65D 21/02
See application file for complete search history.

Primary Examiner — Robert M Spear
Assistant Examiner — Kendra L Hamilton

(57) **CLAIM**
The ornamental design for a container, as shown and described.

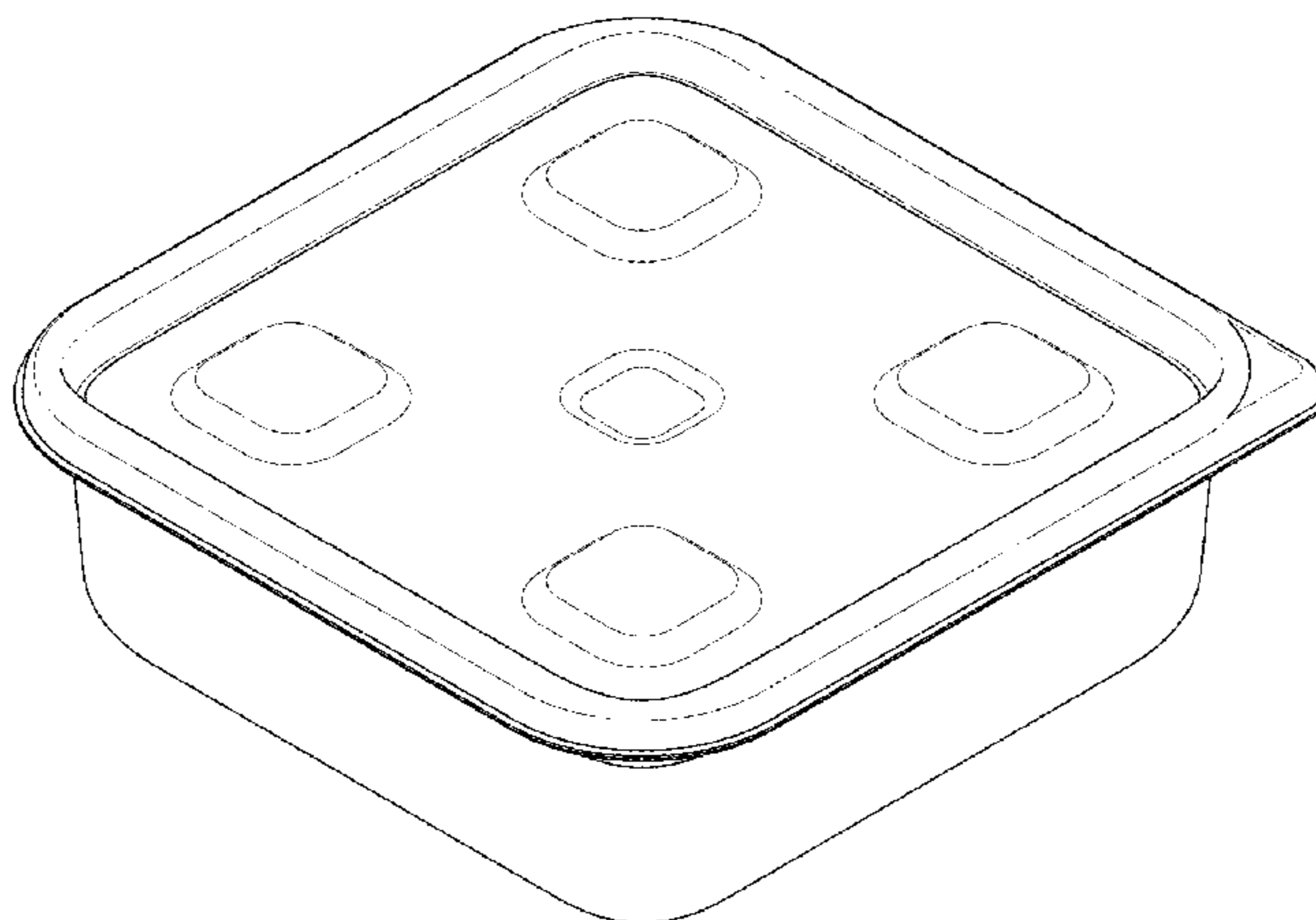
DESCRIPTION

(56) **References Cited**
U.S. PATENT DOCUMENTS

1,542,115 A 6/1925 Weis
2,412,325 A 12/1946 Devine et al.
2,575,770 A 11/1951 Roop
2,606,586 A 8/1952 Hill
2,695,115 A 11/1954 Roop
3,117,692 A 1/1964 Carpenter et al.
3,262,602 A 7/1966 McConnell et al.
3,338,468 A 8/1967 Wilson
3,452,896 A 7/1969 Elliot

FIG. 1 is a top perspective view of a container showing our new design;
FIG. 2 is a front view thereof;
FIG. 3 is a rear view thereof;
FIG. 4 is a right side view thereof;
FIG. 5 is a left side view thereof;
FIG. 6 is a top view thereof;
FIG. 7 is a bottom view thereof; and,
FIG. 8 is a bottom perspective view thereof.

1 Claim, 8 Drawing Sheets



(56)

References Cited

U.S. PATENT DOCUMENTS

5,377,860 A	1/1995	Littlejohn et al.	D527,954 S	9/2006	Roth	
5,409,126 A	4/1995	DeMars	D536,922 S	2/2007	Roth et al.	
D360,105 S	7/1995	Doxey	D536,923 S	2/2007	Roth et al.	
5,542,234 A	8/1996	Wyslowsky et al.	D541,648 S *	5/2007	Bennett et al.	D9/425
5,560,315 A	10/1996	Lampe	D542,100 S	5/2007	Kim	
5,586,656 A	12/1996	Abrums	7,216,769 B2	5/2007	Palder	
5,634,559 A	6/1997	Foos et al.	D545,618 S	7/2007	Zettle et al.	
D388,325 S	12/1997	Tucker et al.	D547,177 S	7/2007	Sherman et al.	
5,692,617 A	12/1997	Adams	D548,537 S *	8/2007	Liu	D7/629
D389,408 S *	1/1998	Rask et al.	D548,538 S	8/2007	Liu	
5,709,304 A	1/1998	Credle, Jr.	7,261,219 B2	8/2007	Tucker et al.	
D390,109 S	2/1998	Tucker et al.	D551,496 S	9/2007	Ablo et al.	
5,769,229 A	6/1998	Andress et al.	7,264,135 B2	9/2007	Savicki et al.	
5,799,792 A	9/1998	Abrums	D555,475 S	11/2007	Enriquez et al.	
5,810,187 A	9/1998	Woodring	D555,983 S *	11/2007	Tucker et al.	D7/629
D411,741 S	6/1999	Wilson et al.	D556,517 S	12/2007	Lown et al.	
5,992,679 A	11/1999	Porchia et al.	7,347,327 B2	3/2008	Lobman et al.	
D419,829 S *	2/2000	Wilson et al.	7,357,272 B2	4/2008	Maxwell	
D420,252 S	2/2000	Loew et al.	D568,693 S	5/2008	Furlong	
6,032,827 A	3/2000	Zettle et al.	D568,694 S	5/2008	Furlong	
D427,063 S	6/2000	May	D569,722 S	5/2008	Stamper et al.	
D428,310 S	7/2000	Zettle et al.	7,380,412 B2	6/2008	Roth et al.	
6,168,044 B1	1/2001	Zettle et al.	D575,100 S	8/2008	Liu	
6,170,696 B1	1/2001	Tucker et al.	7,451,875 B1	11/2008	Norris	
D439,744 S	4/2001	Ho	D585,699 S	2/2009	Furlong	
D440,470 S	4/2001	Tucker et al.	D586,179 S	2/2009	Furlong	
D443,184 S	6/2001	Maxwell et al.	D588,417 S	3/2009	Doliwa	
D443,798 S	6/2001	Tucker et al.	D589,759 S	4/2009	Ozery et al.	
6,253,948 B1 *	7/2001	Ficker	D593,751 S *	6/2009	McDade	D3/272
D446,117 S	8/2001	Conti	7,549,540 B2	6/2009	Lee et al.	
D447,382 S	9/2001	Tucker et al.	D603,697 S	11/2009	Edwards et al.	
D448,606 S	10/2001	Conti	D606,812 S	12/2009	Wu	
D448,969 S	10/2001	Conti	7,661,528 B2	2/2010	Vovan et al.	
D449,495 S	10/2001	Tucker et al.	D611,807 S	3/2010	Miga, Jr.	
D450,983 S	11/2001	Tucker et al.	D613,111 S *	4/2010	Furlong	D7/392.1
D451,769 S	12/2001	Stanos et al.	D615,349 S	5/2010	Furlong	
6,415,945 B1	7/2002	Zank et al.	D618,516 S	6/2010	DiPietro et al.	
D462,880 S	9/2002	Maxwell et al.	7,726,483 B2	6/2010	Ramanujam et al.	
6,467,647 B1	10/2002	Tucker et al.	7,735,674 B2	6/2010	Cai	
D465,382 S	11/2002	Wolf et al.	7,866,502 B2	1/2011	Maxwell	
D466,364 S	12/2002	Demore	D642,861 S	8/2011	Samartgis	
D472,774 S	4/2003	Pelstring et al.	D643,629 S *	8/2011	Sofy et al.	D3/302
6,557,720 B2	5/2003	Tosdale et al.	8,006,513 B2	8/2011	Roth et al.	
D485,468 S	1/2004	Roth et al.	8,011,205 B2	9/2011	Roth et al.	
D485,473 S	1/2004	Dais et al.	8,074,830 B2	12/2011	Pomfrey	
6,672,473 B2	1/2004	Torniainen et al.	8,083,084 B2	12/2011	Vovan	
6,685,049 B1	2/2004	Paladino	8,083,095 B2	12/2011	Hui	
D490,278 S	5/2004	Welsh	8,118,190 B2	2/2012	Coonce	
6,729,472 B2	5/2004	Stucke et al.	8,123,064 B2	2/2012	Vovan	
6,761,041 B2	7/2004	Roth et al.	8,146,766 B2	4/2012	Vovan et al.	
6,796,430 B2	9/2004	Mercier et al.	8,157,123 B2	4/2012	Tucker et al.	
6,874,650 B2	4/2005	Welsh et al.	8,308,021 B2	11/2012	Turvey et al.	
6,886,694 B2	5/2005	McNeeley et al.	8,322,530 B2	12/2012	Furlong	
D505,835 S	6/2005	Schultz et al.	8,381,909 B2	2/2013	Hernandez et al.	
D505,839 S	6/2005	Stanos et al.	D677,568 S	3/2013	Sina	
D505,840 S	6/2005	Schultz et al.	D682,687 S *	5/2013	McCumber et al.	D9/435
D506,106 S	6/2005	Ordiway et al.	D723,864 S *	3/2015	Thurin et al.	D7/392.1
D506,359 S	6/2005	Zettle et al.	2004/0144781 A1	7/2004	Dees et al.	
6,910,599 B2	6/2005	Tucker et al.	2006/0011626 A1	1/2006	Palder	
D507,155 S	7/2005	Gosen et al.	2006/0070907 A1	4/2006	O'Shea	
D507,937 S	8/2005	Dais et al.	2007/0119743 A1	5/2007	Tucker et al.	
D508,187 S	8/2005	Dais et al.	2007/0187277 A1	8/2007	Furlong	
D508,188 S	8/2005	Zettle et al.	2008/0105630 A1	5/2008	Lown	
D511,435 S	11/2005	Roth et al.	2009/0084796 A1	4/2009	Coonce et al.	
D512,278 S	12/2005	Schultz et al.	2009/0145797 A1	6/2009	Steinmeyer	
D514,390 S	2/2006	Palder	2009/0173656 A1	7/2009	Furlong	
D516,859 S	3/2006	Zettle et al.	2010/0006467 A1	1/2010	Joseph et al.	
7,017,775 B2	3/2006	Zettle et al.	2010/0065461 A1	3/2010	Chhay	
7,032,773 B2	4/2006	Dees et al.	2010/0170824 A1	7/2010	Ramanujam et al.	
D522,319 S	6/2006	Palder	2010/0176022 A1	7/2010	Furlong	
7,063,231 B2	6/2006	Stanos et al.	2010/0181323 A1	7/2010	Thaler et al.	
D526,161 S	8/2006	Roth et al.	2010/0200588 A1	8/2010	Bergman et al.	
D527,224 S	8/2006	Roth et al.	2011/0031153 A1	2/2011	Vovan	
D527,951 S	9/2006	Roth et al.	2011/0114638 A1	5/2011	Kettner et al.	
D527,952 S	9/2006	Roth et al.	2011/0309075 A1	12/2011	Roth et al.	
			2011/0315702 A1	12/2011	LeBoeuf et al.	
			2012/0006837 A1	1/2012	Becklin	
			2012/0048874 A1	3/2012	Oakes et al.	
			2013/0075295 A1 *	3/2013	Sina	206/459.5

(56)

References Cited

U.S. PATENT DOCUMENTS

OTHER PUBLICATIONS

Co-pending U.S. Appl. No. 29/461,250, filed Jul. 19, 2013.
Co-pending U.S. Appl. No. 29/461,251, filed Jul. 19, 2013.
Co-pending U.S. Appl. No. 29/461,252, filed Jul. 19, 2013.
Co-pending U.S. Appl. No. 29/461,253, filed Jul. 19, 2013.
Co-pending U.S. Appl. No. 29/461,254, filed Jul. 19, 2013.
Co-pending U.S. Appl. No. 29/461,255, filed Jul. 19, 2013.
Co-pending U.S. Appl. No. 29/461,256, filed Jul. 19, 2013.
Co-pending U.S. Appl. No. 29/461,257, filed Jul. 19, 2013.
Co-pending U.S. Appl. No. 29/461,258, filed Jul. 19, 2013.
Co-pending U.S. Appl. No. 29/461,260, filed Jul. 19, 2013.
Co-pending U.S. Appl. No. 29/461,261, filed Jul. 19, 2013.

Co-pending U.S. Appl. No. 29/469,505, filed Oct. 10, 2013.
Co-pending U.S. Appl. No. 29/469,506, filed Oct. 10, 2013.
Co-pending U.S. Appl. No. 13/946,513, filed Jul. 19, 2013.
Infantino Annabel Karmel Feeding Accessories, <<http://www.thanksmailcarrier.com/2010/11/infantino-annabel-karmel-feeding.html>>, accessed Jan. 25, 2013.
LunchBlox™ Sandwich Kit, <http://www.rubbermaid.com/category/pages/productdetail.aspx?Prod_ID=RP092026>, accessed Jan. 25, 2013.
Play With Your Food: Lego Bento Box, <<http://kawaii-fabric.com/tag/fun-bento-boxes/>>, accessed Jan. 25, 2013.
Set of 5 Stackable Containers, <<http://www.etsy.com/listing/50125726/set-5-of-stackable-containers>>, accessed Jan. 25, 2013.
Co-pending U.S. Appl. No. 29/484,860, filed Mar. 13, 2014.

* cited by examiner

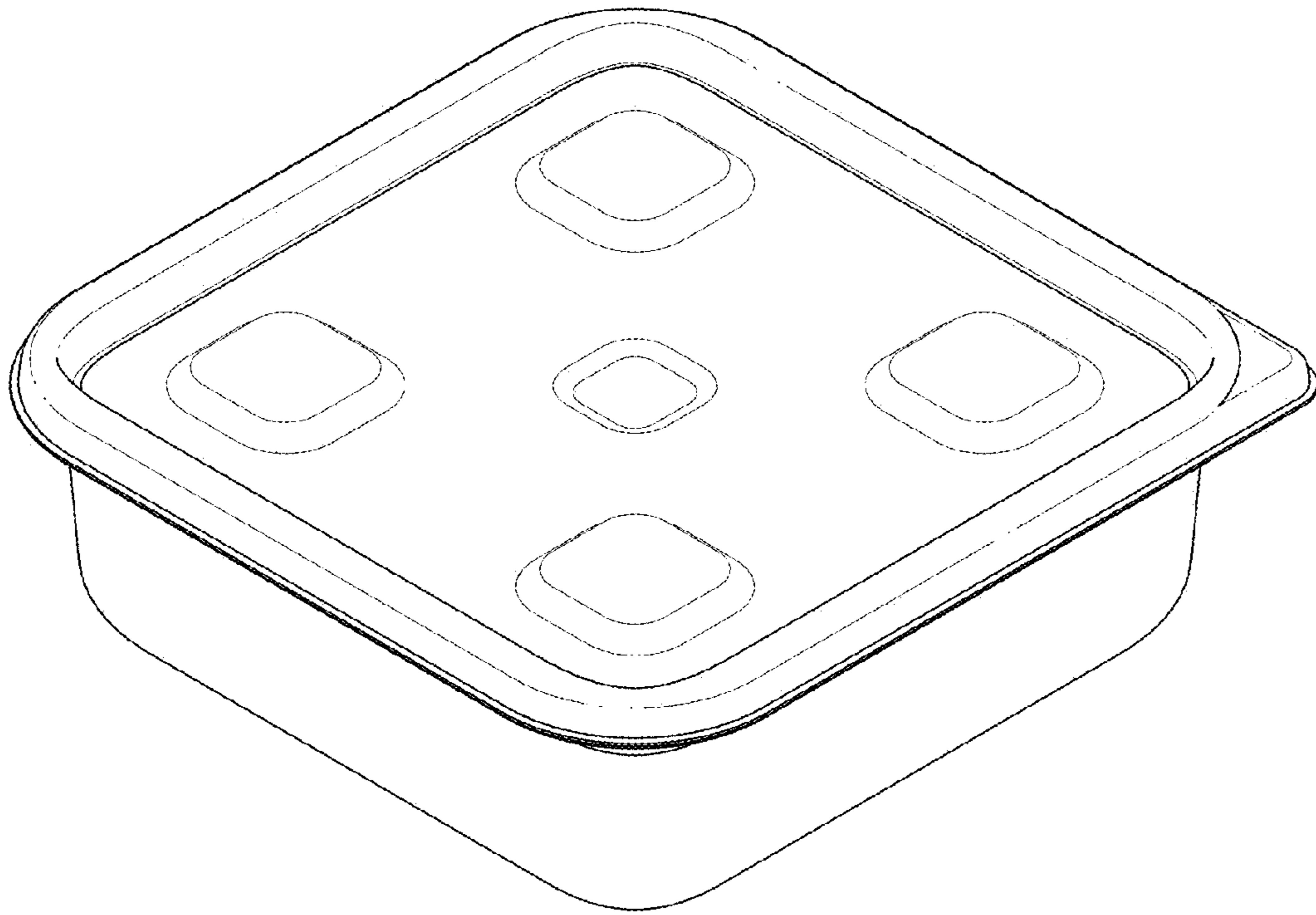


FIG. 1

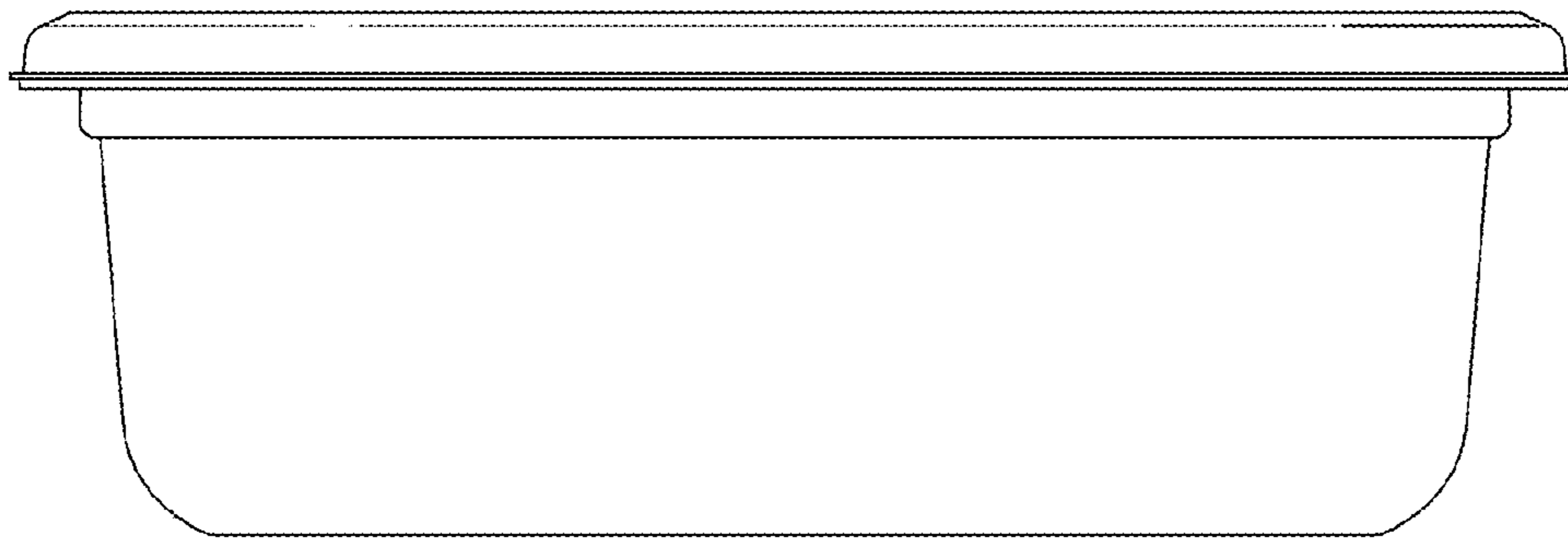


FIG. 2

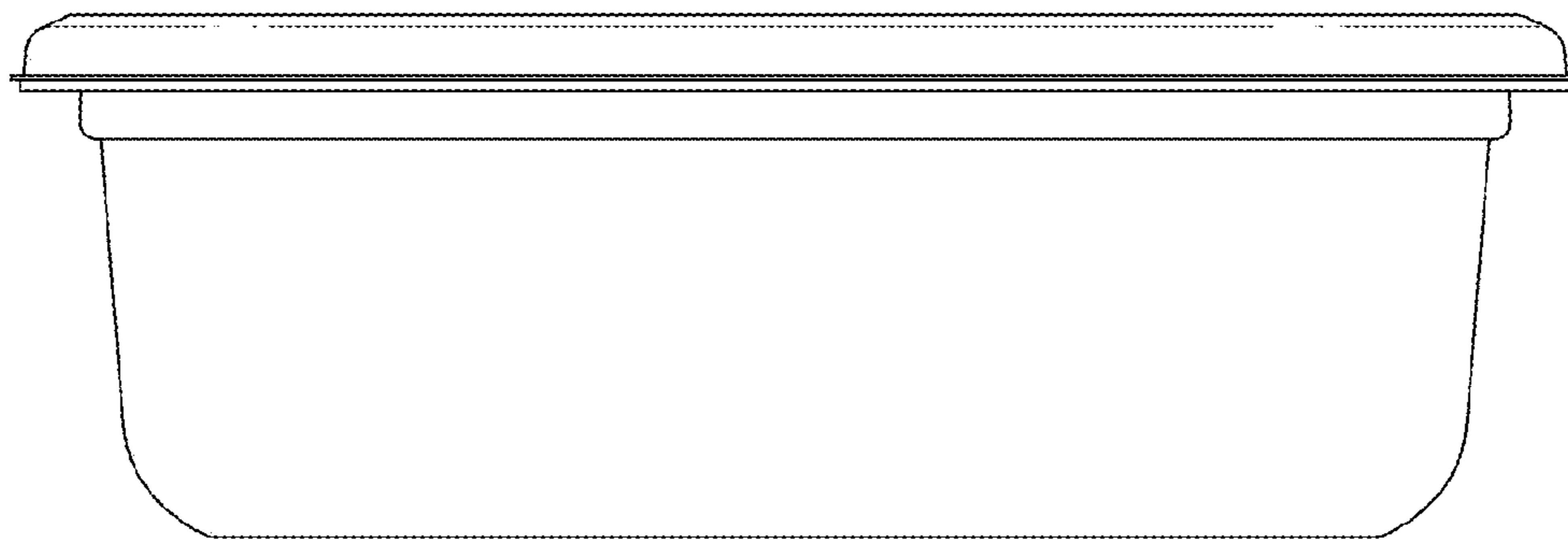


FIG. 3

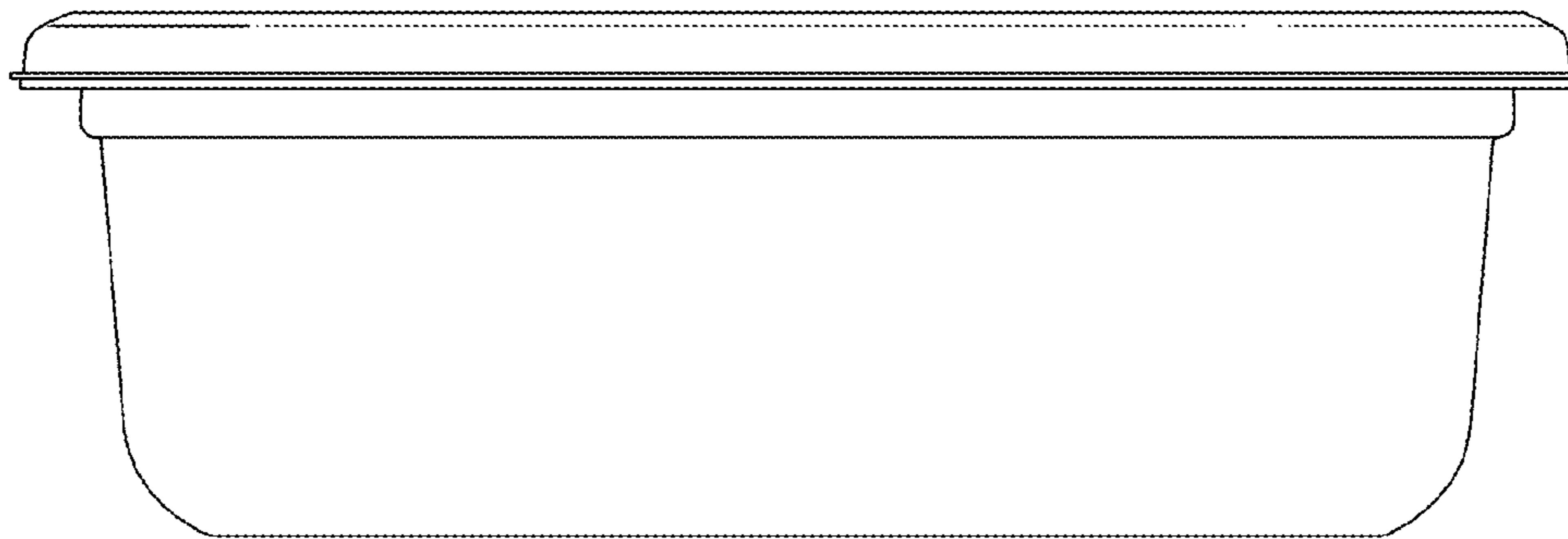


FIG. 4

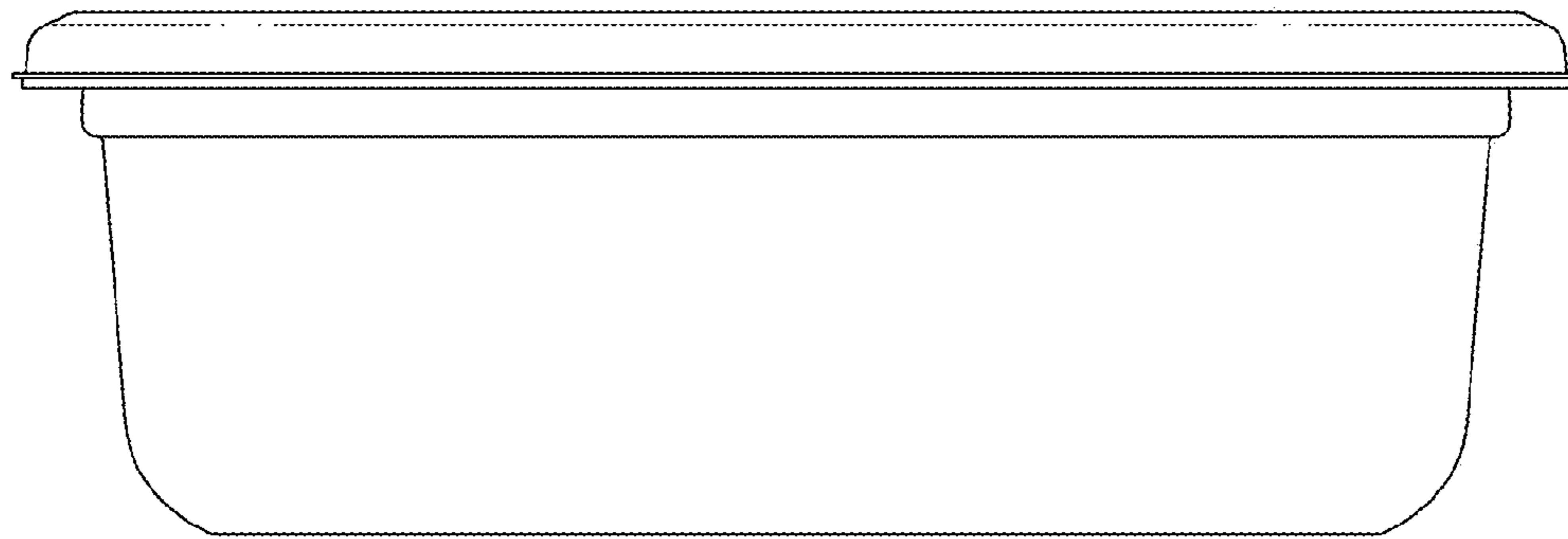


FIG. 5

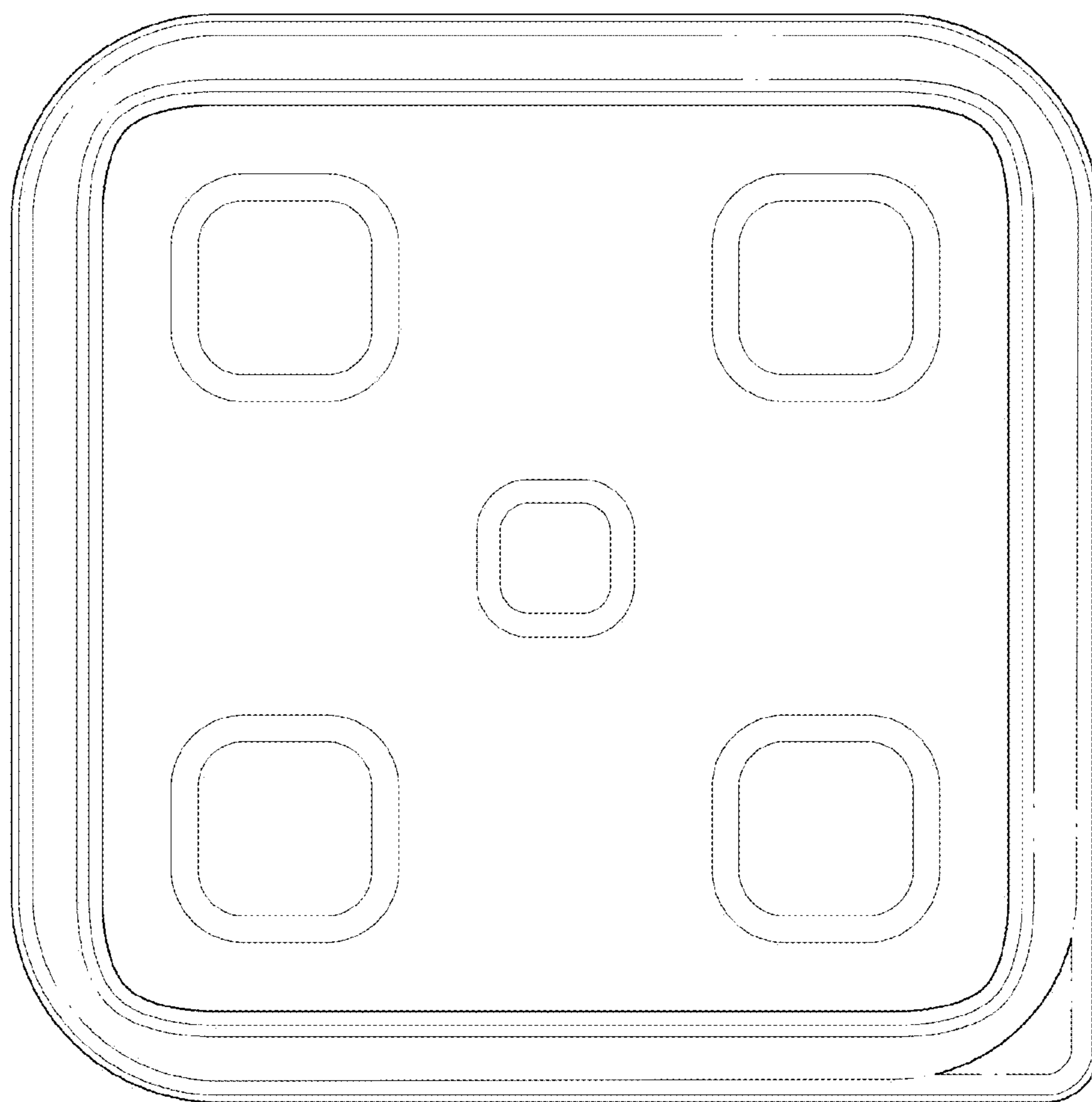


FIG. 6

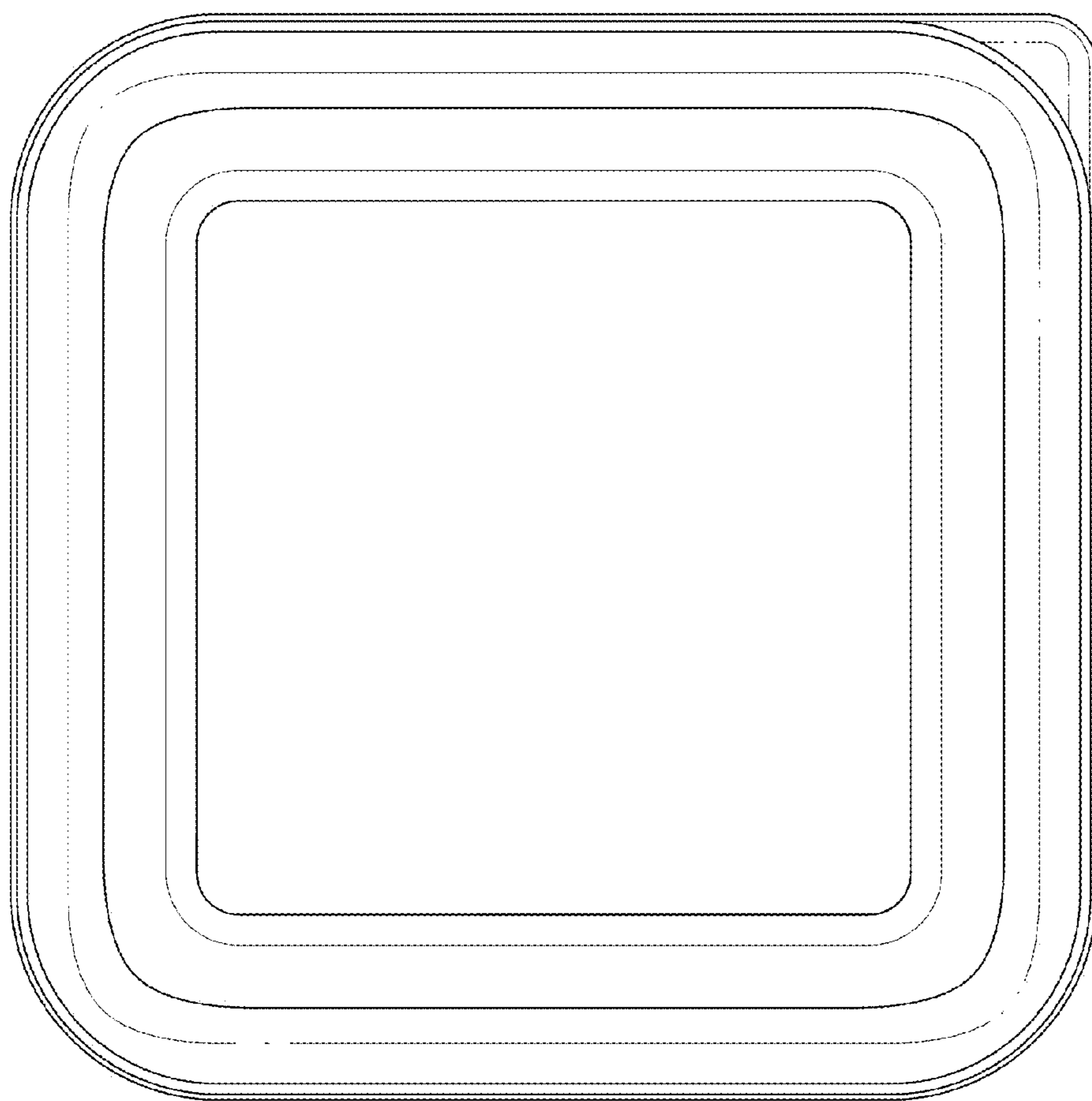


FIG. 7

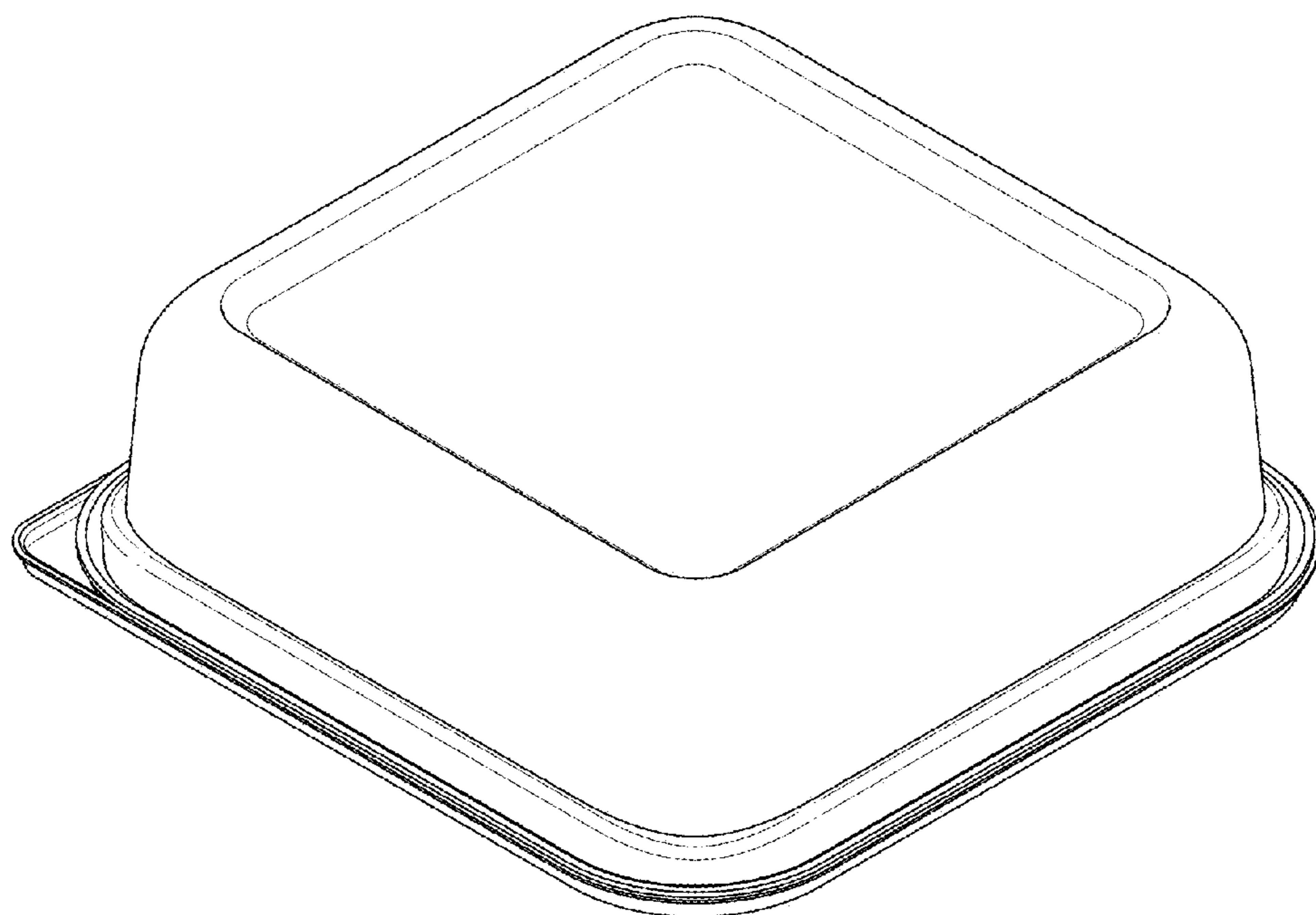


FIG. 8