



US00D741164S

(12) **United States Design Patent**  
**Brown et al.**

(10) **Patent No.:** **US D741,164 S**  
(45) **Date of Patent:** **\*\* Oct. 20, 2015**

(54) **PACKAGE CONTAINER FOR CAR ACCESSORIES**

(71) Applicant: **Who-Rae Pty Ltd**, South Melbourne VIC (AU)

(72) Inventors: **Warwick James Brown**, North Melbourne VIC (AU); **Lorrin Megan Windahl**, Spotswood VIC (AU)

(73) Assignee: **Who-Rae Pty Ltd**, South Melbourne (AU)

(\*\*) Term: **14 Years**

(21) Appl. No.: **29/472,978**

(22) Filed: **Nov. 18, 2013**

(51) **LOC (10) Cl.** ..... **09-03**

(52) **U.S. Cl.**  
USPC ..... **D9/414**

(58) **Field of Classification Search**  
USPC ..... D9/414, 416, 418, 432, 430, 423;  
D6/611; 206/494, 440, 581, 233;  
493/226; 297/228; 221/45;  
604/385.201  
See application file for complete search history.

(56) **References Cited**

**U.S. PATENT DOCUMENTS**

5,443,161	A *	8/1995	Jonese	206/581
5,816,992	A *	10/1998	Conrad	493/226
6,454,095	B1 *	9/2002	Brisebois et al.	206/494
6,773,062	B2 *	8/2004	Illulian	297/228
D495,951	S *	9/2004	Miller	D9/418
D532,685	S *	11/2006	Reussner	D9/416
7,140,513	B2 *	11/2006	Welchel et al.	221/45
D535,187	S *	1/2007	Clark et al.	D9/430
D542,074	S *	5/2007	Wildmon	D6/611
7,211,071	B2 *	5/2007	Mishima et al.	604/385.201
D548,591	S *	8/2007	Learn et al.	D9/432
D549,096	S *	8/2007	Ayats et al.	D9/430
D556,566	S *	12/2007	Steele et al.	D9/418

D558,044	S *	12/2007	Olson	D9/418
D589,343	S *	3/2009	Bohache et al.	D9/430
D590,244	S *	4/2009	Demalsche et al.	D9/414
8,146,742	B2 *	4/2012	Kumasaka	206/440
8,220,632	B2 *	7/2012	Oi et al.	206/494
D672,597	S *	12/2012	Watts	D6/611
D695,605	S *	12/2013	Johnson	D9/423
2006/0021894	A1 *	2/2006	Clark et al.	206/440
2006/0086627	A1 *	4/2006	Saggar et al.	206/233
2007/0151887	A1 *	7/2007	Clark et al.	206/494
2010/0018888	A1 *	1/2010	Hamilton	206/494
2010/0101969	A1 *	4/2010	Niikura et al.	206/494
2012/0325716	A1 *	12/2012	Evenson et al.	206/494
2014/0116912	A1	5/2014	Brown	

**OTHER PUBLICATIONS**

Who-Rae Pty Ltd, related Canadian Industrial Design Patent Application No. 154091, filed Nov. 20, 2013, 30 pages.

\* cited by examiner

*Primary Examiner* — Holly Baynham

*Assistant Examiner* — Rhea Shields

(74) *Attorney, Agent, or Firm* — Fredrikson & Byron, P.A.

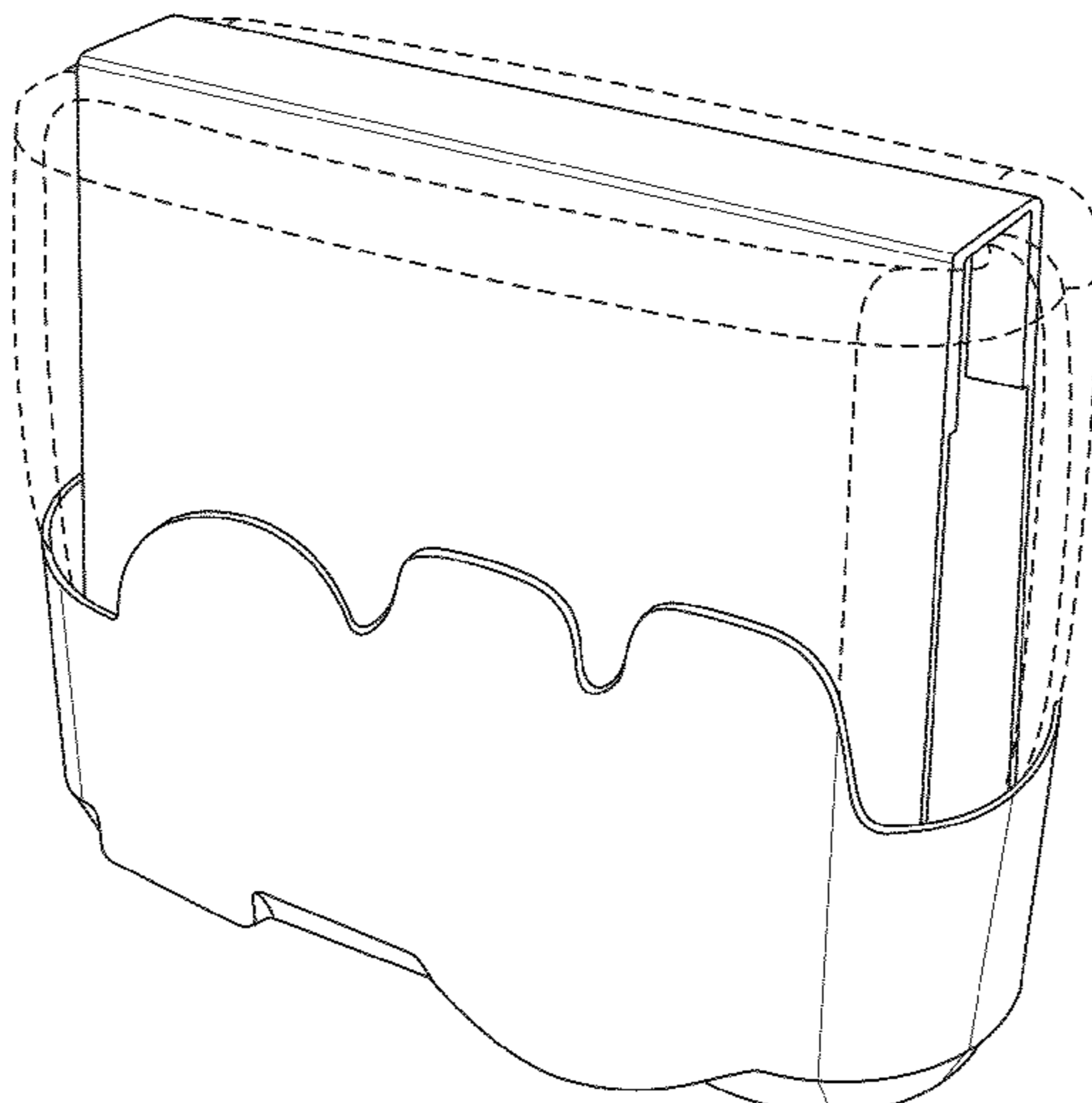
(57) **CLAIM**

We claim the ornamental design for a package container for car accessories, as shown and described.

**DESCRIPTION**

FIG. 1 is a front view of our new design for a package container for car accessories;  
FIG. 2 is a rear view thereof;  
FIG. 3 is a side view thereof;  
FIG. 4 is an opposing side view thereof;  
FIG. 5 is a top view thereof;  
FIG. 6 is bottom view thereof; and,  
FIG. 7 is a front perspective view thereof.  
In the drawings, the broken lines are for the purpose of illustrating environment only and form no part of the claimed design.

**1 Claim, 4 Drawing Sheets**



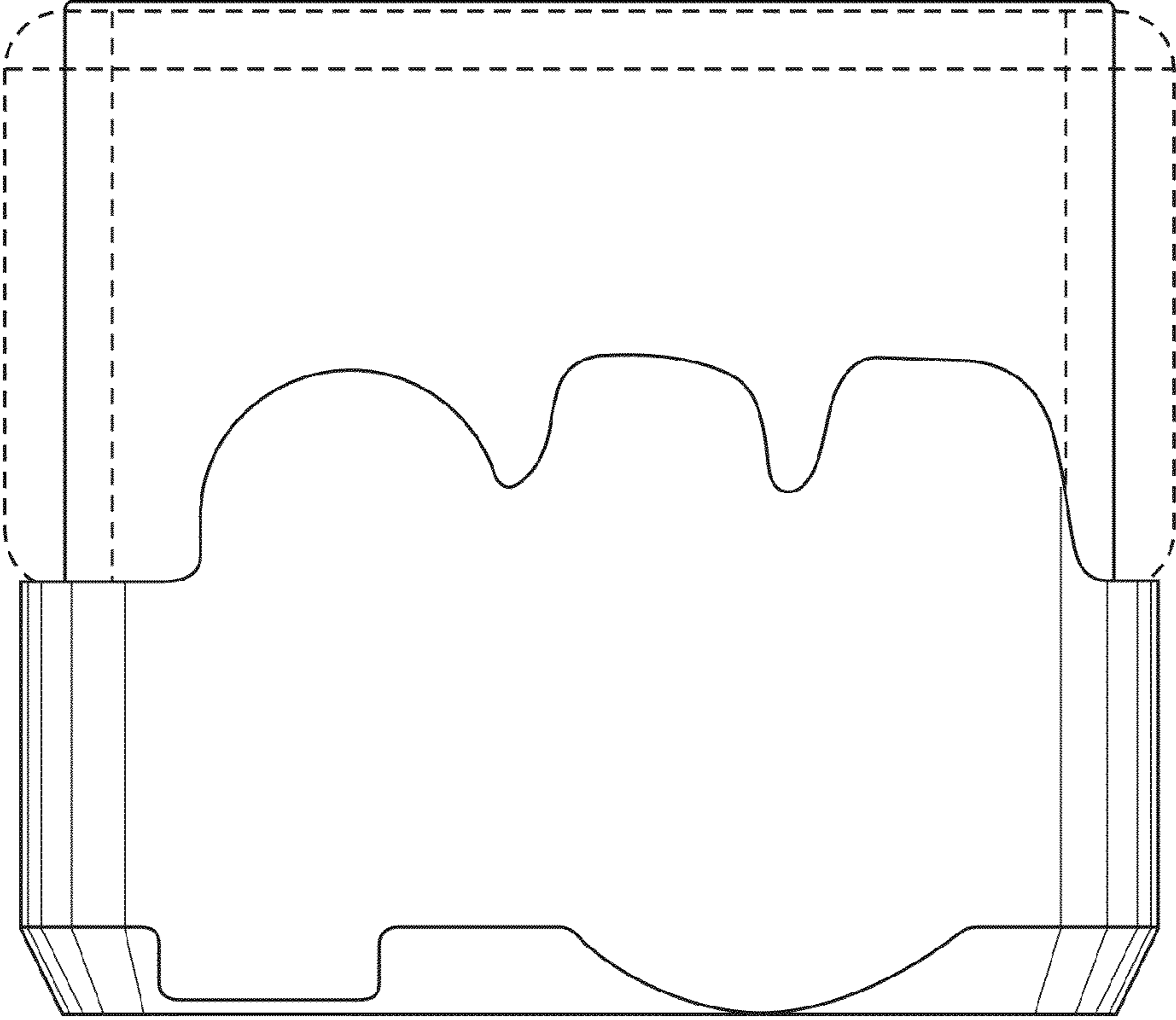


FIG. 1

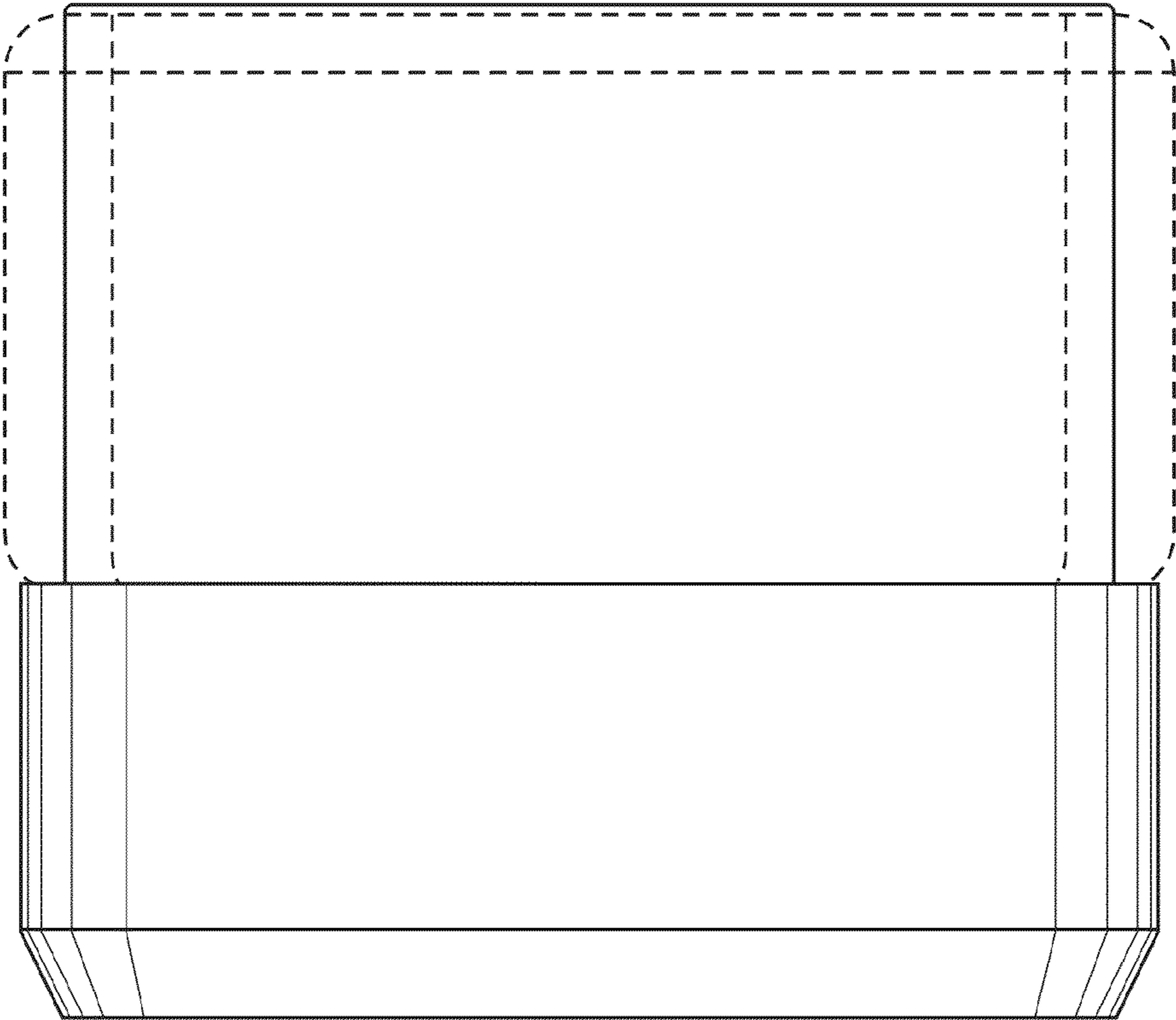


FIG. 2

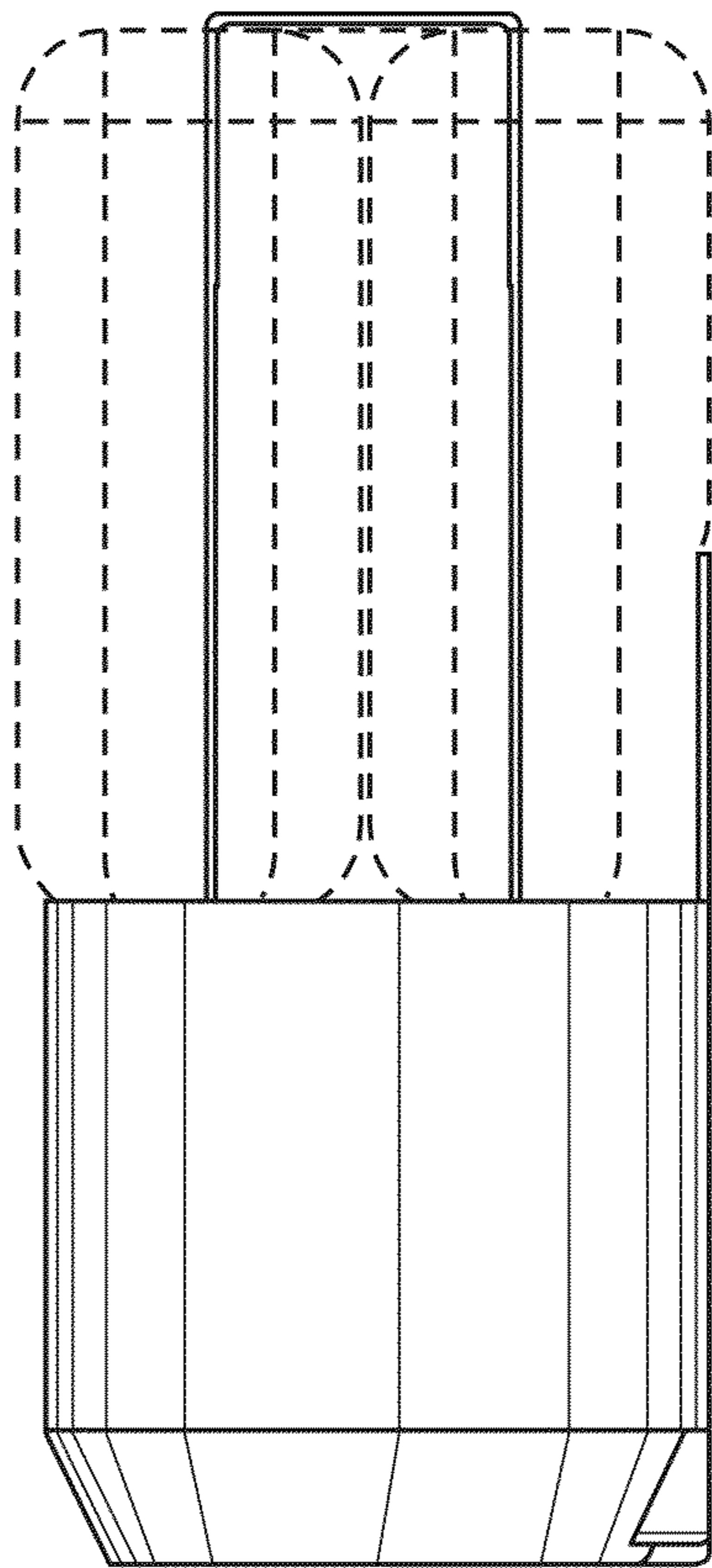


FIG. 3

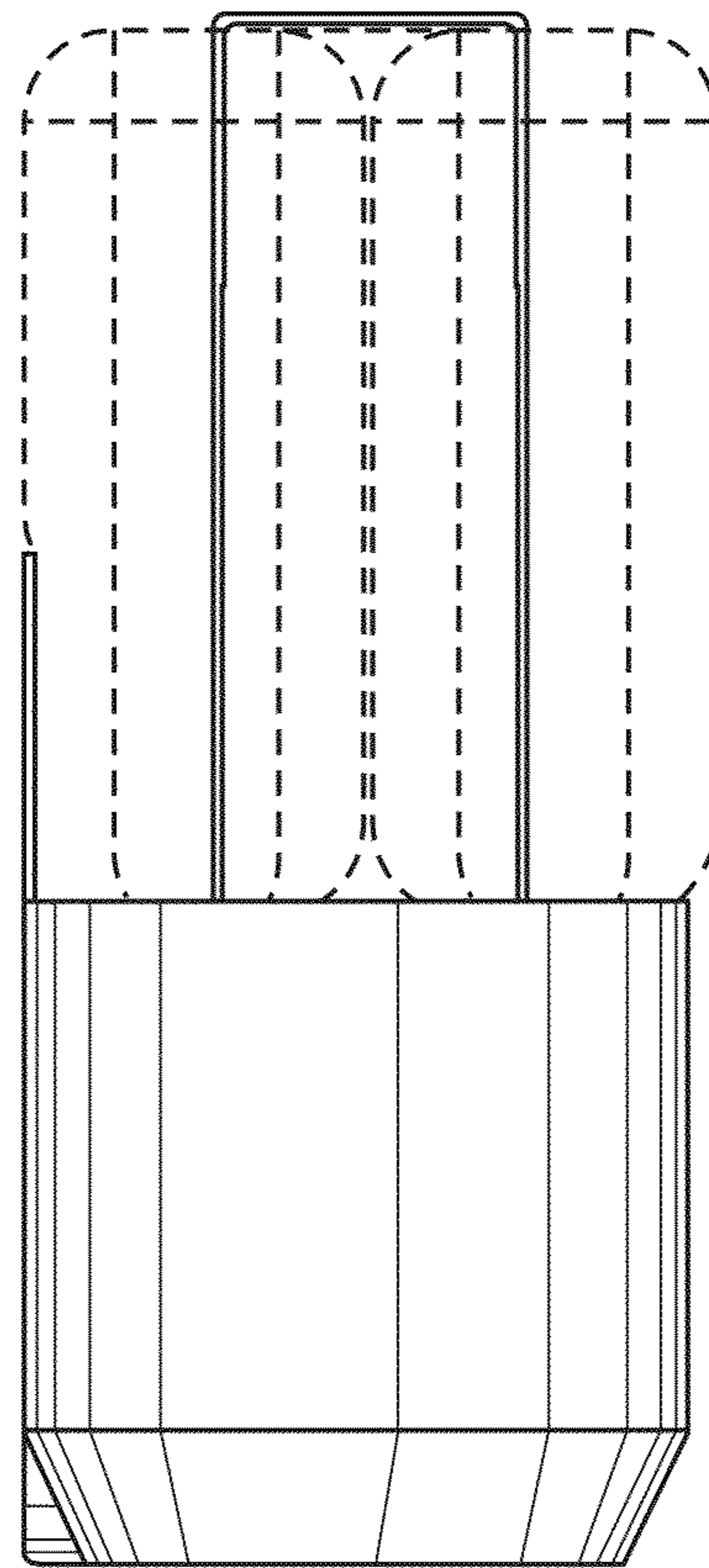


FIG. 4

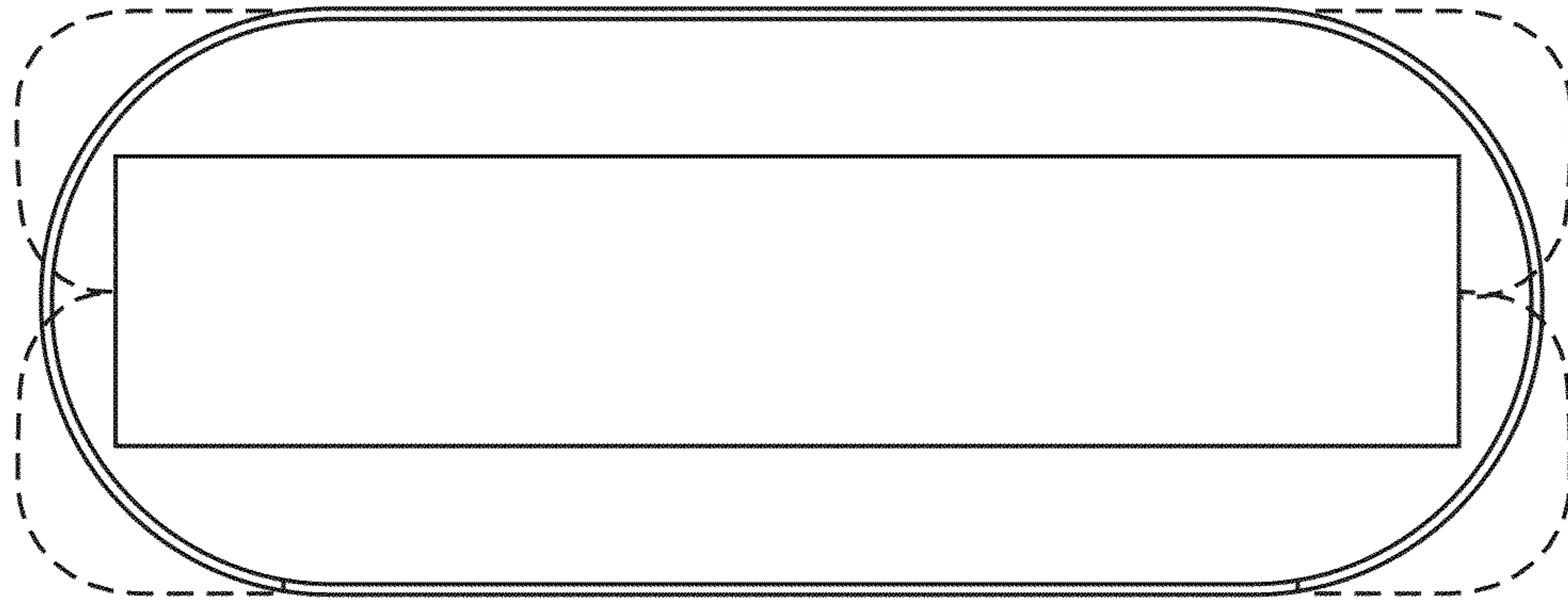


FIG. 5

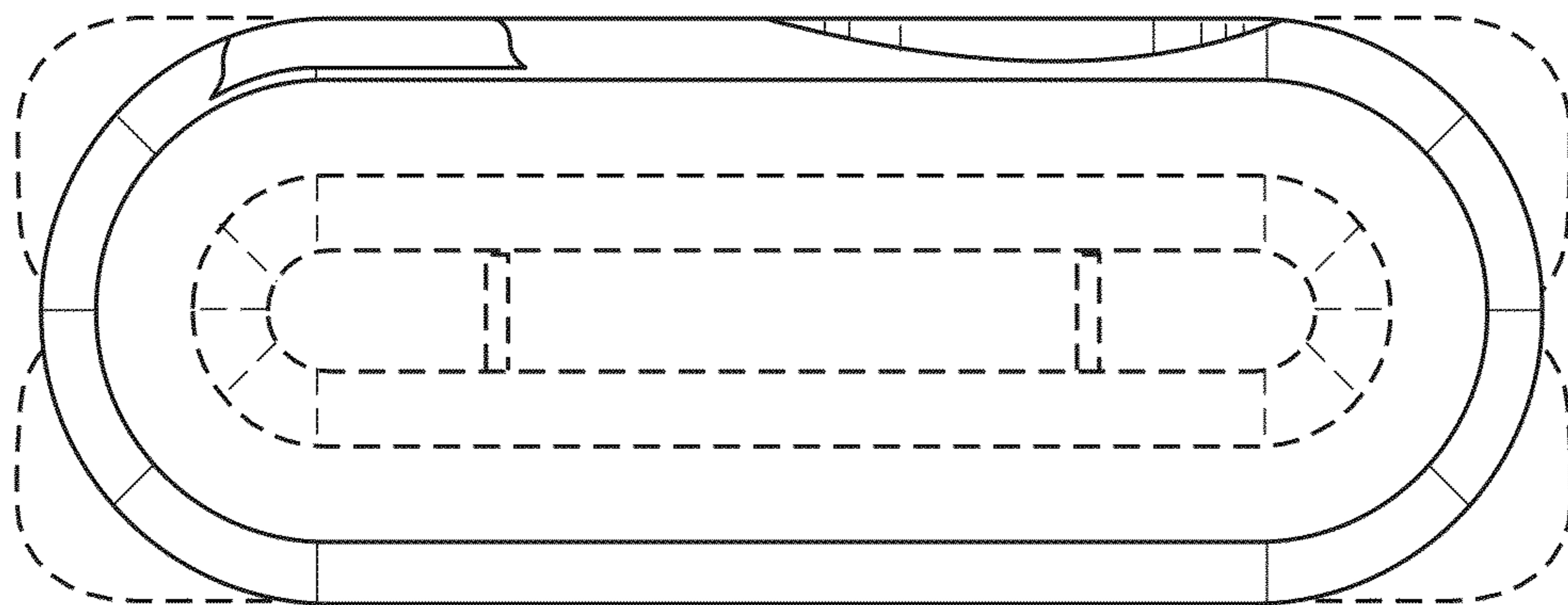


FIG. 6

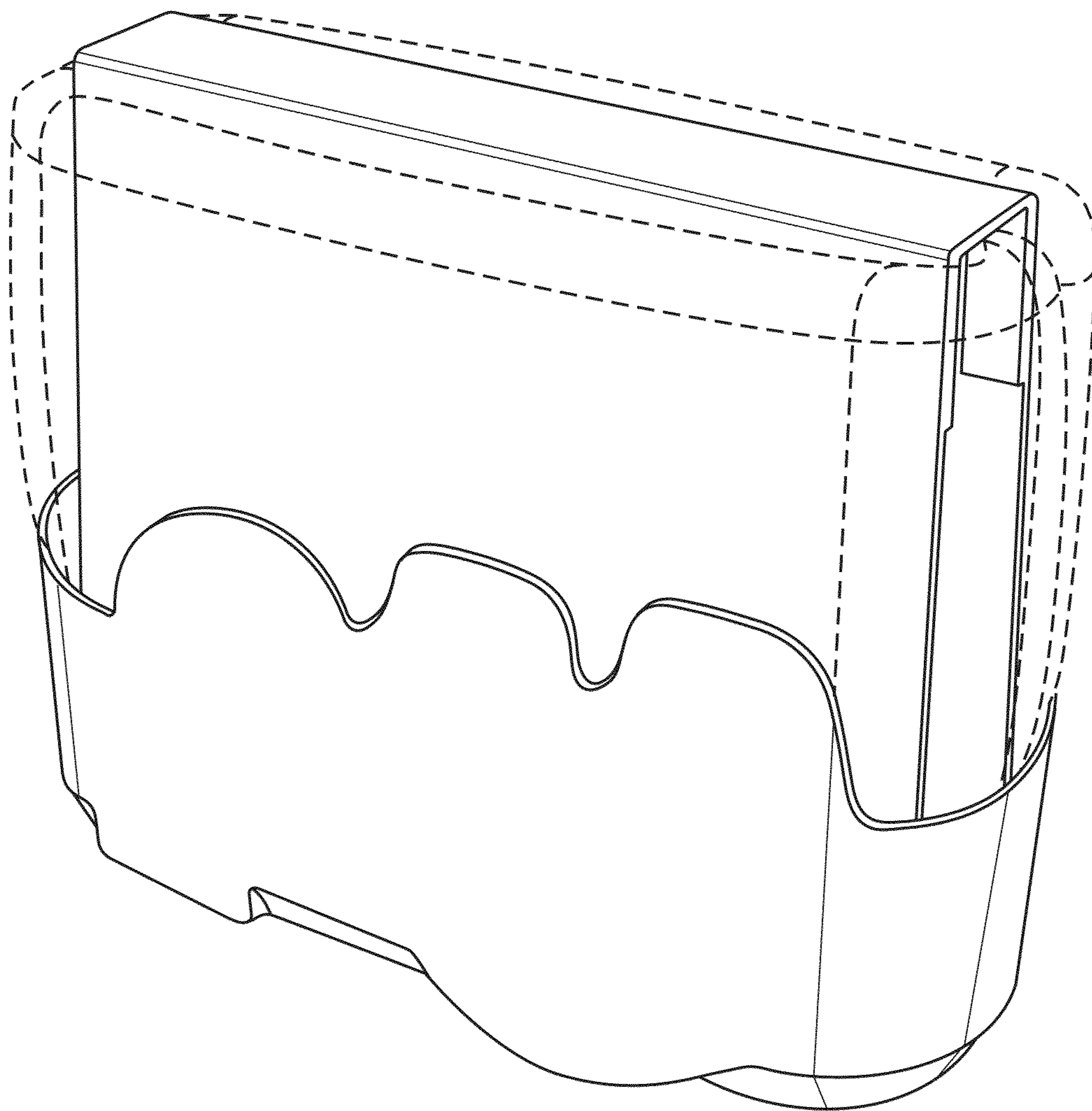


FIG. 7