



US00D741163S

(12) **United States Design Patent**  
**Yoon**

(10) **Patent No.:** **US D741,163 S**  
(45) **Date of Patent:** **\*\* Oct. 20, 2015**

(54) **CHECK RING FOR INDICATING NUT TIGHTENING AMOUNT**

(71) Applicant: **BMT Co., Ltd.**, Yangsan-si (KR)

(72) Inventor: **Jong-Chan Yoon**, Busan (KR)

(73) Assignee: **BMT CO., LTD.**, Yangsan-Si (KR)

(\*\*) Term: **14 Years**

(21) Appl. No.: **29/485,055**

(22) Filed: **Mar. 14, 2014**

(51) **LOC (10) CL.** ..... **08-08**

(52) **U.S. Cl.**  
USPC ..... **D8/399**

(58) **Field of Classification Search**  
USPC ..... D8/397, 394, 382, 349, 399; 411/427,  
411/429, 432, 918, 179, 180, 190, 327,  
411/531; D23/303  
See application file for complete search history.

(56) **References Cited**

**U.S. PATENT DOCUMENTS**

D285,247	S	*	8/1986	Jornhagen	.....	D23/269
D323,024	S	*	1/1992	Petersson et al.	.....	D23/269
D330,073	S	*	10/1992	Valls	.....	D23/269
D347,885	S	*	6/1994	Gustafsson	.....	D23/269
D351,459	S	*	10/1994	Andersson	.....	D23/269
D374,710	S	*	10/1996	Gustafsson	.....	D23/269
6,142,484	A	*	11/2000	Valls, Jr.	.....	277/602
6,298,521	B1	*	10/2001	Butterfield	.....	16/412
D557,386	S	*	12/2007	Darce	.....	D23/269
D559,363	S	*	1/2008	Darce	.....	D23/269
D574,934	S	*	8/2008	Darce et al.	.....	D23/269
D602,349	S	*	10/2009	Andersson	.....	D8/399
7,823,887	B2	*	11/2010	Geldenhuis	.....	277/641
D629,489	S	*	12/2010	Riedel	.....	D23/209

D652,705	S	*	1/2012	Stava	.....	D8/300
8,096,585	B2	*	1/2012	Vitel et al.	.....	285/110
D654,348	S	*	2/2012	Musselman	.....	D8/349
D660,691	S	*	5/2012	Yamazaki	.....	D8/399
D700,501	S	*	3/2014	Ackerman et al.	.....	D8/349
8,905,879	B2	*	12/2014	Lannutti et al.	.....	474/166
2003/0173273	A1	*	9/2003	Giordano et al.	.....	210/87
2006/0208429	A1	*	9/2006	Happel	.....	277/602

\* cited by examiner

*Primary Examiner* — Cynthia Underwood

(74) *Attorney, Agent, or Firm* — Birch, Stewart, Kolasch & Birch, LLP

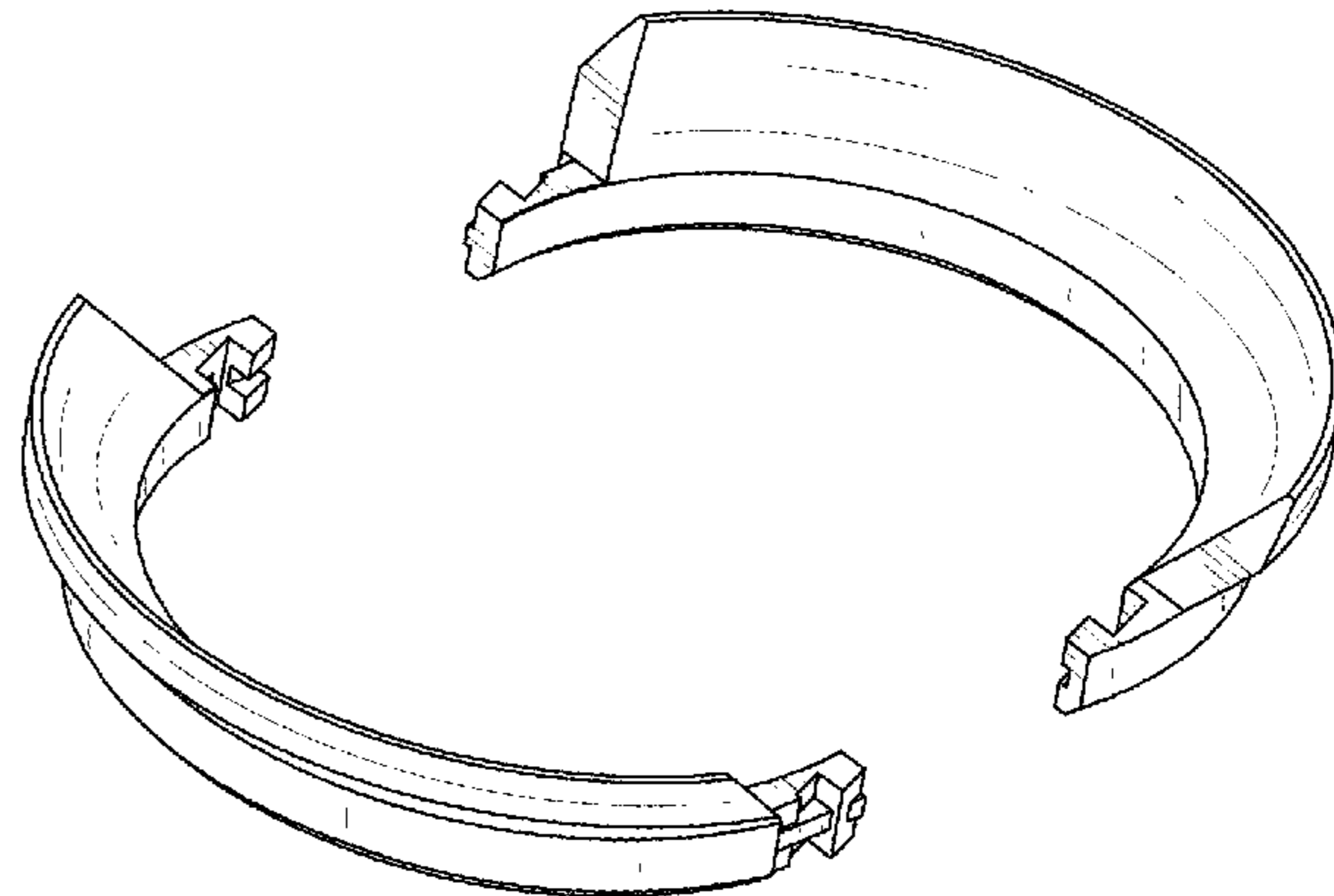
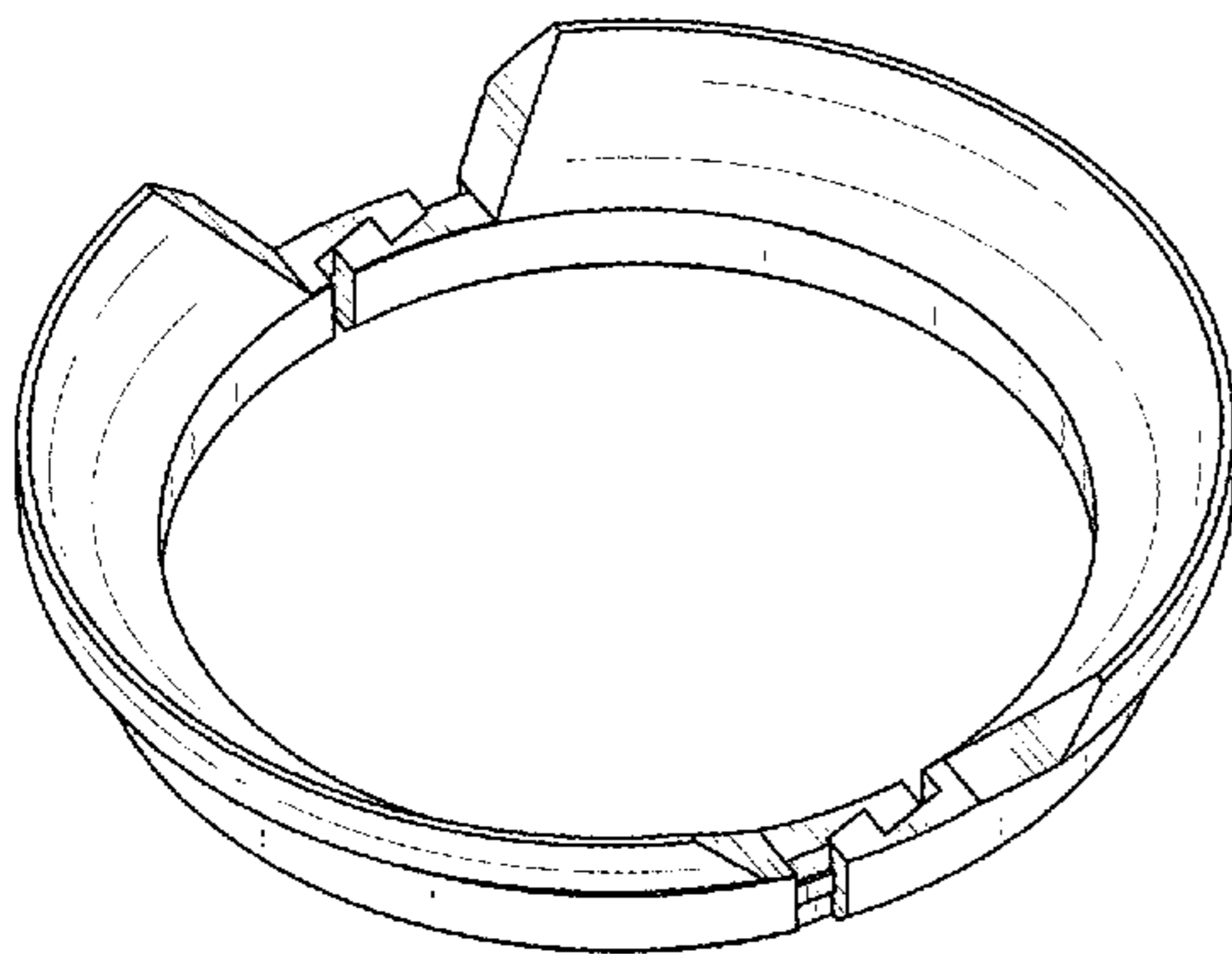
(57) **CLAIM**

The ornamental design for a check ring for indicating nut tightening amount, as shown and described.

**DESCRIPTION**

FIG. 1 is a front, right perspective view of the check ring for indicating nut tightening amount showing my new design; FIG. 2 is a front view thereof; FIG. 3 is a rear view thereof; FIG. 4 is a top plan view thereof; FIG. 5 is a bottom plan view thereof; FIG. 6 is a left side view thereof; FIG. 7 is a right side view thereof; FIG. 8 is a first perspective reference view thereof showing the design as an exploded view; FIG. 9 is a second perspective reference view thereof reduced in scale and showing the design in use; and, FIG. 10 is a third perspective reference view thereof reduced in scale and showing the design in use. The broken lines shown are included for the purpose of illustrating the environment in which the article is used and form no part of the claim.

**1 Claim, 4 Drawing Sheets**



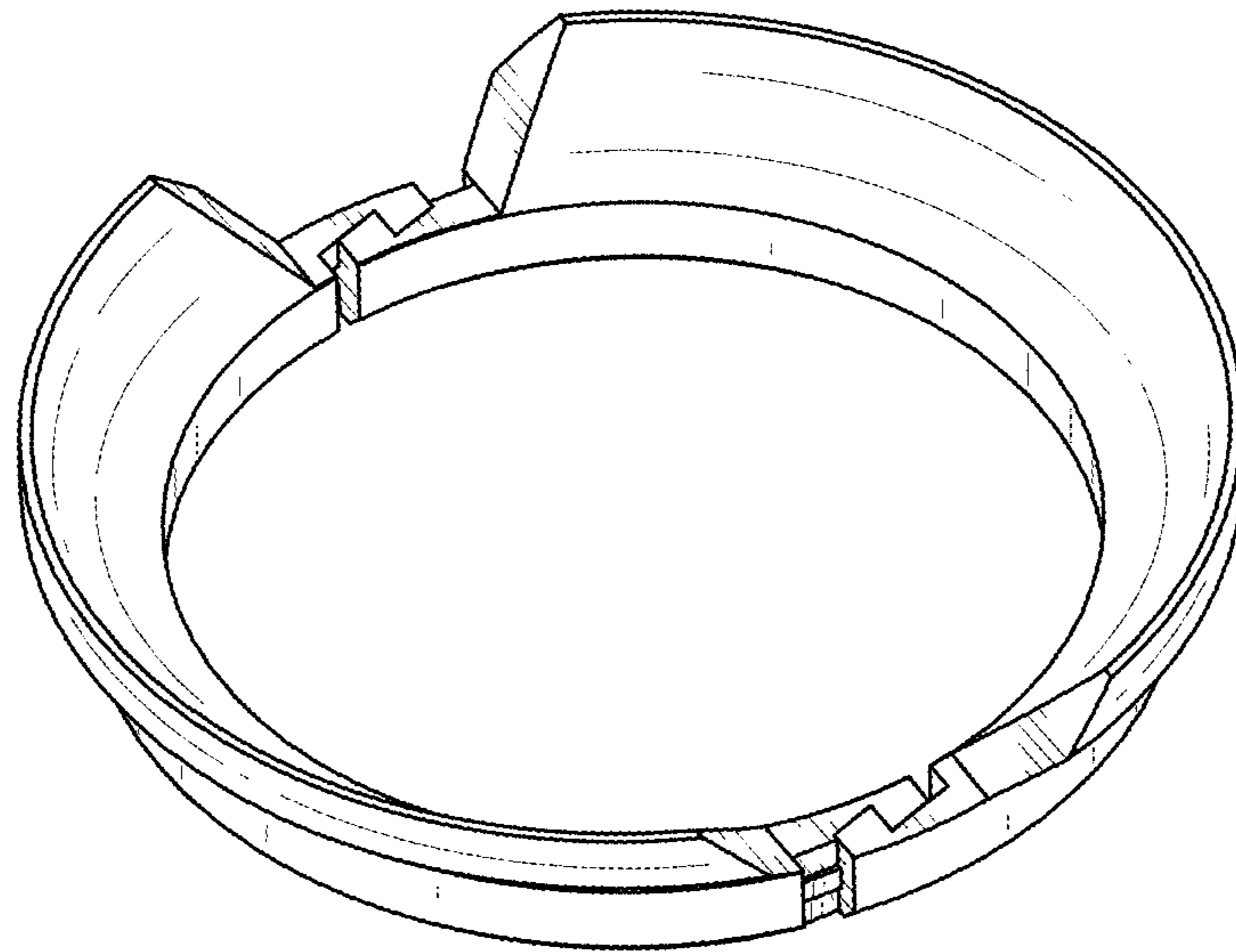


FIG. 1

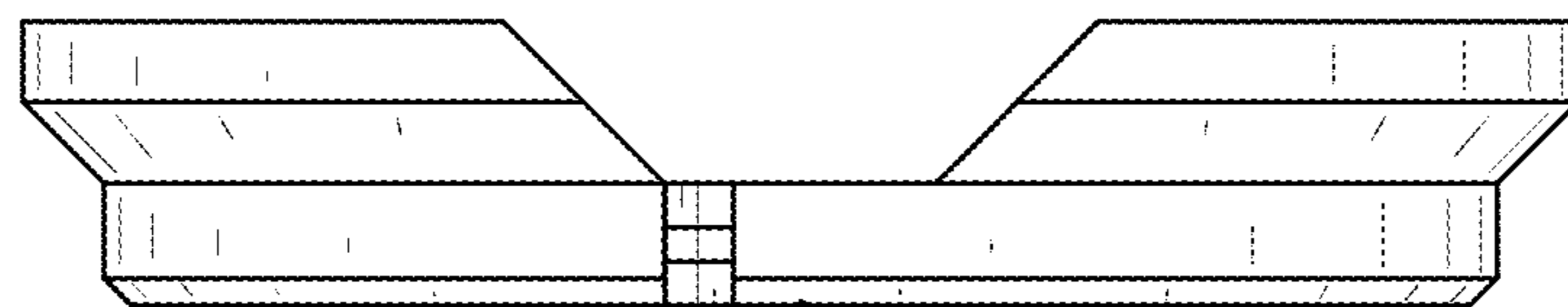


FIG. 2

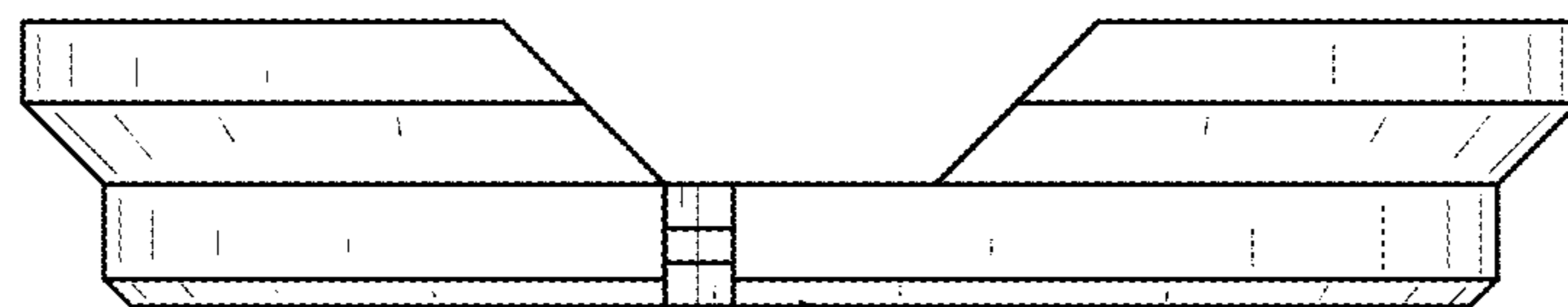


FIG. 3

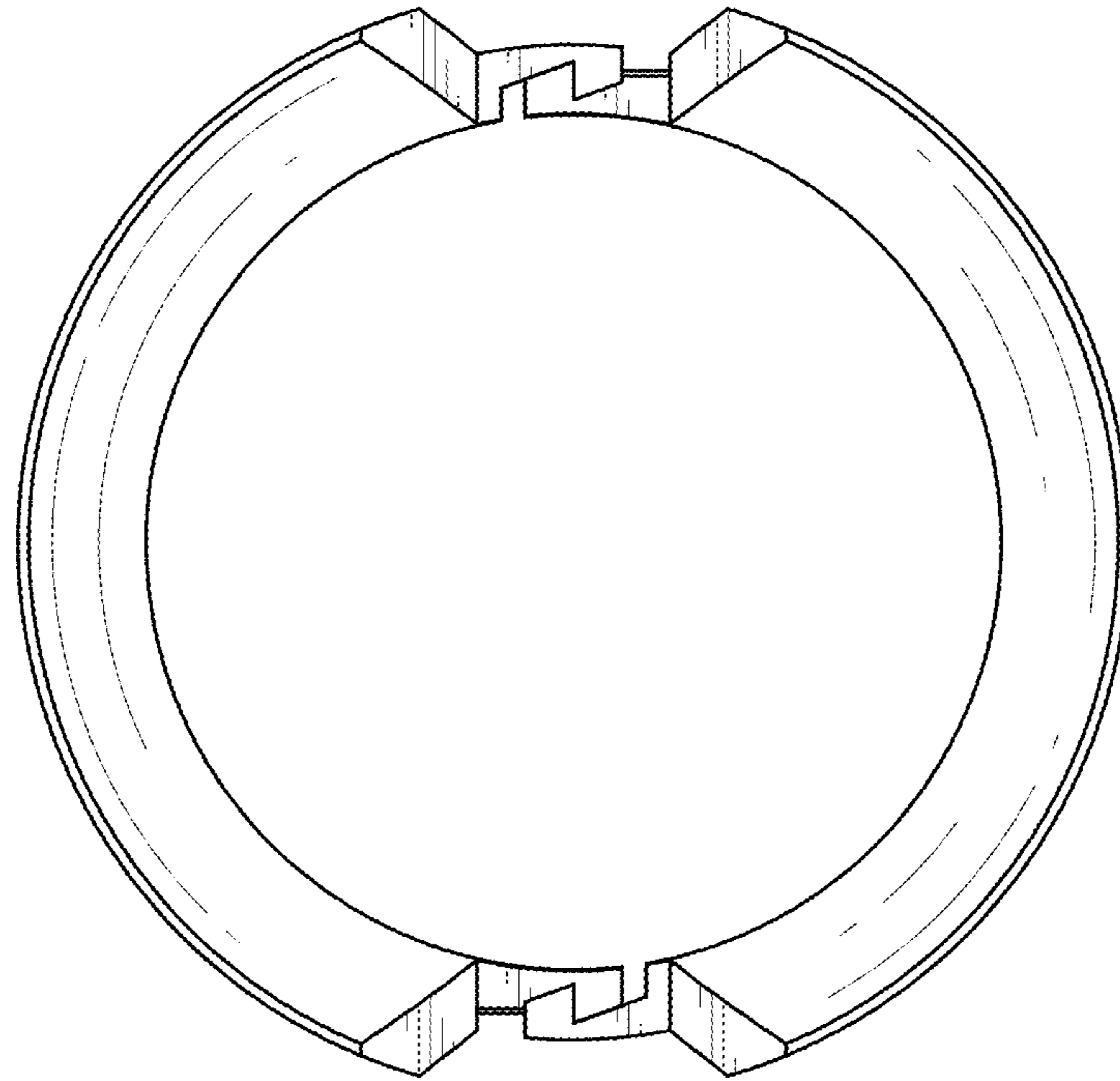


FIG. 4

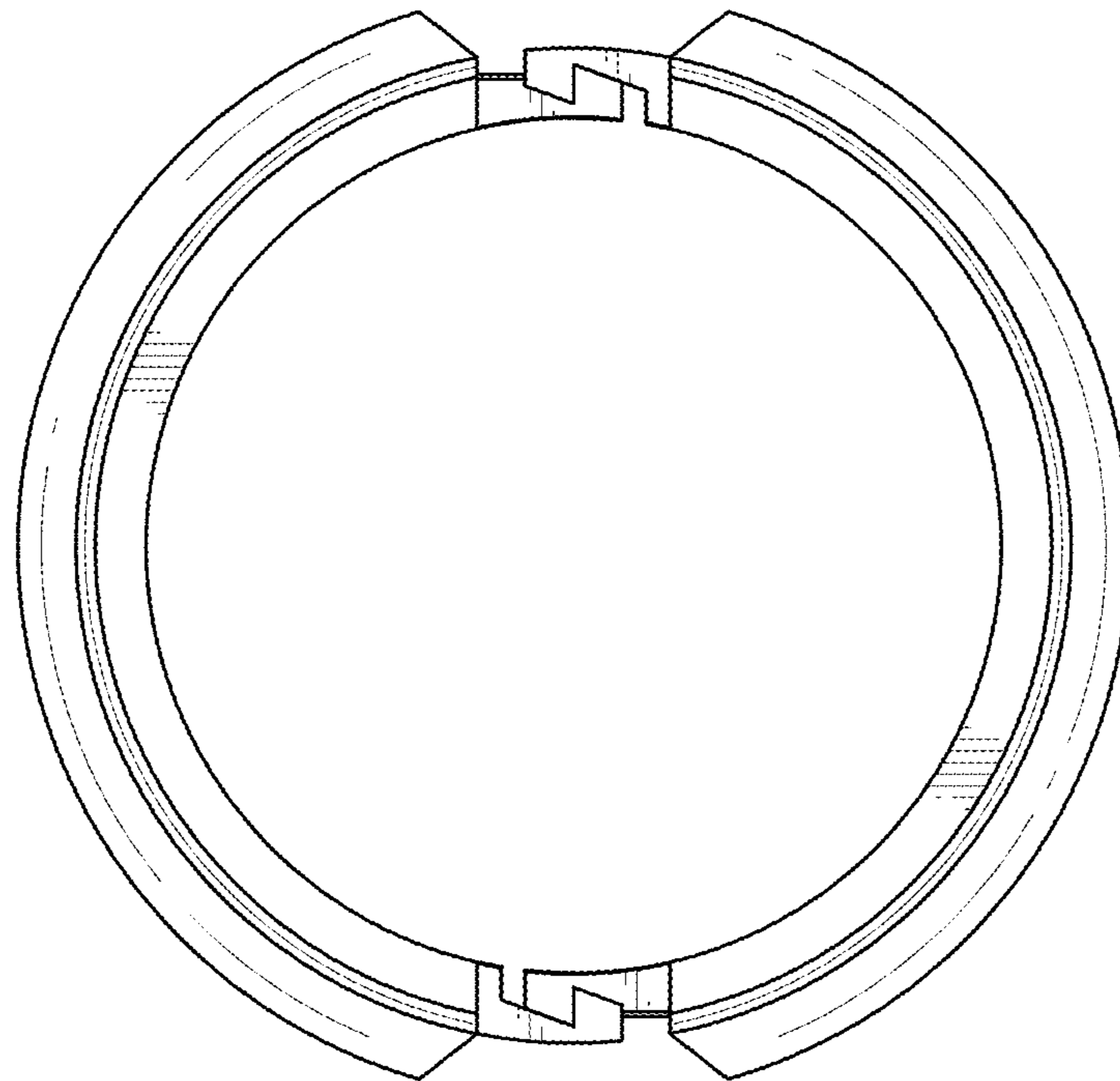


FIG. 5

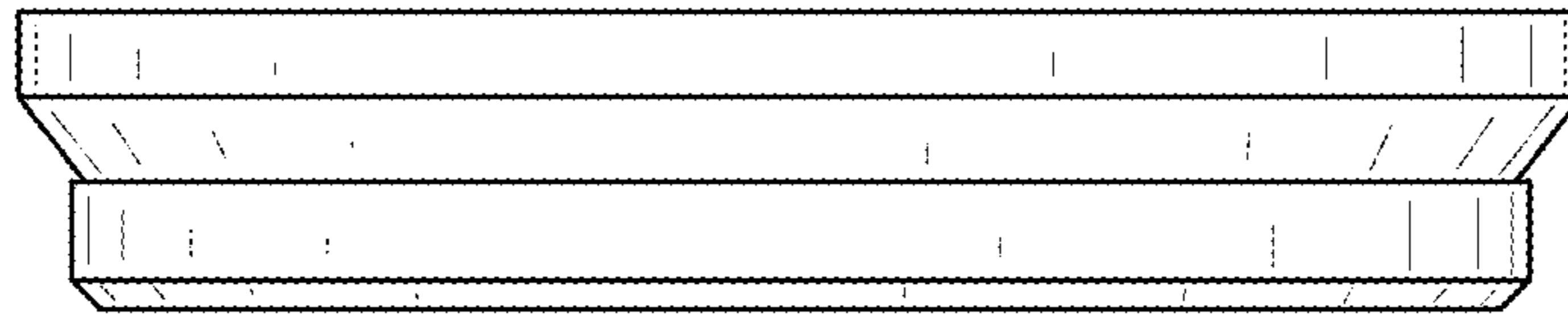


FIG. 6

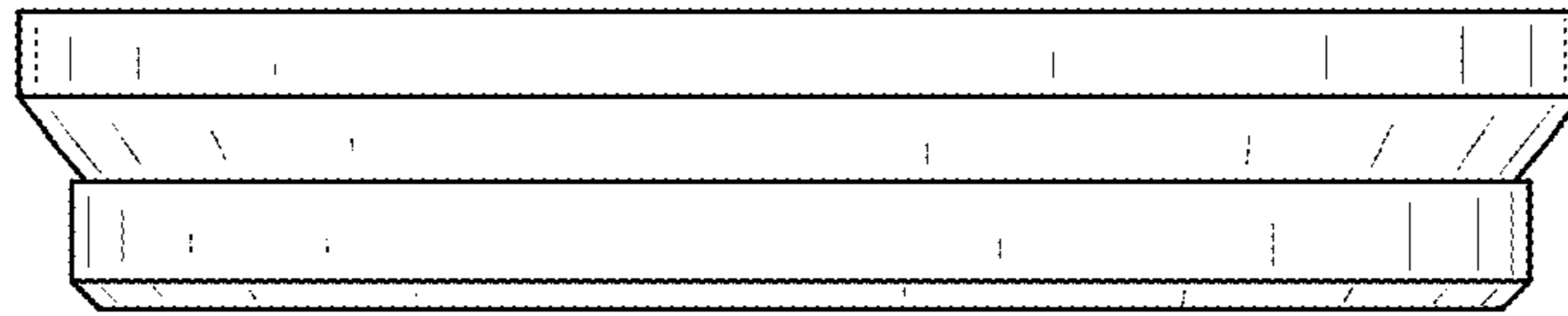


FIG. 7

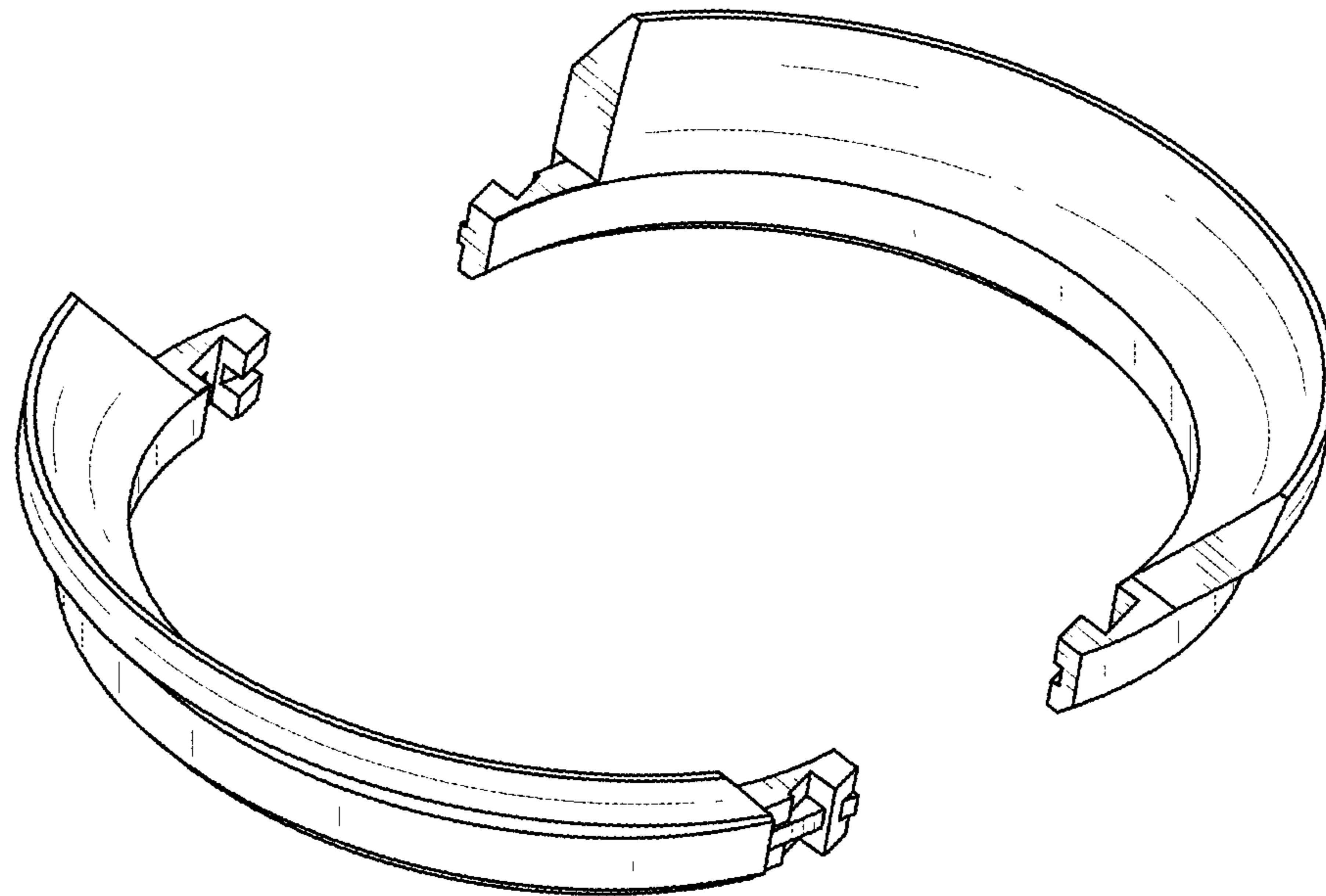


FIG. 8

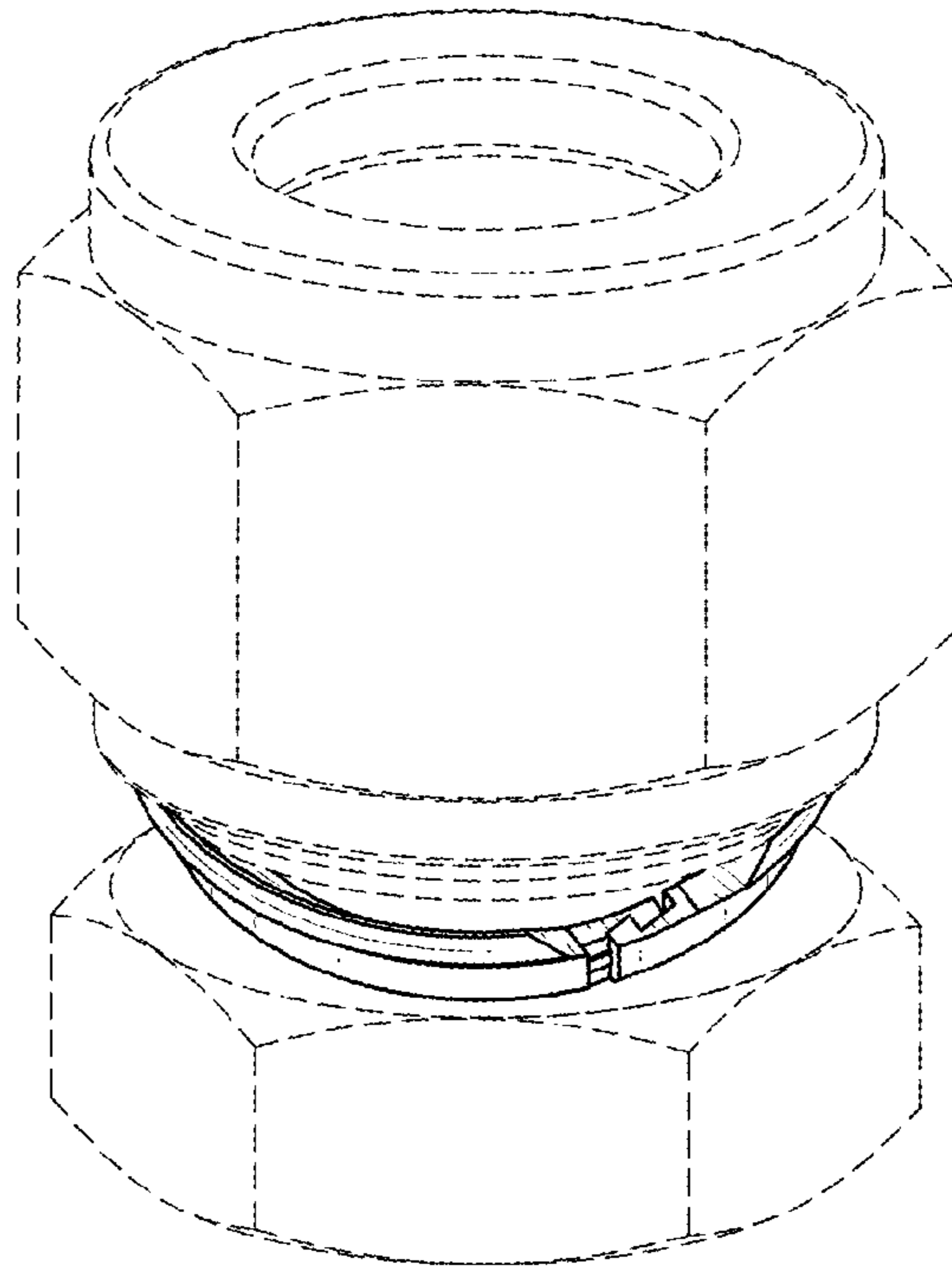


FIG. 9

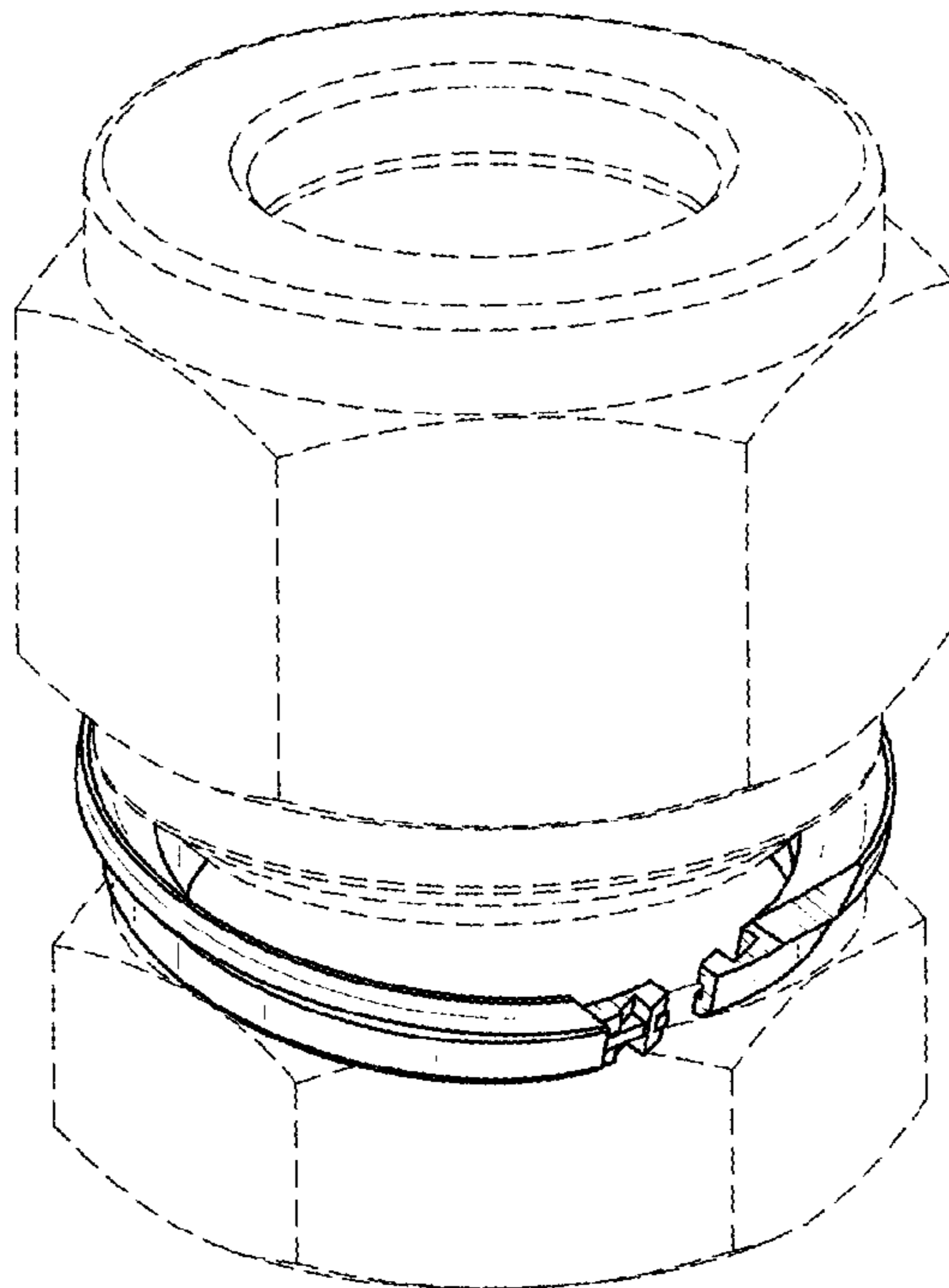


FIG. 10