



US00D741162S

(12) **United States Design Patent**  
**Leng**

(10) **Patent No.:** **US D741,162 S**  
(45) **Date of Patent:** **\*\* Oct. 20, 2015**

- (54) **FLEXIBLE CABLE CLAMP**
- (71) Applicant: **Maxdao Limited**, Taizhou, Jiangsu (CN)
- (72) Inventor: **Junhua Leng**, Jiangsu (CN)
- (73) Assignee: **MAXDAO LIMITED**, Taizhou, Jiangsu (CN)
- (\*\*) Term: **14 Years**
- (21) Appl. No.: **29/480,553**
- (22) Filed: **Jan. 27, 2014**
- (51) **LOC (10) Cl.** ..... **08-08**
- (52) **U.S. Cl.**  
USPC ..... **D8/396**
- (58) **Field of Classification Search**  
USPC ..... D8/383, 394-396, 356; D16/233  
CPC ..... F16B 7/0433; F16L 3/222; H02G 3/30;  
H01R 4/44; Y10T 403/69; Y10T 403/7141  
See application file for complete search history.

(56) **References Cited**

**U.S. PATENT DOCUMENTS**

D195,910 S *	8/1963	Olson et al. ....	D16/233
D201,106 S *	5/1965	Hansen et al. ....	D16/233
D219,074 S *	10/1970	Ainslie et al. ....	D16/230
3,733,122 A *	5/1973	Szymer .....	353/103
D230,825 S *	3/1974	Foote et al. ....	D8/396
D230,826 S *	3/1974	Menshen et al. ....	D8/396
D261,395 S *	10/1981	Brooksby et al. ....	D16/233
D277,644 S *	2/1985	Tolkko .....	D8/396

D372,666 S *	8/1996	Longstreet .....	D8/383
D424,924 S *	5/2000	Ackerman .....	D8/396
D511,144 S *	11/2005	Heary, Sr. ....	D13/154
D526,278 S *	8/2006	Heary, Sr. ....	D13/154
D577,990 S *	10/2008	Andre et al. ....	D8/395
D679,581 S *	4/2013	Liu et al. ....	D8/395
D712,243 S *	9/2014	Raines .....	D8/396
D713,713 S *	9/2014	Symons .....	D8/396
D717,159 S *	11/2014	Lindberg et al. ....	D8/396
8,904,605 B2 *	12/2014	Kawaguchi .....	24/115 G
2002/0037193 A1 *	3/2002	Gibbons et al. ....	403/344
2012/0077355 A1 *	3/2012	Borst et al. ....	439/55

\* cited by examiner

*Primary Examiner* — John Windmuller

*Assistant Examiner* — Steven Czyz

(74) *Attorney, Agent, or Firm* — Raymond Y. Chan; David and Raymond Patent Firm

(57) **CLAIM**

The ornamental design for a flexible cable clamp, as shown and described.

**DESCRIPTION**

FIG. 1 is a top perspective view of a flexible cable clamp showing my new design;

FIG. 2 is a front view thereof.

FIG. 3 is a rear view thereof.

FIG. 4 is a left view thereof.

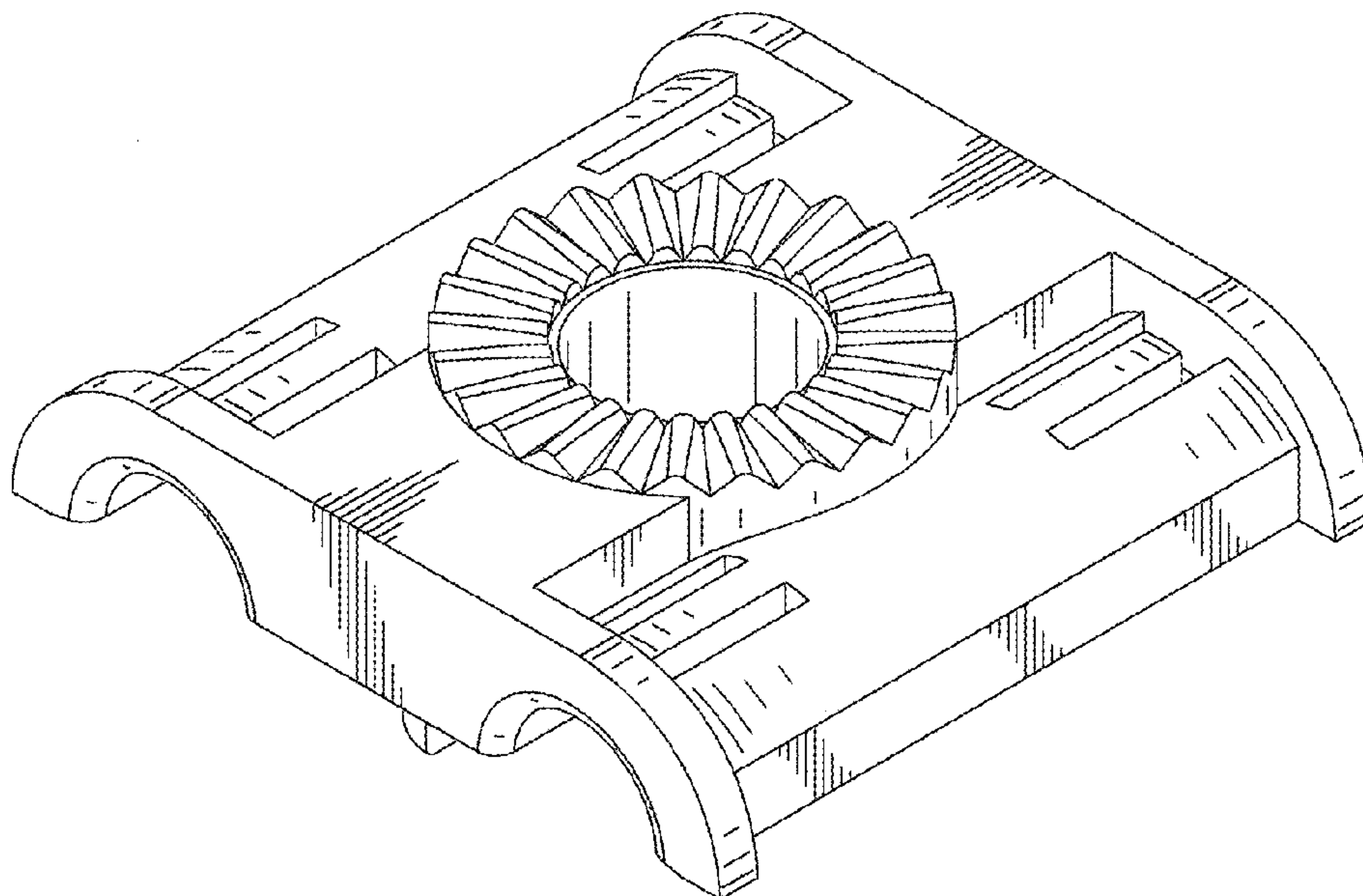
FIG. 5 is a right view thereof.

FIG. 6 is a top view thereof.

FIG. 7 is a bottom view thereof; and,

FIG. 8 is a bottom perspective view thereof.

**1 Claim, 8 Drawing Sheets**



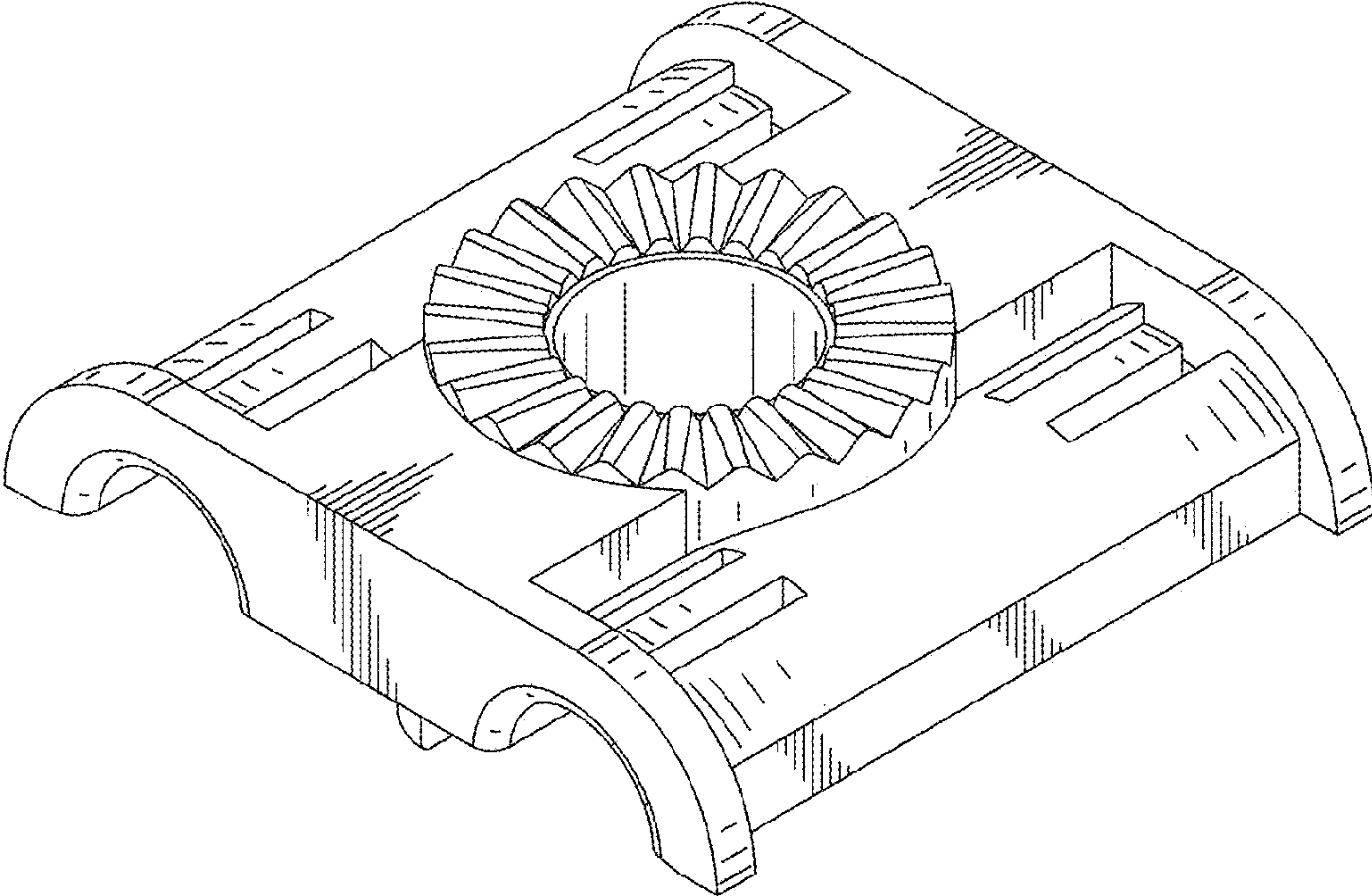


FIG.1

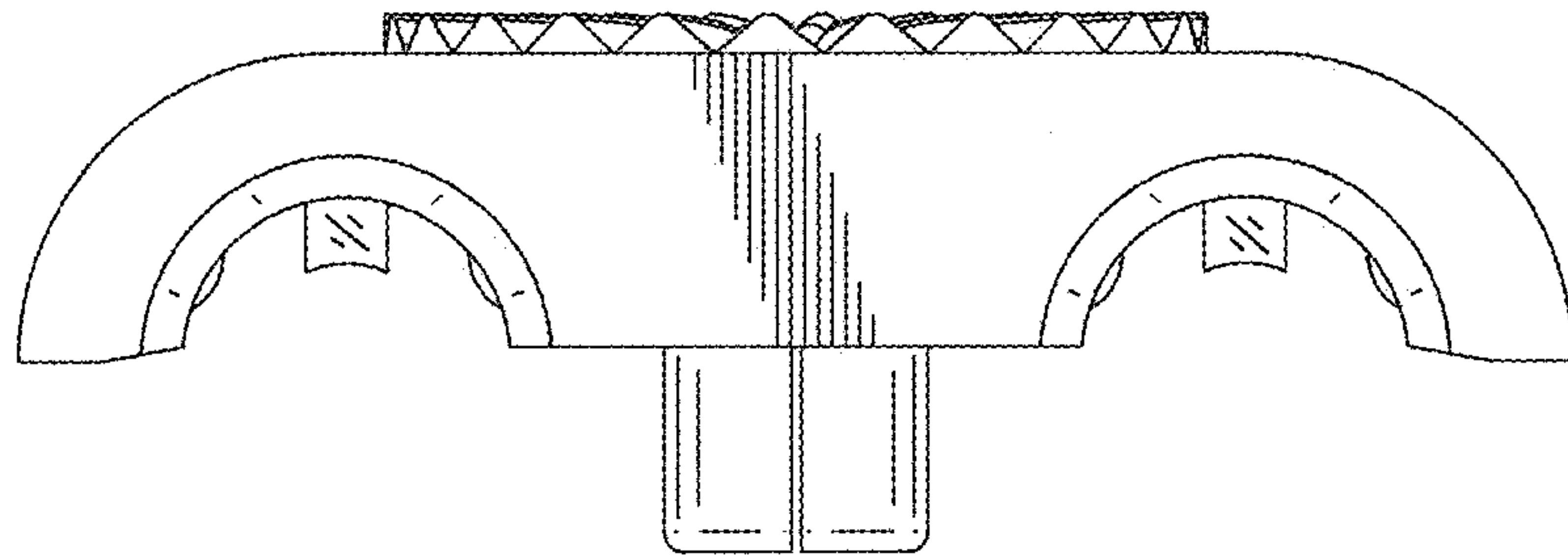


FIG.2

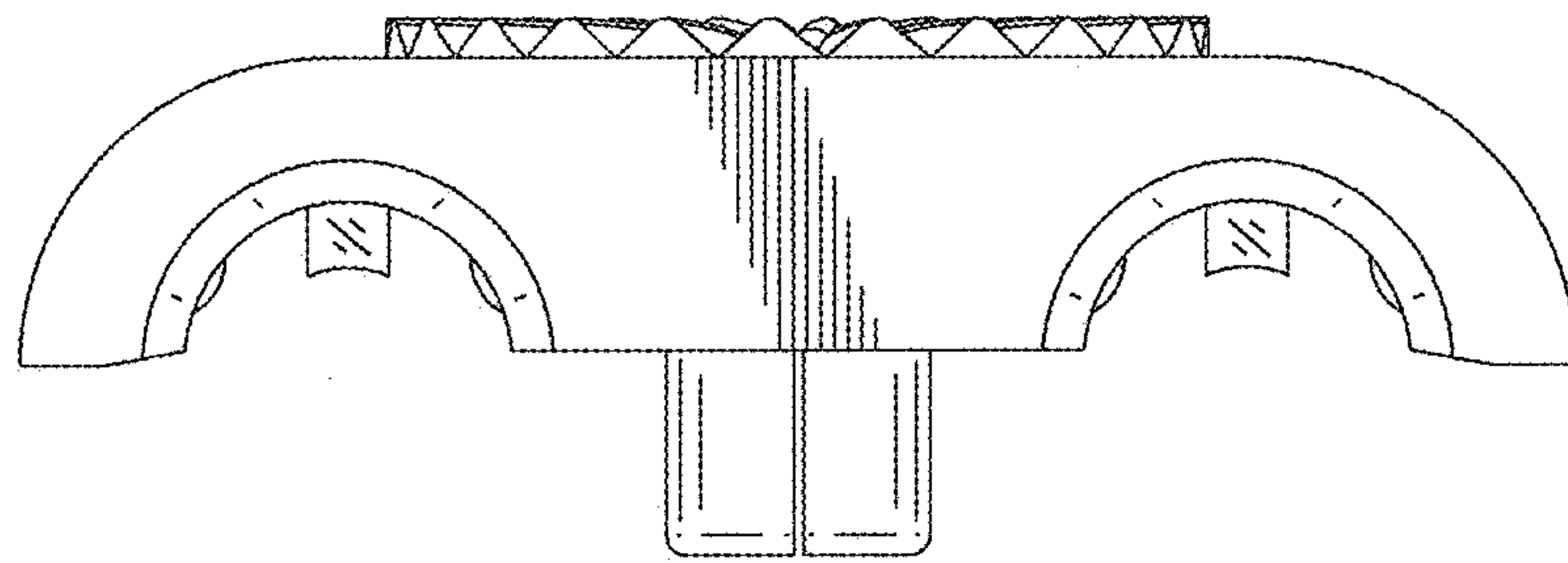


FIG.3

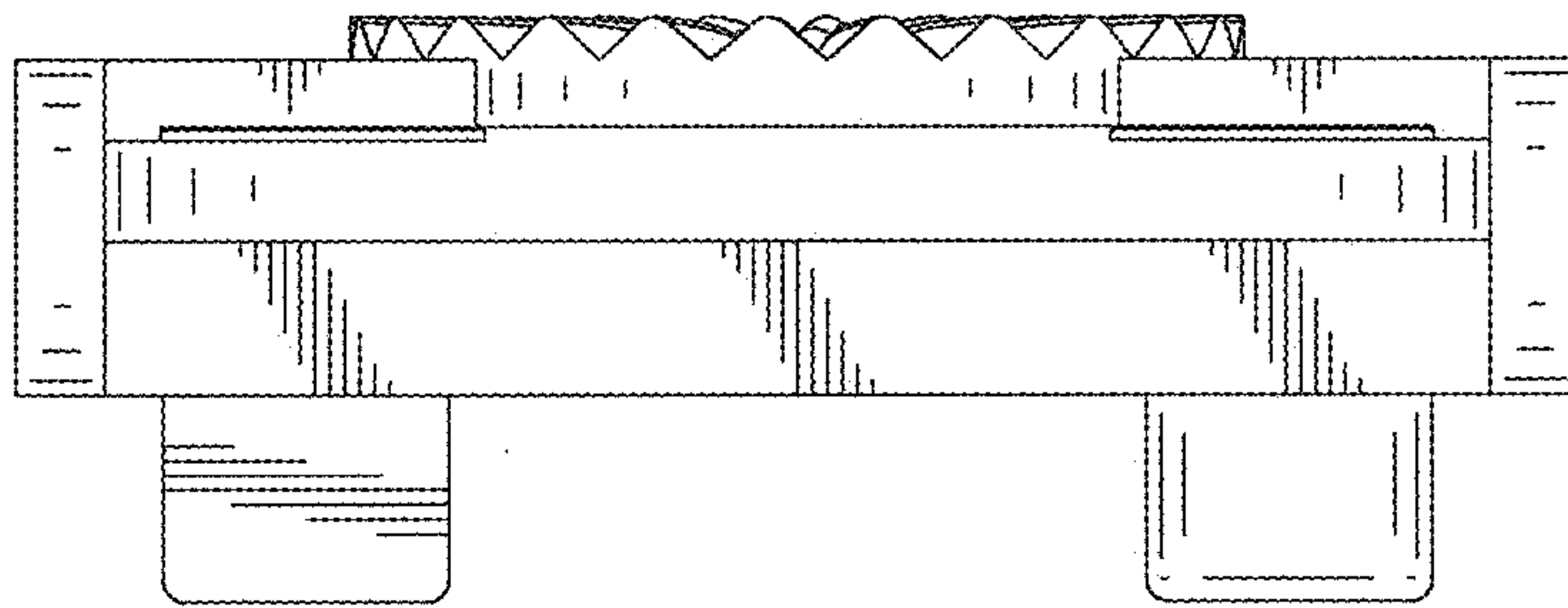


FIG.4

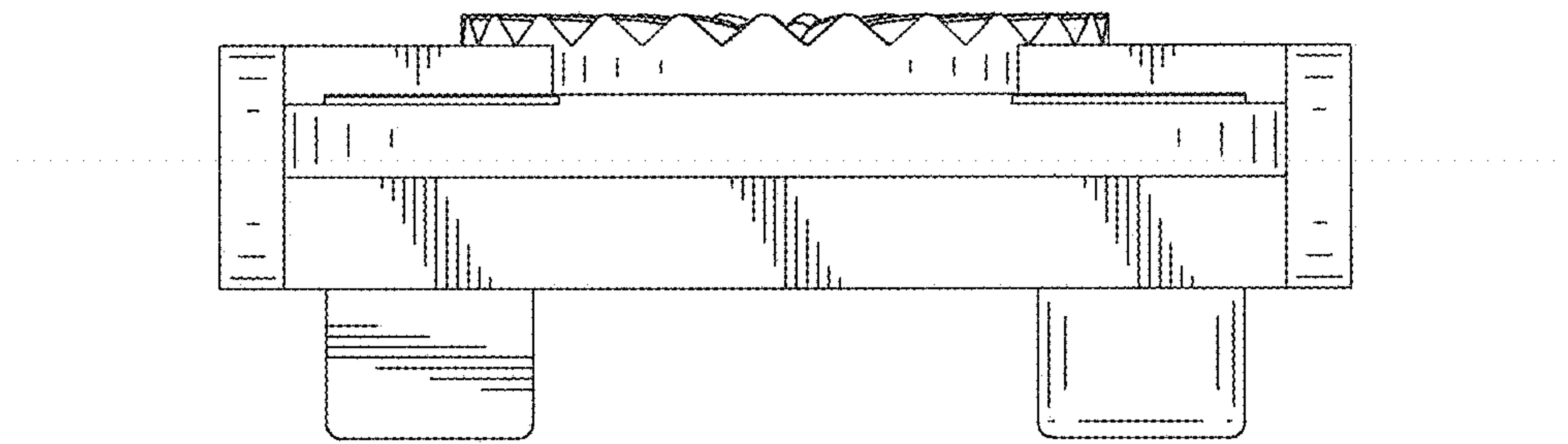


FIG.5

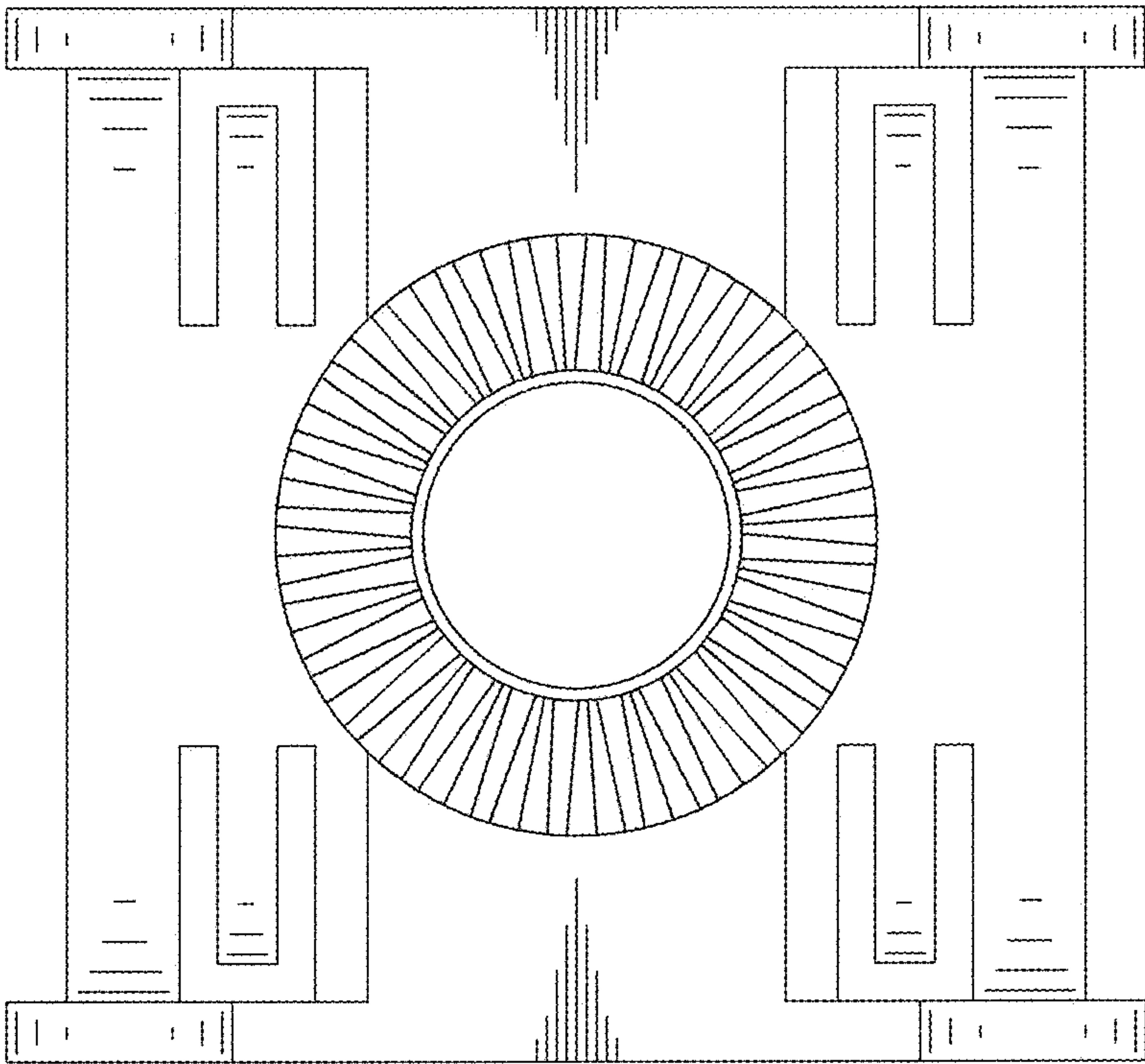


FIG.6



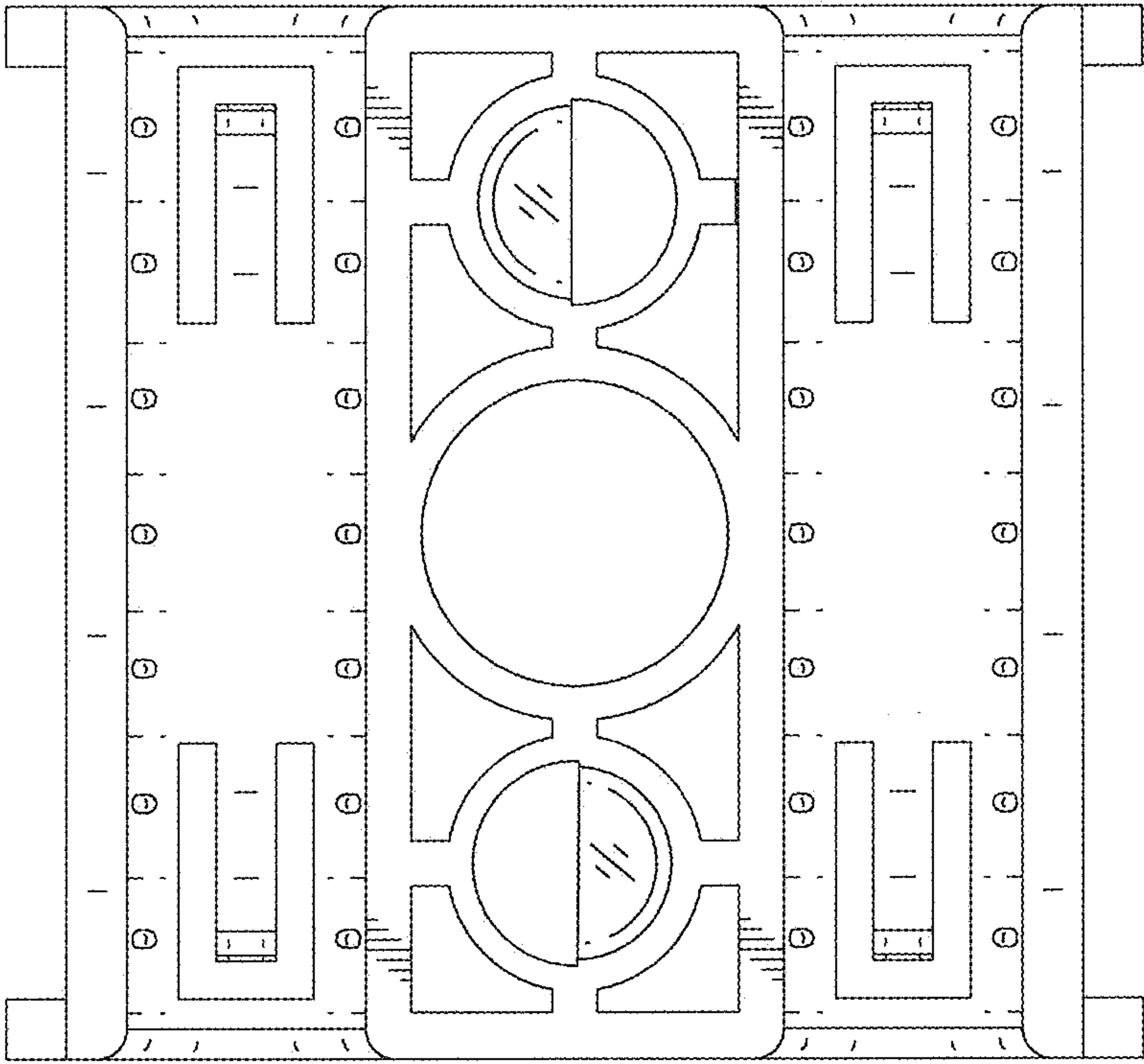


FIG.7



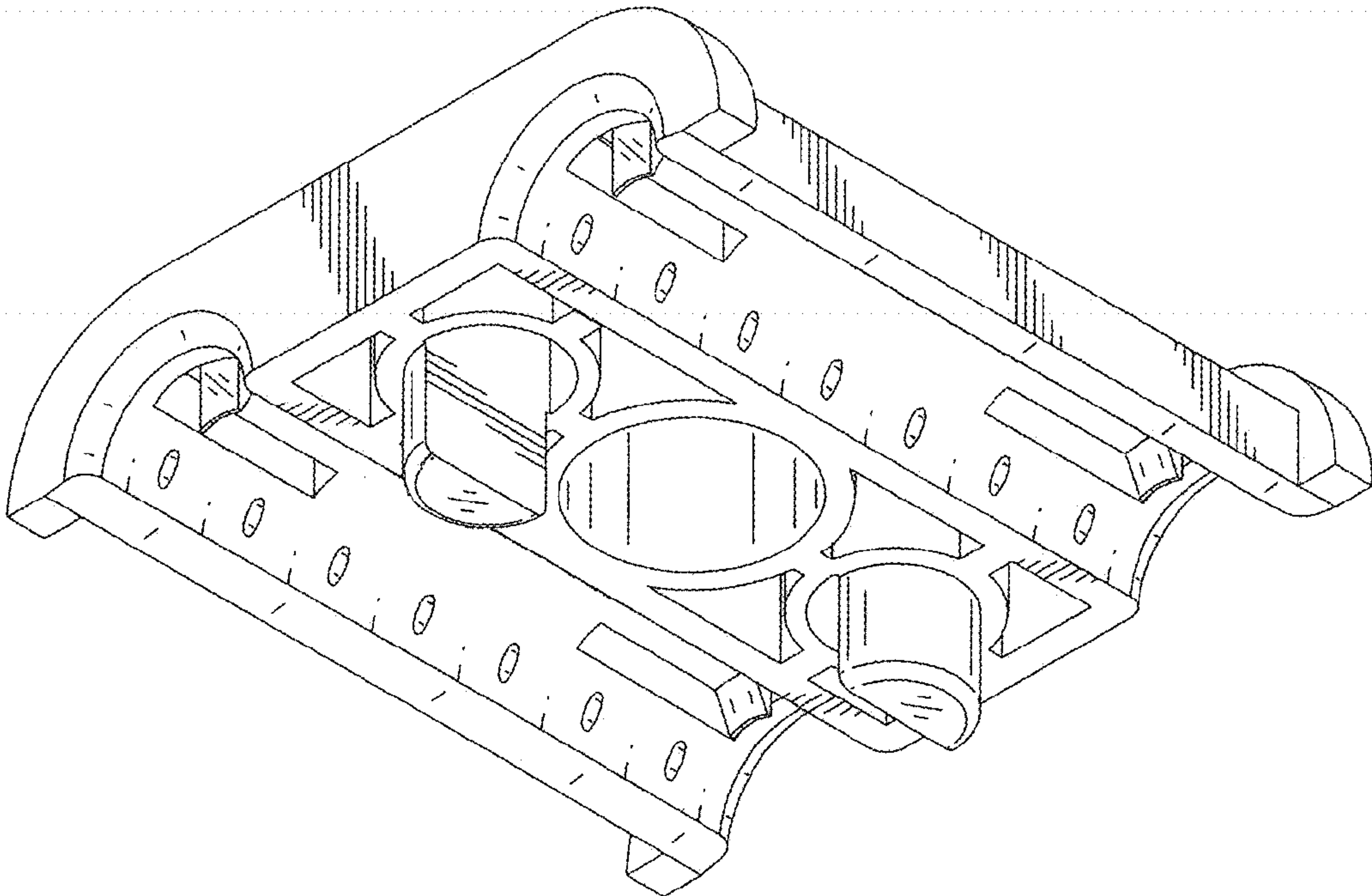


FIG.8