



US00D741161S

(12) **United States Design Patent**
Buresh, II et al.

(10) **Patent No.:** **US D741,161 S**
(45) **Date of Patent:** **** Oct. 20, 2015**

(54) **CLIP FOR A PATIENT MONITORING POD**

(75) Inventors: **William T. Buresh, II**, Salem, NH (US);
Stanley Thompson, New Boston, NH
(US); **Timothy Joseph Coonahan**,
Sterling, MA (US); **Rajesh Rane**,
Cambridge, MA (US)

(73) Assignee: **Draeger Medical Systems, Inc.**,
Andover, MA (US)

(**) Term: **14 Years**

(21) Appl. No.: **29/427,118**

(22) Filed: **Jul. 13, 2012**

(51) **LOC (10) Cl.** **08-08**

(52) **U.S. Cl.**

USPC **D8/395**

(58) **Field of Classification Search**

USPC D8/395, 394; 224/669, 271, 197, 269,
224/666, 670, 272, 224; D14/223

See application file for complete search history.

(56) **References Cited**

U.S. PATENT DOCUMENTS

D286,014 S * 10/1986 Davis D8/395
5,730,348 A * 3/1998 Tien 224/669
6,283,348 B1 * 9/2001 Wang 224/271

6,955,279 B1 * 10/2005 Mudd et al. 224/197
7,032,791 B2 * 4/2006 Stotts 224/269
D559,232 S * 1/2008 Ku et al. D14/223
D614,945 S * 5/2010 Chiu D8/395
7,980,435 B2 * 7/2011 Tages 224/269
2003/0000976 A1 * 1/2003 Malhotra 224/197

* cited by examiner

Primary Examiner — Ian Simmons

Assistant Examiner — Harold Blackwell, II

(74) *Attorney, Agent, or Firm* — Mintz Levin Cohn Ferris
Glovsky and Popeo, P.C.

(57) **CLAIM**

The ornamental design for a clip for a patient monitoring pod,
as shown and described.

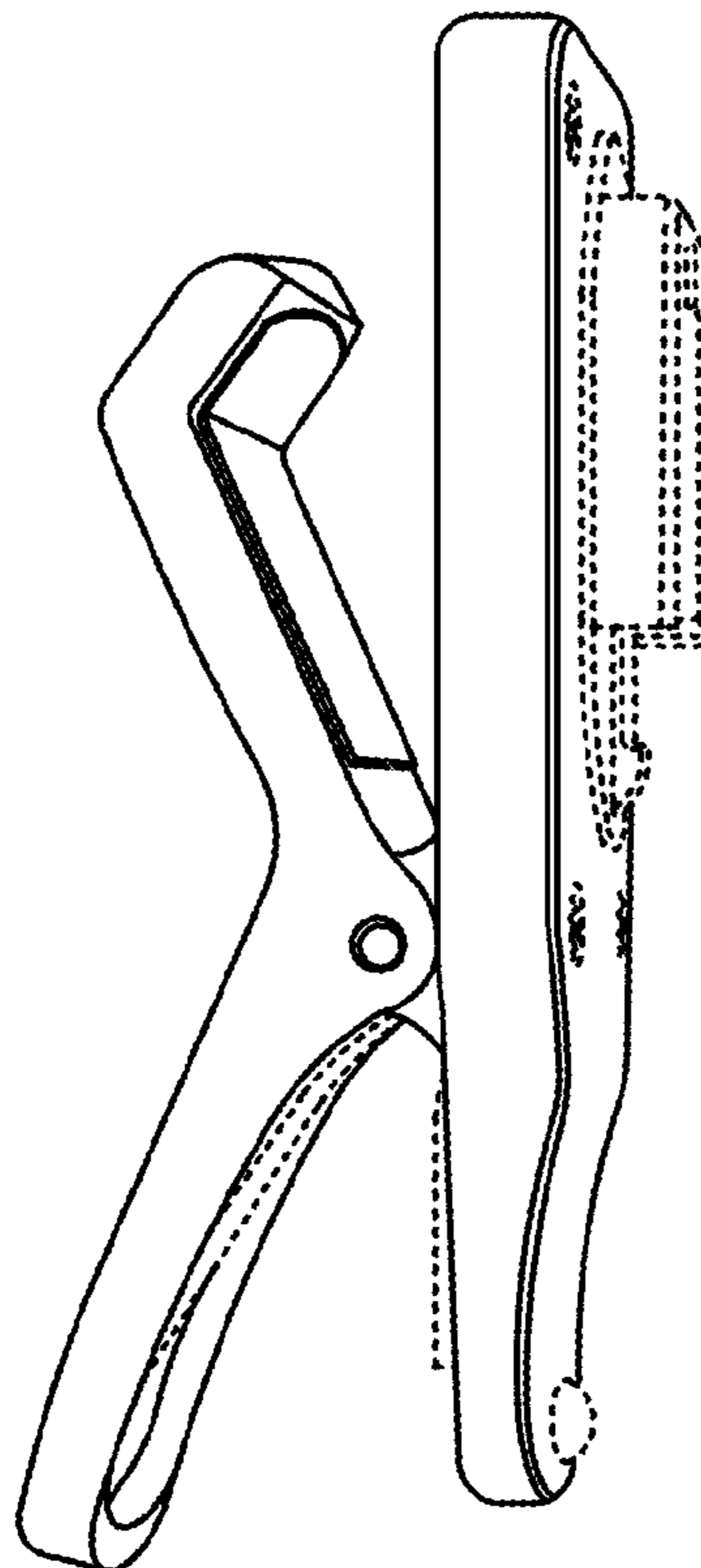
DESCRIPTION

FIG. 1 is a right perspective view of a clip for a patient
monitoring pod, showing the new design;

FIG. 2 is a front perspective of the embodiment of FIG. 1; and,
FIG. 3 is a left perspective view of FIG. 2.

The broken lines in the drawings illustrate portions of the clip
for a patient monitoring pod which form no part of the
claimed design.

1 Claim, 3 Drawing Sheets



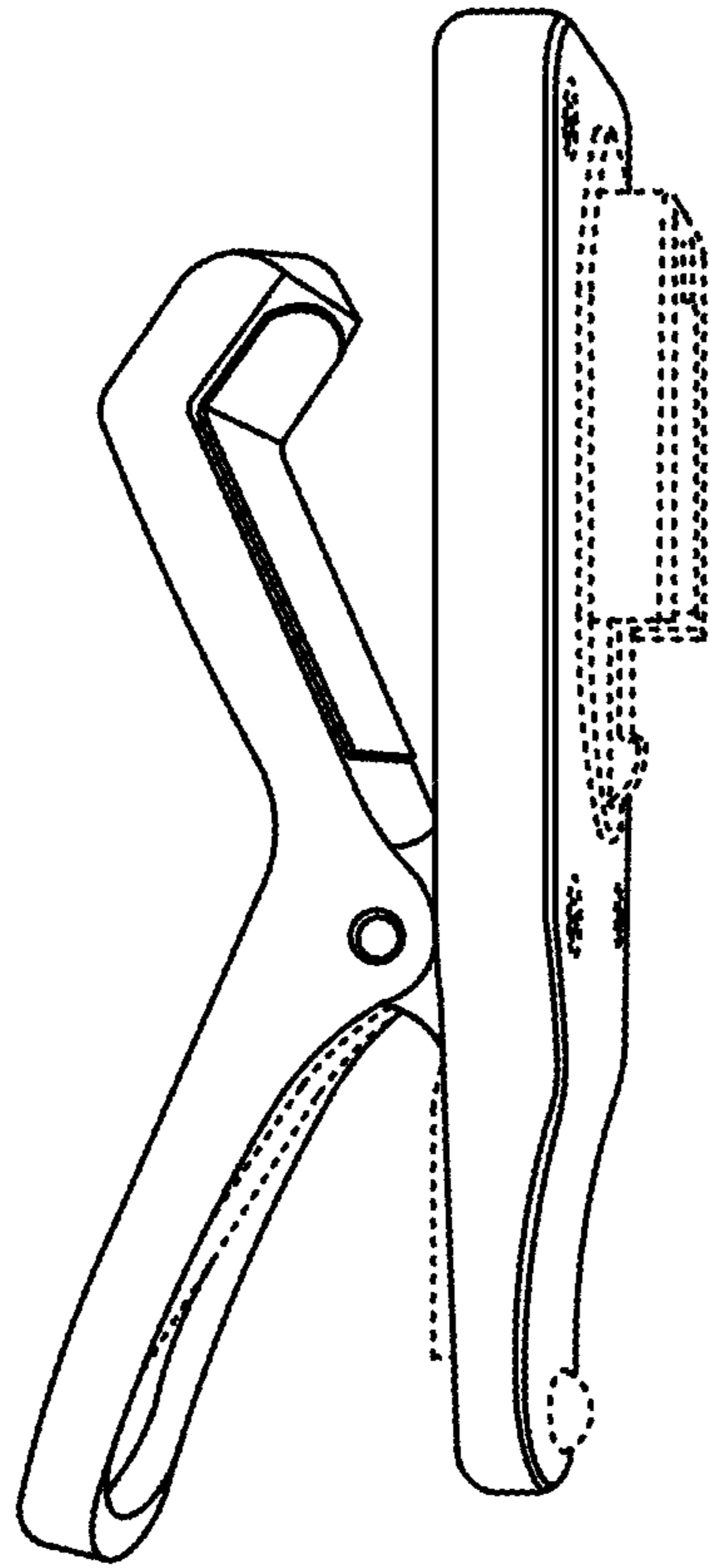


FIG. 1

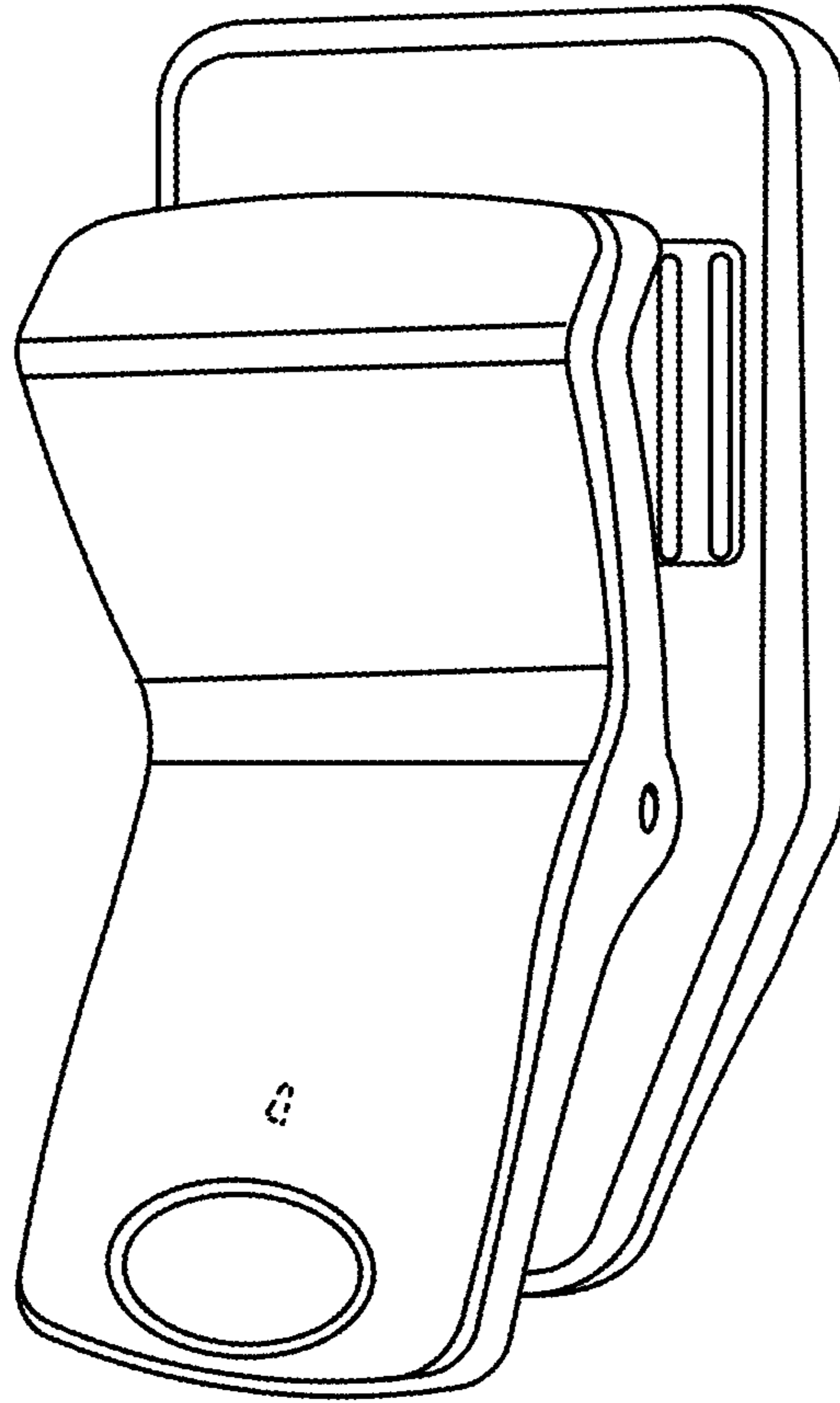


FIG. 2

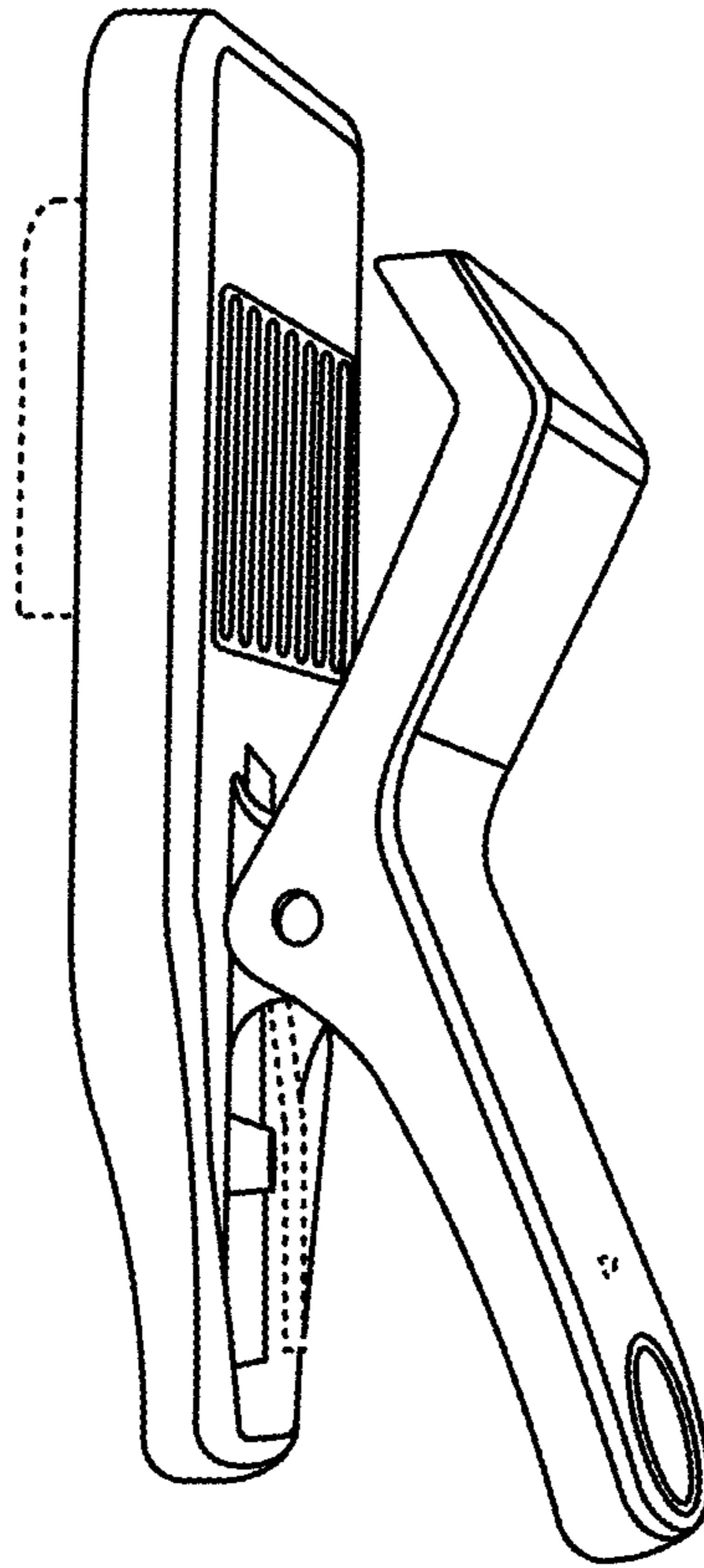


FIG. 3