



US00D741158S

(12) **United States Design Patent**
Hasegawa

(10) **Patent No.:** **US D741,158 S**
(45) **Date of Patent:** **** Oct. 20, 2015**

(54) **LOCK BOLT**

(71) Applicant: **Lock'n Bolt Corporation**, Yokohama (JP)

(72) Inventor: **Kenji Hasegawa**, Yokohama (JP)

(73) Assignee: **Lock'n Bolt Corporation**, Yokohama (JP)

(**) Term: **14 Years**

(21) Appl. No.: **29/481,962**

(22) Filed: **Feb. 12, 2014**

(51) **LOC (10) Cl.** **08-08**

(52) **U.S. Cl.**
USPC **D8/387**

(58) **Field of Classification Search**
USPC D8/349, 382, 387, 499
CPC F16B 37/00; F16B 23/00; F16B 23/0007;
F16B 23/0076; F16B 33/00; F16B 33/002;
F16B 33/02; F16B 39/00; F16B 35/00;
F16B 35/005; F16B 35/06; F16B 23/0069;
F16B 39/02; F16B 23/0046; F16B 23/0053;
B25B 13/485; B25B 15/007; Y10S 411/919;
Y10S 411/91

See application file for complete search history.

(56) **References Cited**

U.S. PATENT DOCUMENTS

| | | | | |
|-----------|-----|---------|-------------------|---------|
| 1,312,409 | A * | 8/1919 | Miller | 411/399 |
| 1,506,500 | A * | 8/1924 | Ripamonti et al. | 411/403 |
| 1,894,034 | A * | 1/1933 | Fieg | 411/410 |
| 1,956,963 | A * | 5/1934 | Salmen, Jr. | 411/405 |
| 3,253,625 | A * | 5/1966 | Oestereicher | 81/436 |
| 3,313,198 | A * | 4/1967 | Walton | 411/402 |
| 3,673,912 | A * | 7/1972 | Herr | 411/403 |
| D229,481 | S * | 12/1973 | O'Donnell | D8/387 |
| 4,429,599 | A * | 2/1984 | La Sante, Sr. | 81/436 |
| 5,647,712 | A * | 7/1997 | Demirdogen et al. | 411/404 |
| D413,254 | S * | 8/1999 | Lee | D8/387 |

| | | | | |
|-----------|------|--------|---------|---------|
| D524,638 | S * | 7/2006 | Berhow | D8/387 |
| 7,097,404 | B2 * | 8/2006 | Avganim | 411/403 |
| D543,446 | S * | 5/2007 | DiNenna | D8/387 |

(Continued)

FOREIGN PATENT DOCUMENTS

| | | | | |
|----|---------------|------|---------|--------------|
| DE | 3807741 | A1 * | 9/1989 | F16B 23/0007 |
| DE | 4441636 | A1 * | 3/1996 | F16B 41/00 |
| DE | 102013106404 | A1 * | 12/2013 | F16B 23/0076 |
| WO | WO 2004080657 | A2 * | 9/2004 | F16B 23/0069 |

OTHER PUBLICATIONS

Lock'n Bolt s-2, Image post date Unknown, site visted on Apr. 30, 2015 (online), <http://www.navida.ne.jp/snavi/5131_2.html>.*

(Continued)

Primary Examiner — Sheryl Lane

Assistant Examiner — Ieisha Price

(74) *Attorney, Agent, or Firm* — Westerman, Hattori, Daniels & Adrian, LLP

(57) **CLAIM**

The ornamental design for a lock bolt, as shown and described.

DESCRIPTION

FIG. 1 is a front elevational view of a lock bolt, showing my new design;

FIG. 2 is a rear elevational view thereof;

FIG. 3 is a left side elevational view thereof;

FIG. 4 is a right side elevational view thereof;

FIG. 5 is a top plan view thereof;

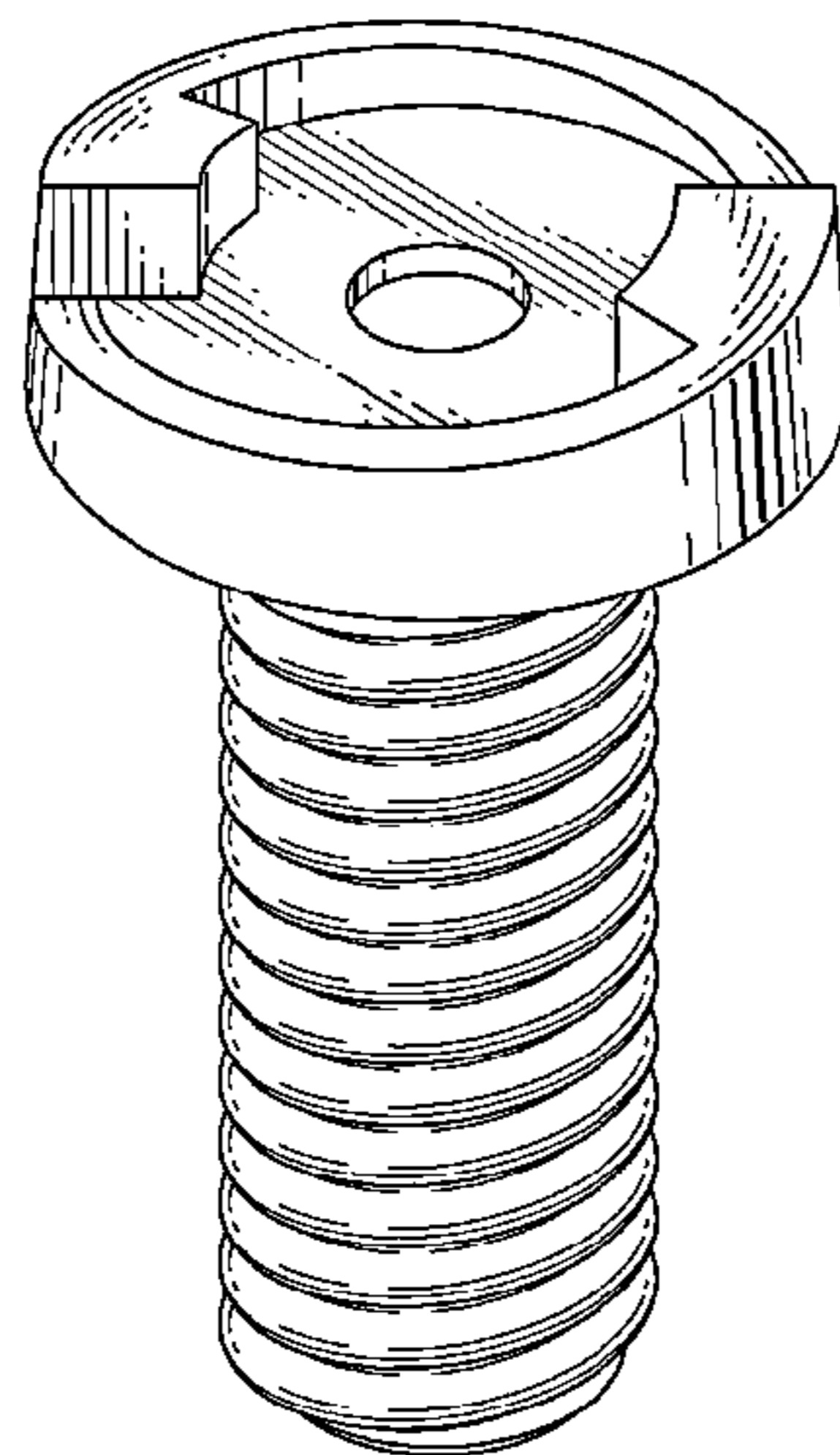
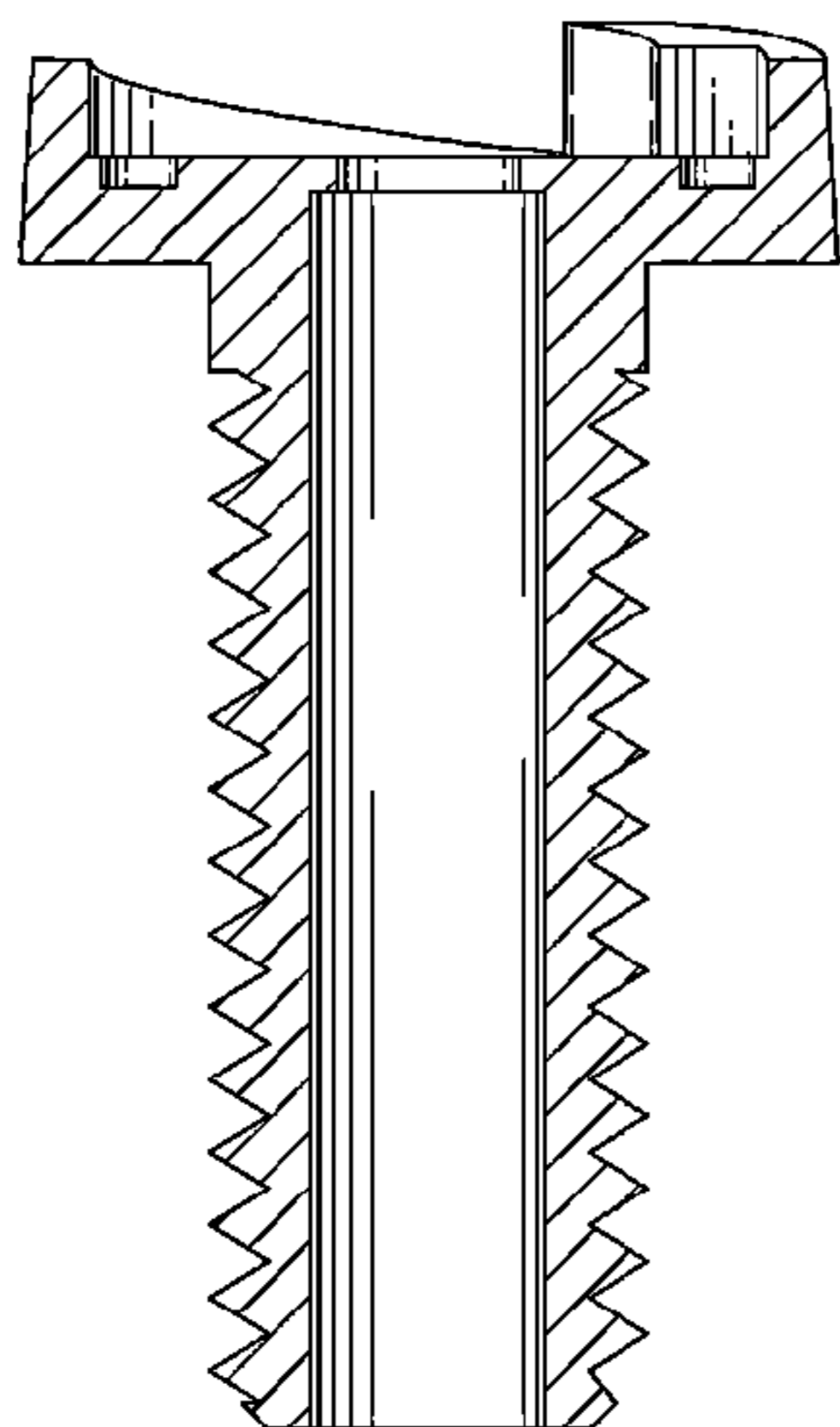
FIG. 6 is a bottom plan view thereof;

FIG. 7 is a cross-sectional view thereof, taken along line 7-7 of FIG. 1;

FIG. 8 is a cross-sectional view thereof, taken along line 8-8 of FIG. 1; and,

FIG. 9 is a perspective view thereof.

1 Claim, 5 Drawing Sheets



(56)

References Cited

U.S. PATENT DOCUMENTS

8,690,504 B2 * 4/2014 Huss et al. 411/1
D704,039 S * 5/2014 Bugeja D8/387
2008/0240884 A1 * 10/2008 Dahners 411/190
2011/0314975 A1 * 12/2011 Steinert 81/442
2012/0312130 A1 * 12/2012 Bauer 81/461
2013/0129447 A1 * 5/2013 Canizares et al. 411/407

2014/0140758 A1 * 5/2014 Liu et al. 403/299

OTHER PUBLICATIONS

Lock'n Bolt, Image post date Unknown, site visted on Apr. 30, 2015
(online), <http://www.navida.ne.jp/snavi/newimg/5131_2/img3_b.jpg>.*

* cited by examiner

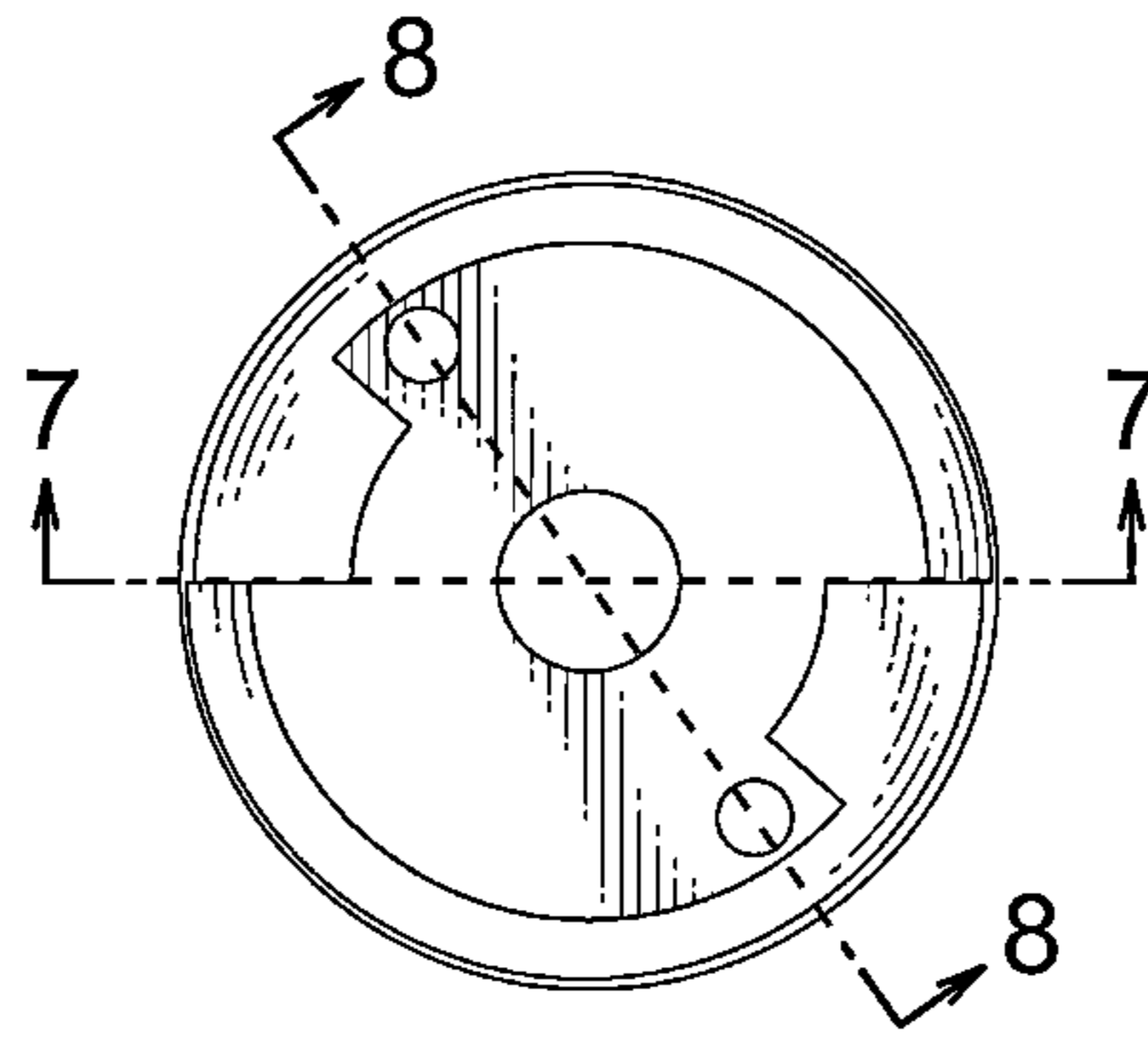


Fig. 1

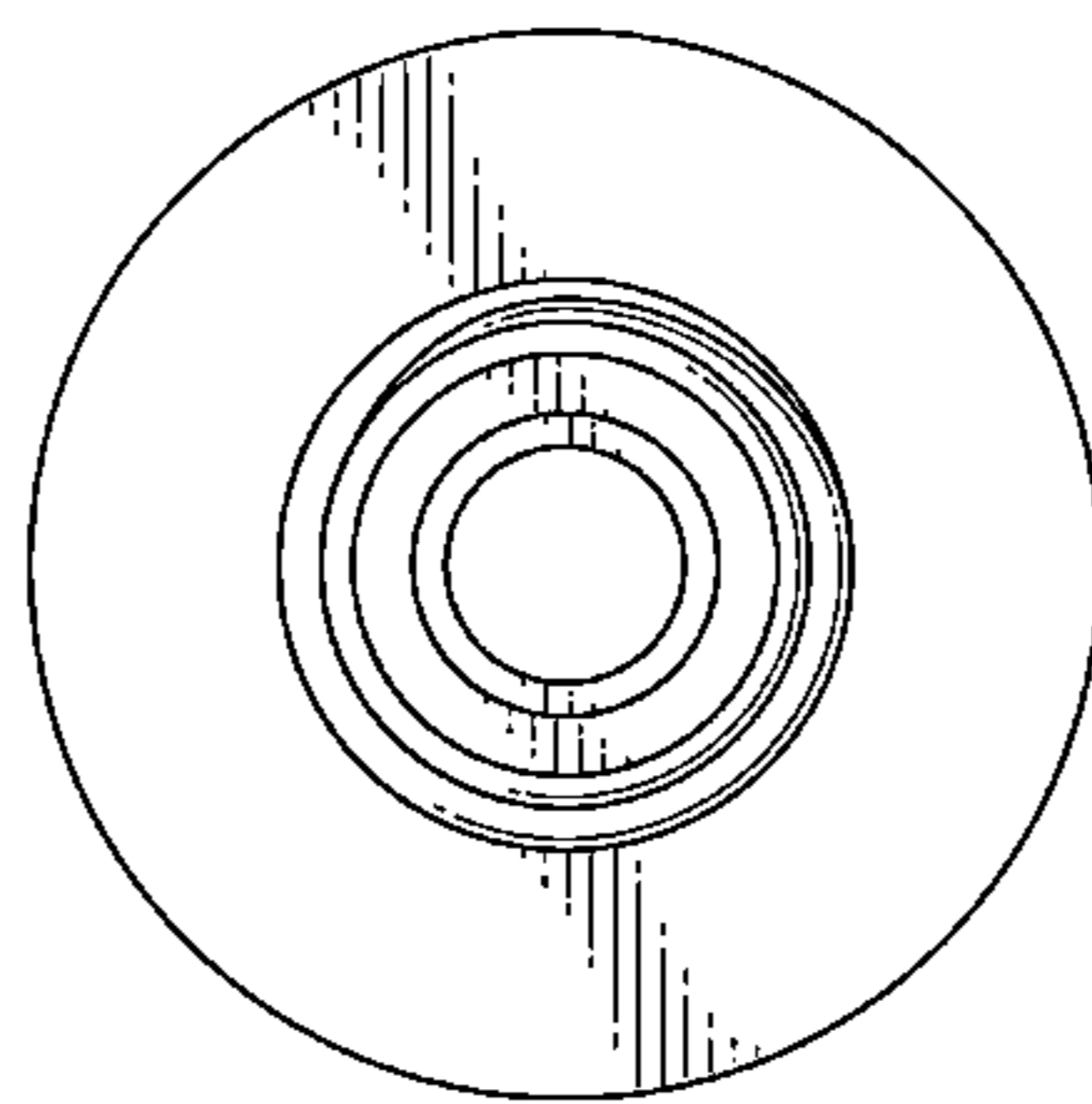


Fig. 2

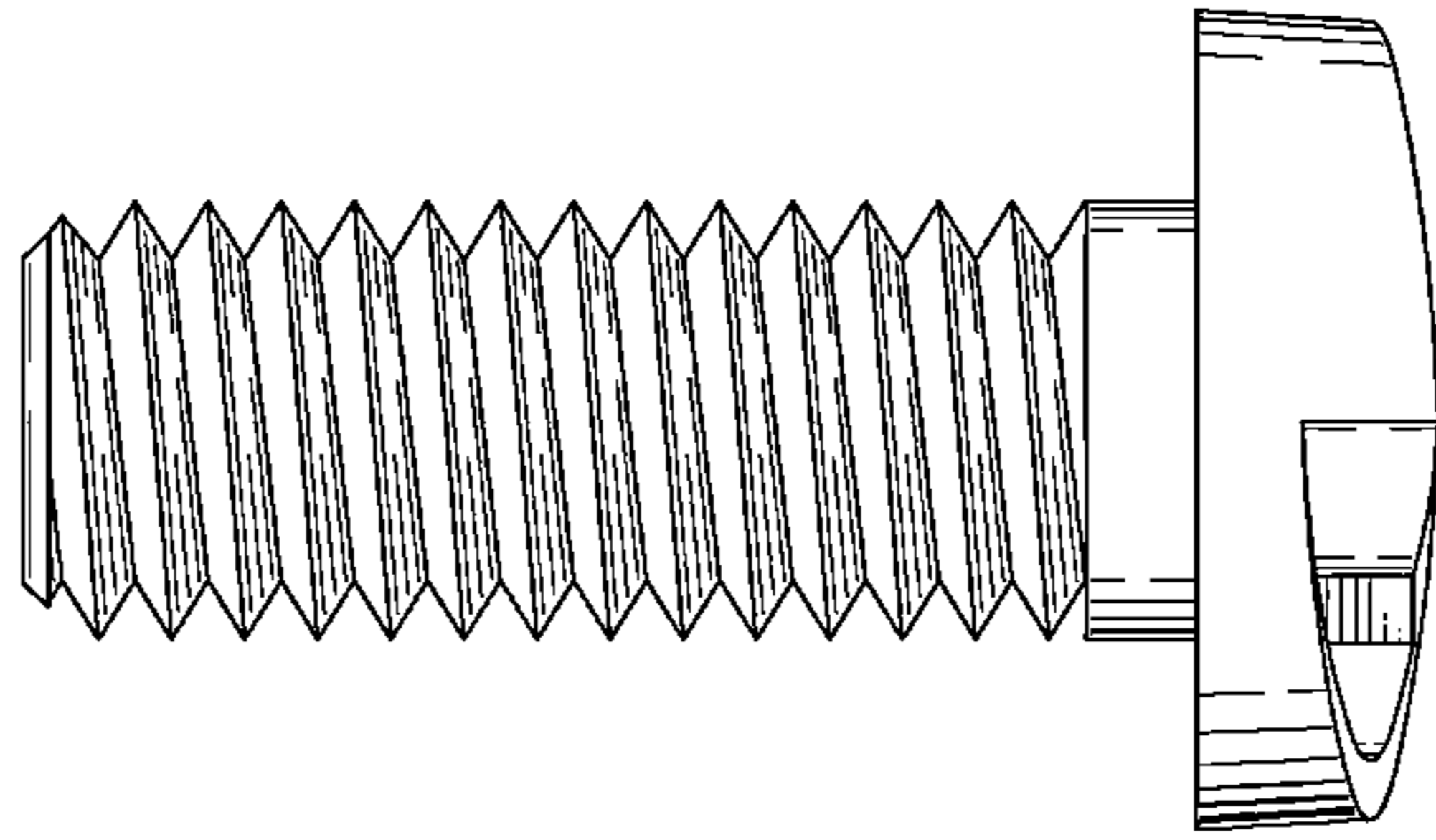


Fig. 3

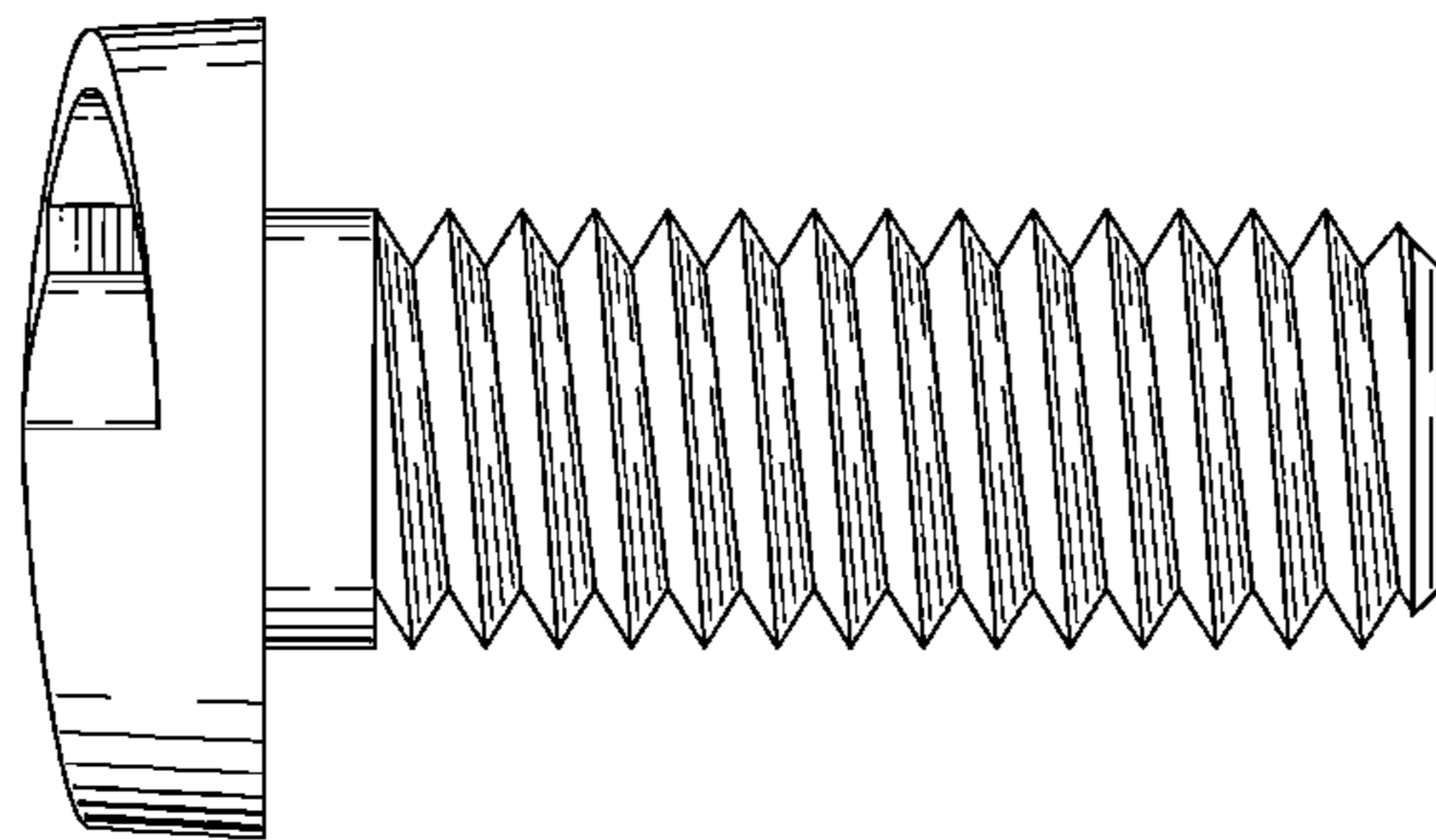


Fig. 4

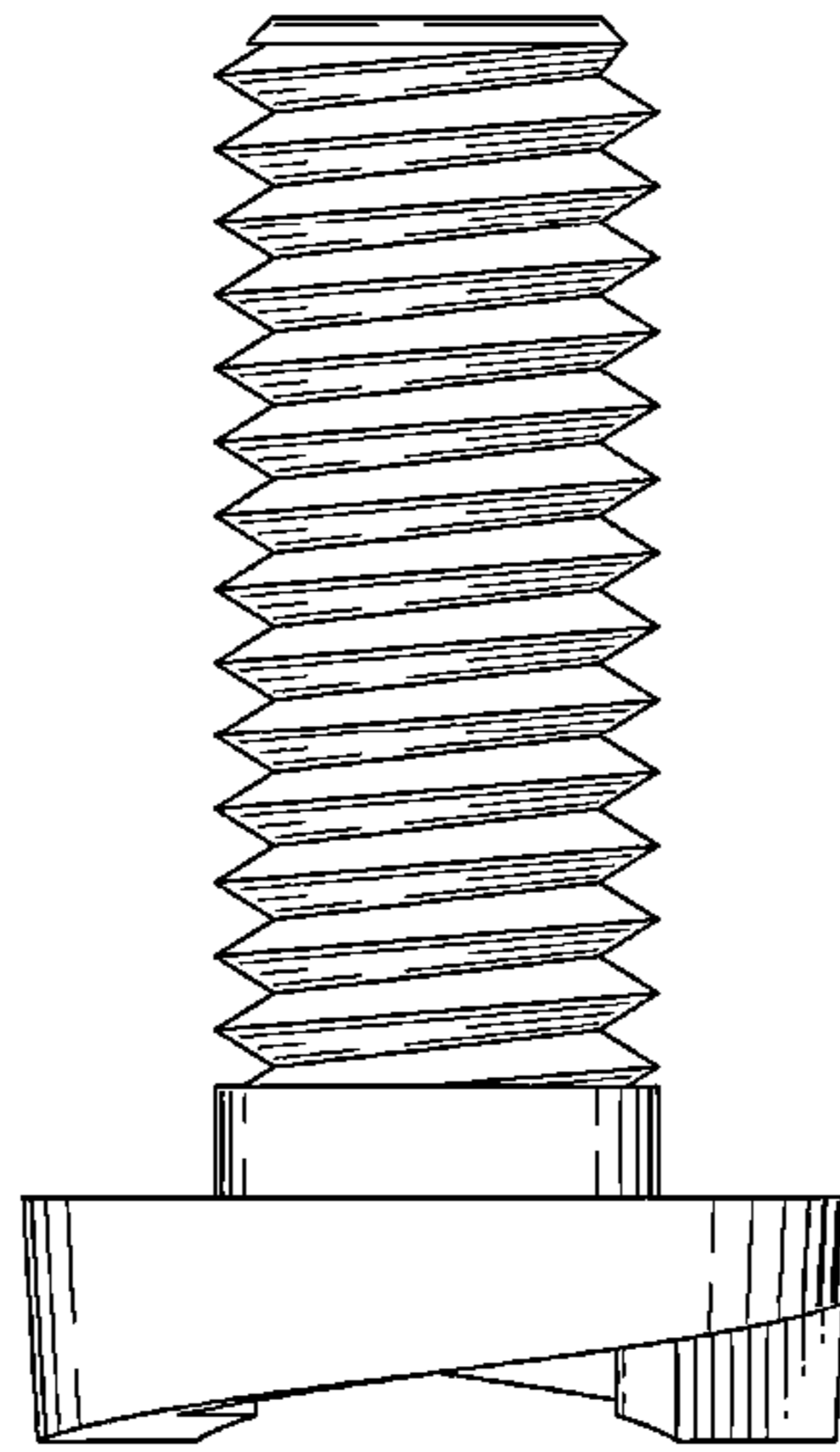


Fig. 5

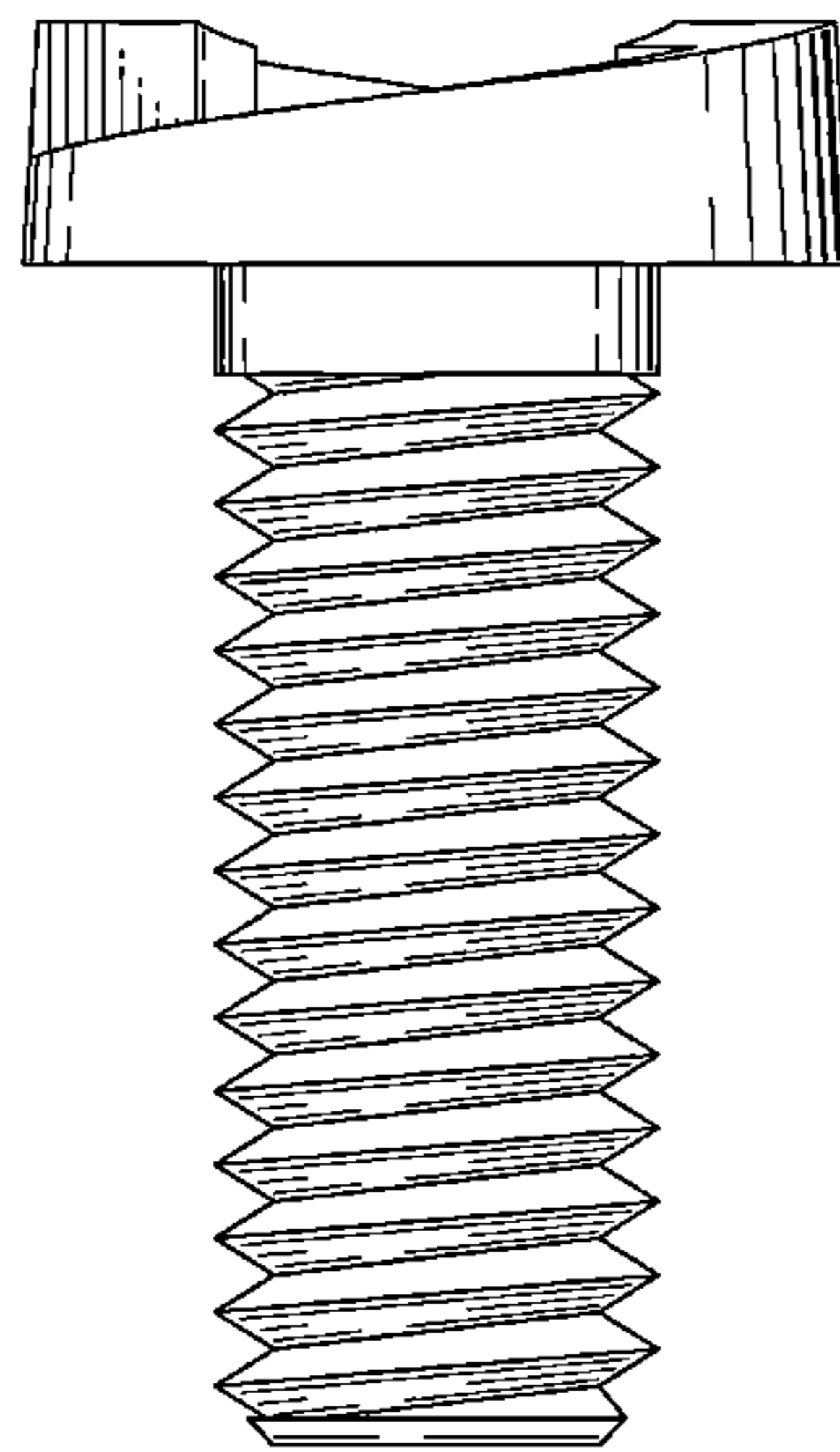


Fig. 6

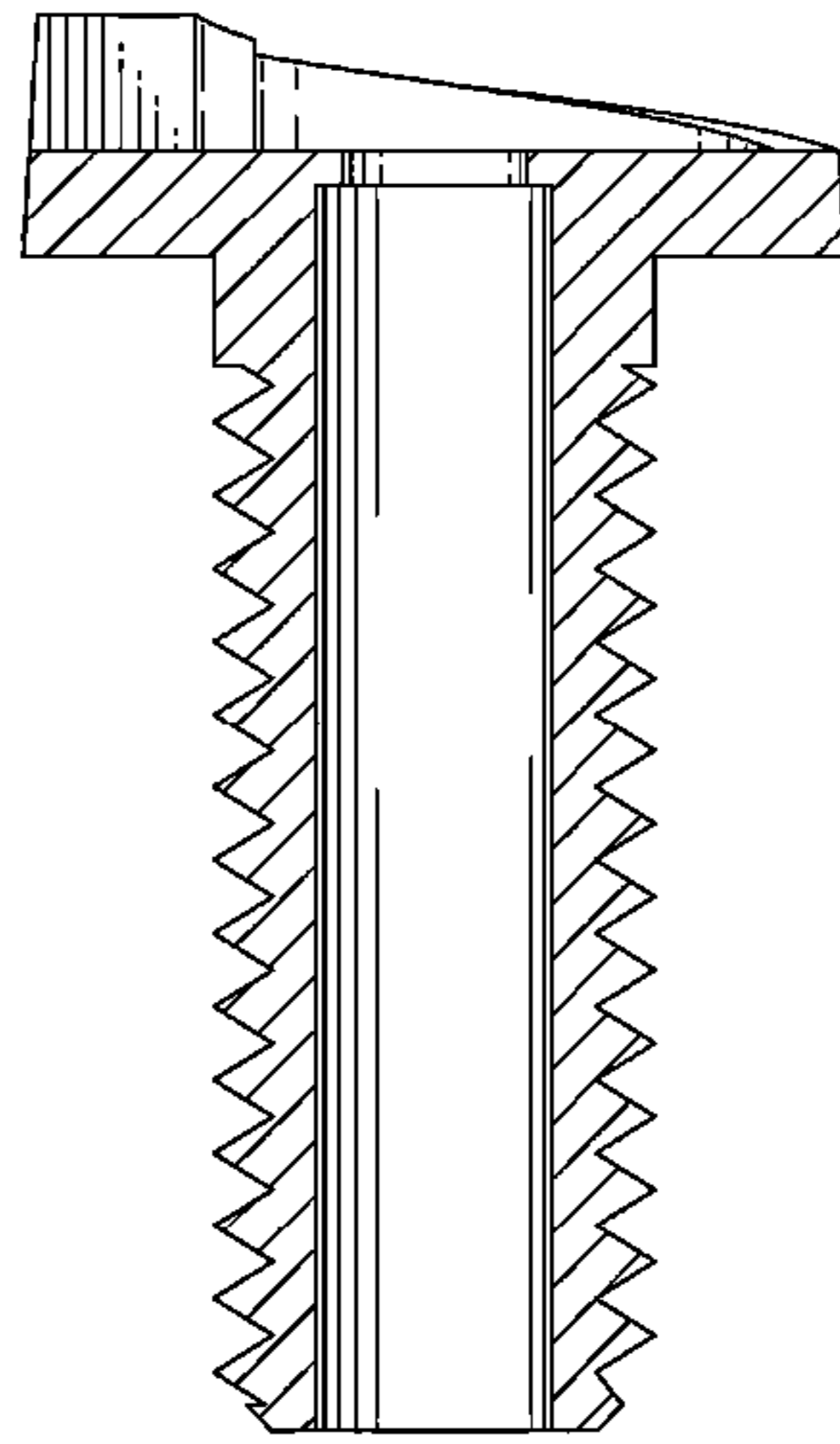


Fig. 7

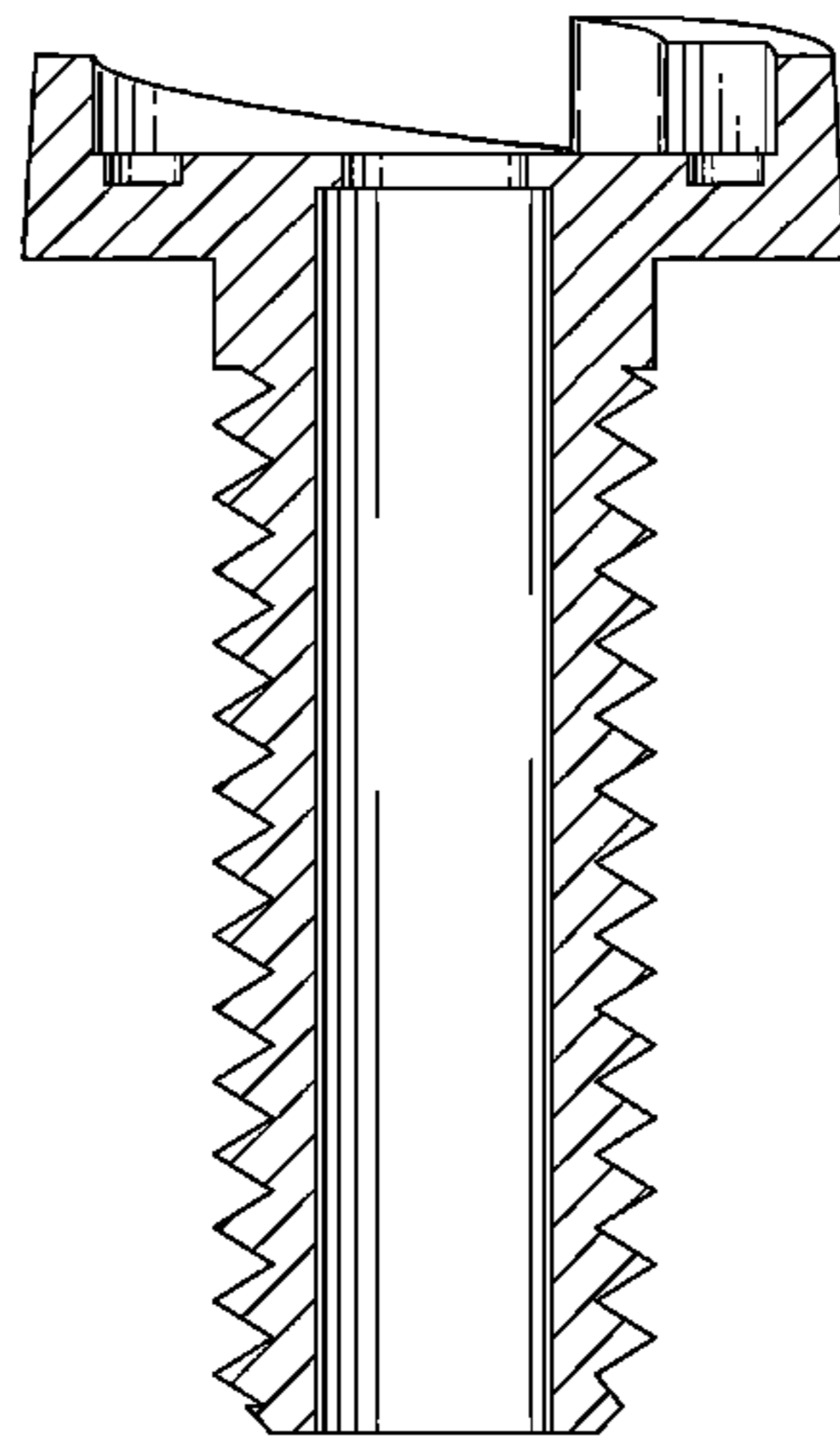


Fig. 8

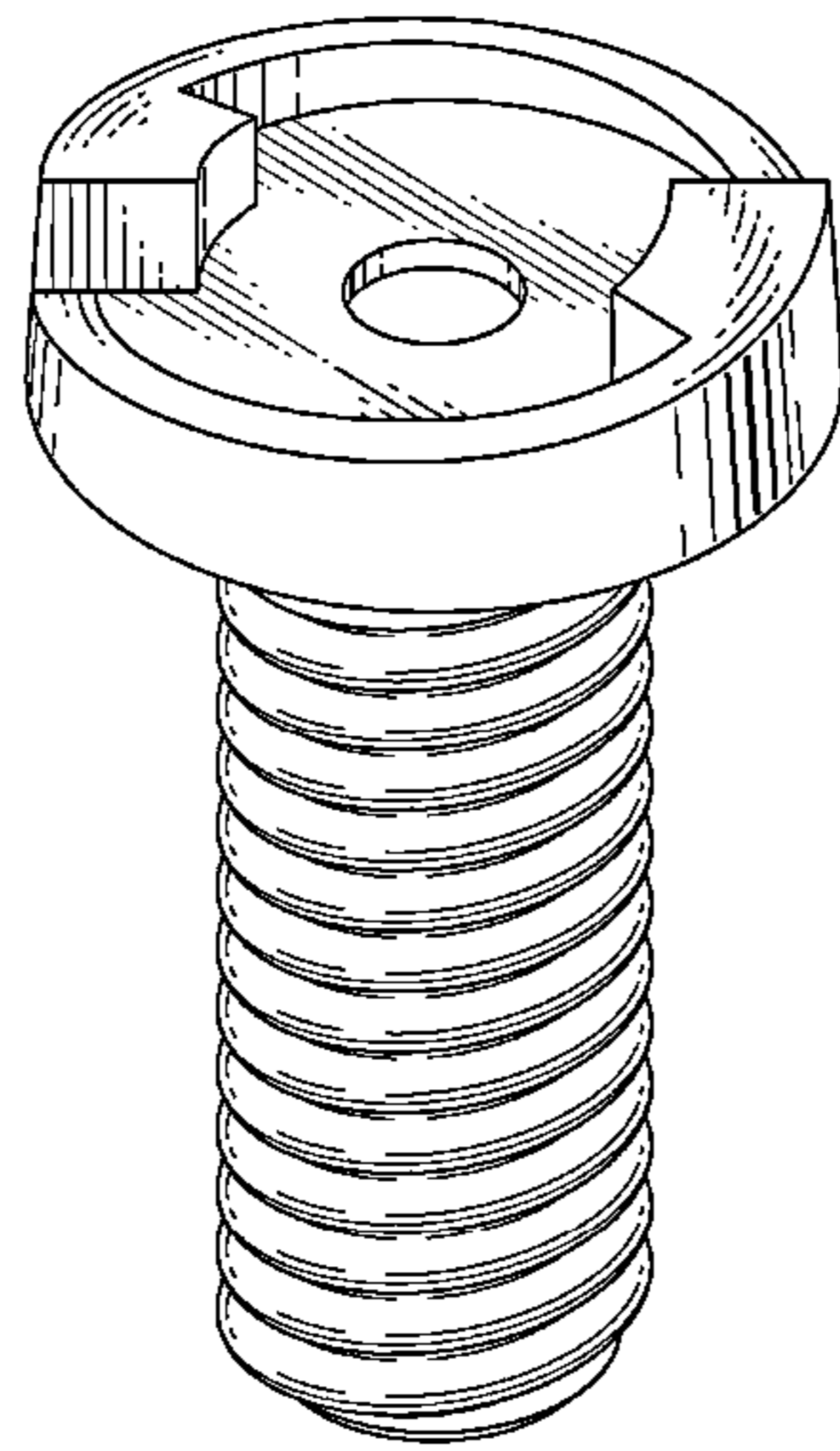


Fig. 9