



US00D741156S

(12) **United States Design Patent**  
**LaFlair, Sr.**

(10) **Patent No.:** **US D741,156 S**  
(45) **Date of Patent:** **\*\* Oct. 20, 2015**

- (54) **GLIDE FOR LAWN FURNITURE**
- (71) Applicant: **Bruce E. LaFlair, Sr.**, Ogdensburg, NY (US)
- (72) Inventor: **Bruce E. LaFlair, Sr.**, Ogdensburg, NY (US)
- (\*\*) Term: **14 Years**
- (21) Appl. No.: **29/488,804**
- (22) Filed: **Apr. 23, 2014**

**Related U.S. Application Data**

- (63) Continuation-in-part of application No. 12/870,059, filed on Aug. 27, 2010, now abandoned.
- (51) **LOC (10) Cl.** ..... **08-05**
- (52) **U.S. Cl.**  
USPC ..... **D8/374**
- (58) **Field of Classification Search**  
USPC ..... D8/16, 18, 19, 20, 105, 356, 363, 366,  
D8/370-377, 380-382; D6/406.2;  
D12/106, 48  
See application file for complete search history.

**References Cited**

**U.S. PATENT DOCUMENTS**

822,963	A	6/1906	Little	
1,069,141	A	8/1913	Jones	
1,982,138	A	11/1934	Herold	
D95,069	S *	4/1935	Richter	D8/375
D163,554	S *	6/1951	Auer	D8/374
D167,963	S *	10/1952	Auer	D8/374
D169,410	S *	4/1953	Auer	D8/374
5,220,705	A	6/1993	Bushey	
D338,360	S *	8/1993	Petersen	D8/374
6,206,424	B1	3/2001	Edwards et al.	

6,324,725	B1	12/2001	Green	
6,405,982	B2	6/2002	Ferencz	
6,761,340	B2	7/2004	Shaw	
D513,583	S *	1/2006	Chase	D8/374
7,234,200	B2	6/2007	Chase	
D548,577	S *	8/2007	Shiffler et al.	D8/376
D562,672	S *	2/2008	Mussallem et al.	D8/363
D649,442	S *	11/2011	Gardner	D8/374
D685,255	S *	7/2013	Rocquet	D8/374
D723,355	S *	3/2015	Federspiel	D8/354
D730,163	S *	5/2015	Wu	D8/376

\* cited by examiner

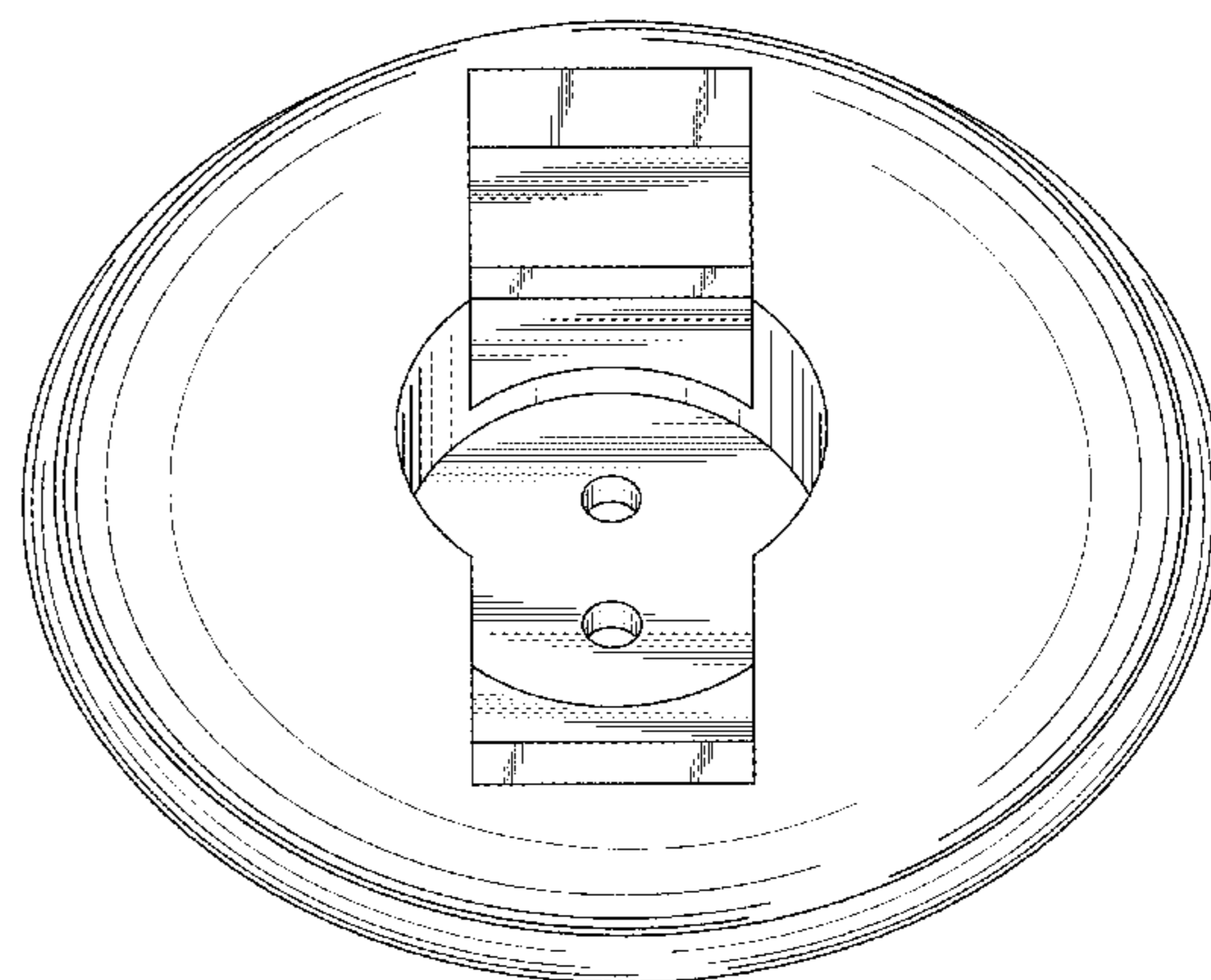
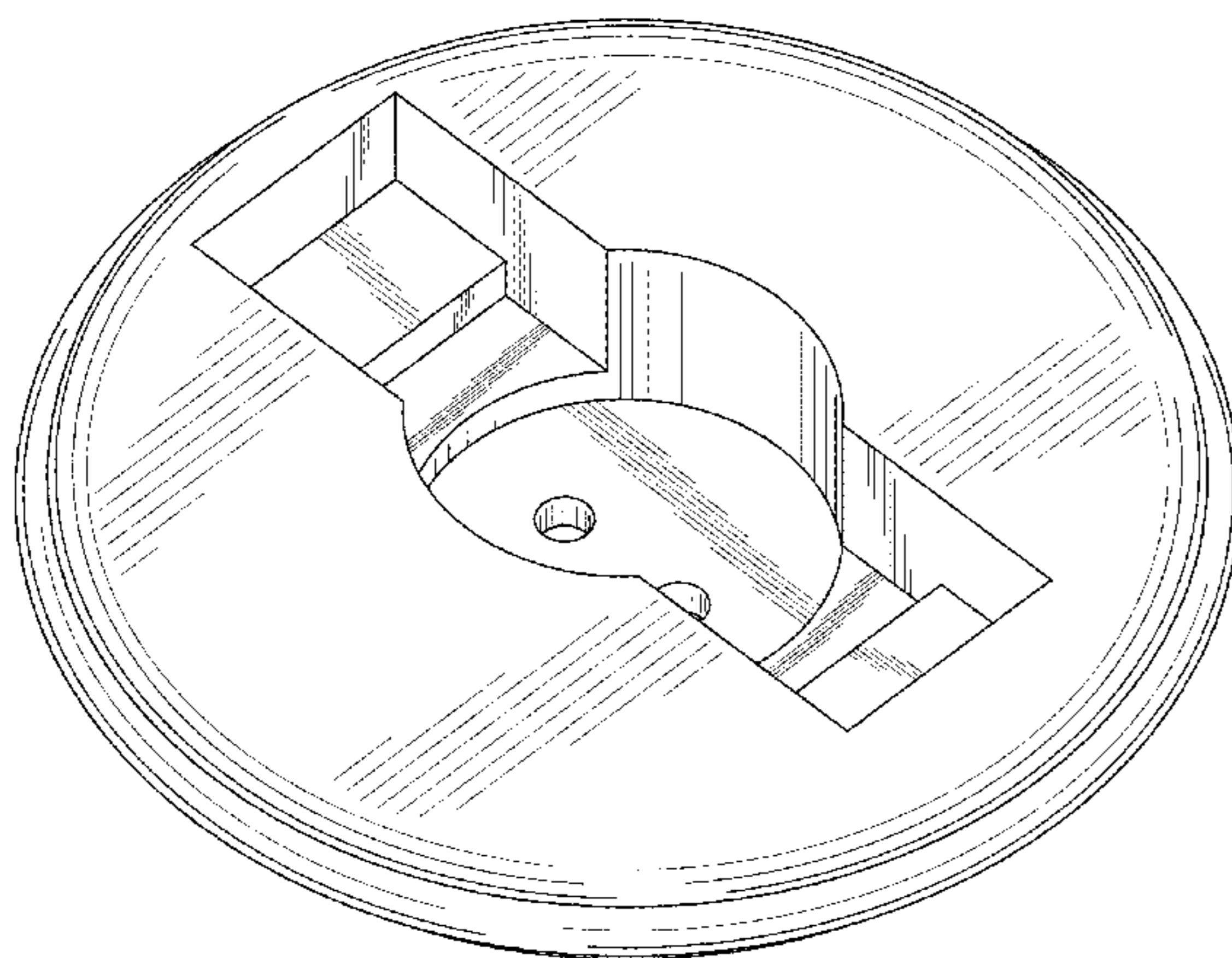
*Primary Examiner* — Robert M Spear  
*Assistant Examiner* — Eliza Bennett-Hattan  
(74) *Attorney, Agent, or Firm* — Robert C. Montgomery; Montgomery Patent & Design

(57) **CLAIM**  
The ornamental design for a glide for lawn furniture, as shown and described.

**DESCRIPTION**

FIG. 1 is a top left perspective view of a glide for lawn furniture;  
FIG. 2 is a top right perspective view thereof;  
FIG. 3 is a top front perspective view thereof;  
FIG. 4 is a top rear perspective view thereof;  
FIG. 5 is a front view thereof, wherein a rear view is a mirror image of the front view;  
FIG. 6 is a left-hand side view thereof, wherein a right-hand side view is a mirror image of the left-hand side view;  
FIG. 7 is a top view thereof;  
FIG. 8 is a bottom view thereof; and,  
FIG. 9 is a left-hand side cross section view thereof, wherein a right-hand side cross section view is a mirror image of the left-hand side cross section view.

**1 Claim, 9 Drawing Sheets**



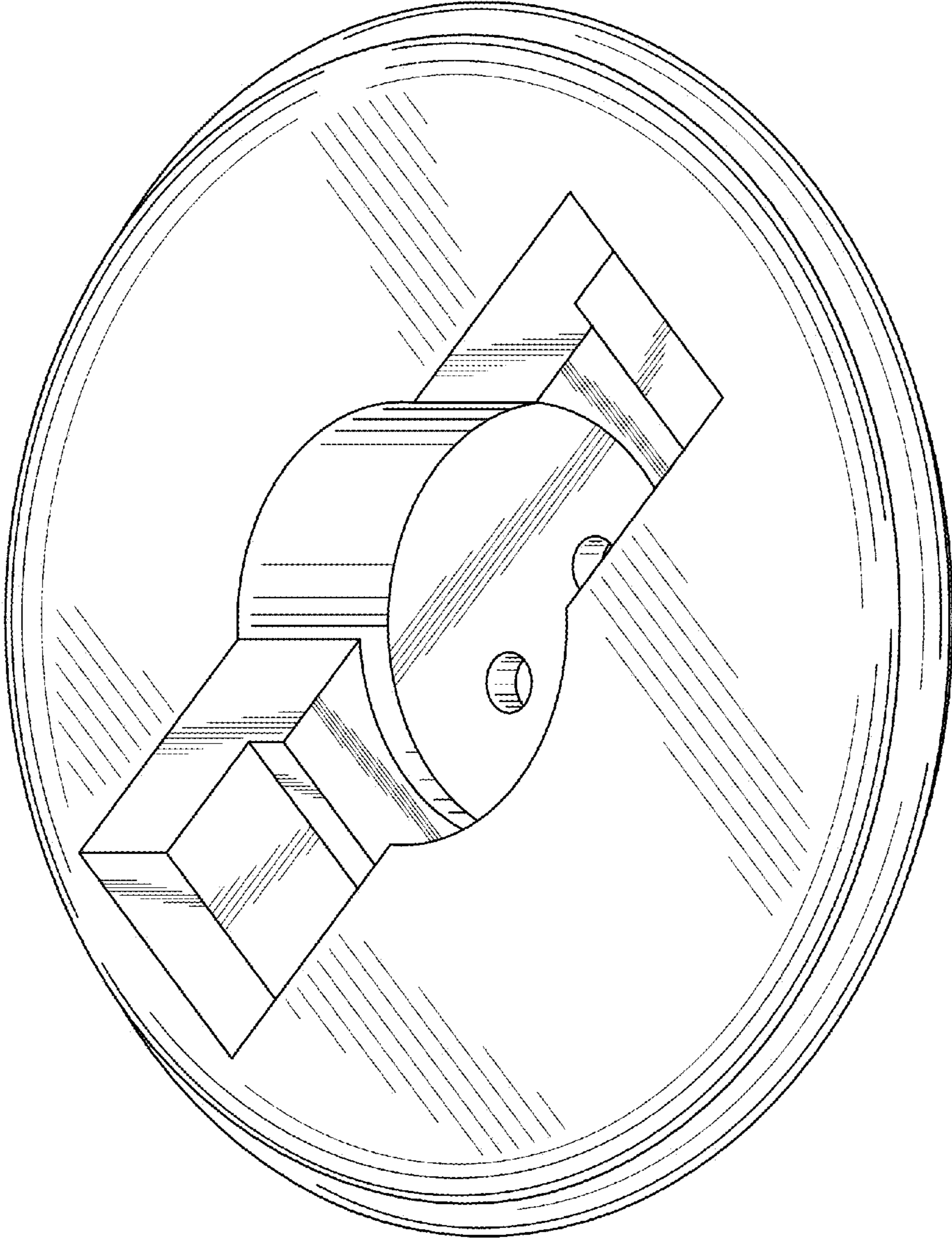


Fig. 1

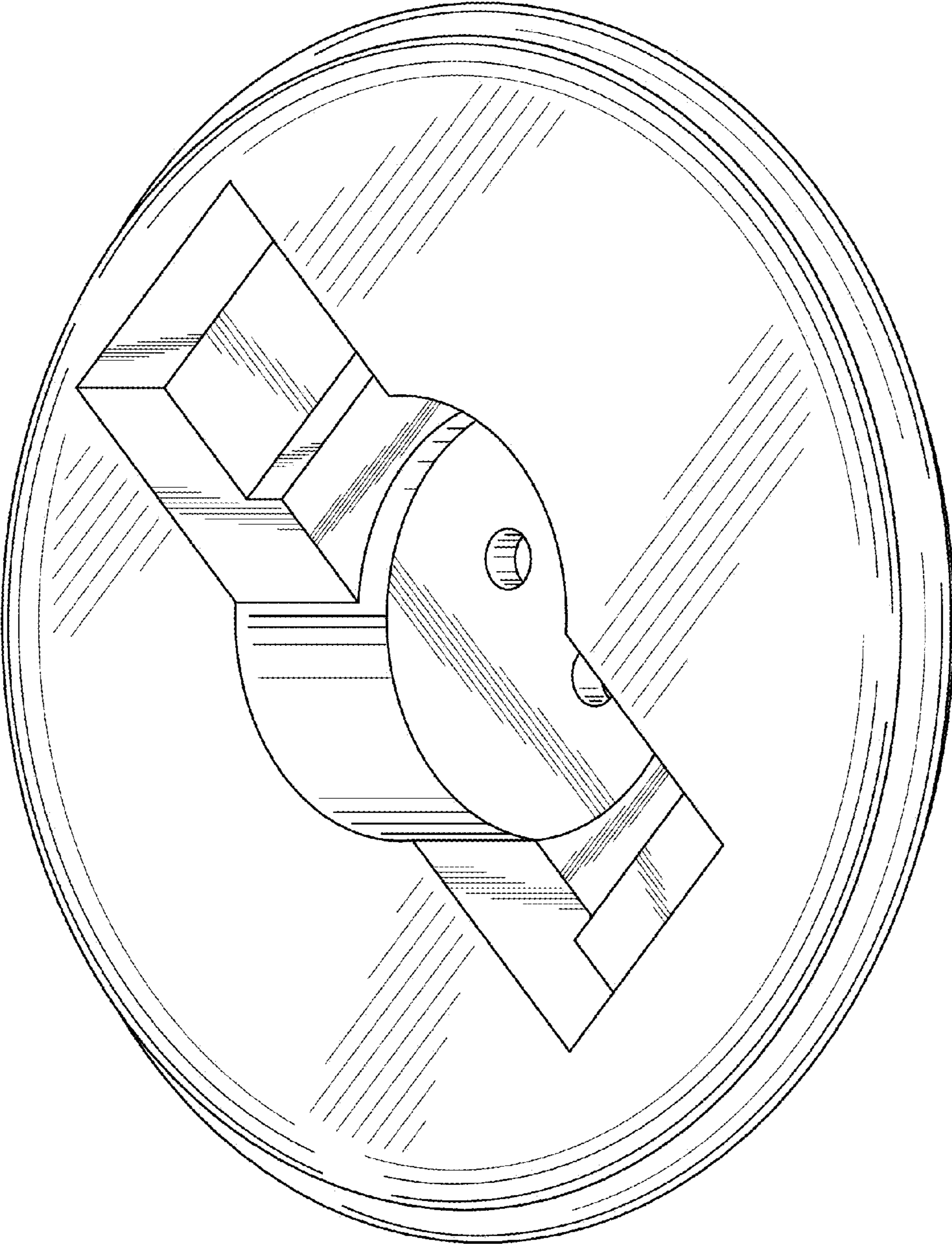


Fig. 2

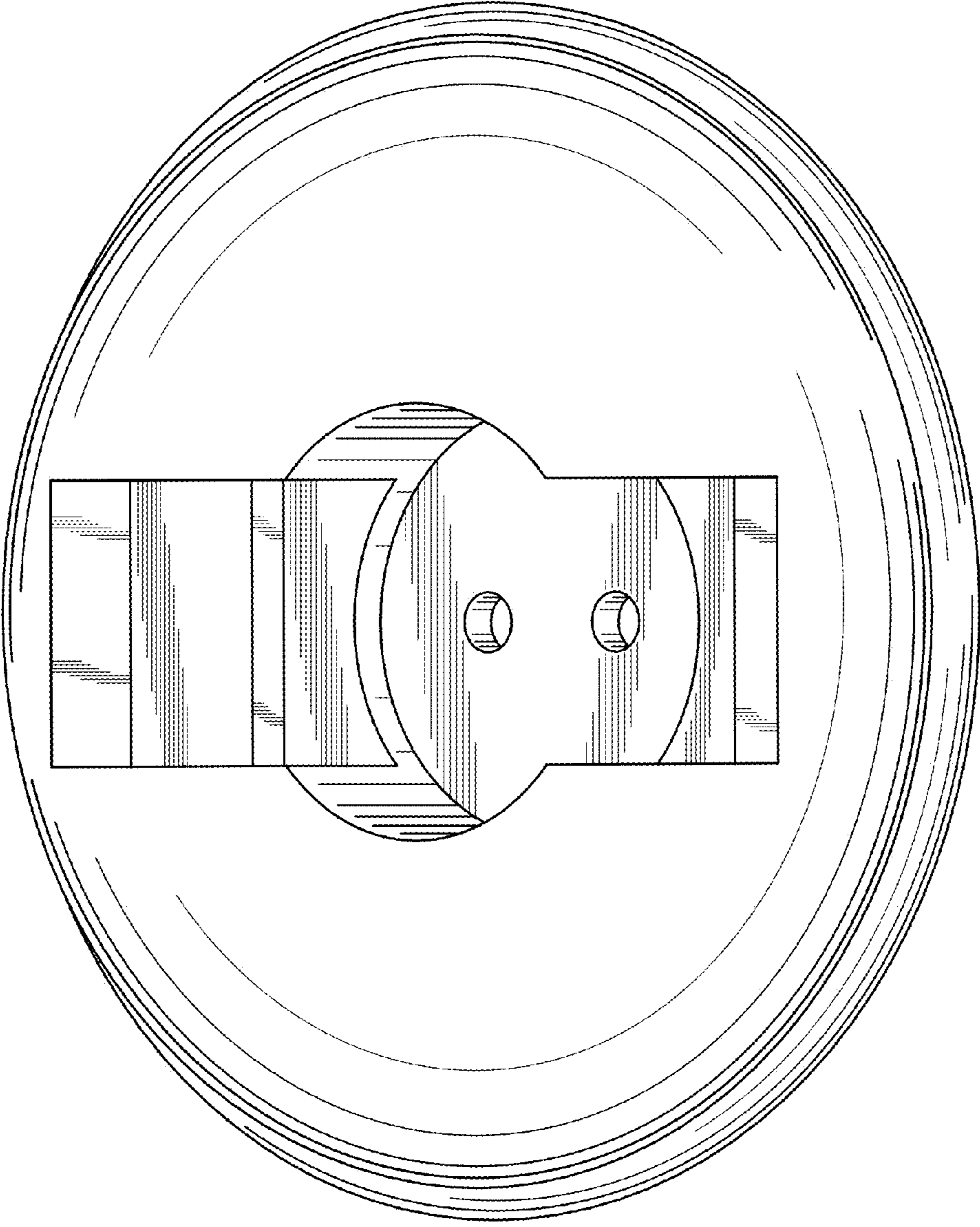


Fig. 3

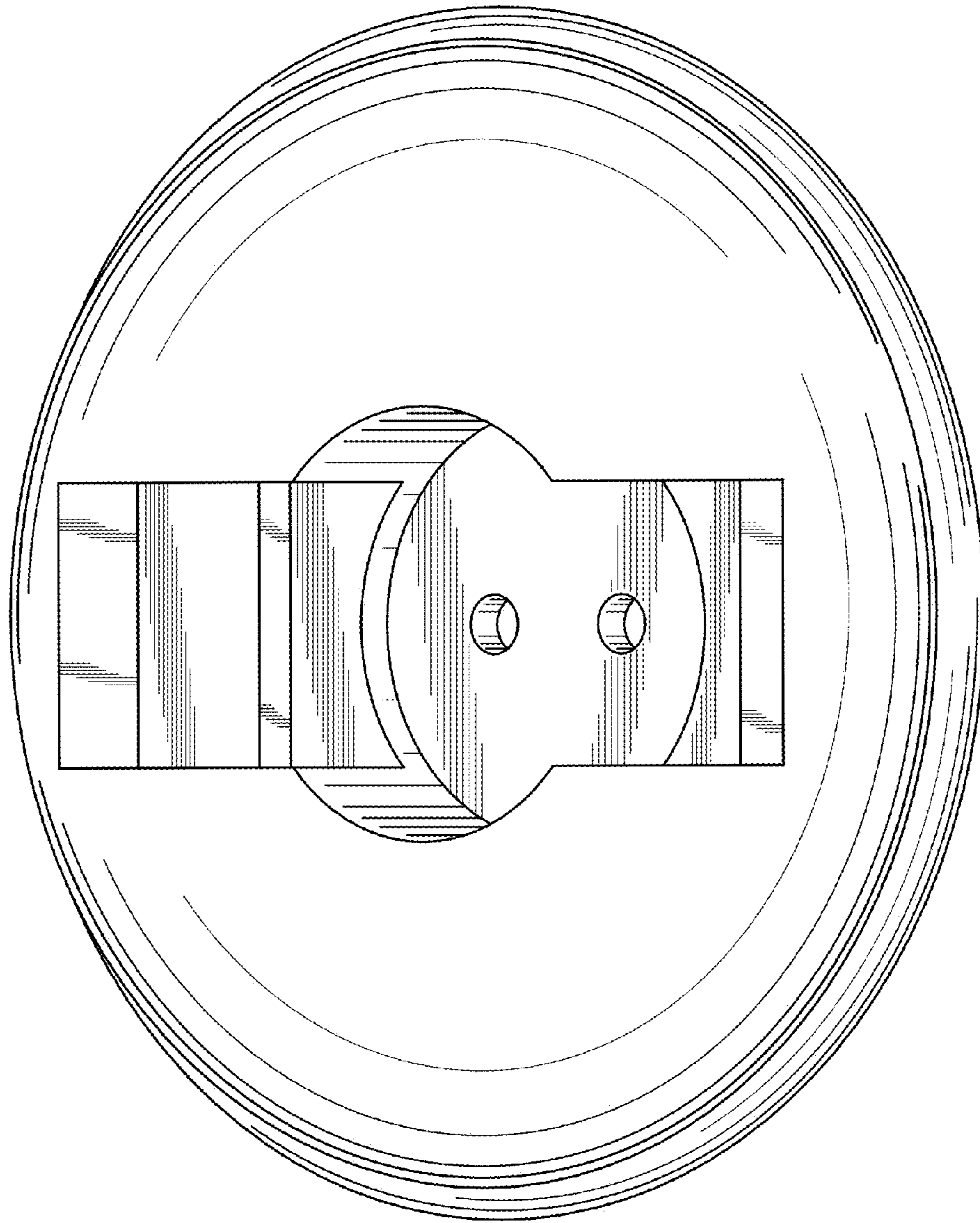


Fig. 4

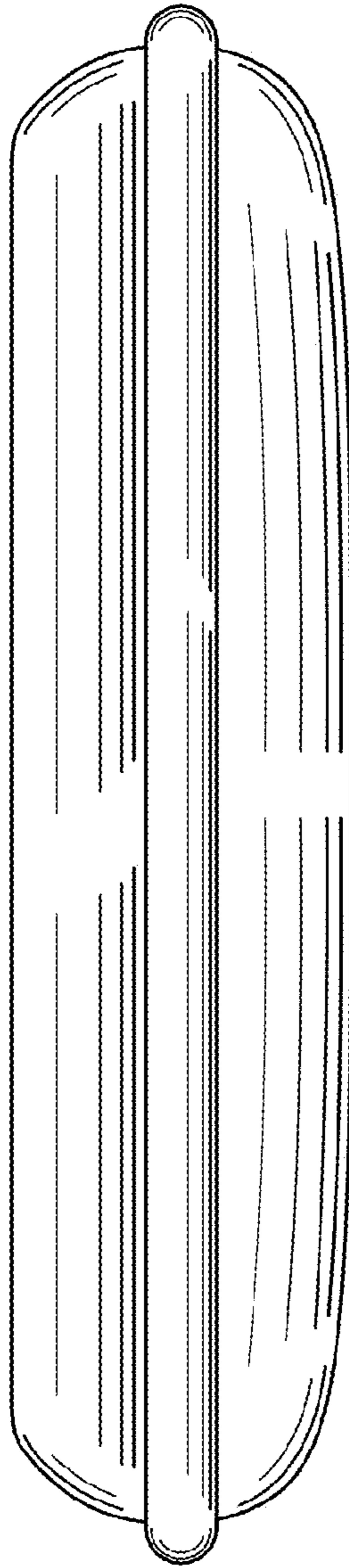


Fig. 5

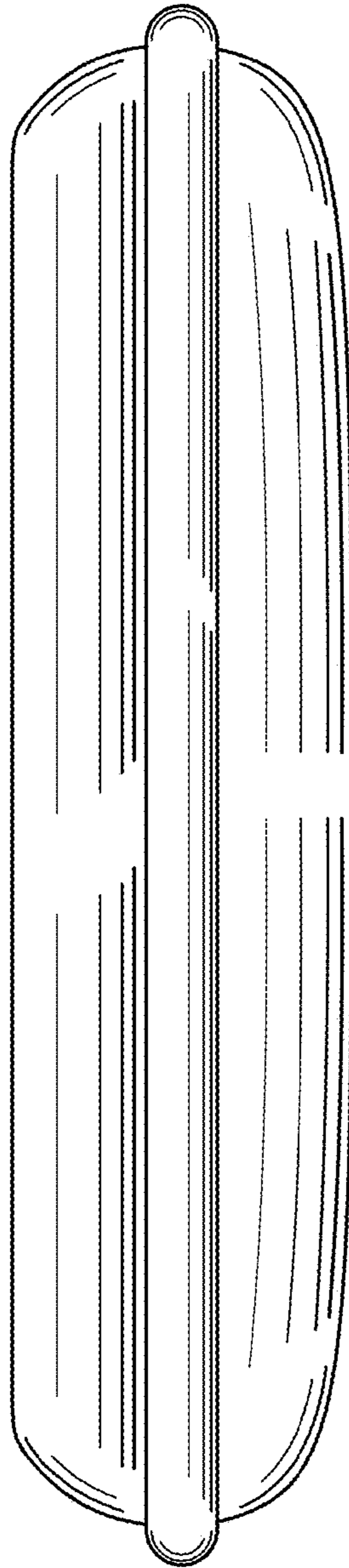


Fig. 6

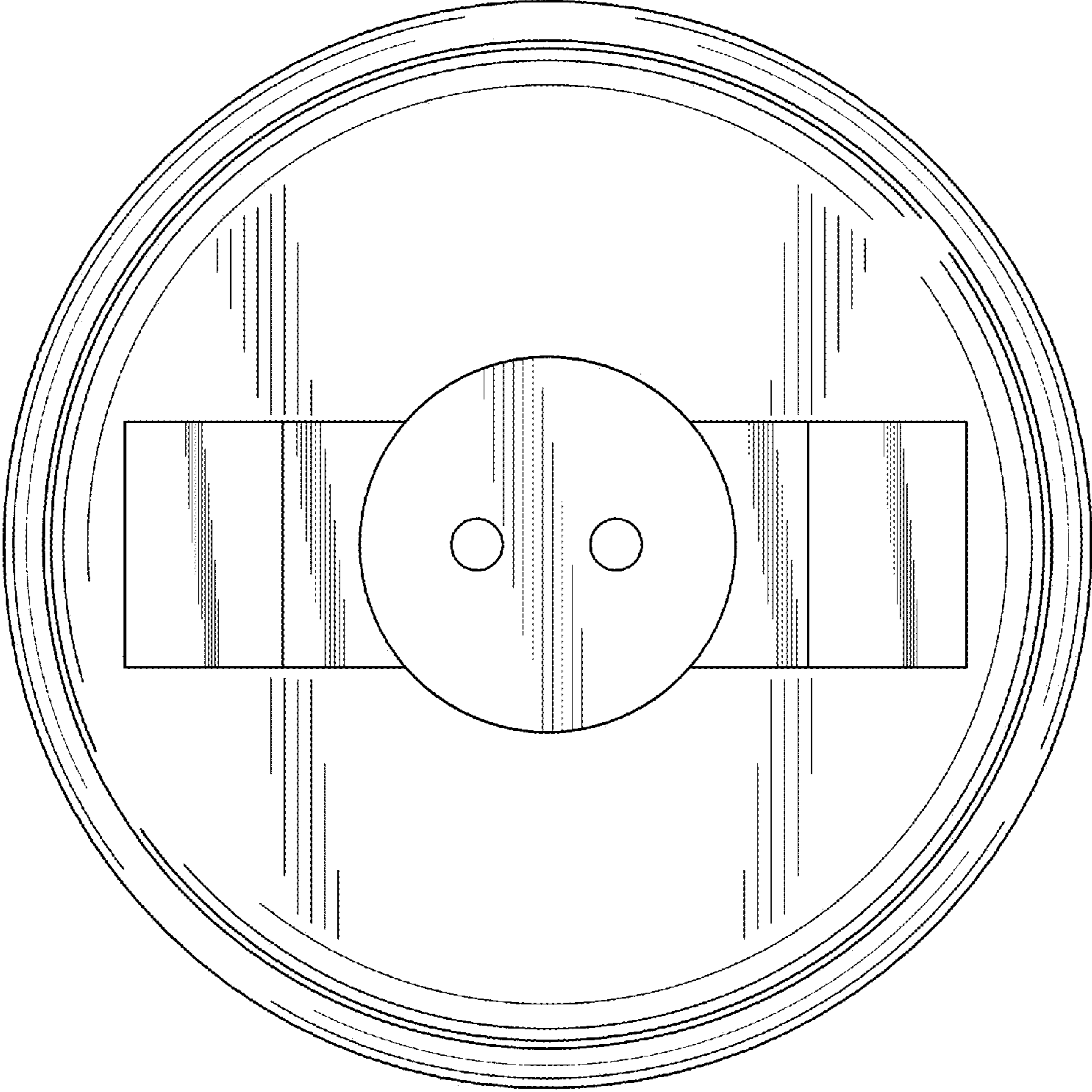


Fig. 7



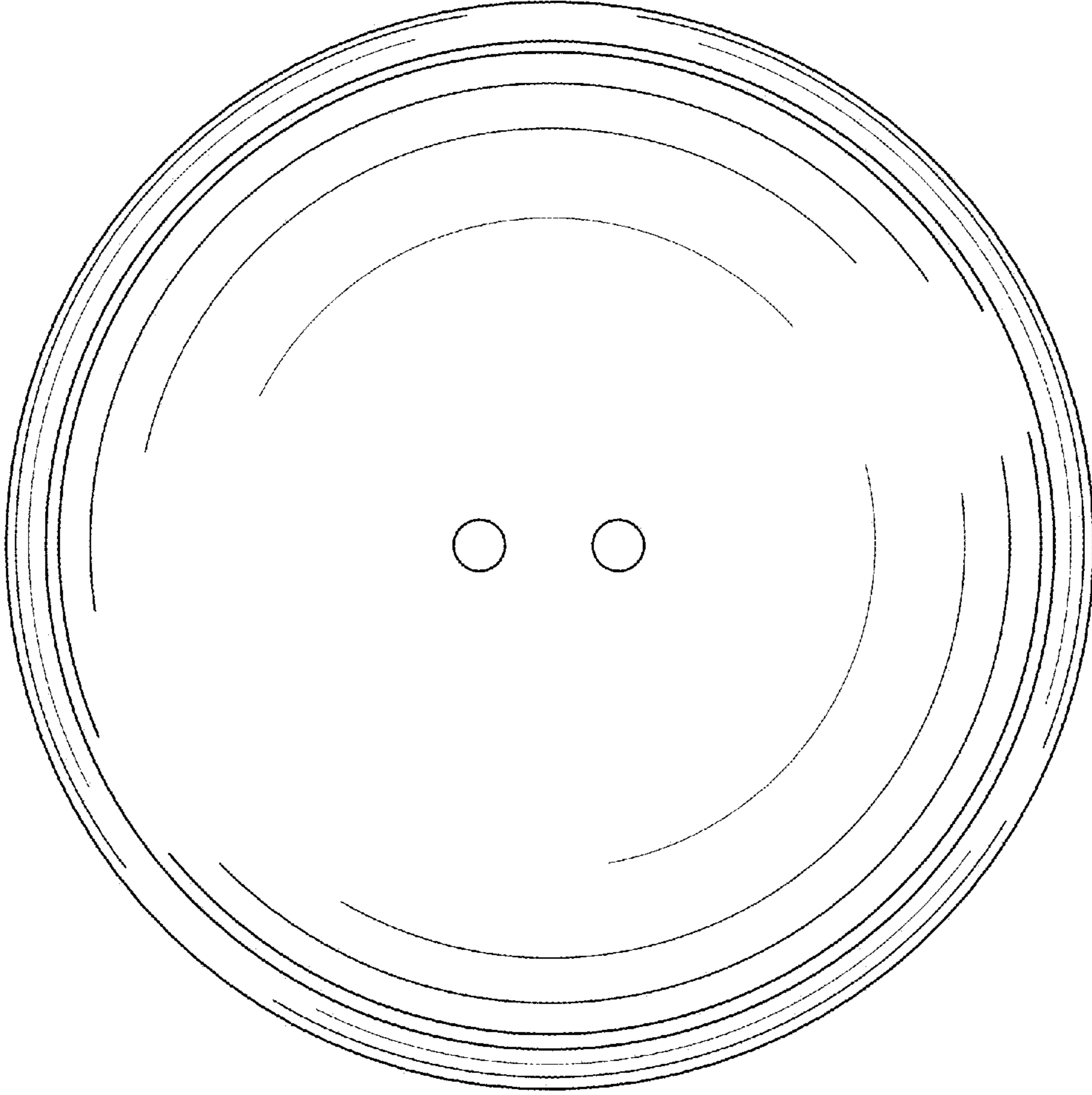


Fig. 8

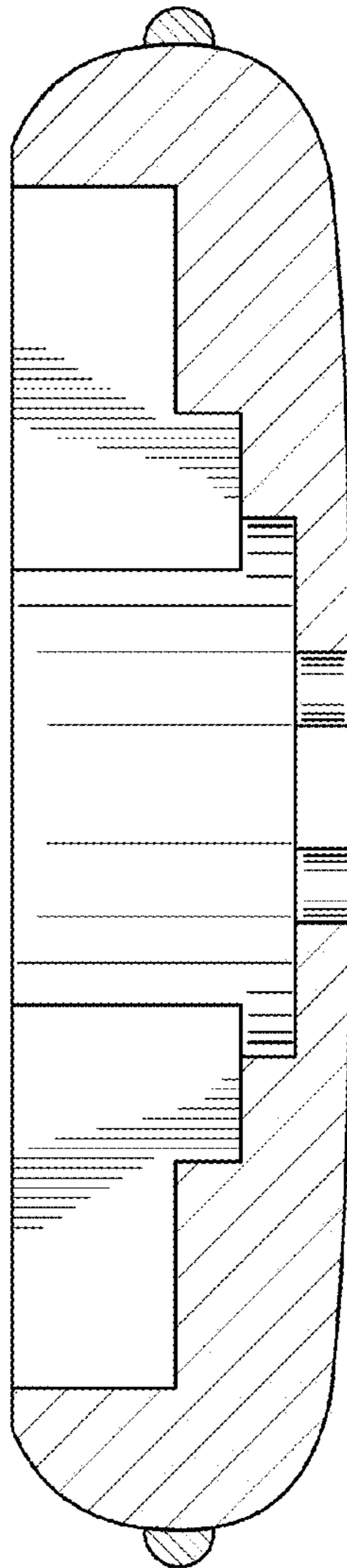


Fig. 9