



US00D741155S

(12) **United States Design Patent**  
**Ziaylek et al.**

(10) **Patent No.:** **US D741,155 S**  
(45) **Date of Patent:** **\*\* Oct. 20, 2015**

- (54) **EMERGENCY APPARATUS MOUNTING BRACKET**
- (71) Applicant: **Michael P. Ziaylek**, Yardley, PA (US)
- (72) Inventors: **Michael P. Ziaylek**, Yardley, PA (US);  
**W. Brian McGinty**, Huntingdon Valley, PA (US)
- (73) Assignee: **Michael P. Ziaylek**, Yardley, PA (US)
- (\*\*) Term: **14 Years**
- (21) Appl. No.: **29/474,444**
- (22) Filed: **Sep. 23, 2014**
- (51) **LOC (10) Cl.** ..... **08-05**
- (52) **U.S. Cl.**  
USPC ..... **D8/373**
- (58) **Field of Classification Search**  
USPC ..... D8/375, 374, 381, 382, 380, 318, 373,  
D8/377, 363, 358, 384, 376, 385, 388, 389,  
D8/355, 394, 356, 396; D3/279, 271.12;  
D12/223; D34/14, 19, 24, 25, 27;  
D21/424, 425, 533, 534, 535, 536;  
D20/41, 43; D4/199; D19/135;  
D25/131  
CPC ..... A61G 3/001; A62B 9/04; A62C 13/78;  
B21D 39/021  
See application file for complete search history.

- D242,015 S \* 10/1976 Busche ..... D8/373
- 4,019,708 A 4/1977 Croup
- 4,206,896 A 6/1980 Cadillac
- 4,511,109 A 4/1985 Cadillac
- 4,815,683 A 3/1989 Ferrante
- 4,846,385 A 7/1989 Fratus
- 4,962,918 A 10/1990 Yang
- 5,165,629 A 11/1992 Breveglieri
- 5,515,593 A 5/1996 Eagler
- D394,201 S \* 5/1998 Newell et al. .... D8/356
- D400,491 S \* 11/1998 Hagenbuch ..... D12/223
- 6,053,340 A 4/2000 Cameron
- 6,139,081 A 10/2000 Lemieux
- D435,416 S \* 12/2000 Foley, Jr. .... D8/72
- 6,394,534 B1 5/2002 Dean
- 6,571,882 B2 6/2003 Yen
- 6,592,091 B1 7/2003 Michaels
- 6,688,664 B2 2/2004 Sioutis
- 6,755,258 B1 6/2004 Hunke et al.
- 7,234,534 B2 6/2007 Froland et al.
- D558,039 S \* 12/2007 Skinner ..... D8/382
- 7,451,960 B2 11/2008 Kirchner et al.

(Continued)

*Primary Examiner* — Robert M Spear  
*Assistant Examiner* — Eliza Bennett-Hattan  
(74) *Attorney, Agent, or Firm* — Fox Rothschild LLP

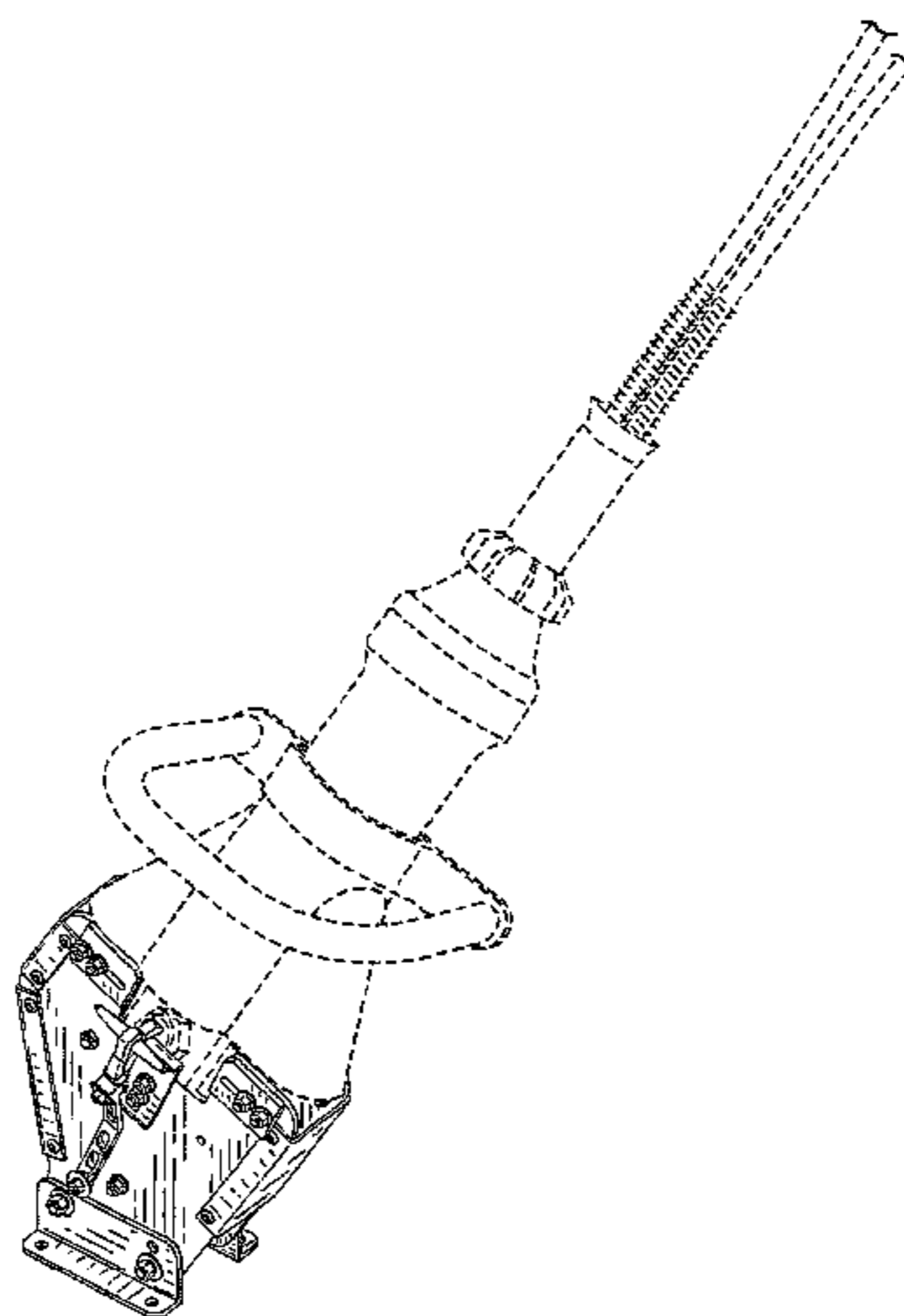
(57) **CLAIM**  
The ornamental design for an emergency apparatus mounting bracket, as shown and described.

**DESCRIPTION**

FIG. 1 is a front three-quarter perspective view embodying our new design;  
FIG. 2 is a left side plan view;  
FIG. 3 is a right side plan view;  
FIG. 4 is a rear plan view;  
FIG. 5 is a front plan view;  
FIG. 6 is a top plan view; and,  
FIG. 7 is a bottom plan view.  
The broken lines shown in the drawings depict environmental structure only and form no part of the claimed design.

**1 Claim, 7 Drawing Sheets**

- (56) **References Cited**  
U.S. PATENT DOCUMENTS
- 1,347,611 A 7/1920 Blenko
- 1,593,722 A 7/1926 Joyce
- 1,754,714 A 4/1930 Gandrup
- D113,898 S \* 3/1939 Nisenson ..... D8/394
- 3,236,483 A 2/1966 House
- 3,714,619 A 1/1973 Morgan et al.
- 3,942,669 A 3/1976 Savage, Jr.
- 3,970,274 A 7/1976 Resk



# US D741,155 S

Page 2

---

(56)

## References Cited

### U.S. PATENT DOCUMENTS

7,490,813 B1 2/2009 Weddle

D605,102 S \* 12/2009 Peschmann ..... D12/223  
D611,886 S \* 3/2010 Peschmann ..... D12/223  
2009/0242716 A1 10/2009 Thon

\* cited by examiner

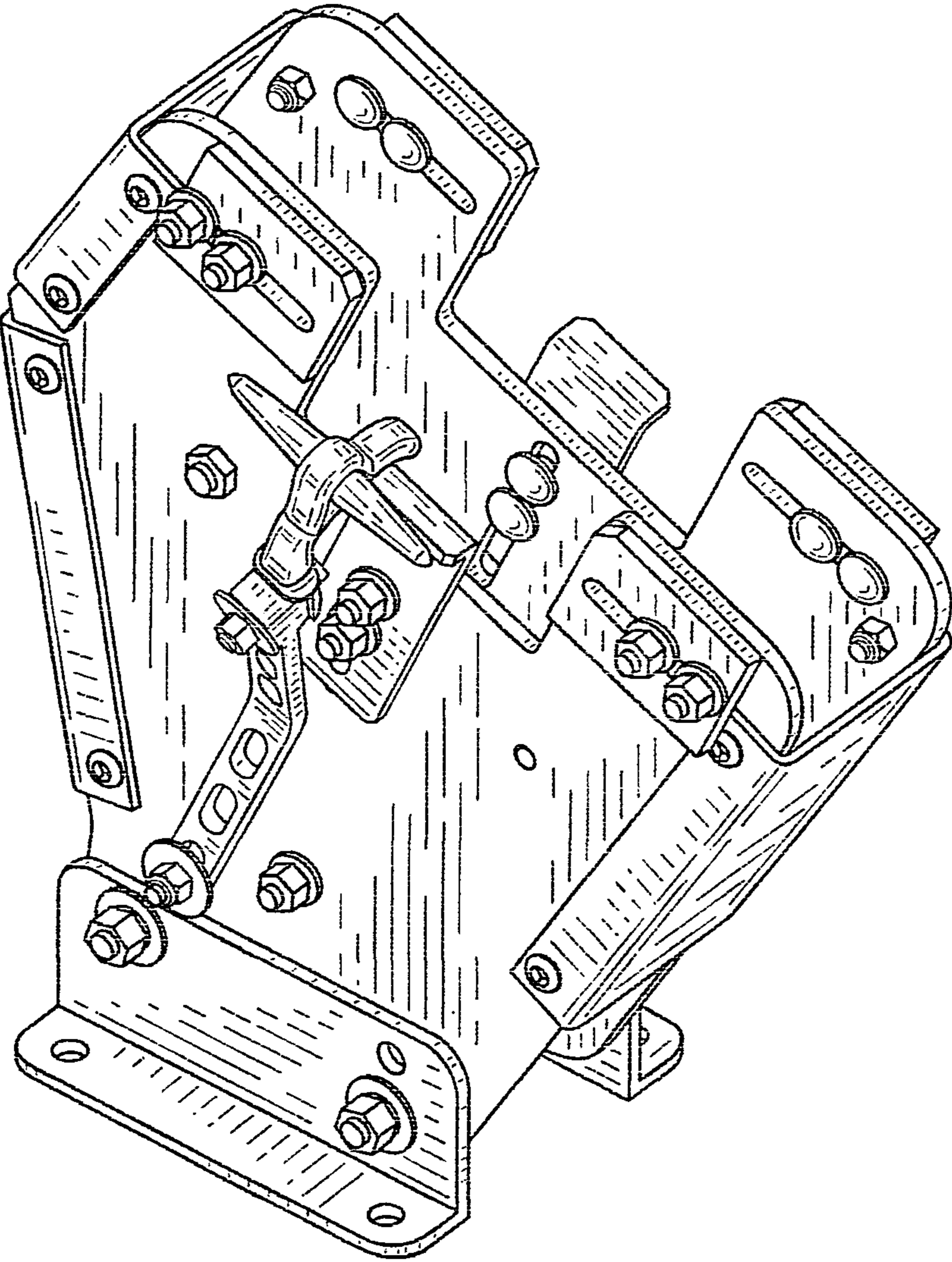


FIG. 1

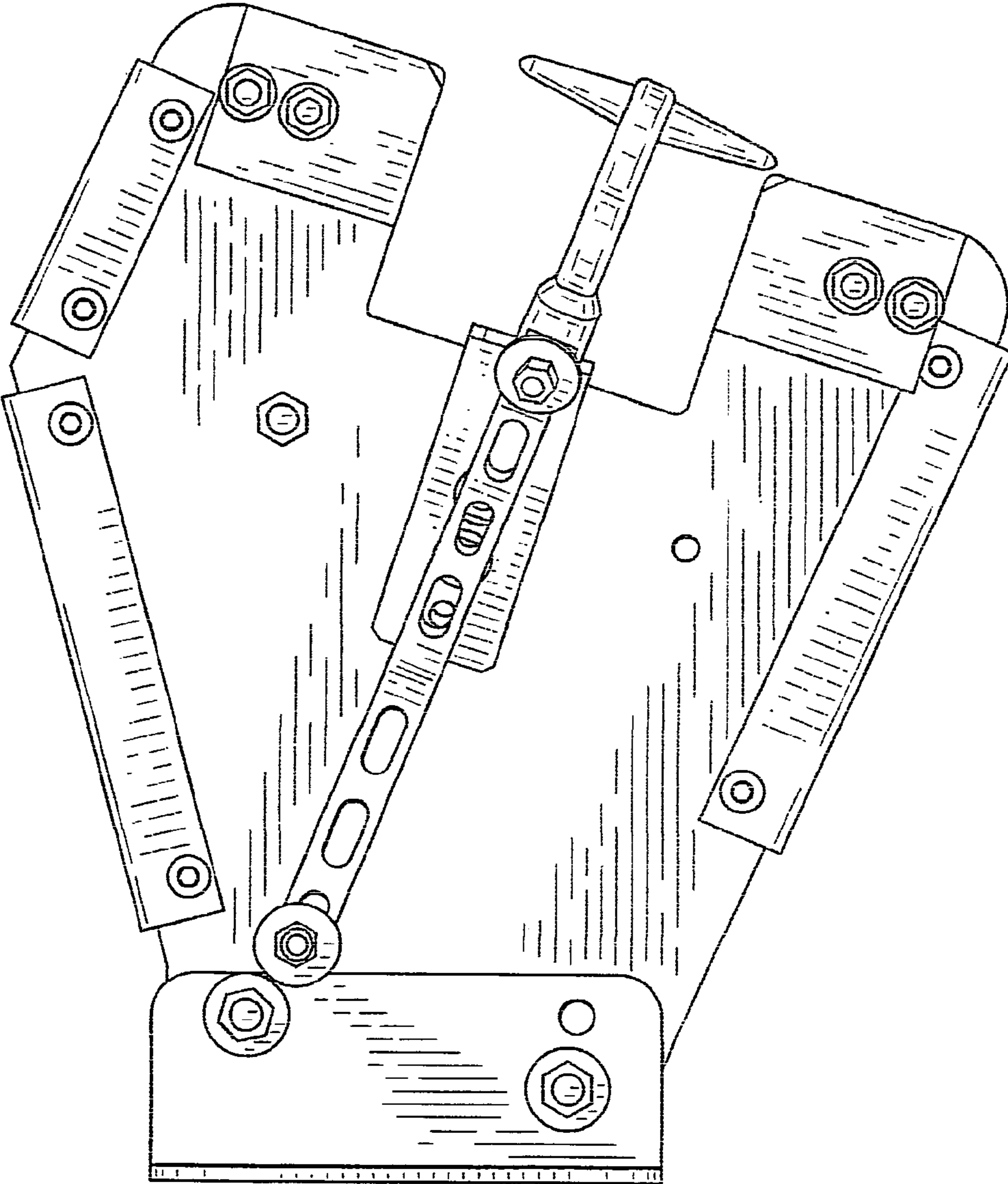


FIG. 2

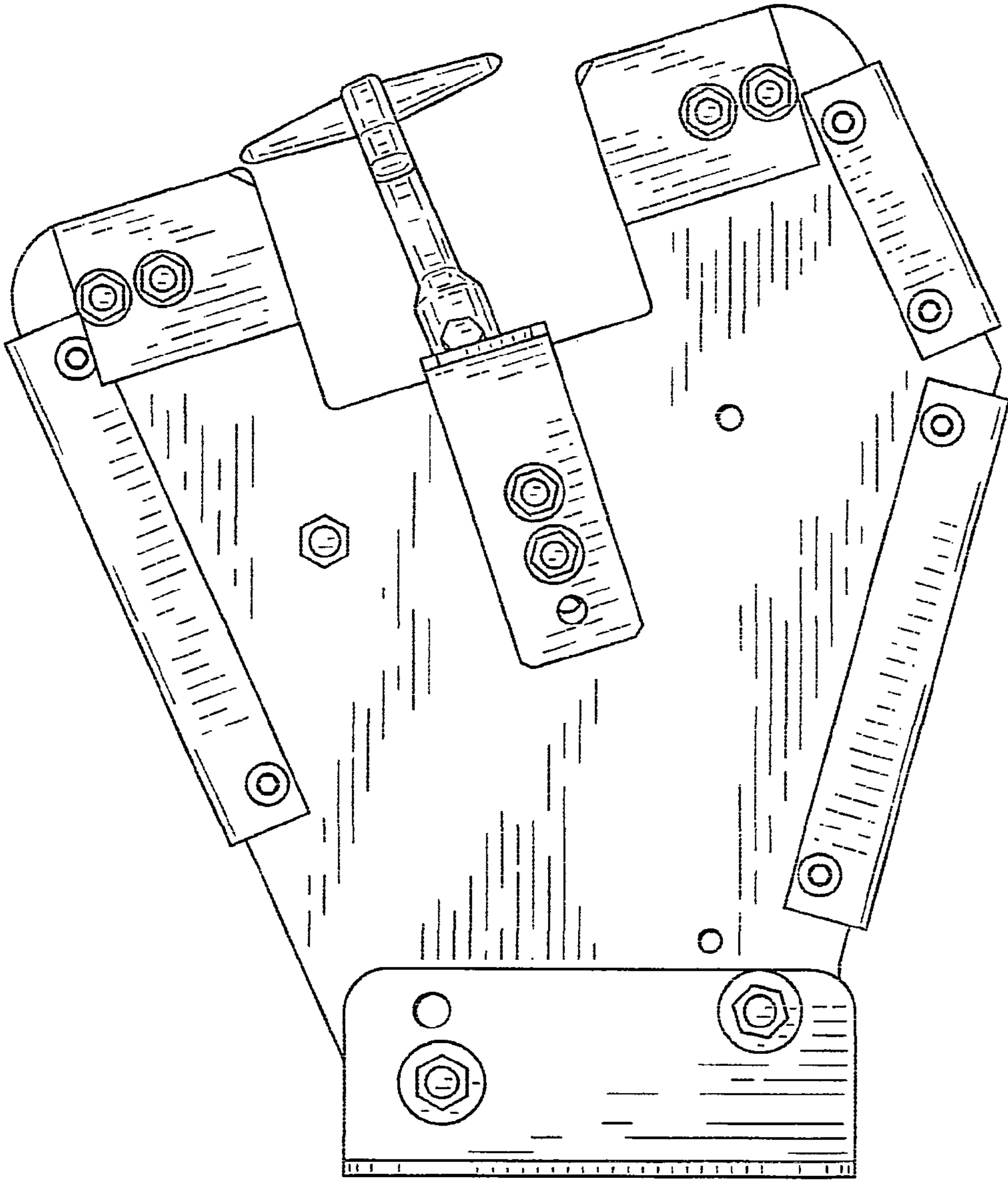


FIG. 3

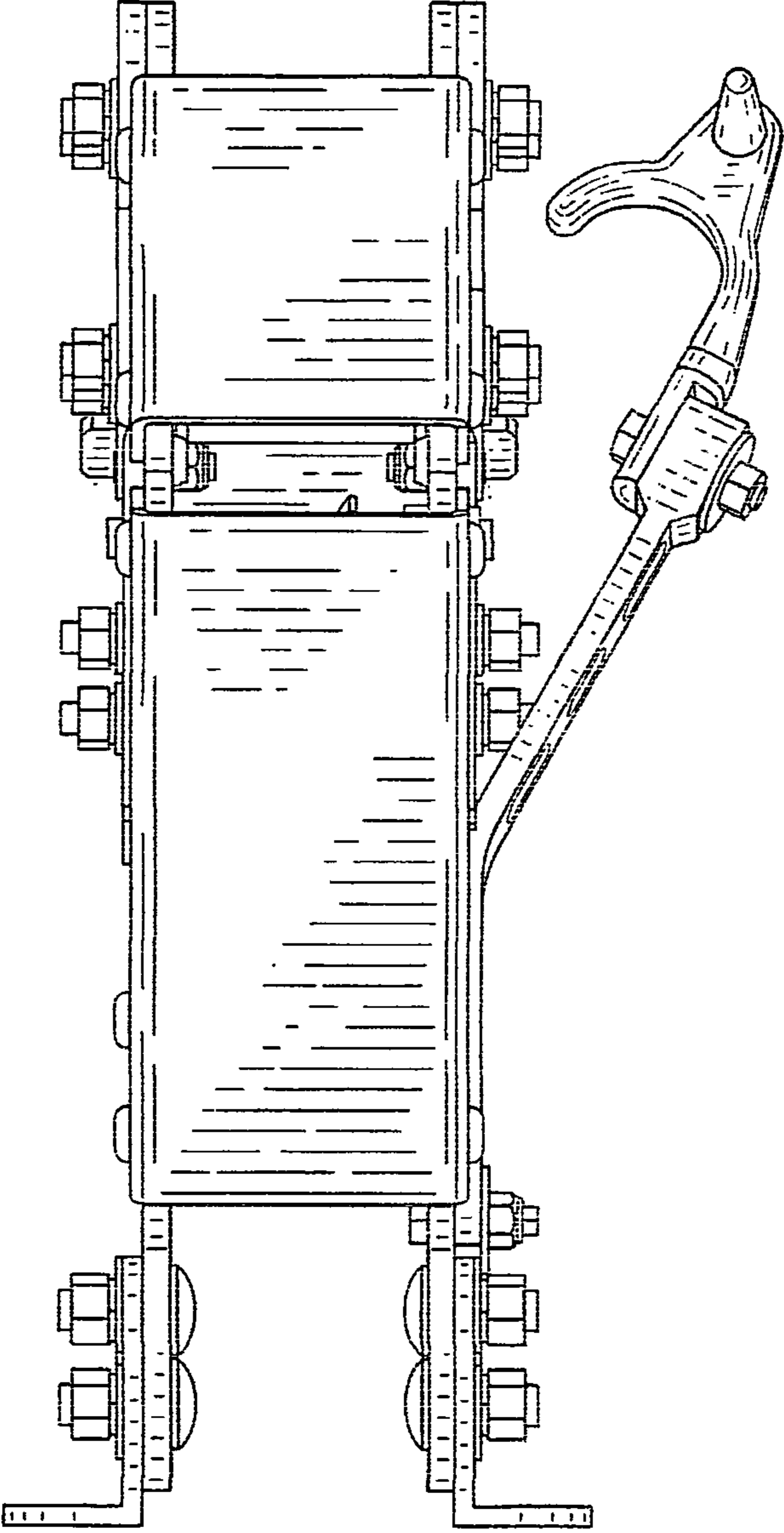


FIG. 4

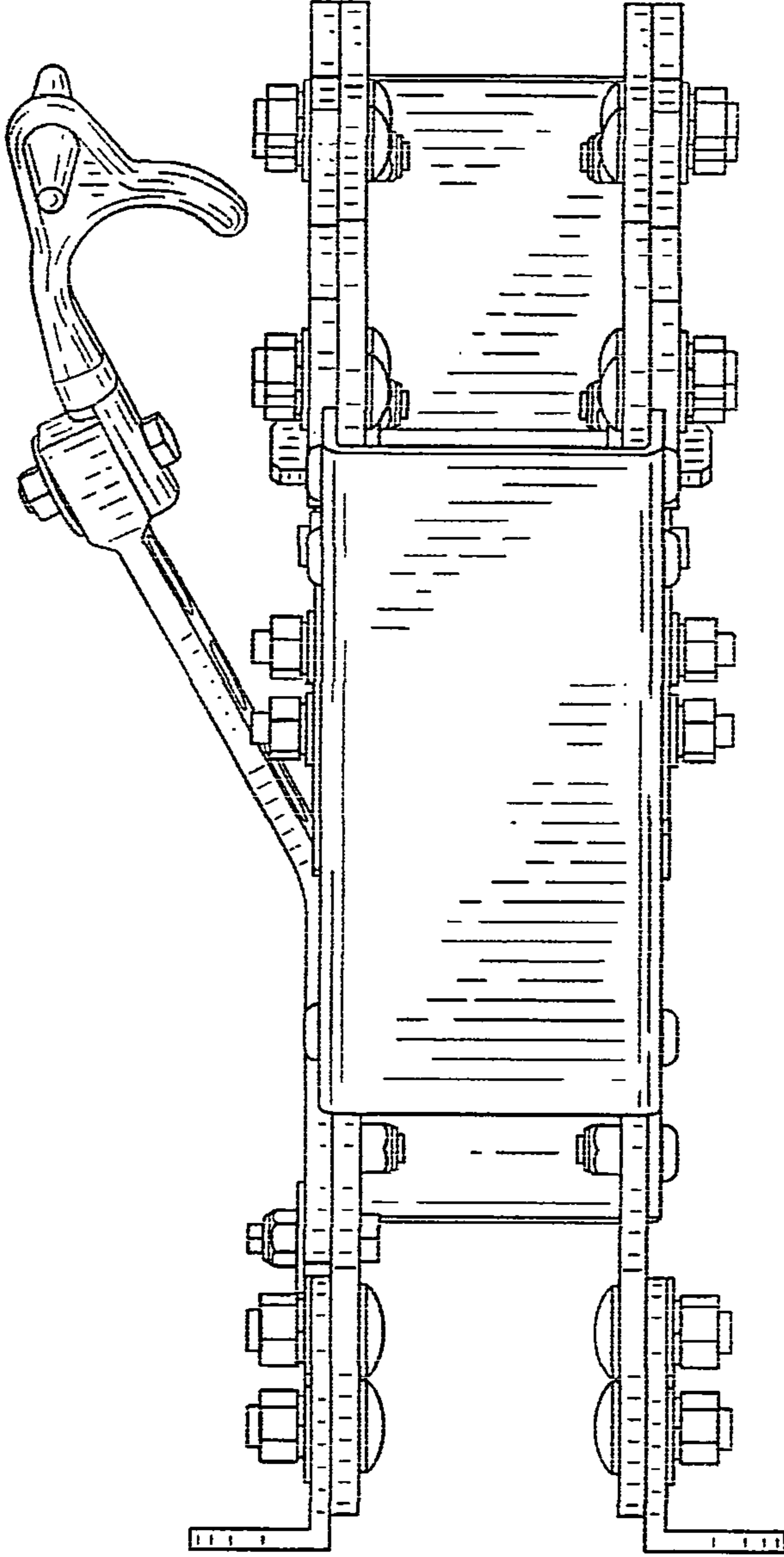


FIG. 5

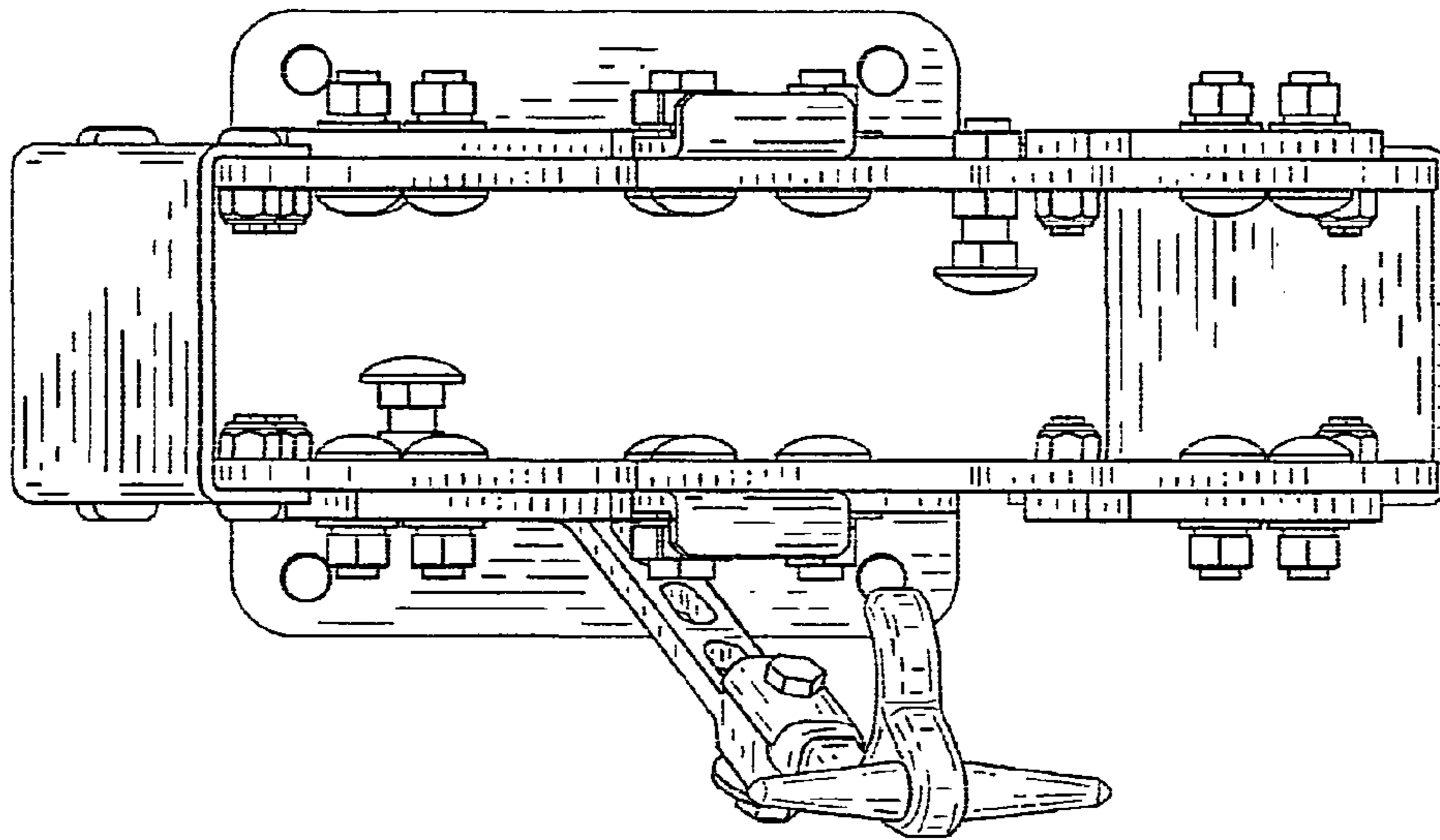


FIG. 6

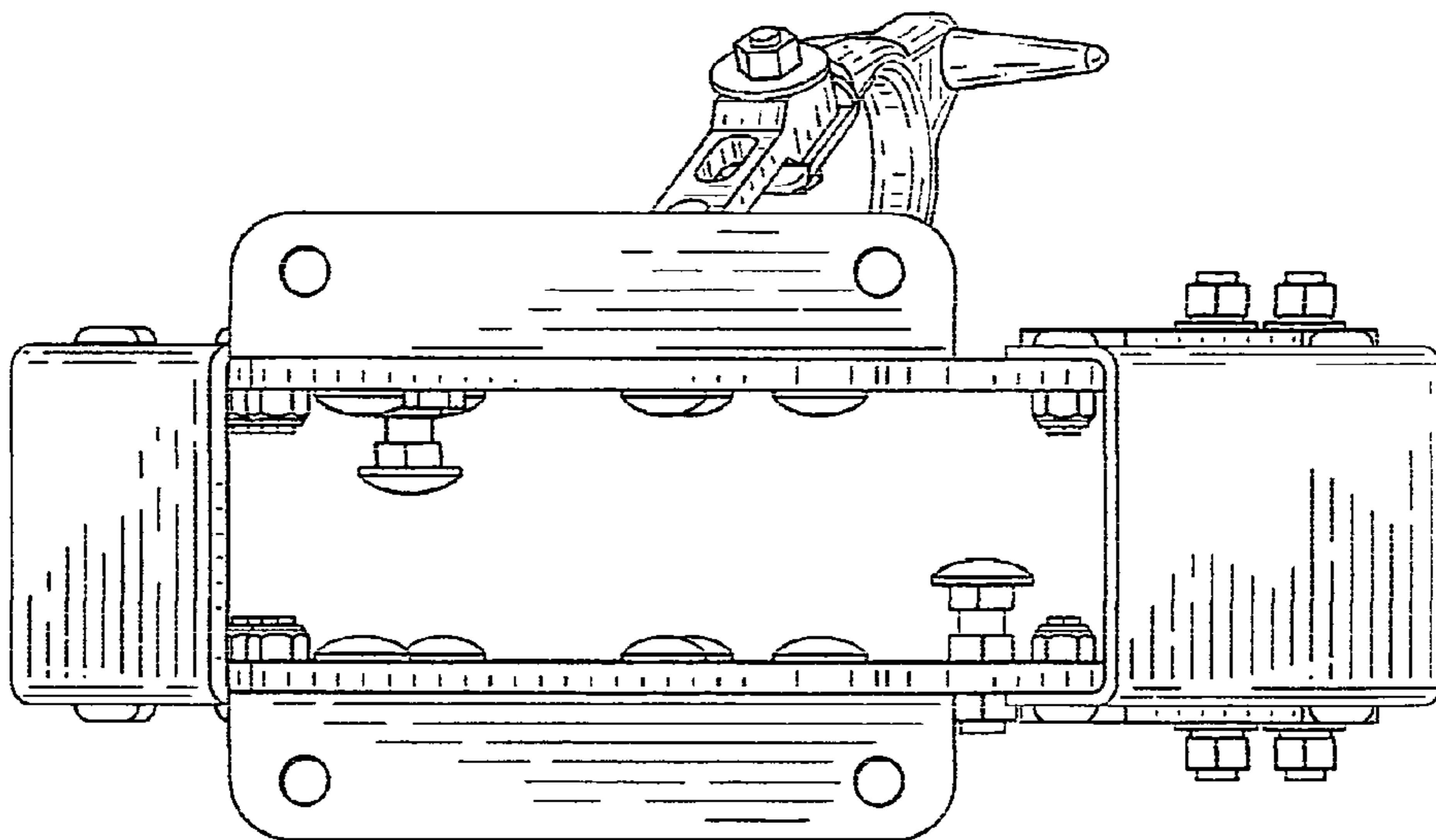


FIG. 7



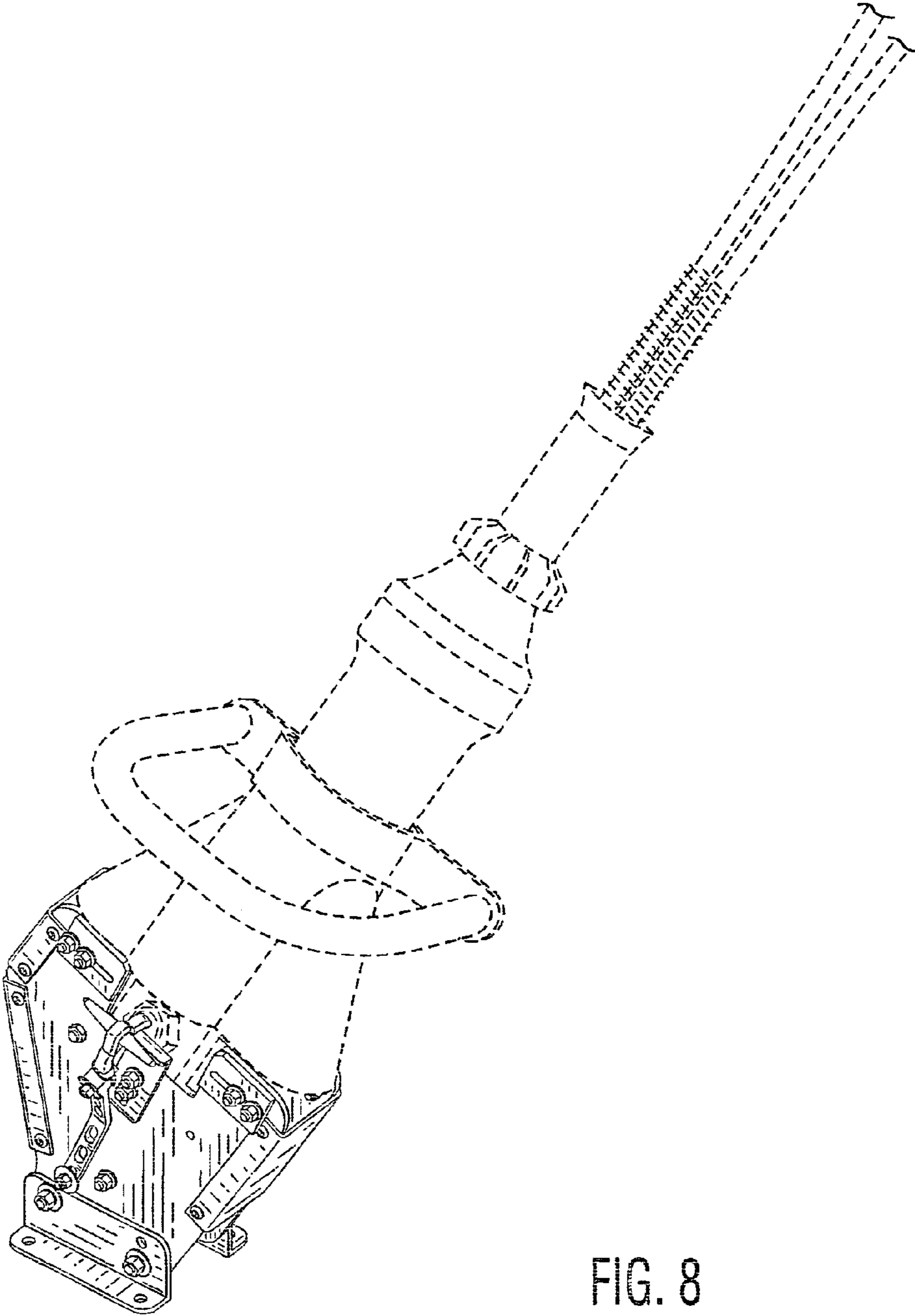


FIG. 8