



US00D741154S

(12) **United States Design Patent**
Brown

(10) **Patent No.:** **US D741,154 S**

(45) **Date of Patent:** **** Oct. 20, 2015**

(54) **WIRE SPOOL GUIDE**

(71) Applicant: **Walter Edward Brown**, Lake Elsinore,
CA (US)

(72) Inventor: **Walter Edward Brown**, Lake Elsinore,
CA (US)

(**) Term: **14 Years**

(21) Appl. No.: **29/517,954**

(22) Filed: **Feb. 18, 2015**

(51) **LOC (10) Cl.** **08-05**

(52) **U.S. Cl.**
USPC **D8/358**

(58) **Field of Classification Search**
USPC D8/44, 358, 60, 314, 499, 382, 360,
D8/359, 349, 380; D6/515; D12/96, 106,
D12/400, 223, 217
CPC B66D 3/006; B66D 3/18; B66D 3/26;
B66D 3/02; B66D 3/14; B63B 21/18; B63B
21/26; B65B 57/005; A61G 7/1051; A61G
7/1061; B65H 16/02; B65H 2301/4131;
B65H 75/4471; B66B 11/08
See application file for complete search history.

(56) **References Cited**

U.S. PATENT DOCUMENTS

D20,530 S *	2/1891	Meeker	D8/358
D32,337 S *	3/1900	Cleff	D8/358
D34,834 S *	7/1901	Plopper	D8/499
3,381,943 A	5/1968	Miller		
3,476,068 A	11/1969	Preston		
3,625,443 A	12/1971	Knowles		
D228,870 S *	10/1973	Allen	D8/44
3,940,089 A	2/1976	Lindquist		
4,179,083 A	12/1979	Hara et al.		
4,301,975 A	11/1981	Camardella		
D265,171 S *	6/1982	Zukaitis	D8/44
4,469,290 A	9/1984	Frentzel-Beyme		

5,048,436 A	9/1991	Thiele		
5,516,059 A	5/1996	Gudgeon et al.		
6,082,278 A	7/2000	Asao et al.		
D447,405 S *	9/2001	Diener	D8/358
D459,195 S *	6/2002	Moutrey	D8/358
6,592,066 B1	7/2003	Hermanns et al.		
7,124,980 B2	10/2006	Giovannoni		
7,219,611 B1	5/2007	Troncoso et al.		
D581,238 S	11/2008	Patti		
D584,471 S	1/2009	Diedericks		
D679,973 S *	4/2013	Burris	D8/44
2005/0115480 A1	6/2005	Kronenberger		
2005/0279265 A1	12/2005	Chien		
2006/0138271 A1	6/2006	Yamazaki et al.		

* cited by examiner

Primary Examiner — Robert M Spear

Assistant Examiner — Eliza Bennett-Hattan

(74) *Attorney, Agent, or Firm* — Kirk A. Buhler; Buhler & Associates

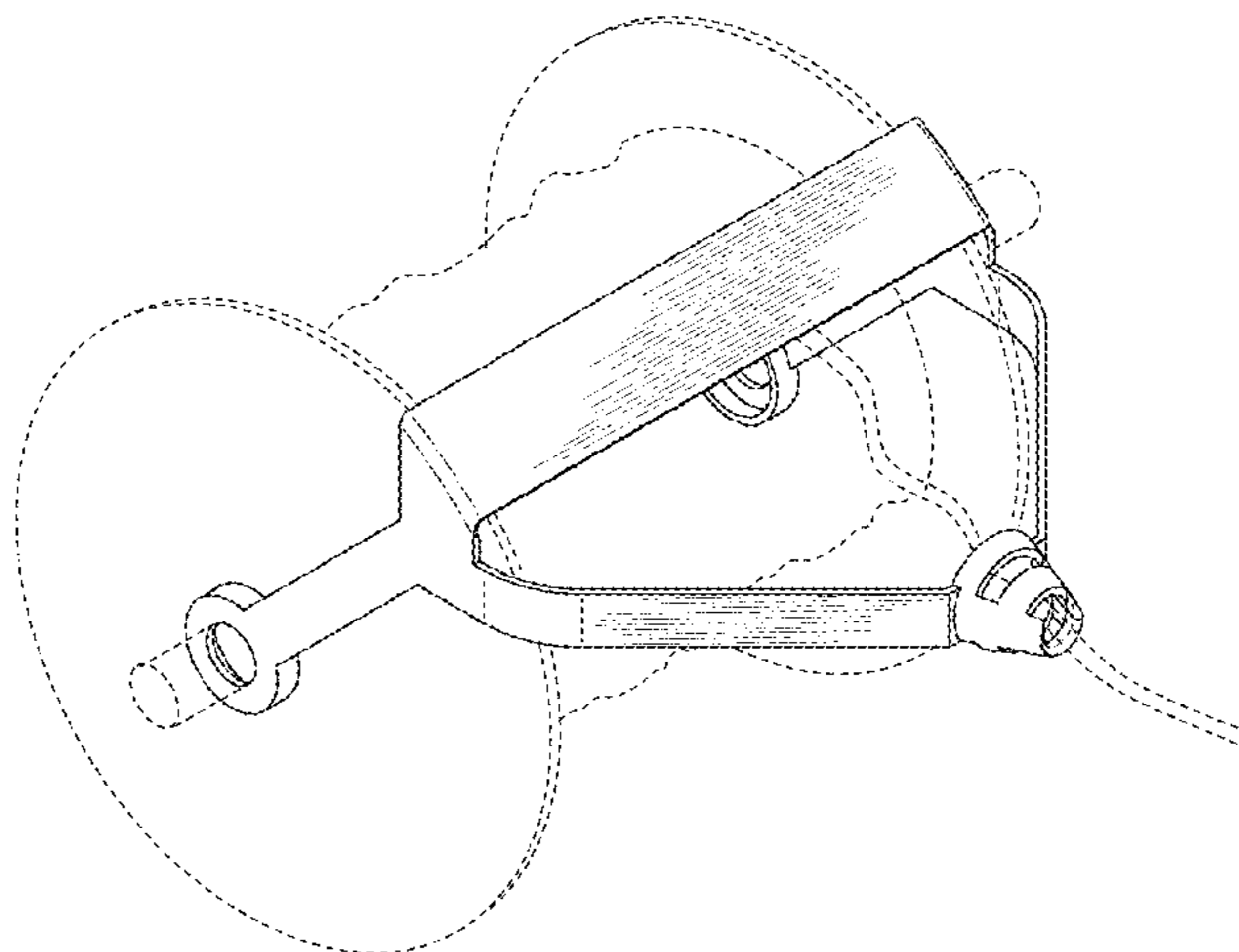
(57) **CLAIM**

The ornamental design for a wire spool guide, as shown and described.

DESCRIPTION

FIG. 1 is a top perspective view for a wire spool guide showing my new design;
FIG. 2 is a front side view thereof;
FIG. 3 is a back side view thereof;
FIG. 4 is a top side view thereof;
FIG. 5 is a bottom side view thereof;
FIG. 6 is a left side view, the right side view being a mirror image thereof;
FIG. 7 is a left sectional view taken along lines 7-7 from FIG. 4 thereof, and,
FIG. 8 is a top perspective view shown in an environment of use.
The broken lines in FIG. 8 depict environmental subject matter and form no part of the claimed design.

1 Claim, 5 Drawing Sheets



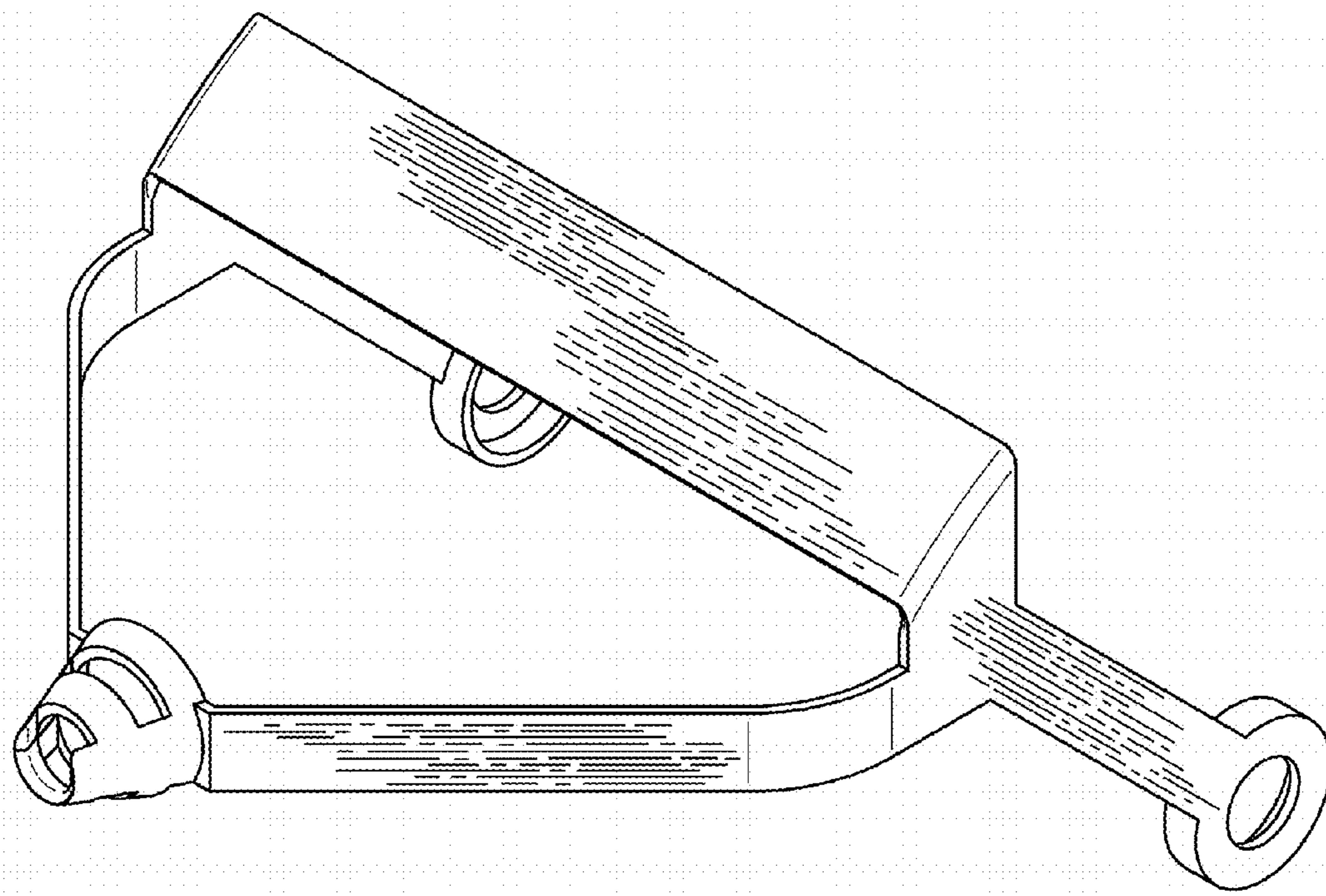


FIG. 1

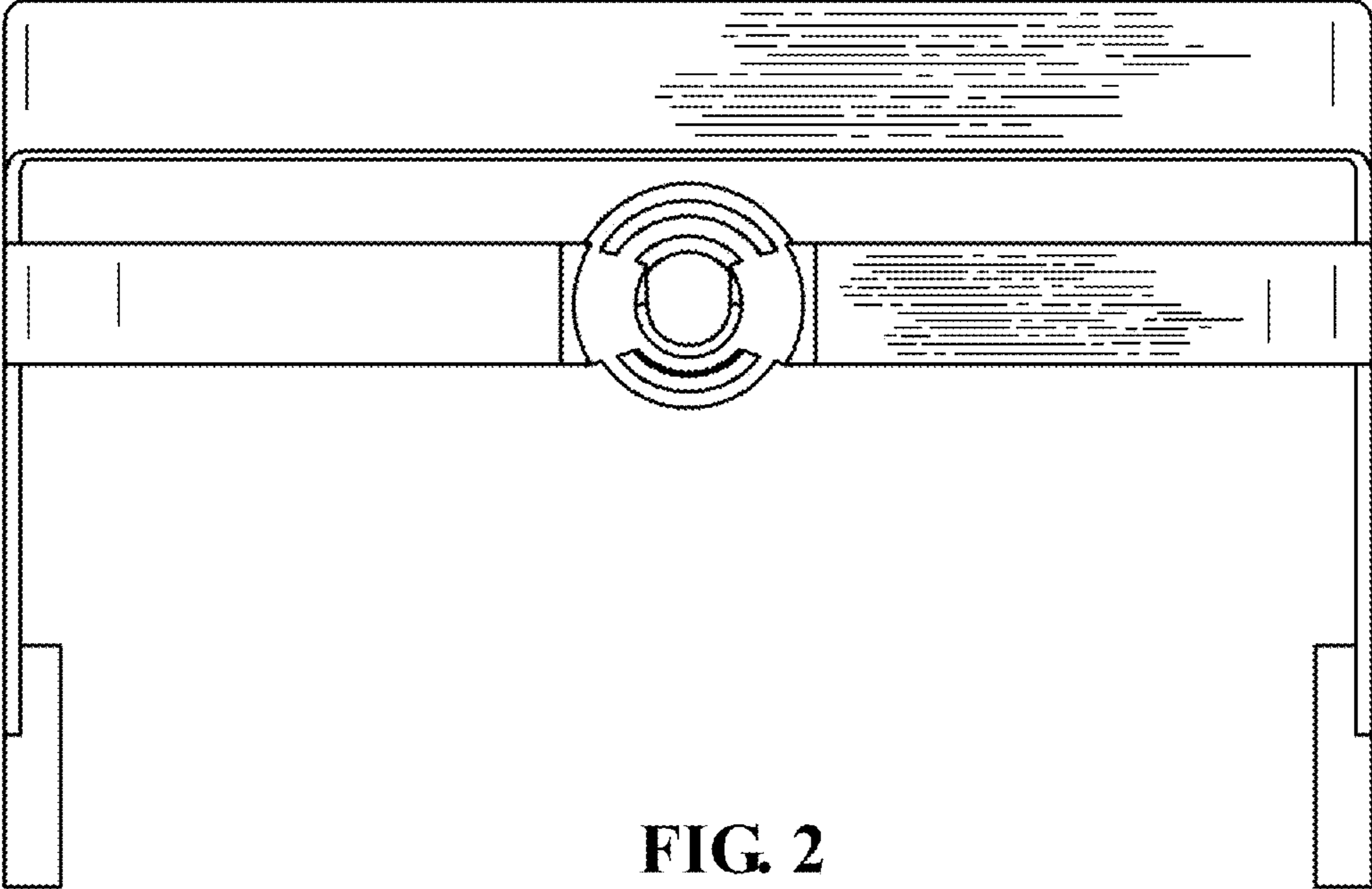


FIG. 2

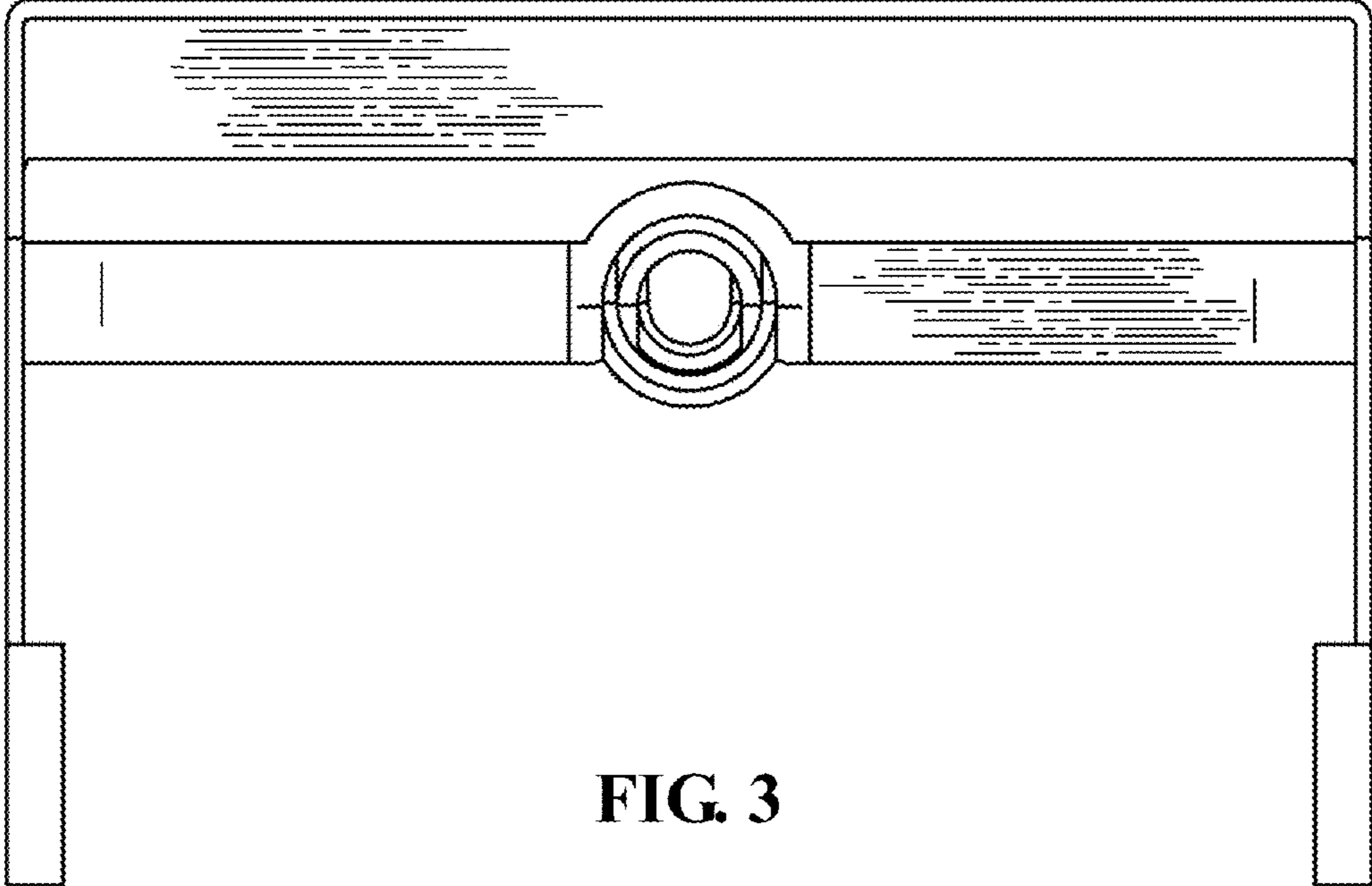


FIG. 3

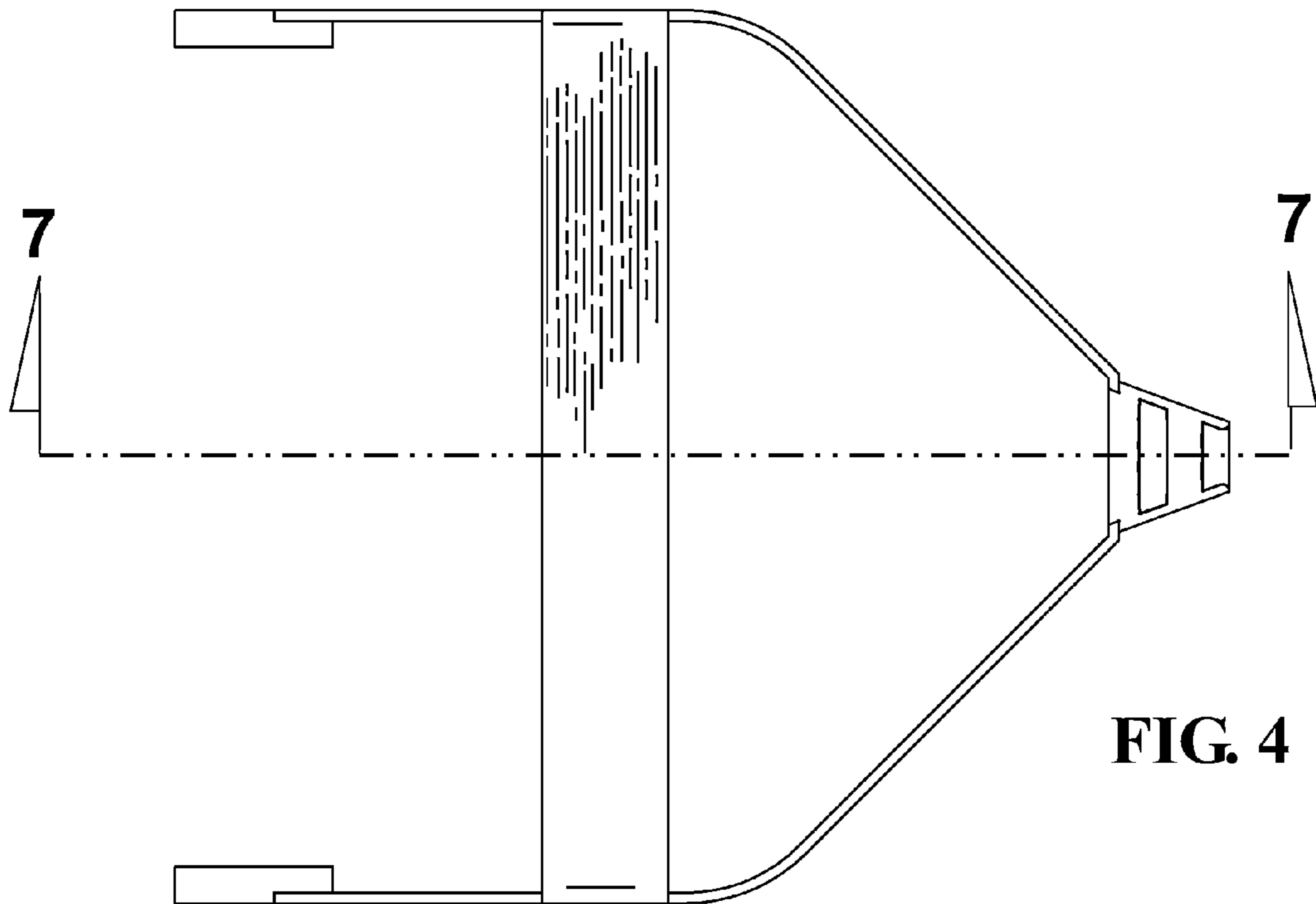


FIG. 4

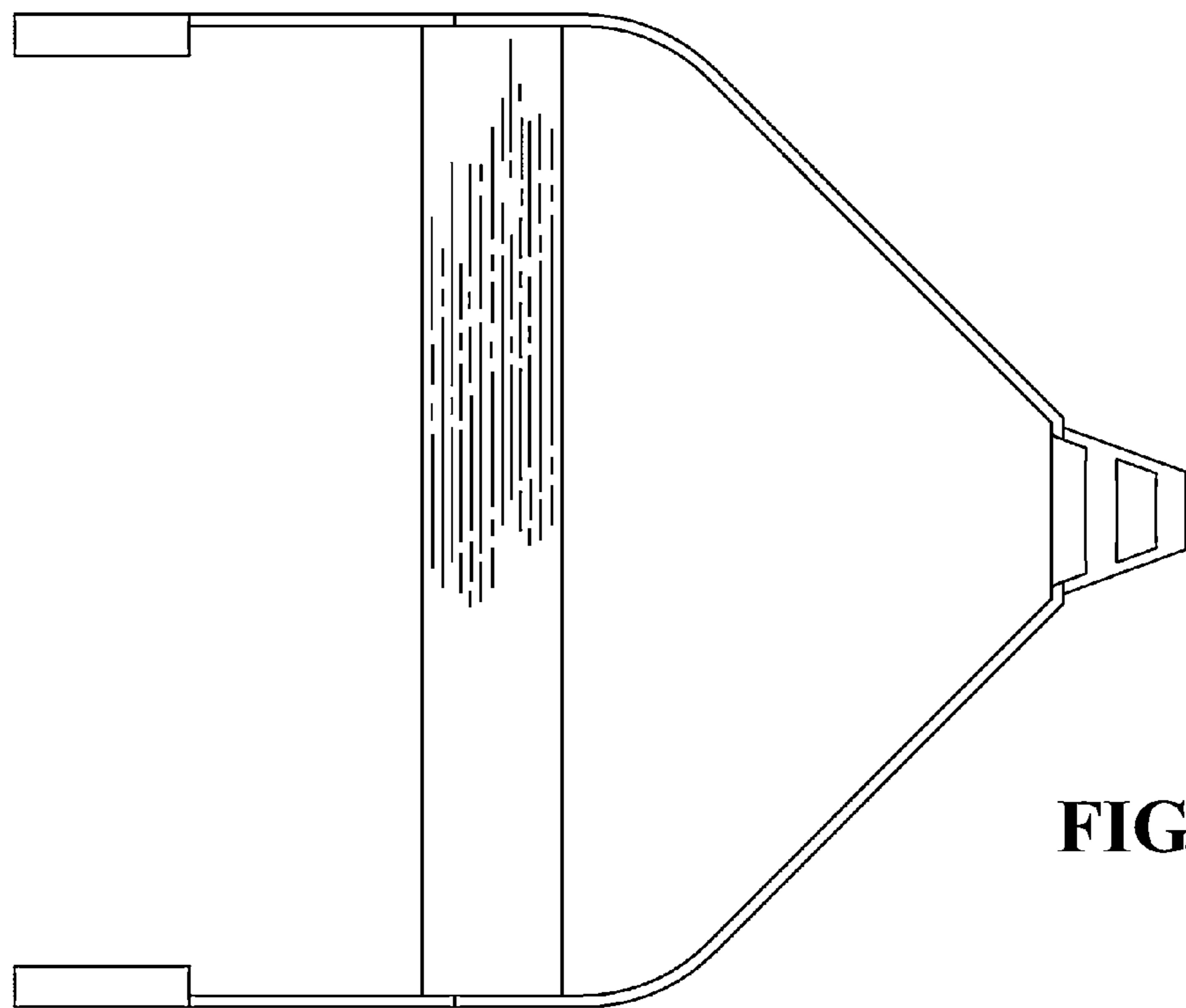


FIG. 5

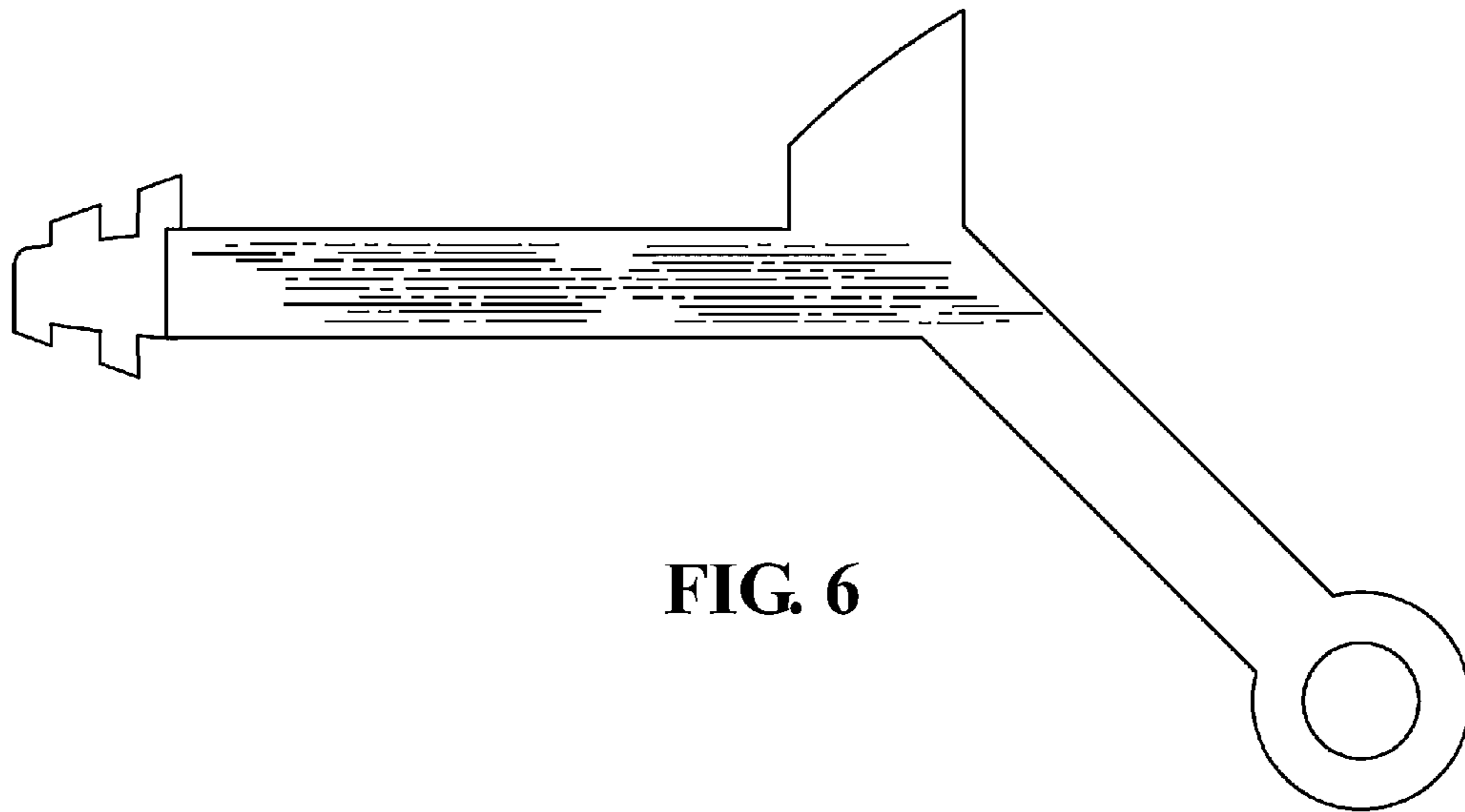


FIG. 6

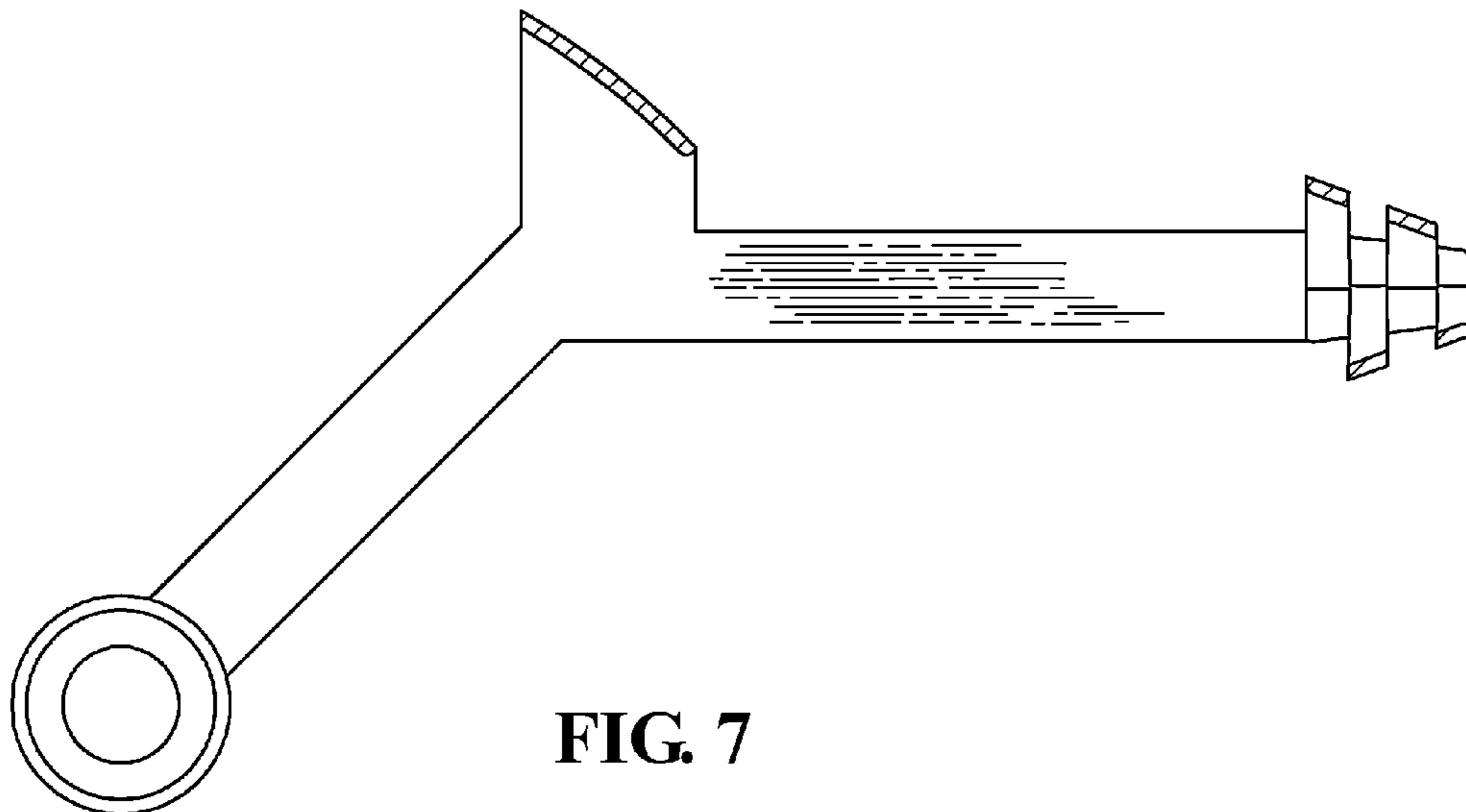


FIG. 7

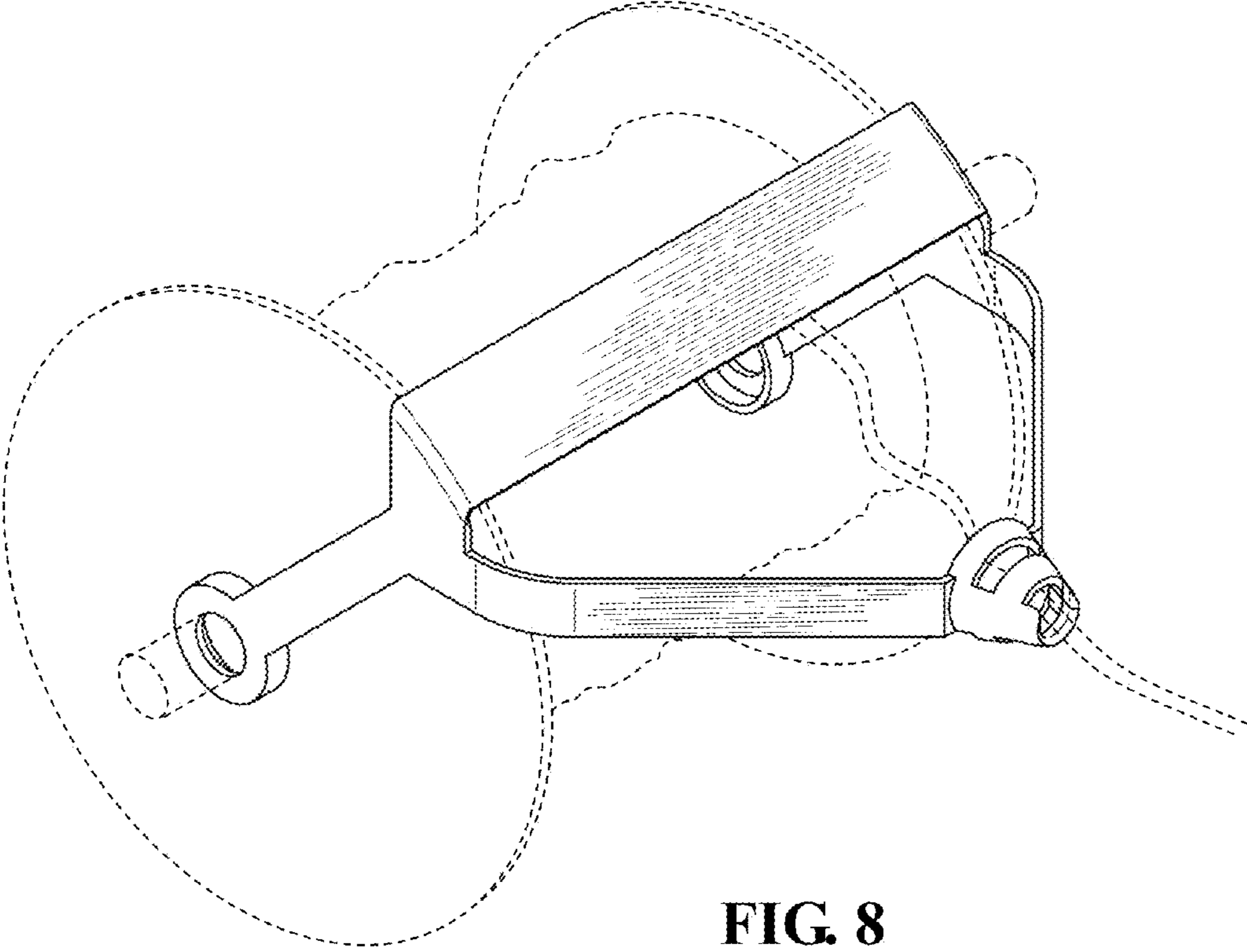


FIG. 8