



US00D741151S

(12) **United States Design Patent**
Iseminger

(10) **Patent No.:** **US D741,151 S**
(45) **Date of Patent:** **** Oct. 20, 2015**

(54) **PIPE SUPPORT**

(71) Applicant: **Dan Iseminger**, Sioux Falls, SD (US)

(72) Inventor: **Dan Iseminger**, Sioux Falls, SD (US)

(**) Term: **14 Years**

(21) Appl. No.: **29/508,925**

(22) Filed: **Nov. 12, 2014**

(51) **LOC (10) Cl.** **08-05**

(52) **U.S. Cl.**
USPC **D8/356**

(58) **Field of Classification Search**
USPC D8/367, 356, 371, 373, 354, 355, 349;
D6/323; D3/24; 248/215, 301, 339,
248/349.1; 160/349.2; 24/265 H, 265 R,
24/599.1, 599.8, 113 R, 573.5; 294/82.18;
29/525.1, 45.3; 223/106; D14/432,
D14/140, 217
CPC A45F 3/00; A63B 27/00
See application file for complete search history.

(56) **References Cited**

U.S. PATENT DOCUMENTS

D321,471 S * 11/1991 Stumpf et al. D8/400
6,431,500 B1 * 8/2002 Jacobs et al. 248/51
D490,692 S * 6/2004 Williams D8/356

D618,985 S * 7/2010 Sjoqvist D8/356
D629,286 S * 12/2010 Laskowski D8/356
D685,624 S * 7/2013 Van Der Blom D8/356
D693,731 S * 11/2013 Dunn D11/184
D693,774 S * 11/2013 Scime D13/155
D704,535 S * 5/2014 Burda D8/356
D715,623 S * 10/2014 Holtby et al. D8/356
2008/0121763 A1 * 5/2008 Mori et al. 248/68.1

* cited by examiner

Primary Examiner — Cynthia Underwood

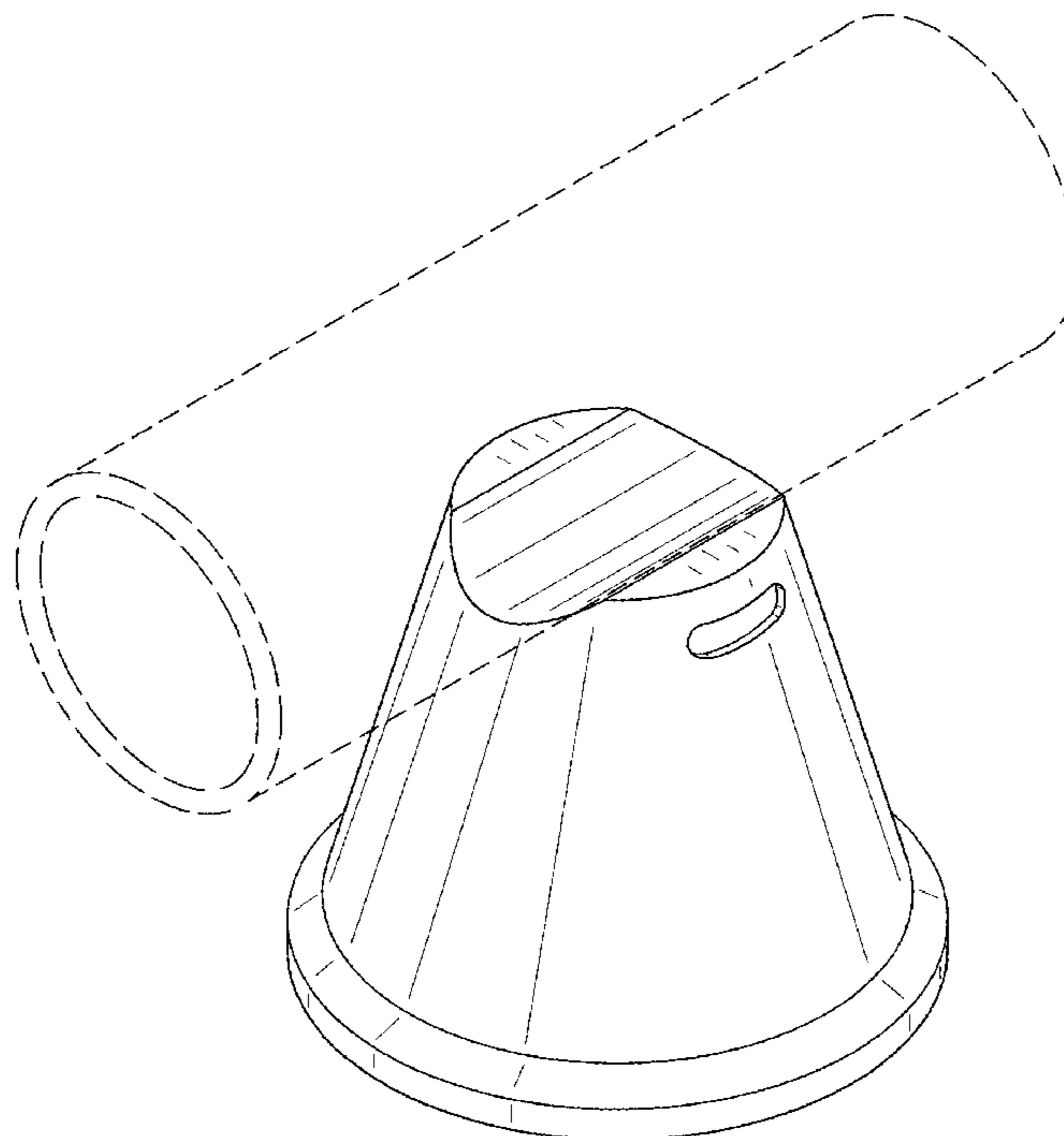
(57) **CLAIM**

The ornamental design for a pipe support, as shown and described.

DESCRIPTION

FIG. 1 is a front view of a pipe support showing my new design, the portions in broken lines for illustrative purposes only and forming no part of the claim;
FIG. 2 is a side view of the pipe support;
FIG. 3 is a top view of the pipe support;
FIG. 4 is a bottom view of the pipe support;
FIG. 5 is a top perspective view of the pipe support shown in an environment of use, the broken lines forming no part of the claim;
FIG. 6 is a bottom perspective view of the pipe support; and,
FIG. 7 is a cross-sectional view of the pipe support taken along line 7-7 in FIG. 3.

1 Claim, 4 Drawing Sheets



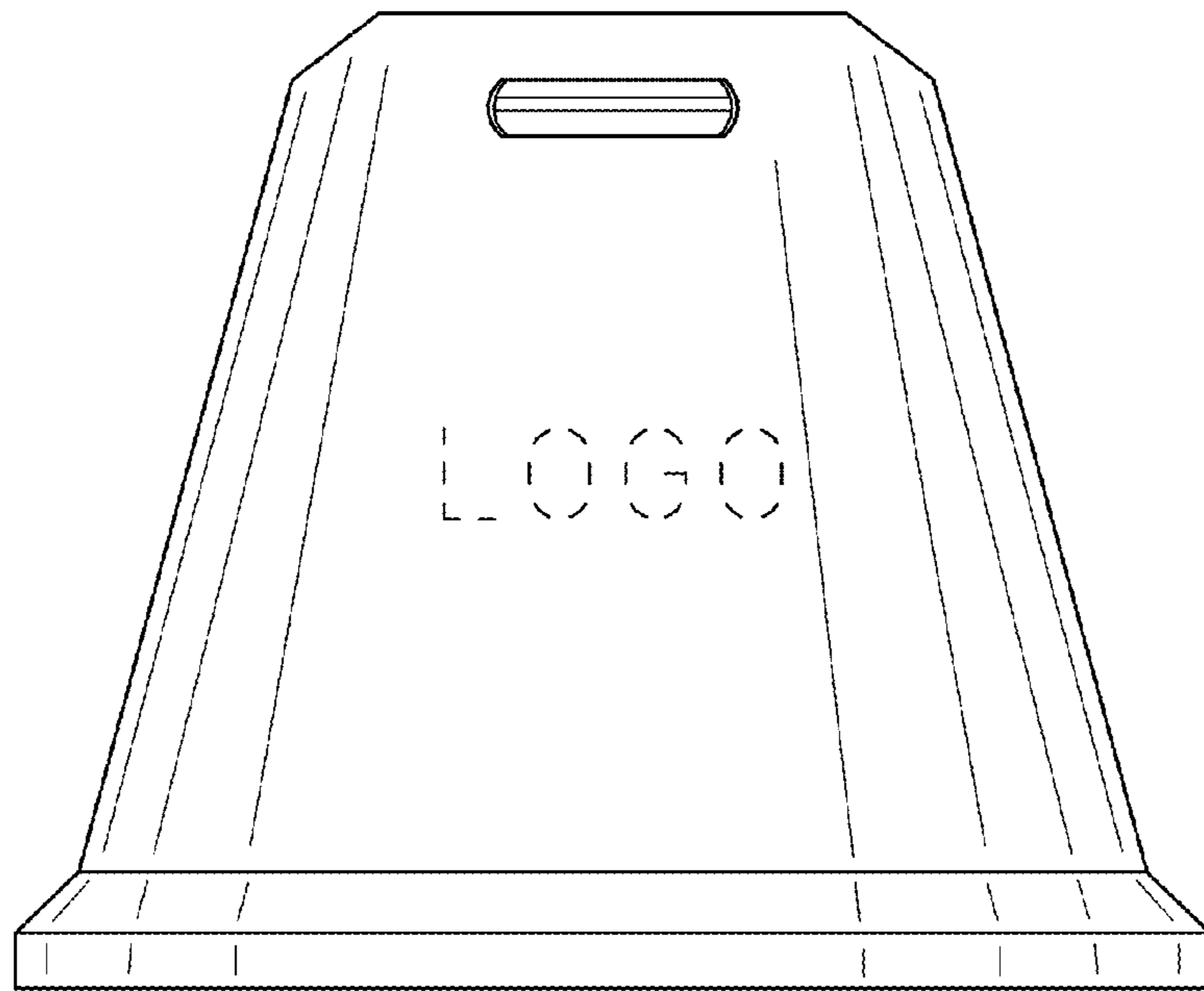


FIG. 1

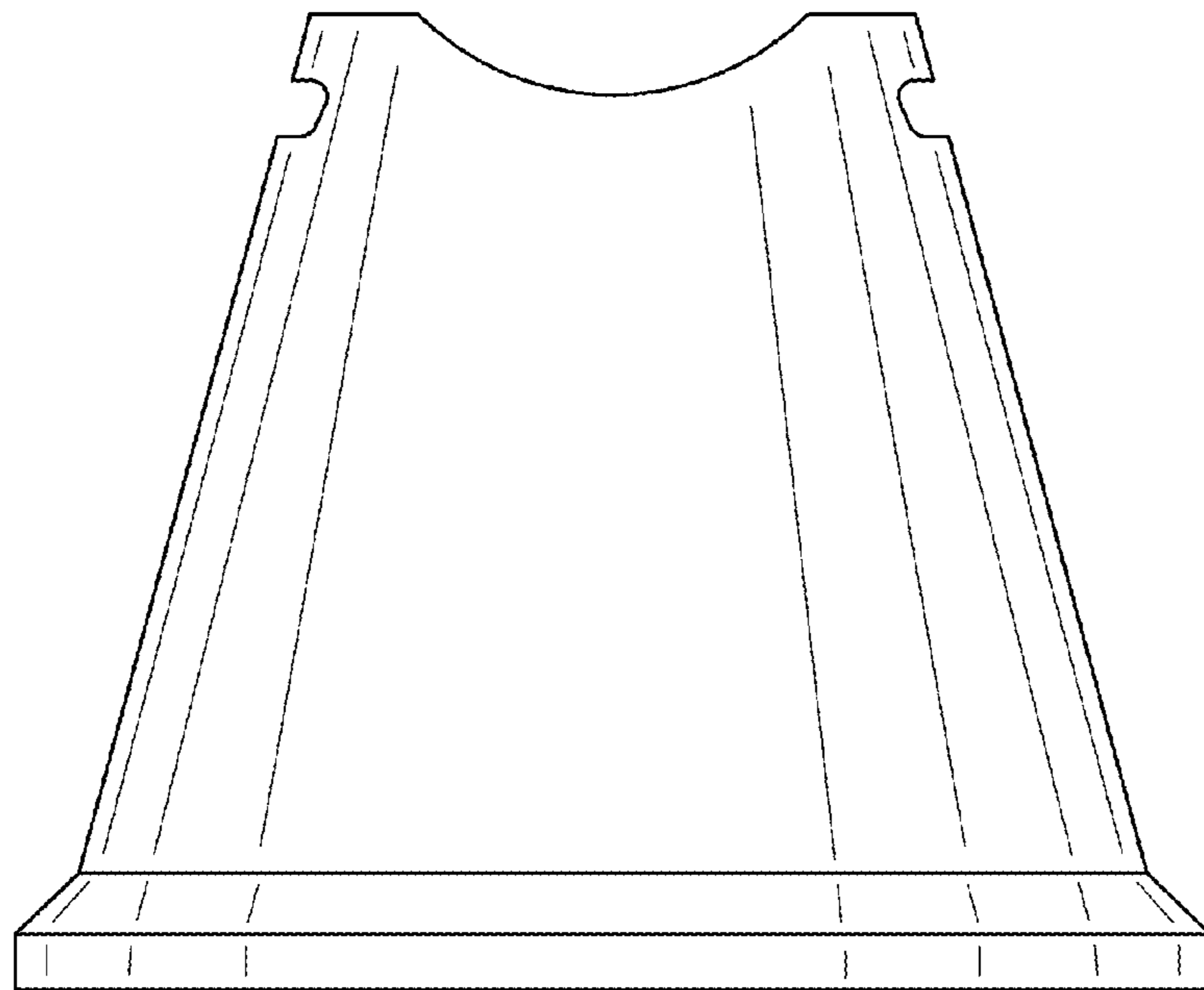


FIG. 2

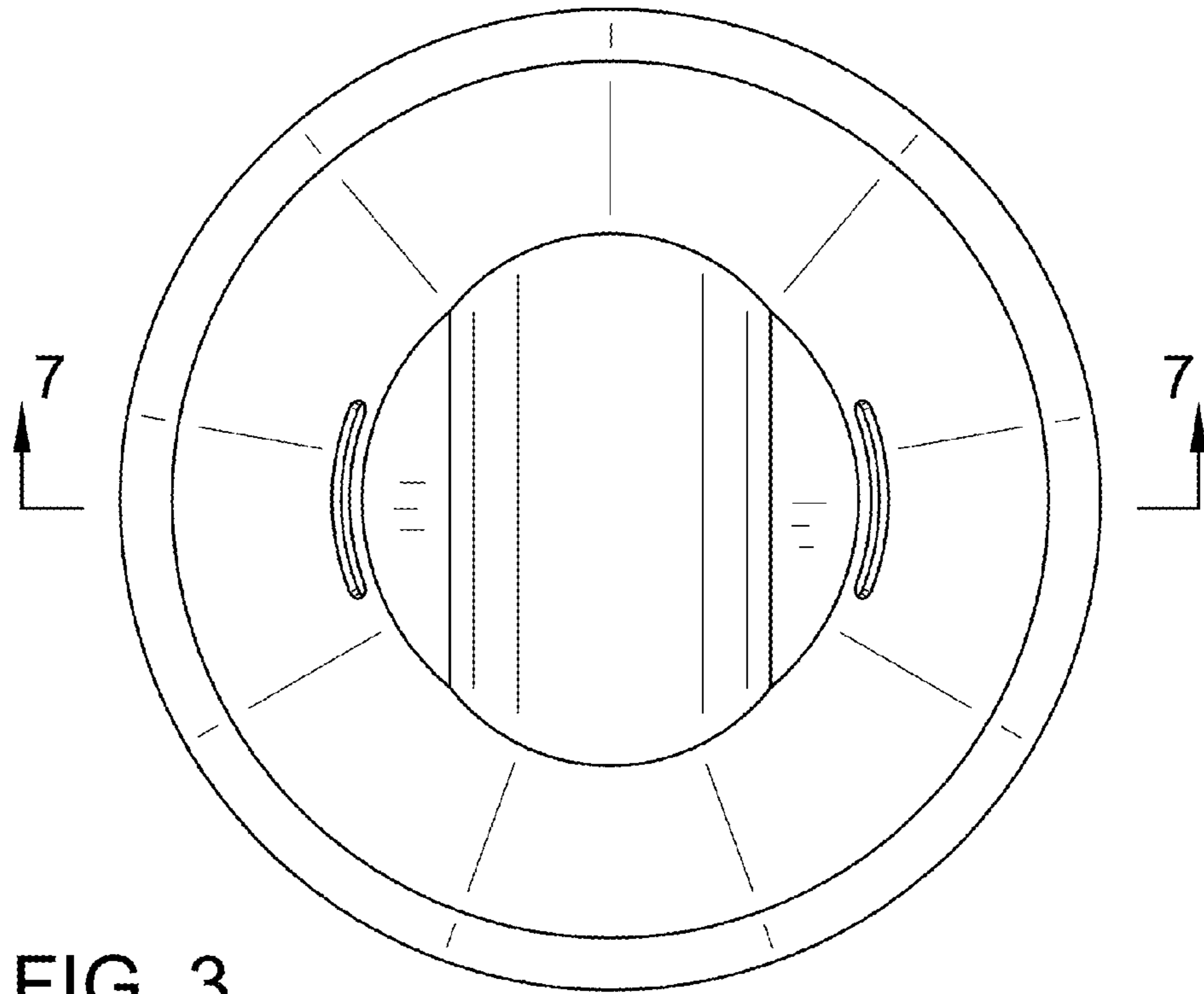


FIG. 3

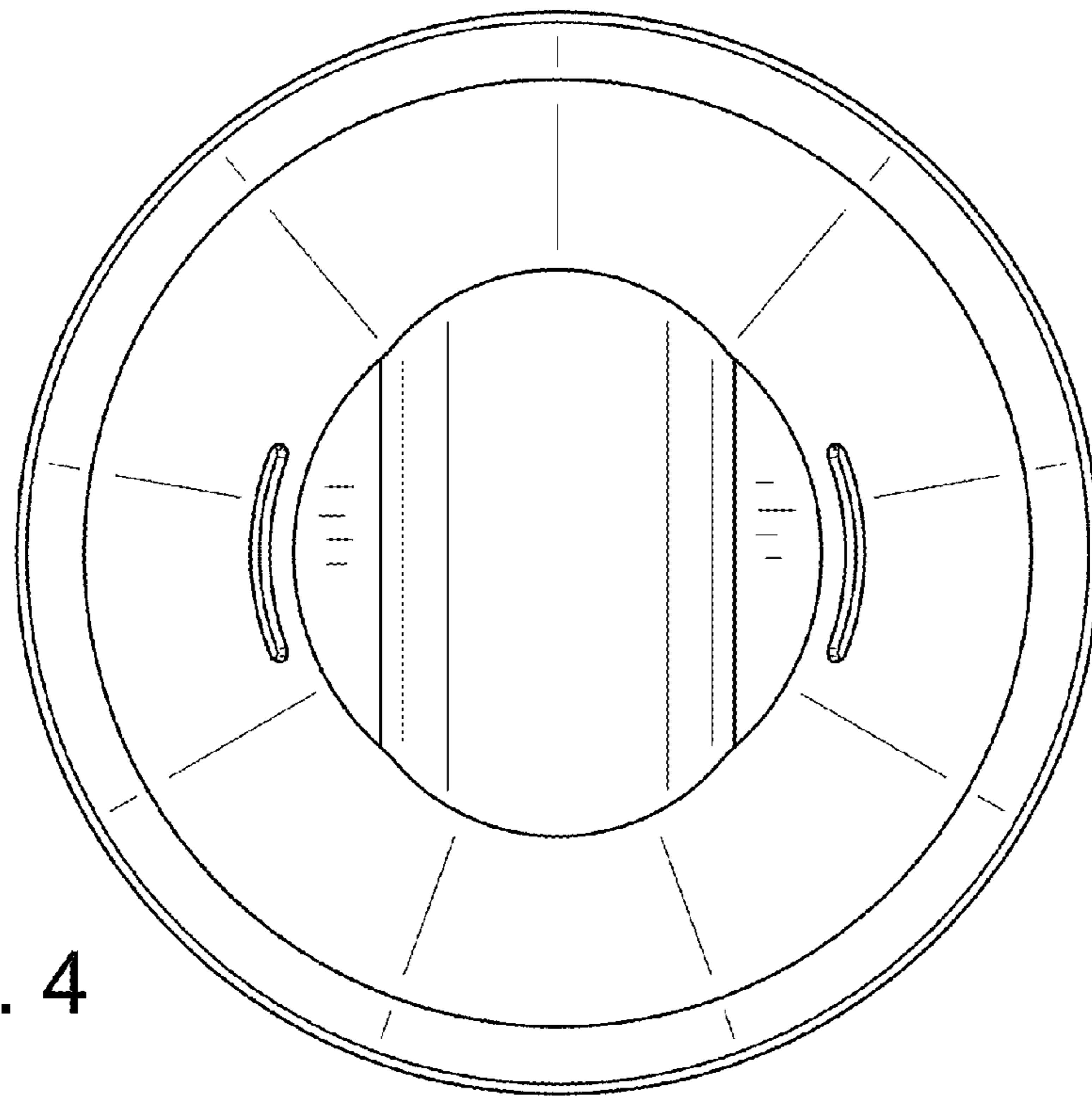


FIG. 4

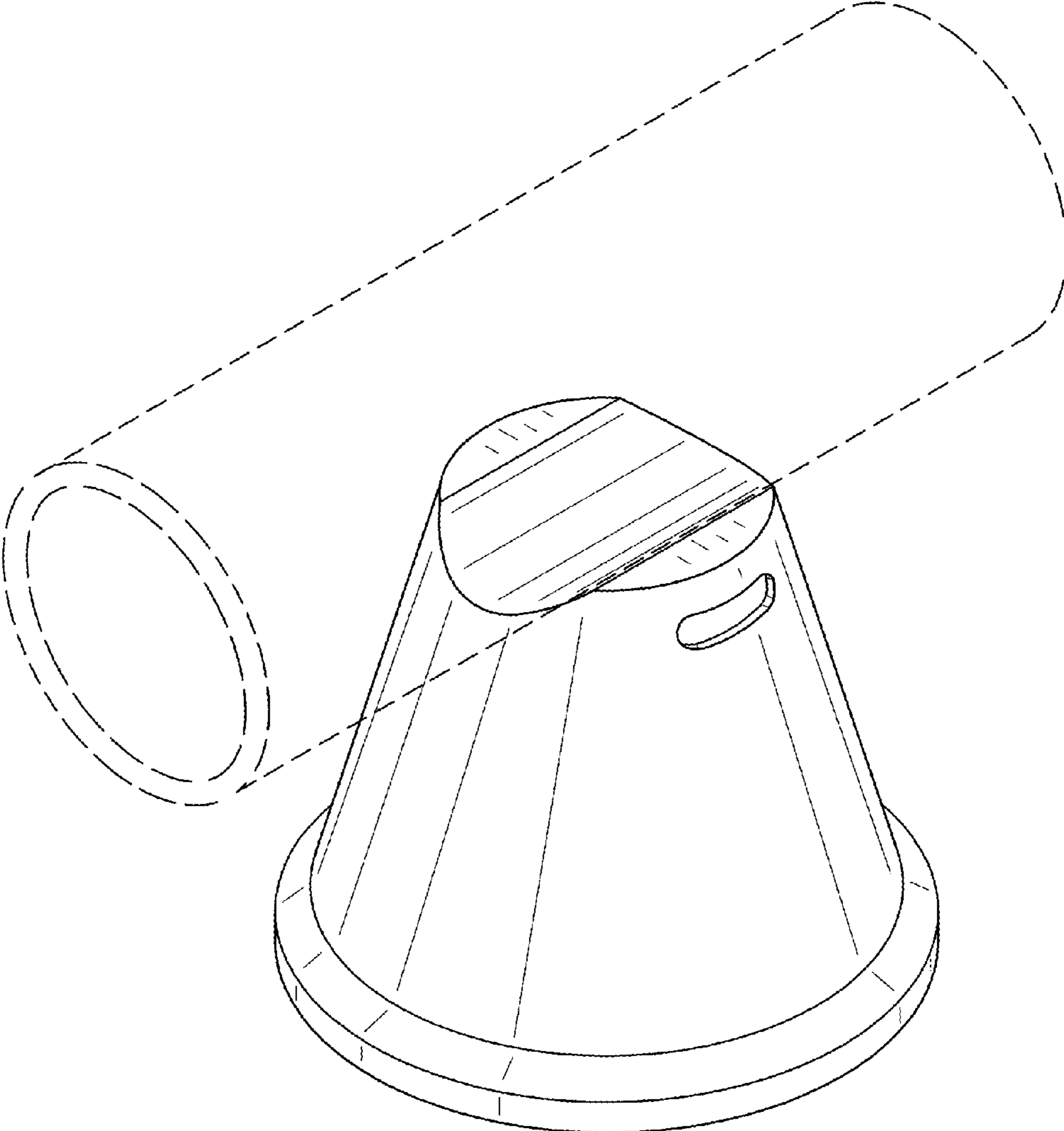


FIG. 5

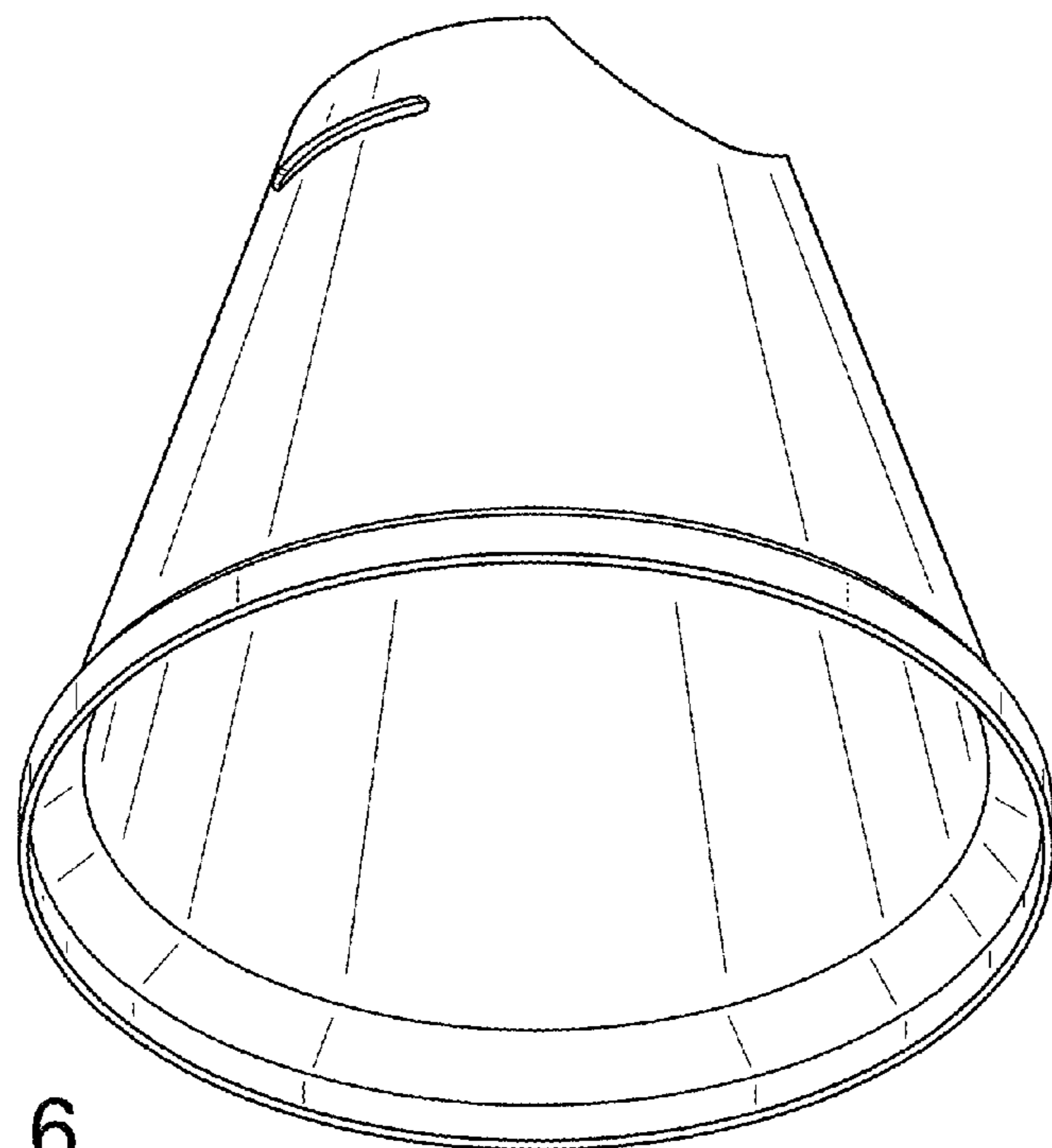


FIG. 6

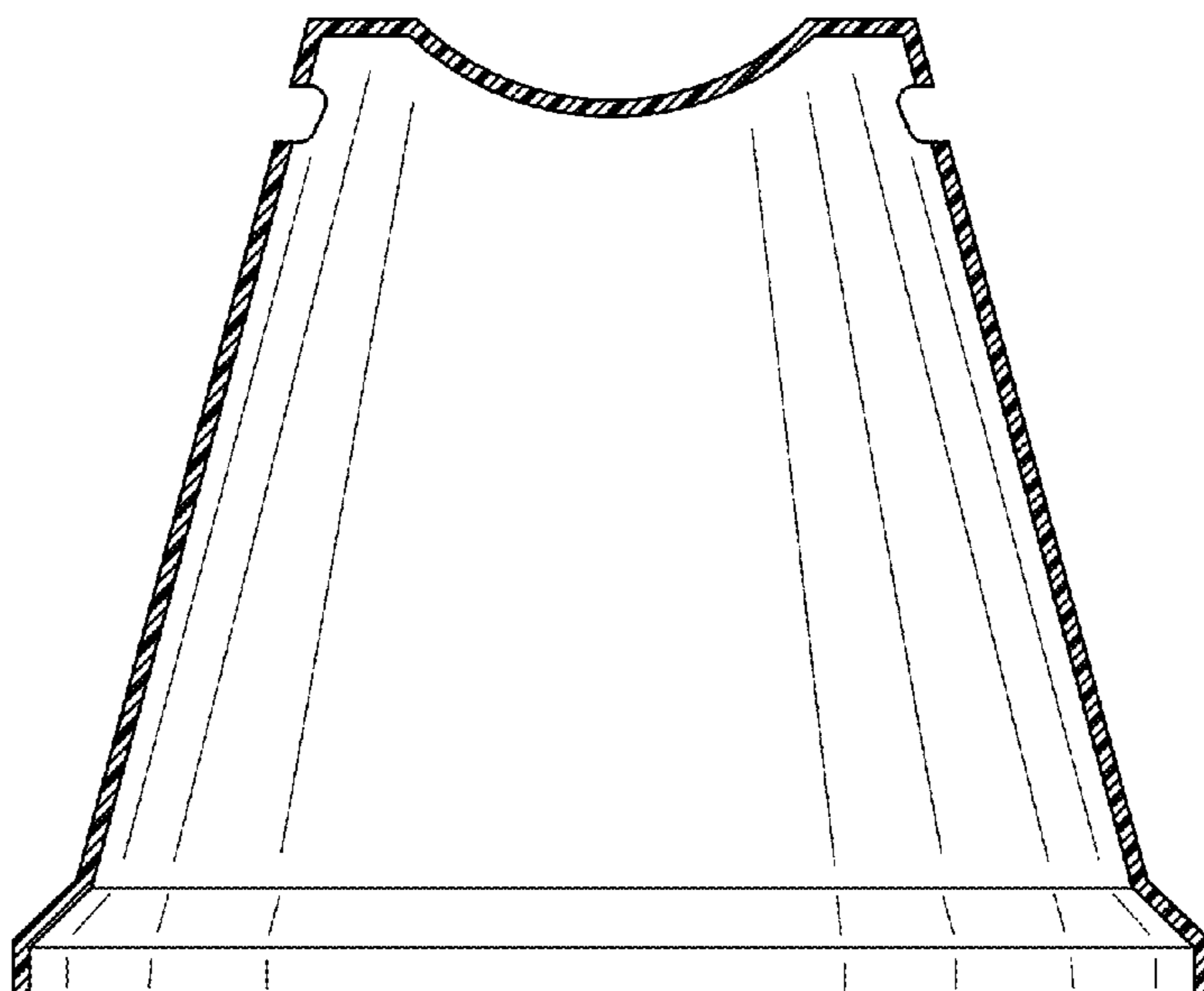


FIG. 7