



US00D741150S

(12) **United States Design Patent**
Bainbridge

(10) **Patent No.:** **US D741,150 S**

(45) **Date of Patent:** **** Oct. 20, 2015**

(54) **CORD LOCK**

(71) Applicant: **James R. Bainbridge**, Marcellus, MI
(US)

(72) Inventor: **James R. Bainbridge**, Marcellus, MI
(US)

(**) Term: **14 Years**

(21) Appl. No.: **29/499,350**

(22) Filed: **Aug. 14, 2014**

Related U.S. Application Data

(62) Division of application No. 29/448,327, filed on Mar. 12, 2013, now Pat. No. Des. 711,725.

(51) **LOC (10) Cl.** **08-05**

(52) **U.S. Cl.**
USPC **D8/356**

(58) **Field of Classification Search**
USPC D8/367, 354, 349, 373, 323, 356, 397;
248/301-304, 339, 205.3, 220.21,
248/220.31; 24/132 R, 367, 354, 356;
211/87.01, 59.1
CPC A47G 1/00; A47G 25/00
See application file for complete search history.

(56) **References Cited**

U.S. PATENT DOCUMENTS

D408,269 S	4/1999	Ross	
D411,950 S	7/1999	Dinh et al.	
D459,194 S	6/2002	Johansson et al.	
D470,034 S *	2/2003	Wu et al.	D8/356
D473,448 S	4/2003	Wu et al.	
D477,770 S *	7/2003	Baker et al.	D8/373
D487,536 S	3/2004	Ågren	
6,709,100 B2 *	3/2004	Kalbach	351/156
D488,372 S	4/2004	Gambrell	
D497,305 S	10/2004	Perri et al.	

D497,793 S	11/2004	Votypka	
D512,904 S	12/2005	Thaler	
7,249,728 B2	7/2007	Williamson	
D576,406 S *	9/2008	Chan	D3/318
D605,032 S	12/2009	Bushey	
D625,986 S	10/2010	Kolasa	
D628,465 S	12/2010	Hernandez	
D629,671 S	12/2010	Ohuri et al.	
D646,555 S	10/2011	Galle	
D671,392 S	11/2012	Von Euler	
D674,380 S	1/2013	Soekoro	
D680,963 S *	4/2013	Purdy	D13/151
D714,619 S *	10/2014	Bainbridge	D8/356
D726,695 S *	4/2015	Cano, Jr.	D14/224
D727,854 S *	4/2015	Chance et al.	D13/156
D728,879 S *	5/2015	Baker	D32/35
D729,177 S *	5/2015	Baldwin et al.	D13/155
D730,717 S *	6/2015	Moreau et al.	D8/343
D730,721 S *	6/2015	Degan	D8/356
D731,874 S *	6/2015	Lin	D8/349

* cited by examiner

Primary Examiner — Cynthia Underwood

(74) *Attorney, Agent, or Firm* — Flynn, Thiel, Boutell & Tanis, P.C.

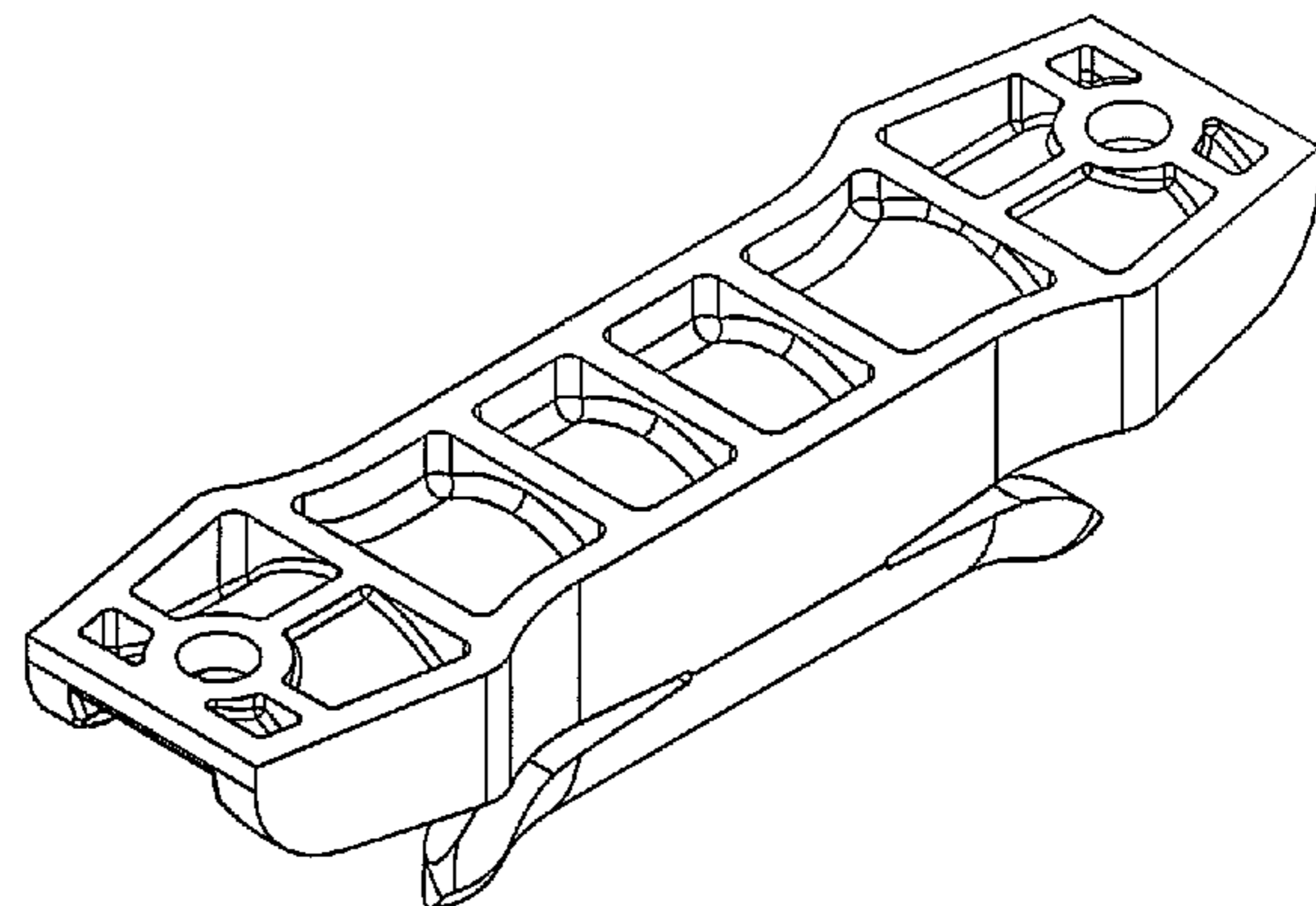
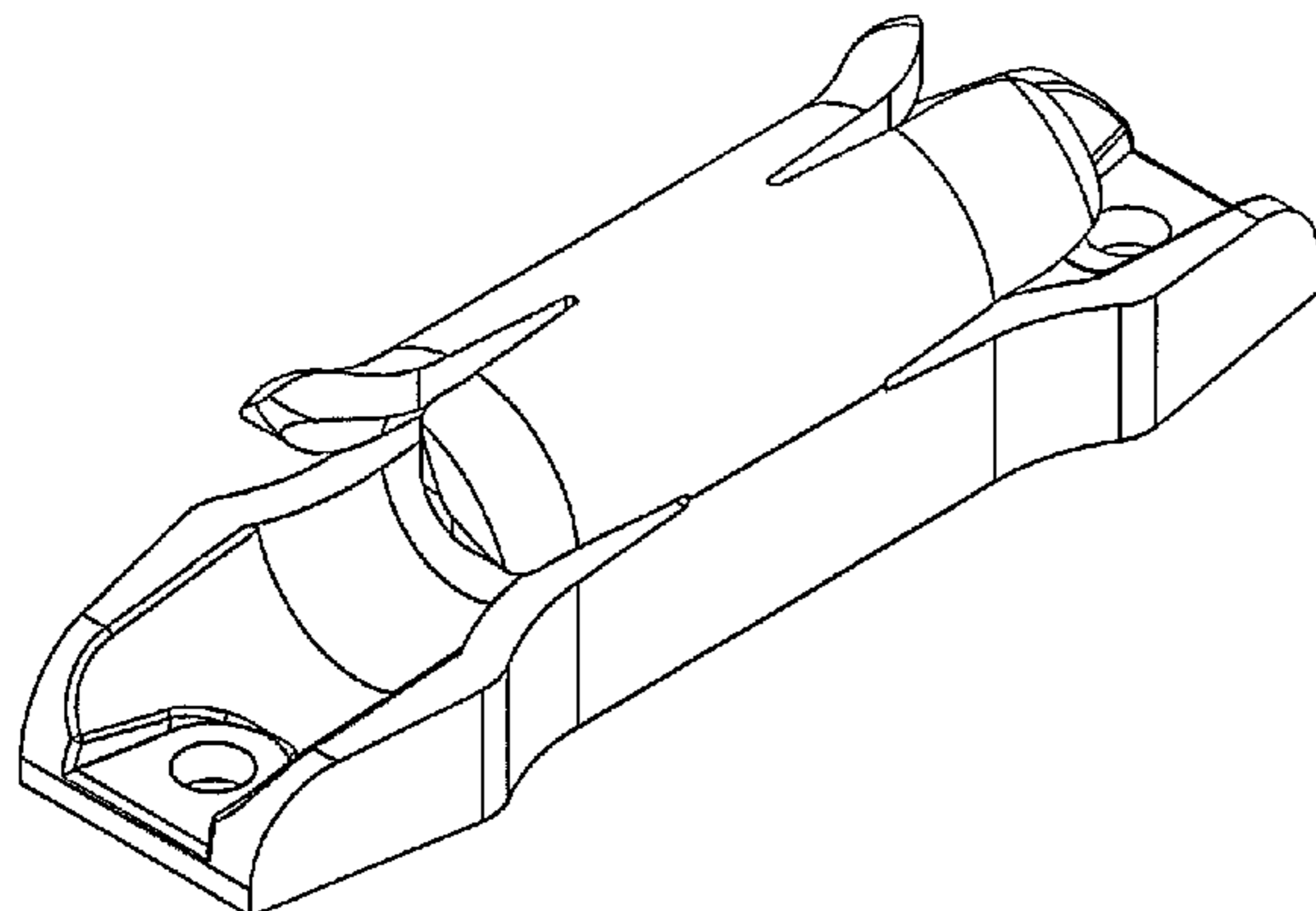
(57) **CLAIM**

The ornamental design for a cord lock, as shown and described.

DESCRIPTION

FIG. 1 is a front, top and left end isometric view of a cord lock; FIG. 2 is a top view thereof; FIG. 3 is a front view, the rear view being a mirror image thereof; FIG. 4 is a left end view, the right end view being a mirror image thereof; FIG. 5 is a rear, bottom and left end isometric view thereof; and, FIG. 6 is a bottom view thereof.

1 Claim, 3 Drawing Sheets



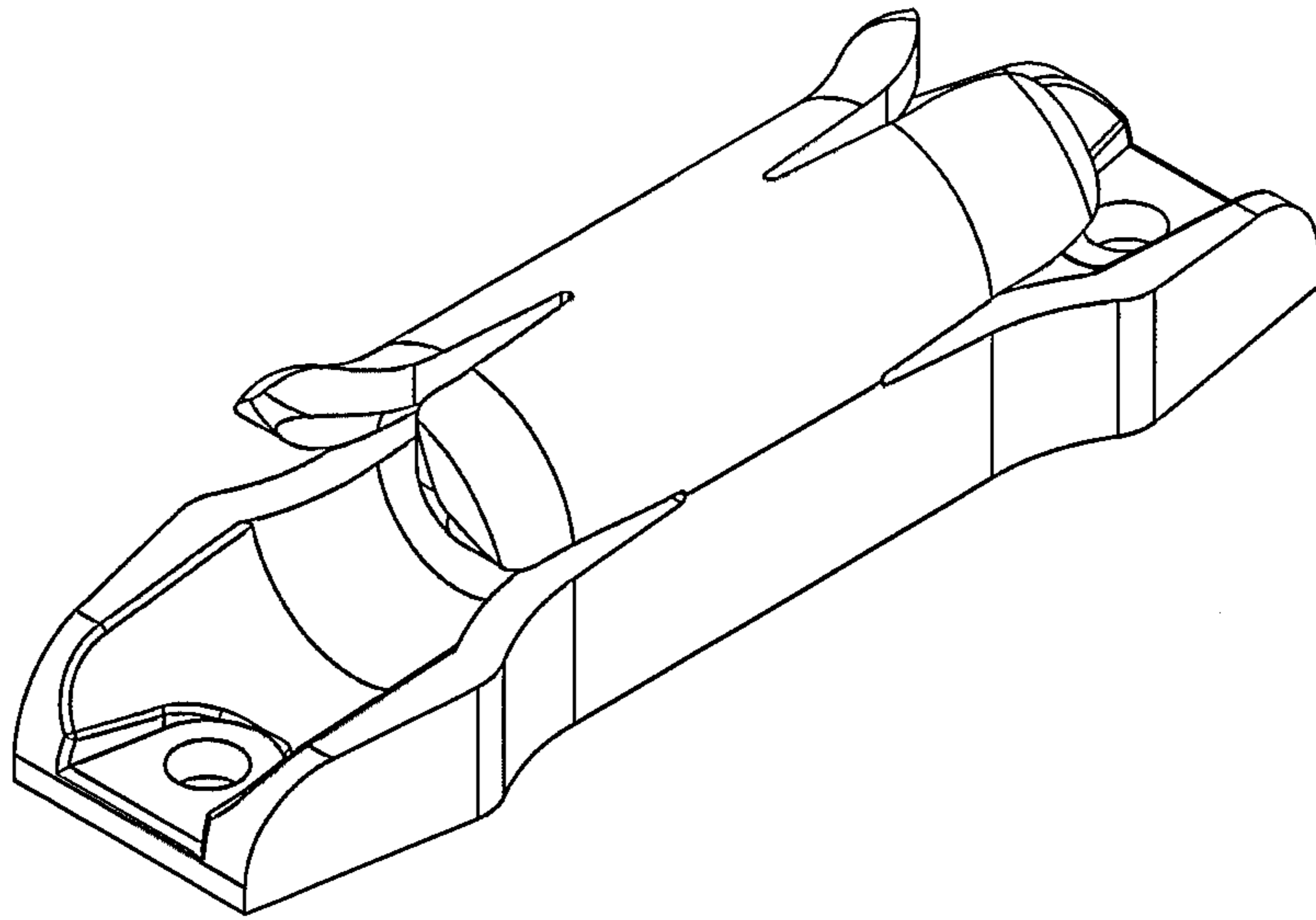


FIG. 1

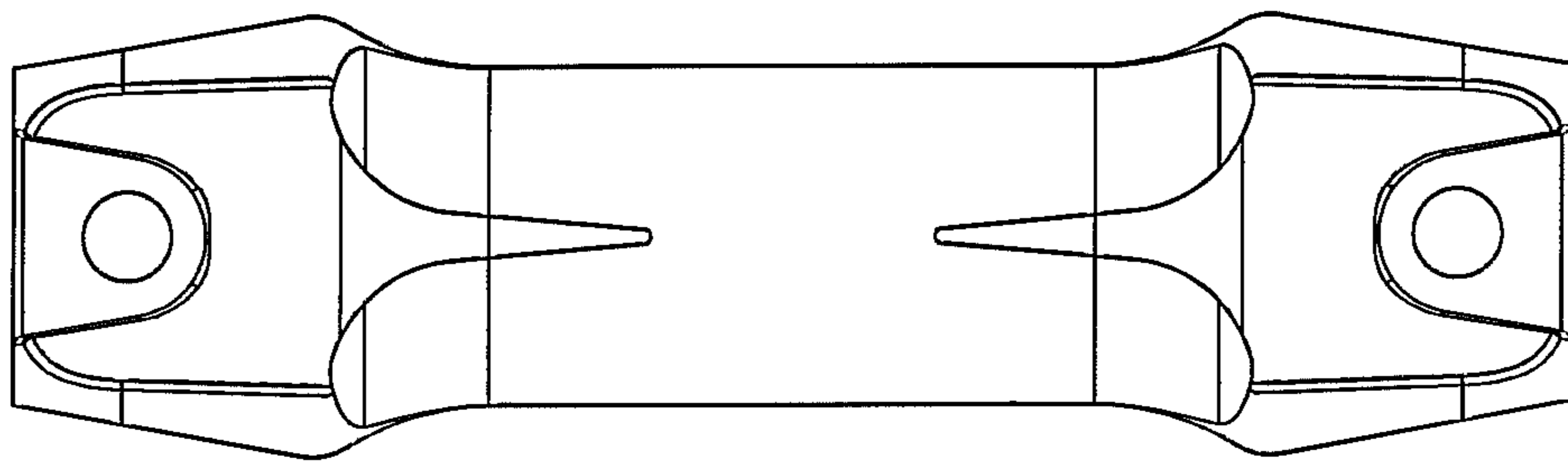


FIG. 2

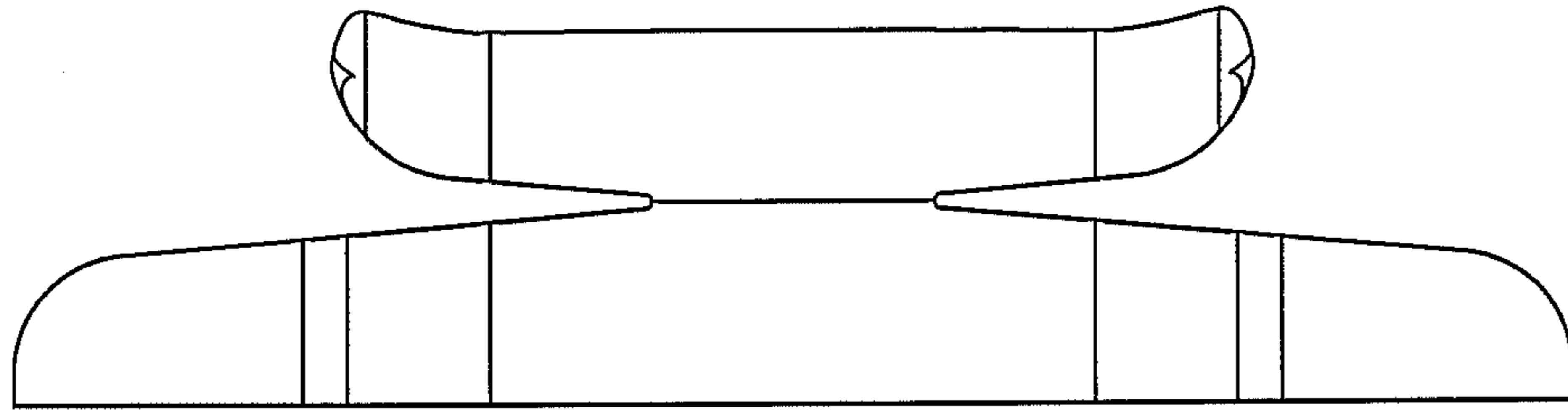


FIG. 3

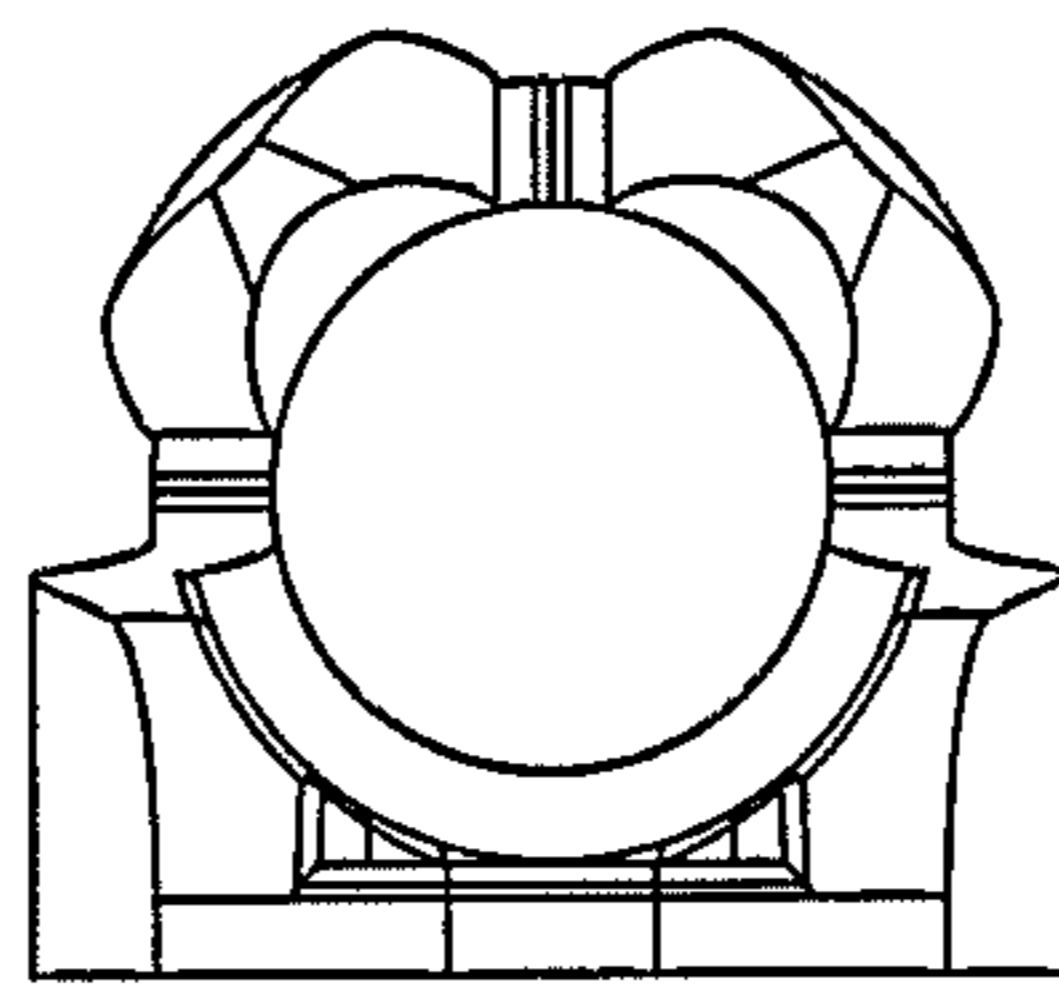


FIG. 4

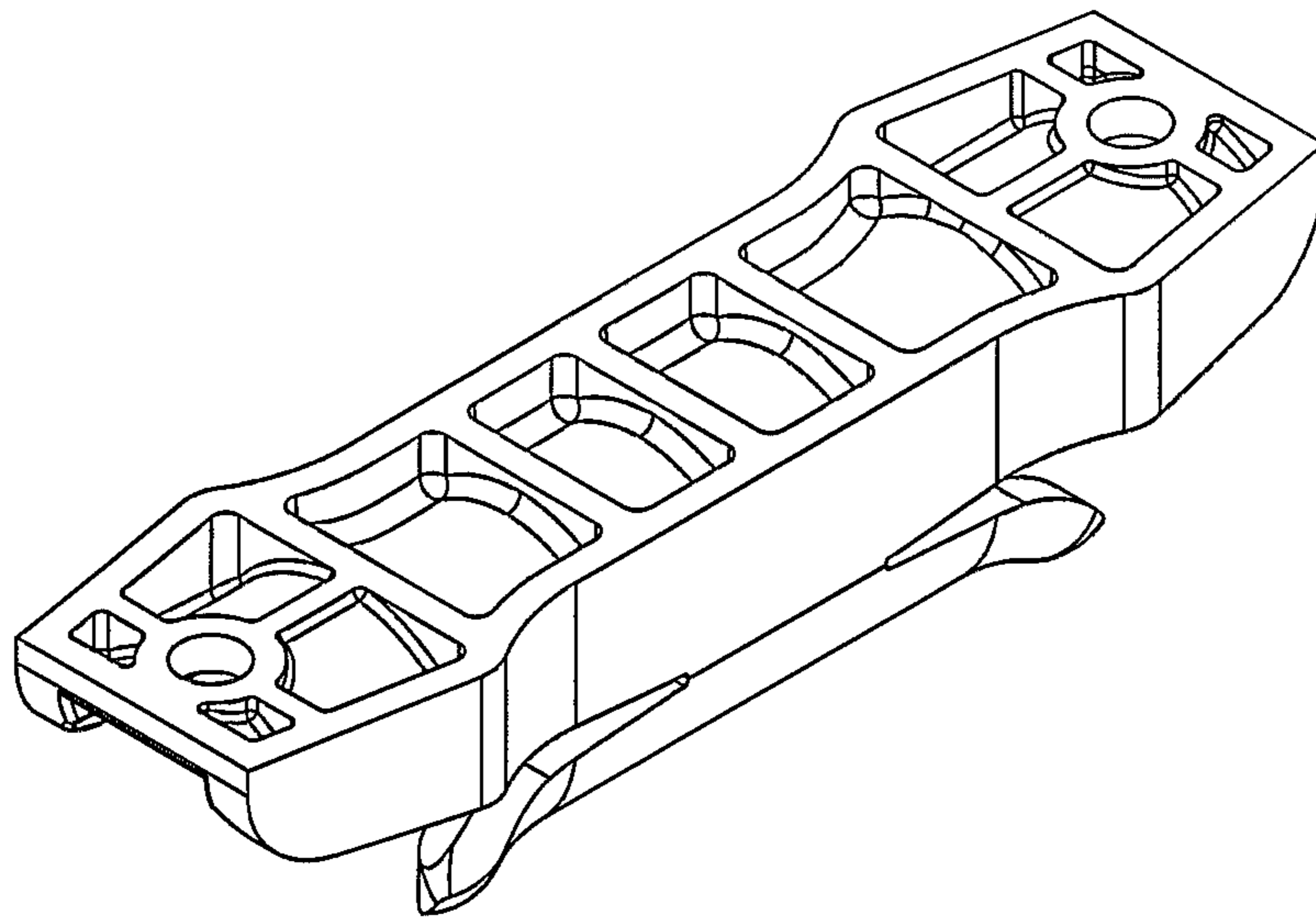


FIG. 5

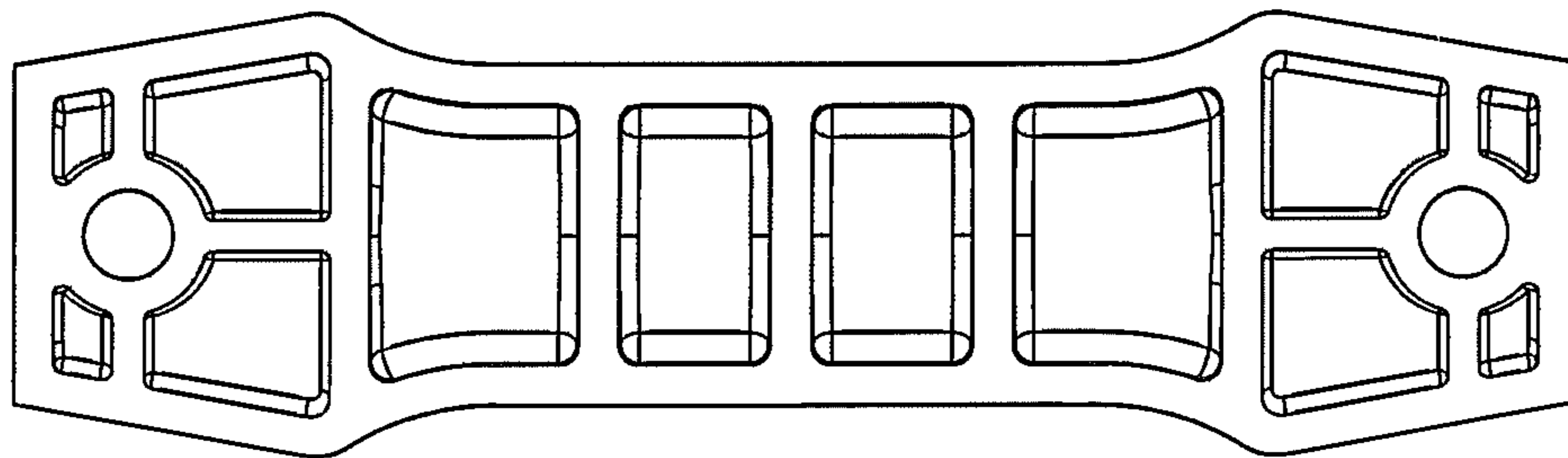


FIG. 6