



US00D741149S

(12) **United States Design Patent**
Koop et al.

(10) **Patent No.:** **US D741,149 S**
(45) **Date of Patent:** **** Oct. 20, 2015**

- (54) **FILAMENT SPOOL**
- (71) Applicant: **Stratasys, Inc.**, Eden Prairie, MN (US)
- (72) Inventors: **Shawn M. Koop**, Baline, MN (US);
Peter D. Schuller, Elko, MN (US)
- (73) Assignee: **Stratasys, Inc.**, Eden Prairie, MN (US)
- (**) Term: **14 Years**
- (21) Appl. No.: **29/497,105**
- (22) Filed: **Jul. 21, 2014**
- (51) **LOC (10) Cl.** **08-05**
- (52) **U.S. Cl.**
USPC **D8/356**
- (58) **Field of Classification Search**
USPC D8/367, 354, 349, 373, 323, 356, 397;
24/132 R, 367, 354, 356; 248/301-304,
248/339, 205.3, 220.21, 220.31; 211/87.01,
211/59.1; D25/133, 128, 131; 52/698, 297,
52/699, 700, 719; 256/65.14
CPC A47G 1/00; A47G 25/00
See application file for complete search history.

6,004,124 A	12/1999	Swanson et al.
6,022,207 A	2/2000	Dahlin et al.
6,054,077 A	4/2000	Comb et al.
D436,111 S	1/2001	Hahn et al.
6,533,216 B1 *	3/2003	Bumgarner et al. 242/603
6,547,995 B1	4/2003	Comb
D474,396 S *	5/2003	Tisbo et al. D8/356
D483,248 S *	12/2003	Roman D8/359
6,685,866 B2	2/2004	Swanson et al.
6,722,872 B1	4/2004	Swanson et al.
6,776,602 B2	8/2004	Swanson et al.
6,783,093 B2 *	8/2004	Limber 242/405.2
6,814,907 B1	11/2004	Comb
6,866,807 B2	3/2005	Comb et al.
6,923,634 B2	8/2005	Swanson et al.
7,169,337 B2	1/2007	Swanson et al.
7,172,715 B2	2/2007	Swanson et al.
D551,061 S *	9/2007	English et al. D8/359
D554,480 S *	11/2007	Richwine et al. D8/359
D554,984 S *	11/2007	Stenberg D8/499
D556,023 S *	11/2007	Reeder et al. D8/358
7,297,304 B2	11/2007	Swanson et al.

(Continued)

Primary Examiner — Cynthia Underwood
(74) *Attorney, Agent, or Firm* — Westman, Champlin & Koehler, P.A.

(57) **CLAIM**
The ornamental design for a filament spool, as shown and described.

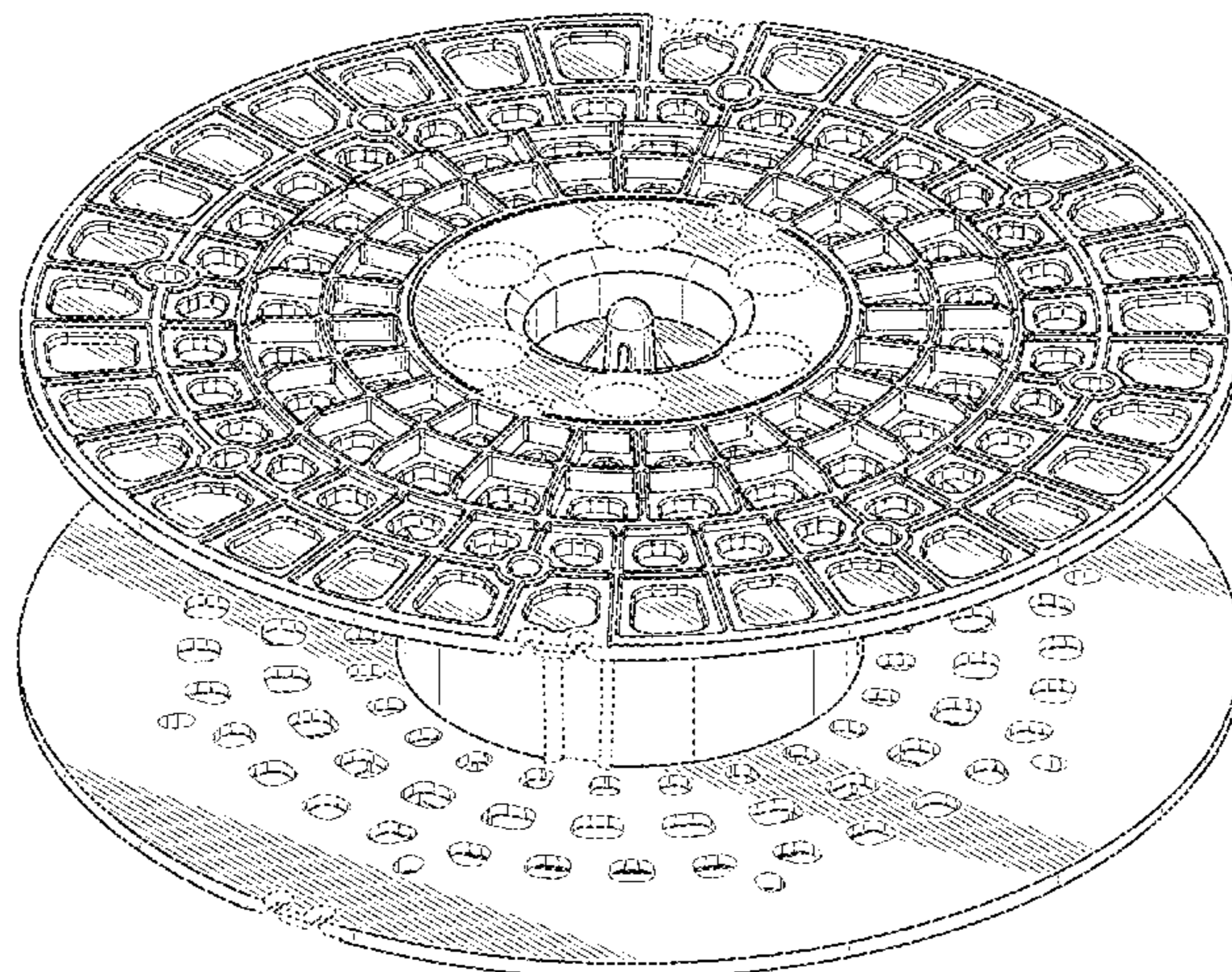
(56) **References Cited**
U.S. PATENT DOCUMENTS

D29,104 S *	7/1898	Donner D8/358
3,942,741 A *	3/1976	Hussar et al. 242/118.7
5,121,329 A	6/1992	Crump
D341,770 S *	11/1993	Spear et al. D8/359
D349,039 S *	7/1994	Goodman et al. D8/359
5,340,433 A	8/1994	Crump
5,503,785 A	4/1996	Crump et al.
D390,449 S *	2/1998	Whitehead et al. D8/359
D393,409 S *	4/1998	Azzarello D8/356
D400,083 S *	10/1998	Bodine D8/359
5,866,058 A	2/1999	Batchelder et al.
5,939,008 A	8/1999	Comb et al.
5,968,591 A	10/1999	Christensen

DESCRIPTION

FIG. 1 is a top perspective view of a filament spool;
FIG. 2 is a top view thereof, where a bottom view is identical to the top view;
FIG. 3 is a front view thereof, where a rear view is identical to the front view; and,
FIG. 4 is a right side view thereof, where a left side view is identical to the right side view.
The features shown in broken lines illustrate environmental subject matter only, and form no part of the claimed design.

1 Claim, 3 Drawing Sheets



(56)

References Cited

U.S. PATENT DOCUMENTS

D557,118 S *	12/2007	Linginfelter	D8/358	D606,998 S	12/2009	Taatjes et al.	
D559,085 S *	1/2008	Yu	D8/358	D618,086 S	6/2010	Taatjes et al.	
7,341,214 B2	3/2008	Taatjes et al.		D628,466 S	12/2010	Taatjes et al.	
7,374,712 B2	5/2008	Swanson et al.		D633,916 S	3/2011	Taatjes et al.	
D582,754 S *	12/2008	Stein	D8/358	D636,253 S *	4/2011	Hatcher et al.	D8/356
D582,755 S *	12/2008	Rogers et al.	D8/358	7,938,351 B2	5/2011	Taatjes et al.	
D598,733 S	8/2009	Taatjes et al.		7,938,356 B2	5/2011	Taatjes et al.	
D598,922 S	8/2009	Taatjes et al.		D650,787 S	12/2011	Taatjes et al.	
D604,020 S *	11/2009	Blaszczak et al.	D34/14	D654,778 S *	2/2012	Hines et al.	D8/356
D606,845 S	12/2009	Taatjes et al.		D663,191 S	7/2012	Taatjes et al.	
				2009/0263582 A1	10/2009	Batchelder	
				2010/0283172 A1	11/2010	Swanson	

* cited by examiner

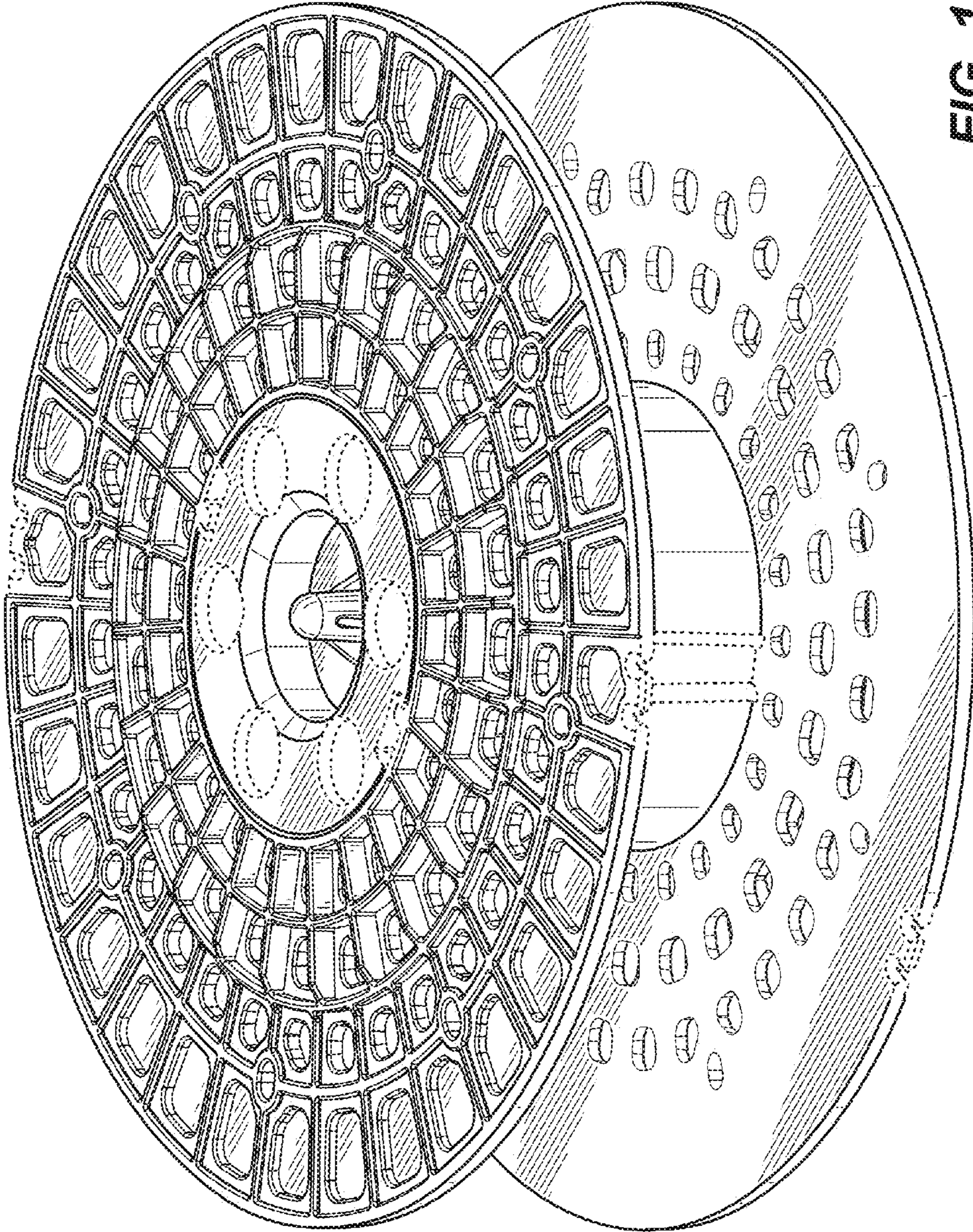


FIG. 1

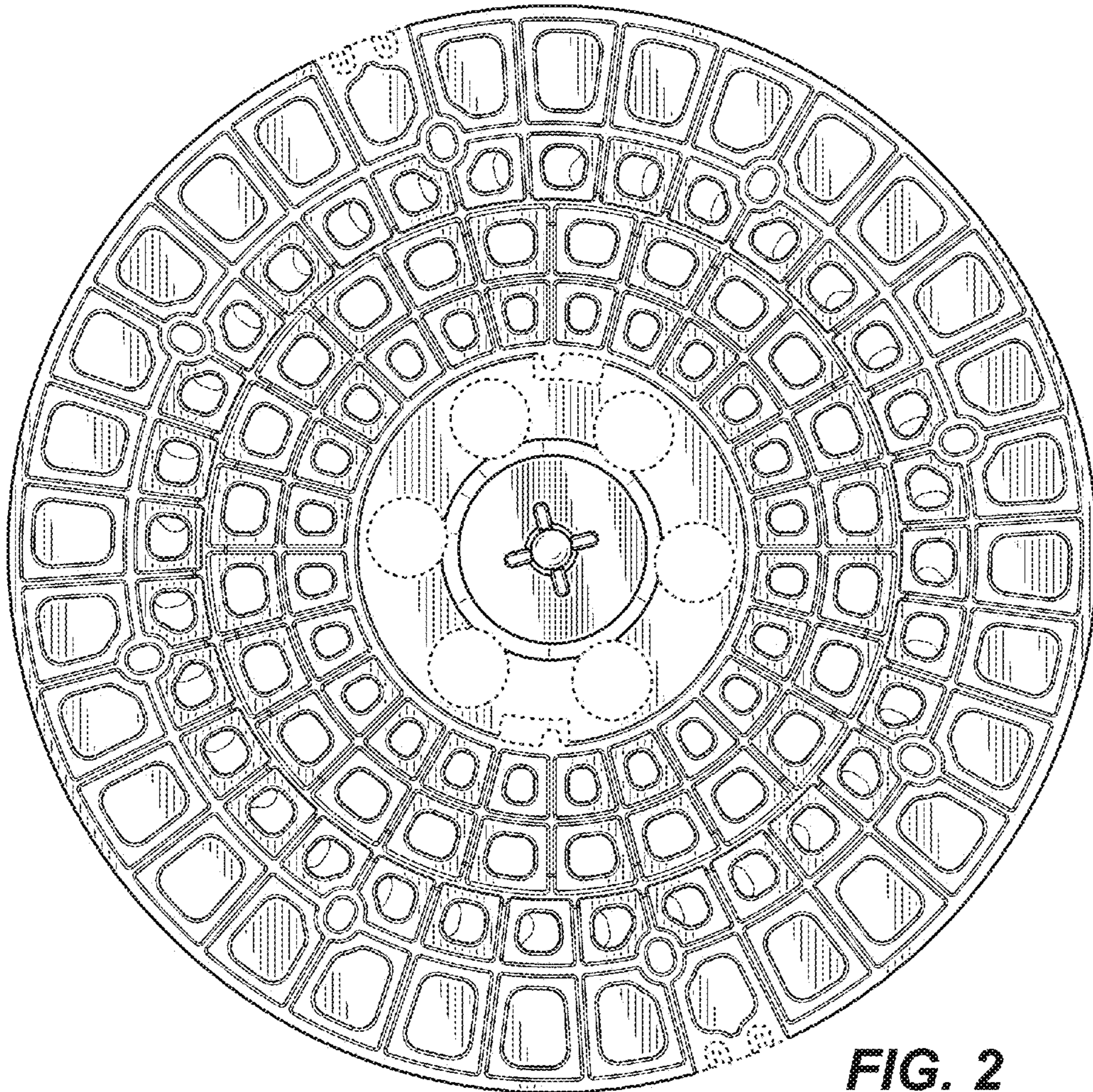


FIG. 2

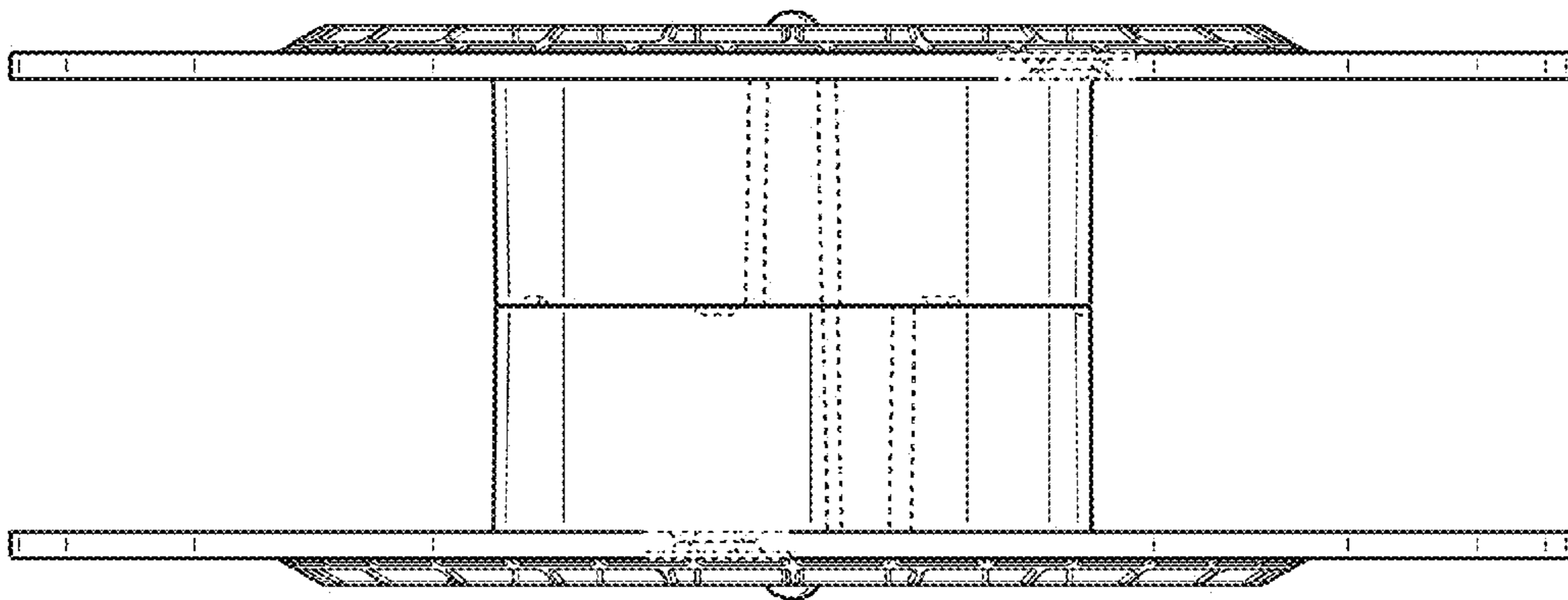


FIG. 3

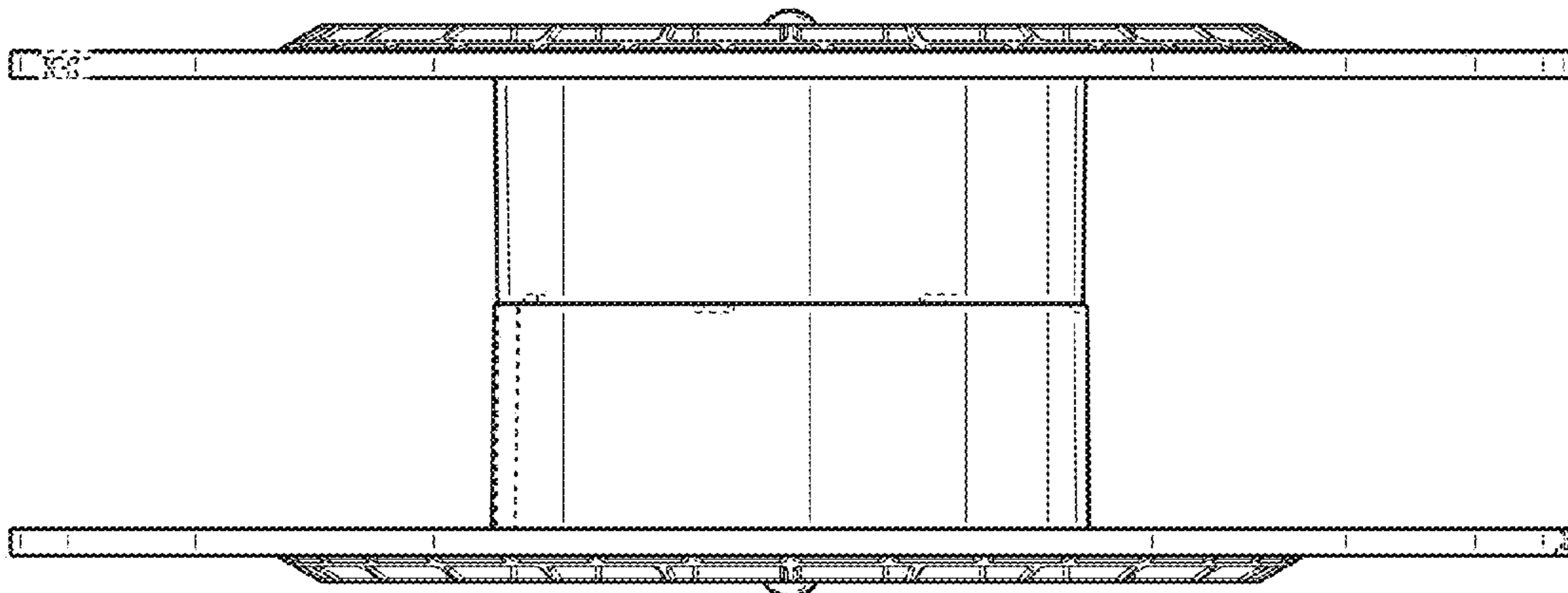


FIG. 4