



US00D741147S

(12) **United States Design Patent**  
**Buttau et al.**

(10) **Patent No.:** **US D741,147 S**  
(45) **Date of Patent:** **\*\* Oct. 20, 2015**

- (54) **ADAPTER**
- (75) Inventors: **Hans-Peter Buttau**, Lauffen (DE);  
**Herbert Velten**, Tamm (DE)
- (73) Assignee: **Bosch Rexroth AG**, Lohr (DE)
- (\*\*) Term: **14 Years**
- (21) Appl. No.: **29/417,584**
- (22) Filed: **Apr. 5, 2012**
- (30) **Foreign Application Priority Data**

D364,084 S *	11/1995	Yaich .....	D8/356
D417,135 S *	11/1999	McMahon .....	D8/354
D435,431 S *	12/2000	Fiegl et al. ....	D8/354
D455,066 S *	4/2002	Kolinen .....	D8/373
D511,676 S *	11/2005	Chung et al. ....	D8/355
D570,394 S *	6/2008	Dittmer et al. ....	D16/235
D593,843 S *	6/2009	Hutter, III .....	D8/354
D594,314 S *	6/2009	Hutter, III .....	D8/354
D602,767 S *	10/2009	Chiu .....	D8/367
D612,709 S *	3/2010	Fattori et al. ....	D8/355
D616,726 S *	6/2010	Ziaylek et al. ....	D8/354
D616,727 S *	6/2010	Chou .....	D8/354
D623,045 S *	9/2010	Moncade et al. ....	D8/354
D627,211 S *	11/2010	Hikoyama .....	D8/380
D627,212 S *	11/2010	Hikoyama .....	D8/380
D659,517 S *	5/2012	McGrath .....	D8/355

- Oct. 7, 2011 (EM) ..... 001928979
- (51) **LOC (10) Cl.** ..... **08-05**
- (52) **U.S. Cl.**  
USPC ..... **D8/354**
- (58) **Field of Classification Search**  
USPC ..... D8/349, 350, 353, 354, 355, 356, 359,  
D8/366, 367, 373, 374, 394; 24/163 R,  
24/169-171, 173, 177-179, 191, 194-195,  
24/197, 200, 614-616, 625; 248/56, 58,  
248/61, 62, 63, 65, 74.1, 74.2, 74.4, 200,  
248/220.21; D11/200, 201, 206-210,  
D11/214-218

\* cited by examiner

*Primary Examiner* — Eric Goodman  
*Assistant Examiner* — Bao-Yen Nguyen  
 (74) *Attorney, Agent, or Firm* — Maginot, Moore & Beck LLP

See application file for complete search history.

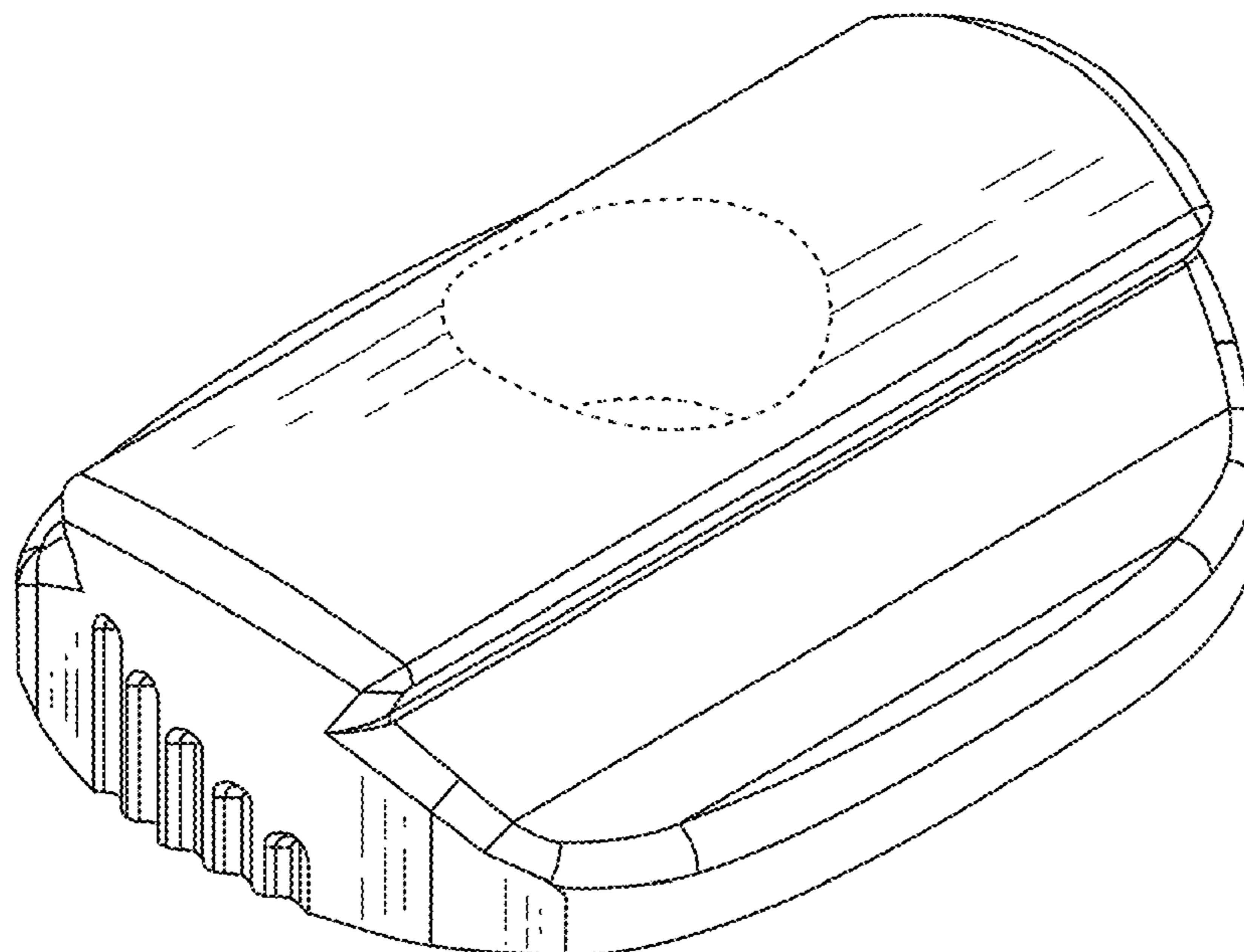
- (56) **References Cited**  
U.S. PATENT DOCUMENTS  
2,905,743 A \* 9/1959 Sylvester ..... 174/73.1  
D209,142 S \* 11/1967 Carlson ..... D8/353

(57) **CLAIM**  
 The ornamental design for an adapter, as shown and described.

**DESCRIPTION**

FIG. 1 is a top perspective view of an adapter showing our new design; and,  
 FIG. 2 is a bottom perspective view of the adapter of FIG. 1. The broken lines shown in the drawings illustrate portions of the adapter that form no part of the claimed design.

**1 Claim, 2 Drawing Sheets**



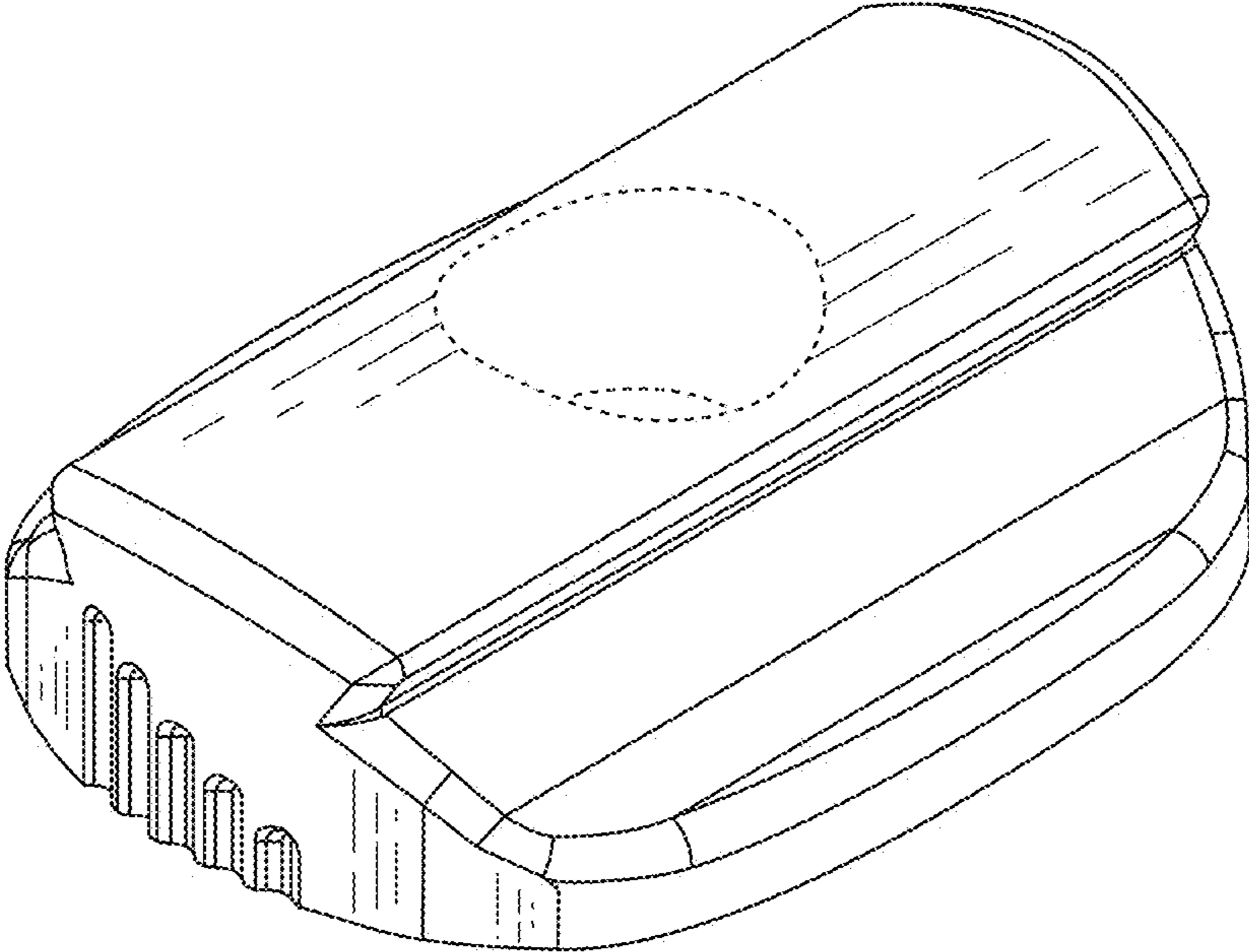


FIG. 1

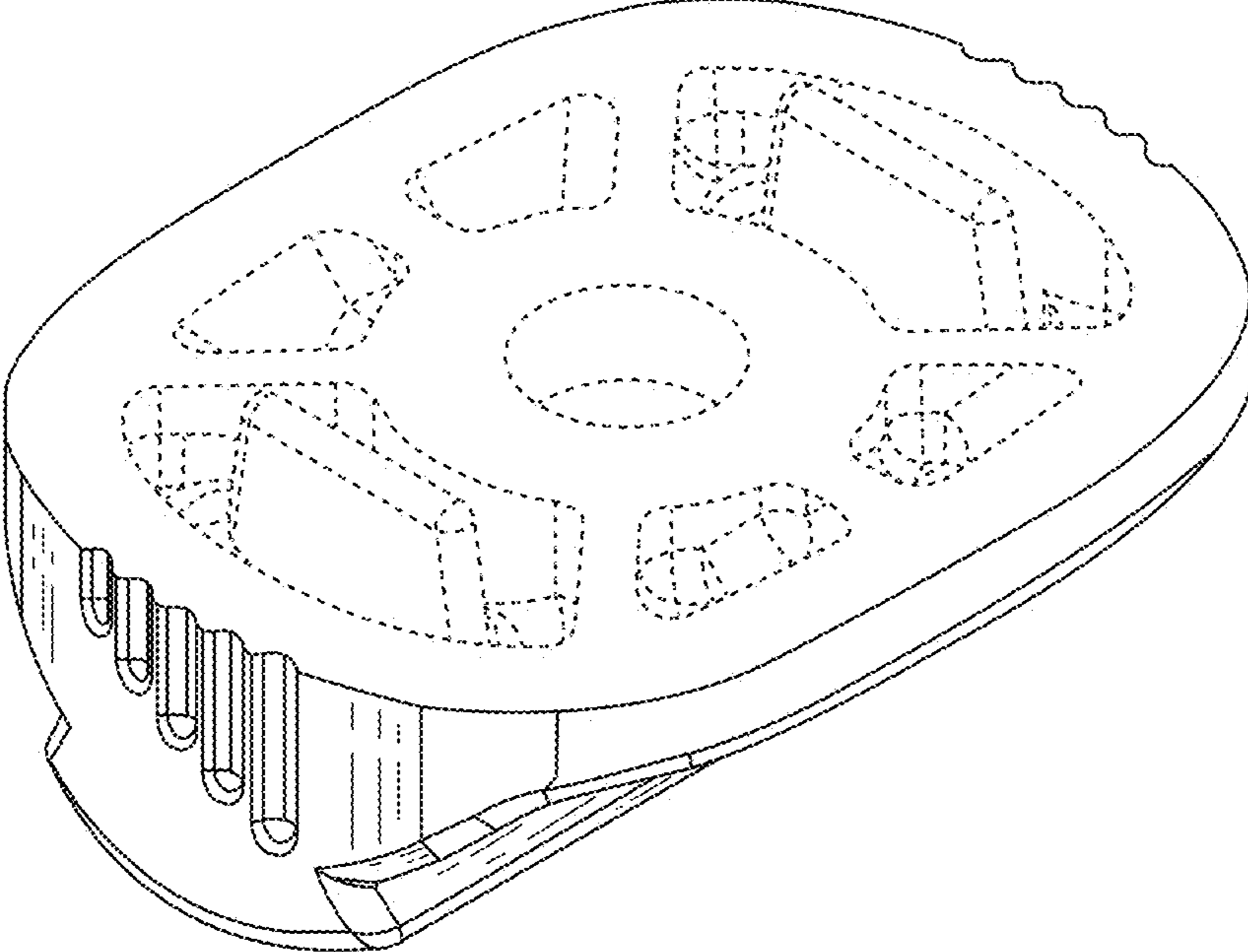


FIG. 2