



US00D741146S

(12) **United States Design Patent**
Delrue et al.

(10) **Patent No.:** **US D741,146 S**
(45) **Date of Patent:** **** Oct. 20, 2015**

(54) **HOLDING PLATE**

(71) Applicants: **Valentin Delrue**, Sainghin en Melantois (FR); **Sébastien Moreau**, Lille (FR)

(72) Inventors: **Valentin Delrue**, Sainghin en Melantois (FR); **Sébastien Moreau**, Lille (FR)

(73) Assignee: **Bigben Interactive SA**, Lesquin (FR)

(**) Term: **14 Years**

(21) Appl. No.: **29/458,437**

(22) Filed: **Jun. 19, 2013**

(30) **Foreign Application Priority Data**

Dec. 20, 2012 (EM) 002157099-0002

(51) **LOC (10) Cl.** **08-08**

(52) **U.S. Cl.**
USPC **D8/349**; D14/447

(58) **Field of Classification Search**
USPC D8/349, 354, 355, 363, 372, 373, 499;
D14/251, 253, 363, 366, 434, 447, 451,
D14/452; D12/415
CPC G06F 1/184; G06F 1/1601; G06F 1/1616;
G06F 1/1626; F16B 1/04; F16B 1/00; F16M
11/04; F16M 13/02; F16M 13/123
See application file for complete search history.

(56) **References Cited**

U.S. PATENT DOCUMENTS

D522,843 S * 6/2006 Richter D8/363
D549,709 S * 8/2007 Richter D14/447
D603,322 S * 11/2009 Nicieja D12/415

D610,438 S * 2/2010 Libohova D8/373
D646,315 S * 10/2011 Orf D16/242
D682,281 S * 5/2013 Barnard et al. D14/447
D693,352 S * 11/2013 Gelsomini et al. D14/447
D696,675 S * 12/2013 Delrue et al. D14/447
D710,363 S * 8/2014 Wengreen D14/432
D715,790 S * 10/2014 Conomos et al. D14/253
D724,598 S * 3/2015 Gelsomini et al. D14/447
D733,526 S * 7/2015 Delrue et al. D8/349
2014/0034794 A1* 2/2014 Carnevali 248/205.3
2014/0263929 A1* 9/2014 Grziwok et al. 248/553

* cited by examiner

Primary Examiner — Thomas Johannes

Assistant Examiner — Shawn T Gingrich

(74) *Attorney, Agent, or Firm* — Fross, Zelnick, Lehrman & Zissu, P.C.; Charles T. J. Weigell, Esq.

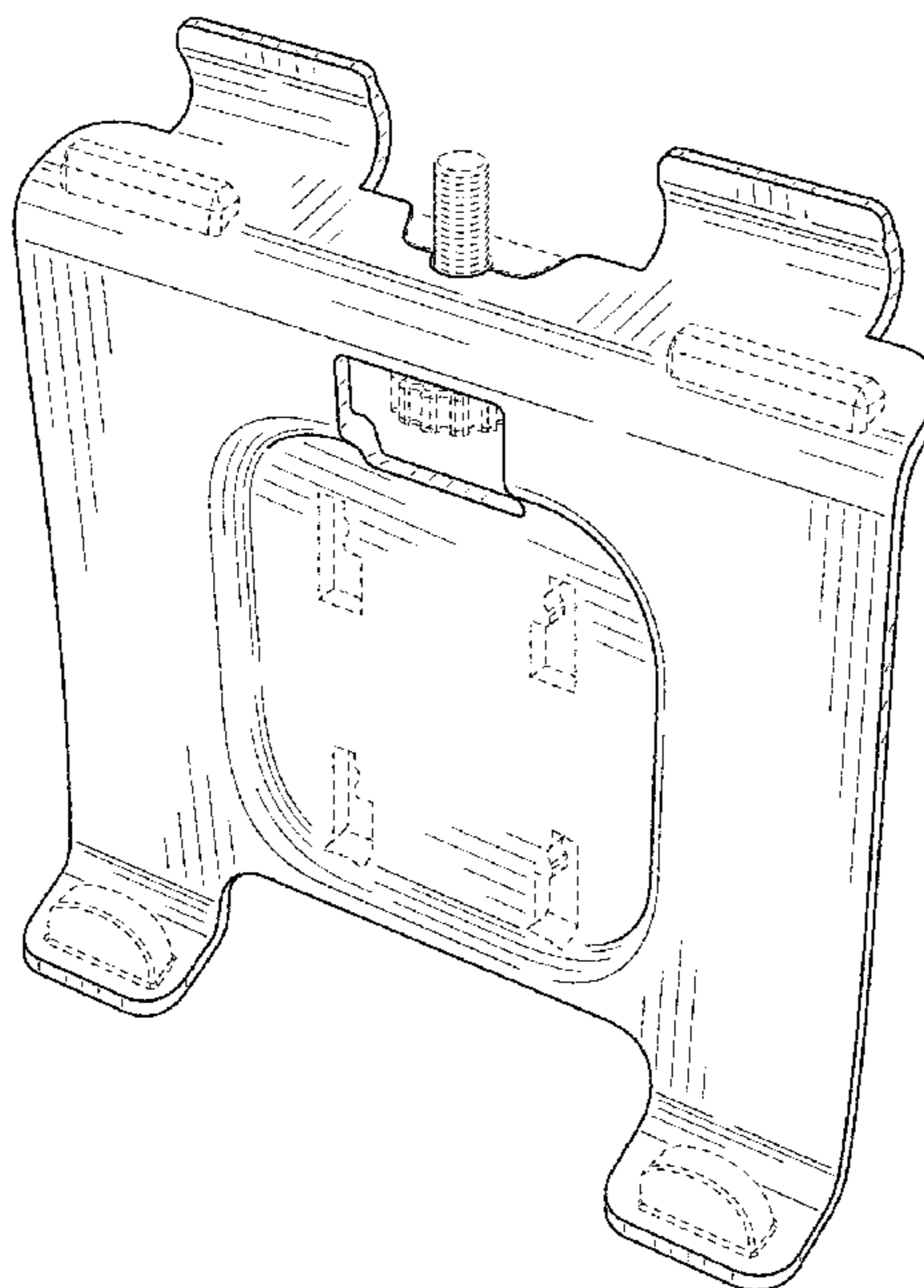
(57) **CLAIM**

The ornamental design for a holding plate, as shown and described.

DESCRIPTION

FIG. 1 is a front perspective view of a holding plate showing my new design;
FIG. 2 is a front view of the holding plate shown in FIG. 1;
FIG. 3 is a rear view of the holding plate shown in FIG. 1;
FIG. 4 is a left side view of the holding plate shown in FIG. 1;
FIG. 5 is a right side view of the holding plate shown in FIG. 1;
FIG. 6 is a top view of the holding plate shown in FIG. 1; and,
FIG. 7 is a bottom view of the holding plate shown in FIG. 1.
The broken line portion of the figure drawings is included to show unclaimed subject matter only and forms no part of the claimed design.

1 Claim, 3 Drawing Sheets



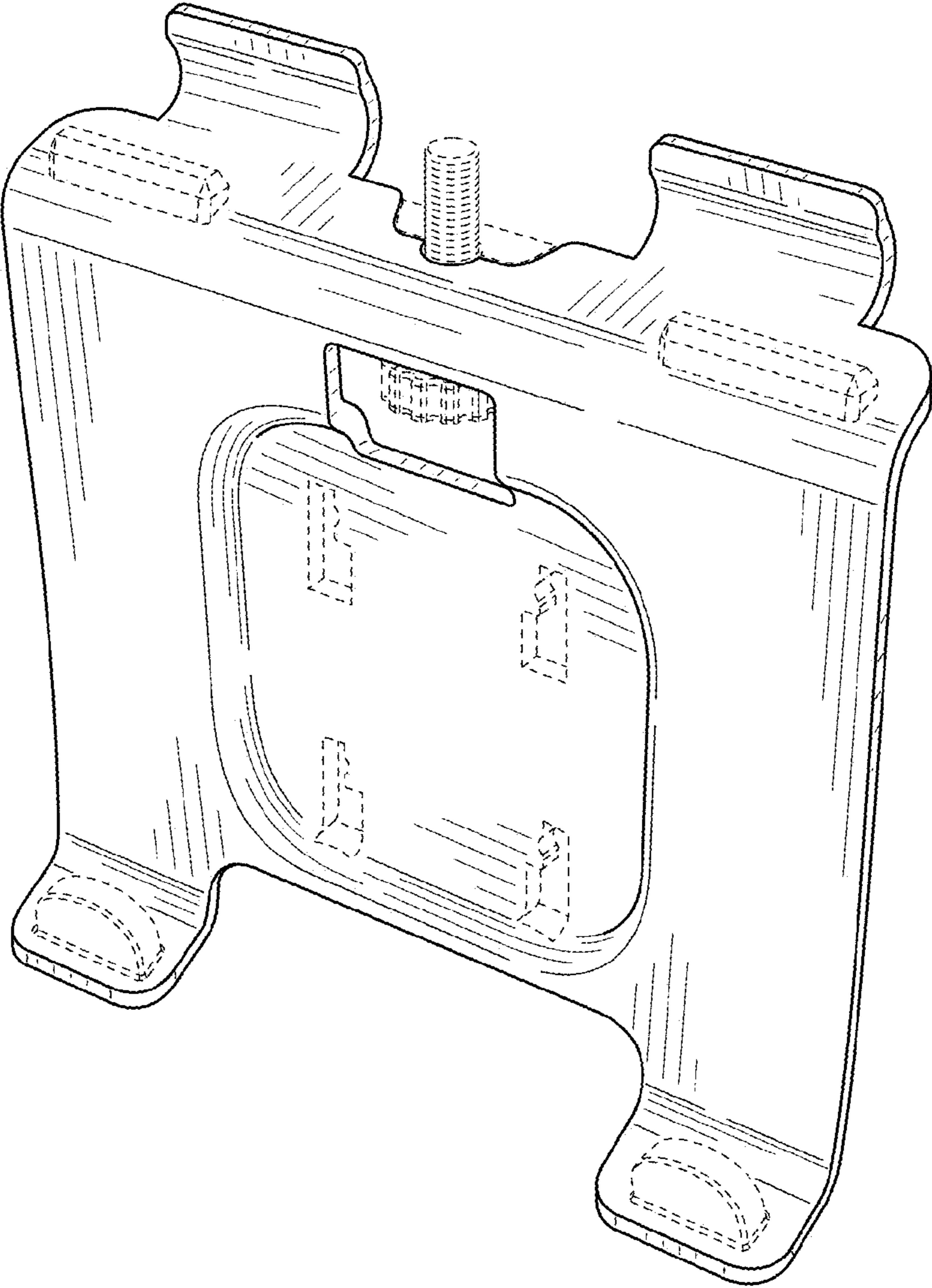


FIG. 1

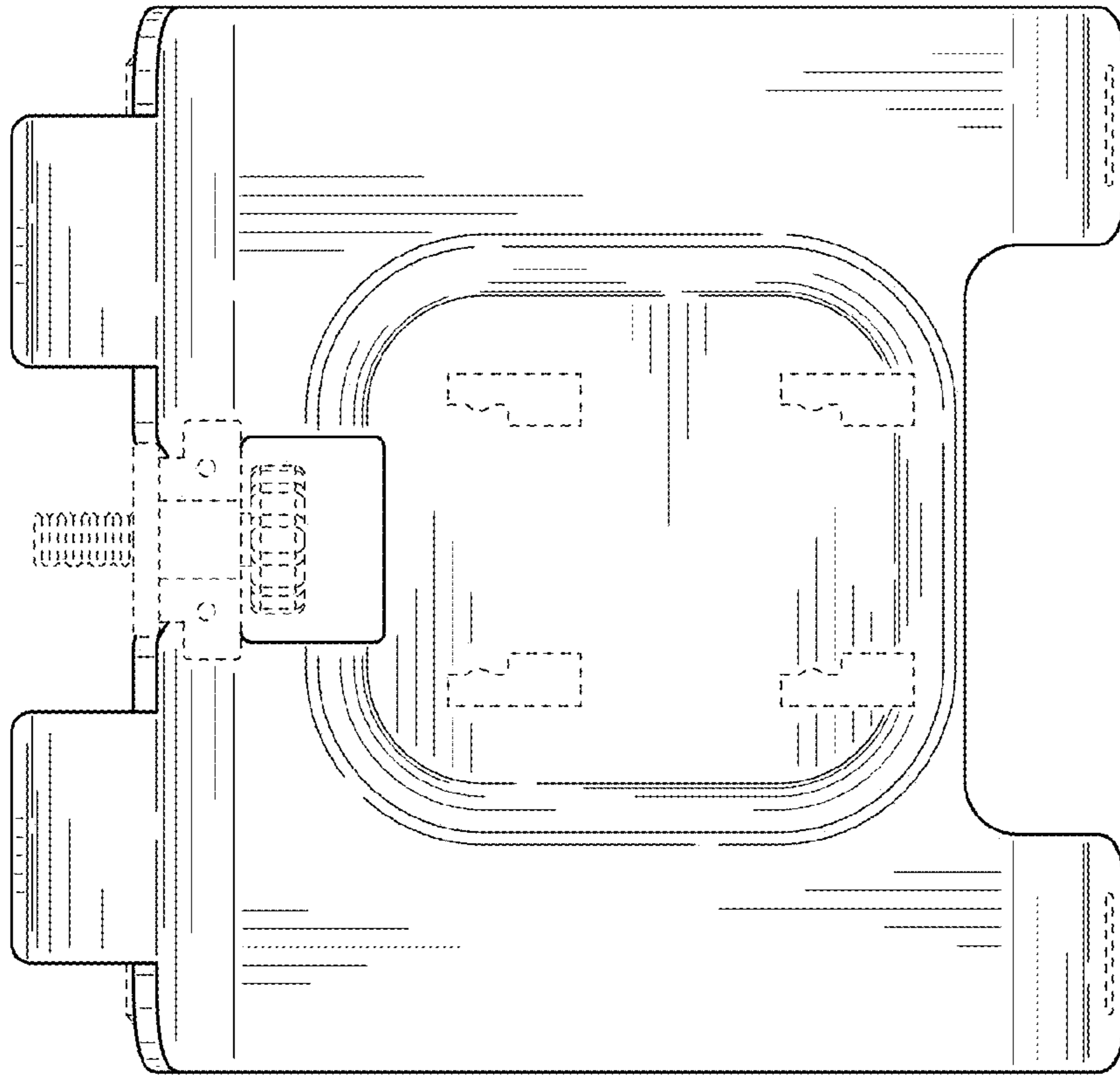


FIG. 2

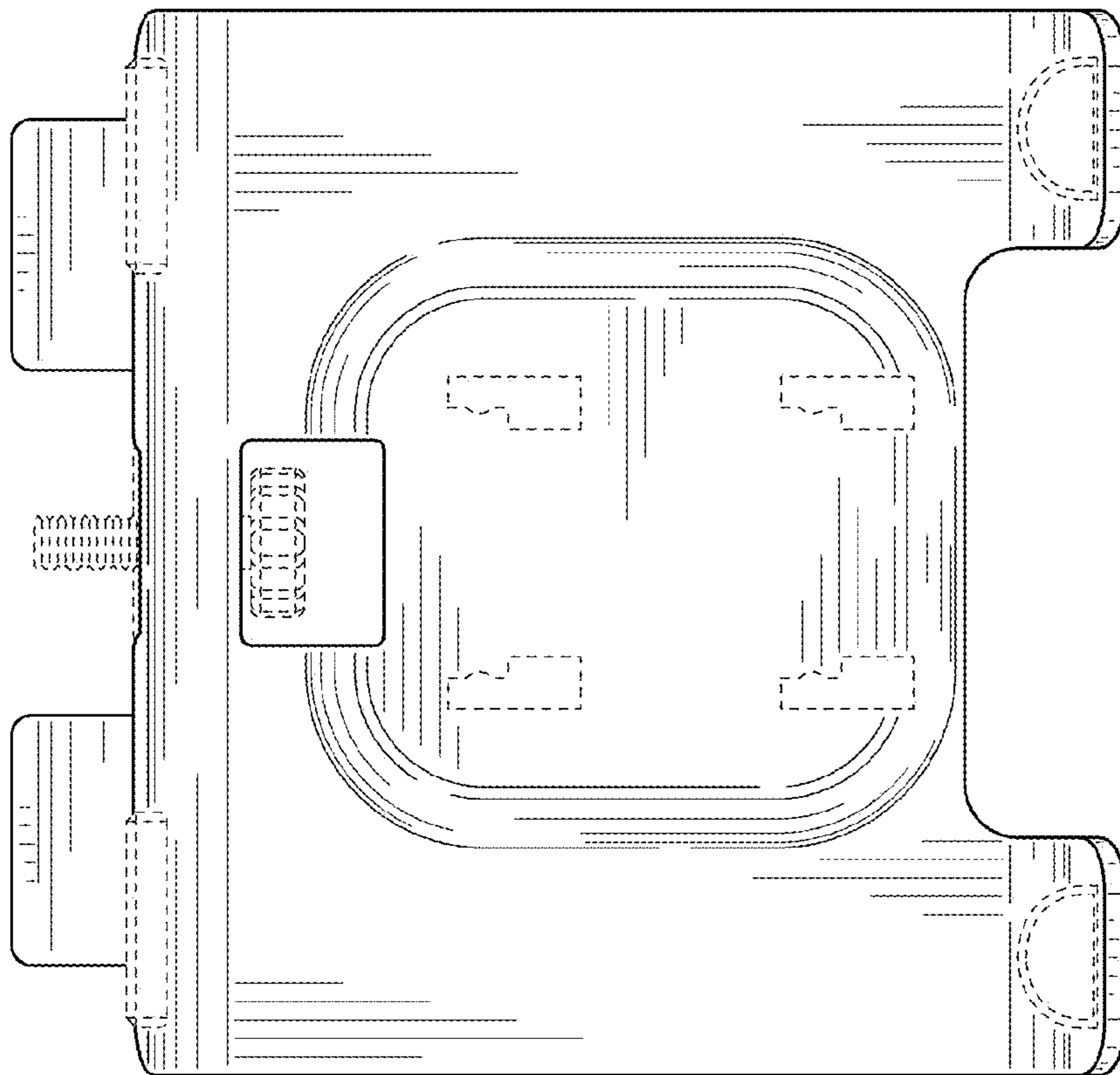


FIG. 3

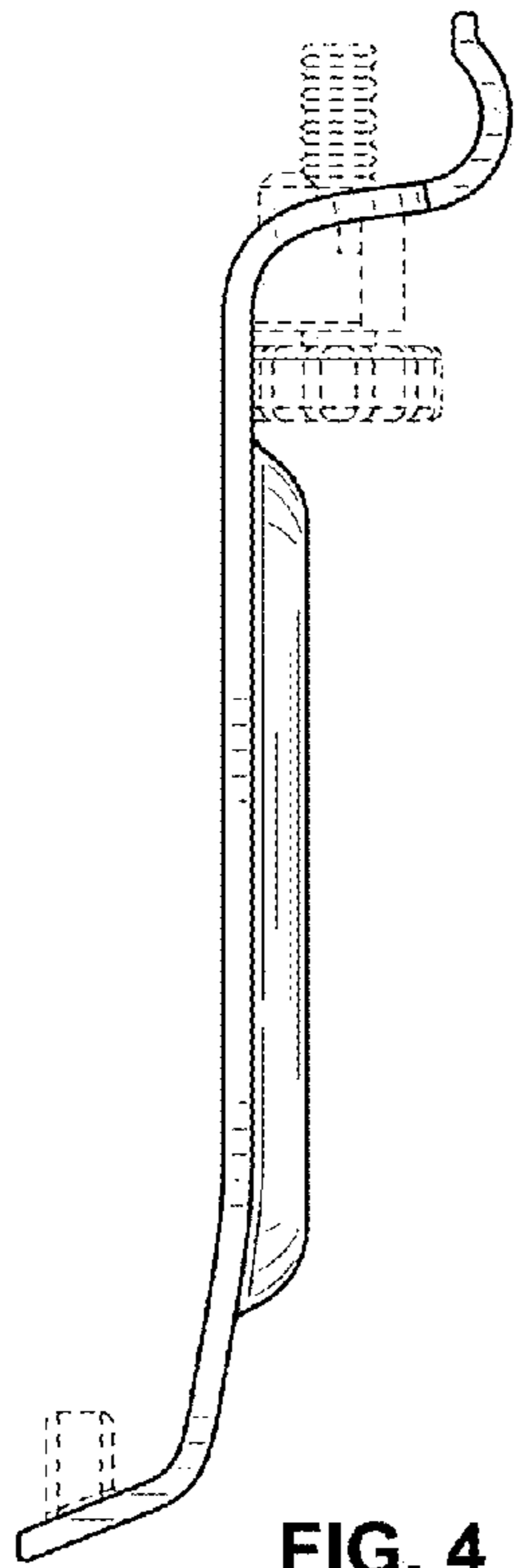


FIG. 4

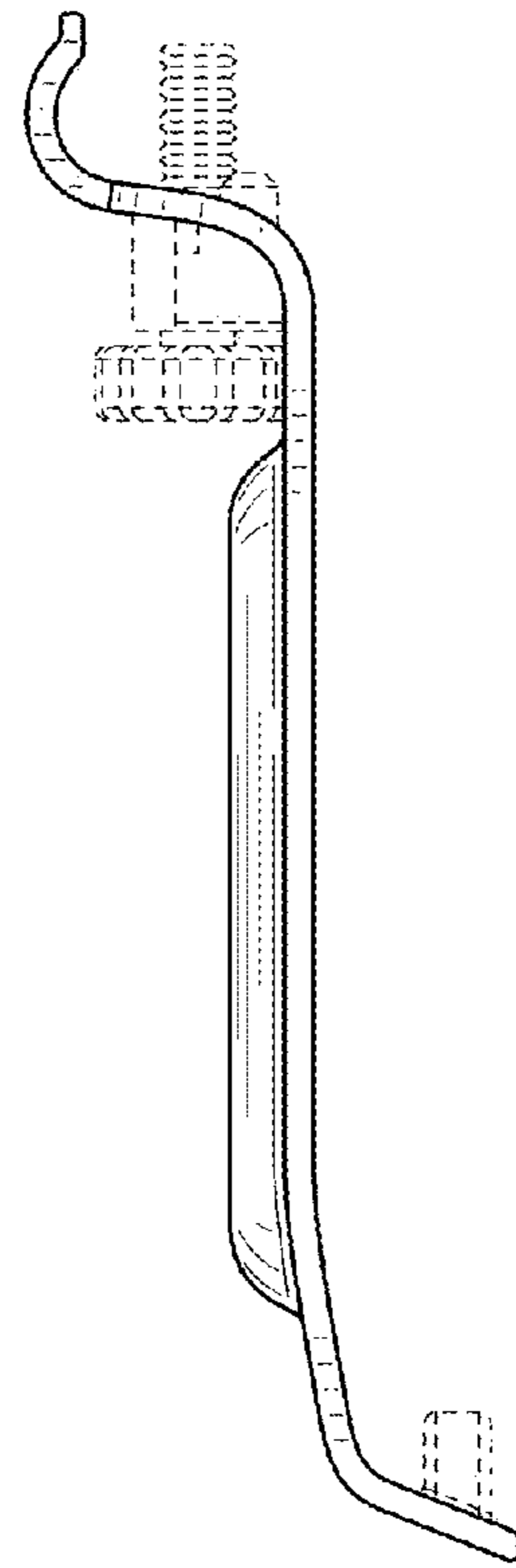


FIG. 5

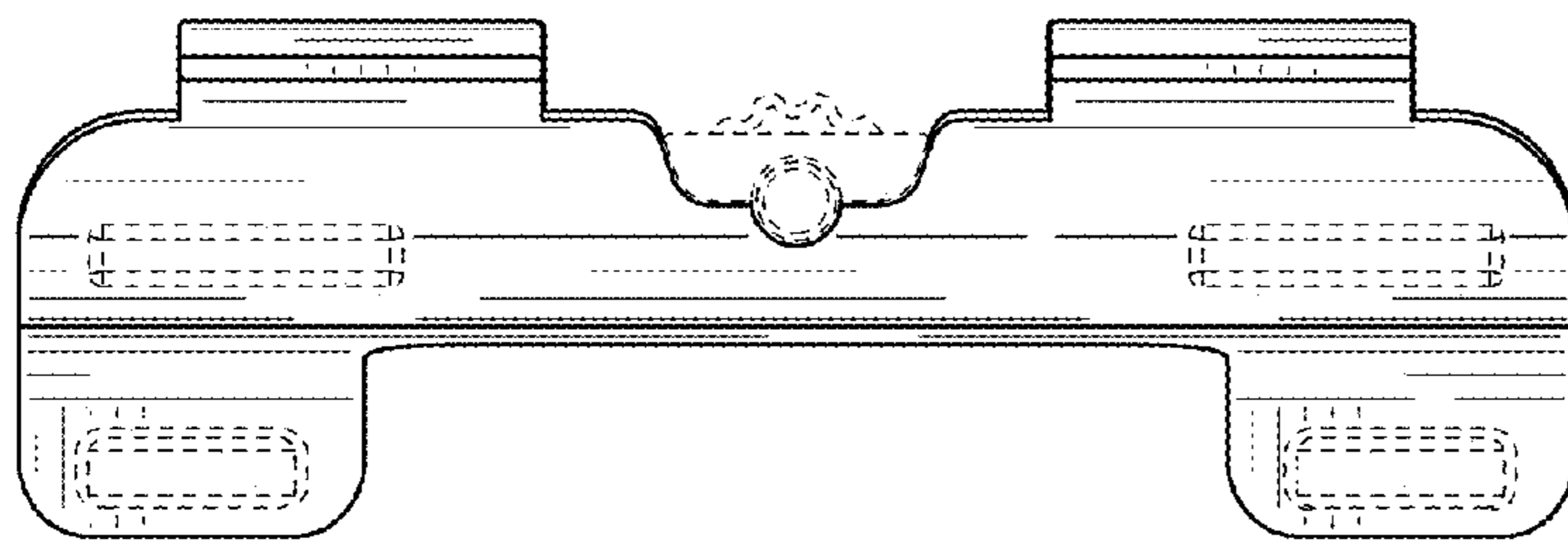


FIG. 6

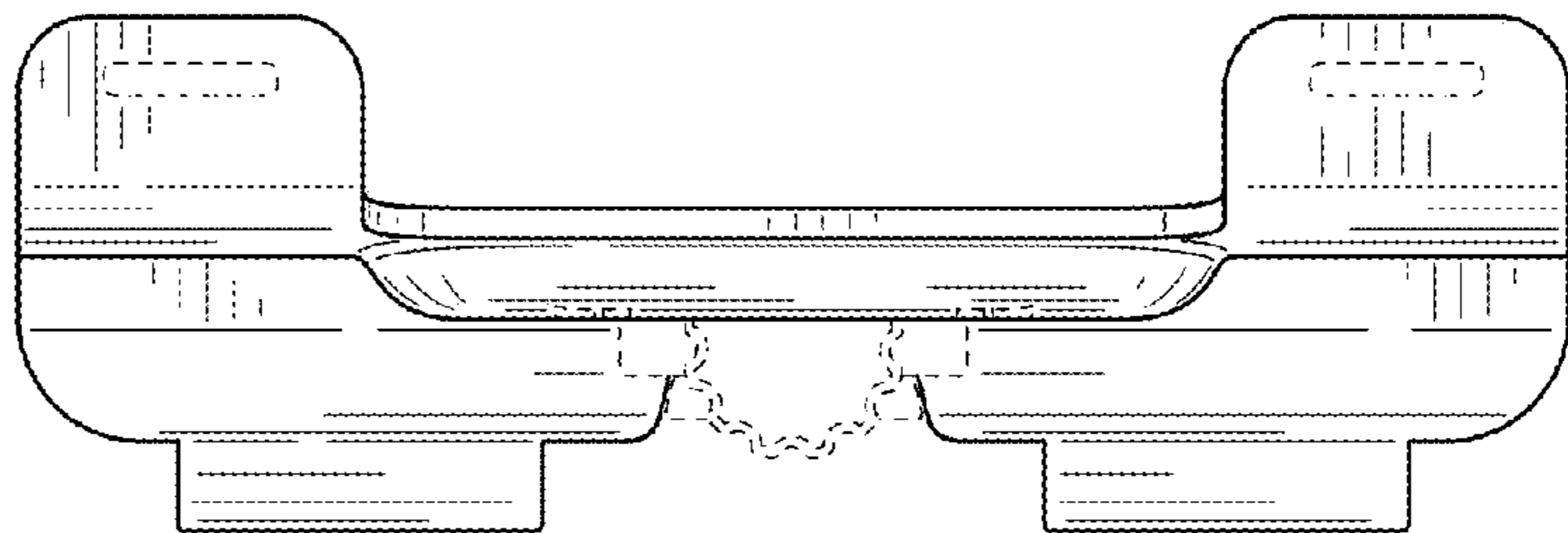


FIG. 7