



US00D741144S

(12) **United States Design Patent**
McCullough

(10) **Patent No.:** **US D741,144 S**

(45) **Date of Patent:** **** Oct. 20, 2015**

(54) **SWING ARM**

(71) Applicant: **Peter M. McCullough**, Evansville, IN
(US)

(72) Inventor: **Peter M. McCullough**, Evansville, IN
(US)

(**) Term: **14 Years**

(21) Appl. No.: **29/437,662**

(22) Filed: **Nov. 20, 2012**

(51) **LOC (10) Cl.** **08-05**

(52) **U.S. Cl.**
USPC **D8/349**

(58) **Field of Classification Search**
USPC D15/28; D8/349, 354, 380, 382, 366,
D8/363, 371, 373, 376; 248/300, 237,
248/309.1, 200, 205.1, 207, 214, 235, 247,
248/351, 220.41; 52/188, 182, 191, 702,
52/712, 745.06, 189, 506.5, 586.1;
29/428, 525.01, 464; 249/14, 205, 208;
403/167, 169; 211/86.01, 90.01, 105.1,
211/193, 134; 108/152; 40/642.02;
D12/400, 223, 159

CPC A47B 96/06; A47F 5/0068; G09F 3/204
See application file for complete search history.

(56) **References Cited**

U.S. PATENT DOCUMENTS

D323,332 S * 1/1992 Ishii et al. D15/199
D552,138 S * 10/2007 Kondo et al. D15/199

* cited by examiner

Primary Examiner — Mark Goodwin

(74) *Attorney, Agent, or Firm* — Gary K. Price

(57) **CLAIM**

The ornamental design of a swing arm, as shown and described.

DESCRIPTION

FIG. 1 is a front view of a swing arm for a swing which is shown in broken lines to illustrate the environment of the claimed design and forms no part thereof.

FIG. 2 is a top plan view of the swing arm illustrated in FIG. 1; and,

FIG. 3 is a side view of the swing arm illustrated in FIG. 1. The bottom view and rear view form no part of the claimed design.

1 Claim, 3 Drawing Sheets

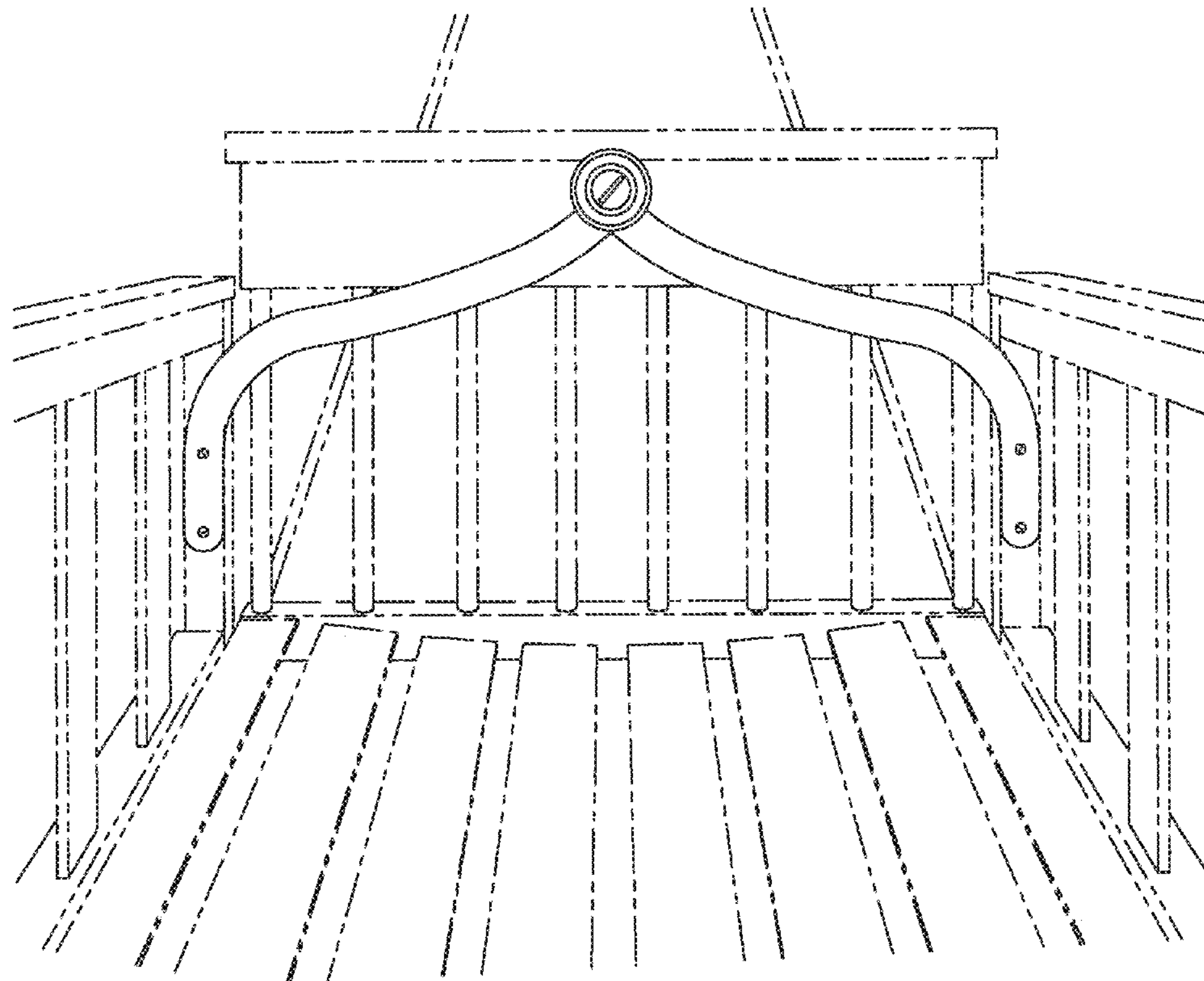


Fig. 1

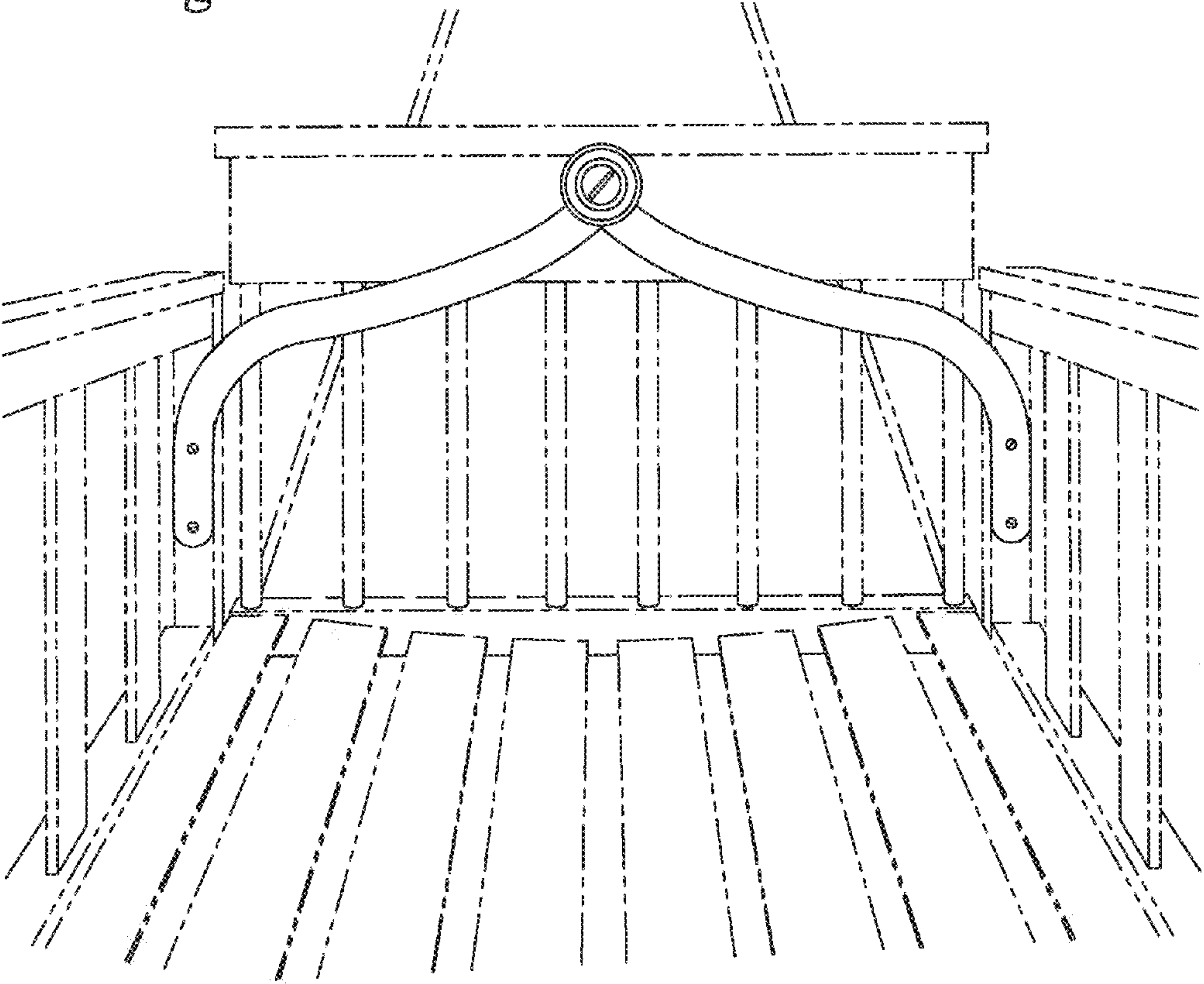


Fig. 2

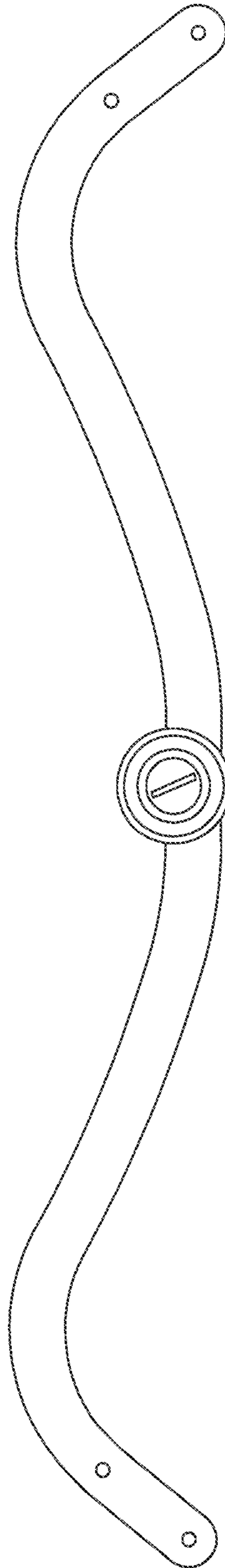


Fig. 3

