



US00D741142S

(12) **United States Design Patent**
Todd, Jr. et al.

(10) **Patent No.:** **US D741,142 S**
(45) **Date of Patent:** **** Oct. 20, 2015**

- (54) **HINGE**
- (71) Applicant: **Southco, Inc.**, Concordville, PA (US)
- (72) Inventors: **John Joseph Todd, Jr.**, Springfield, PA (US); **James Joseph Ford**, West Chester, PA (US); **Todd Michael Schwanger**, Exton, PA (US)
- (73) Assignee: **Southco, Inc.**, Concordville, PA (US)
- (**) Term: **14 Years**
- (21) Appl. No.: **29/453,529**
- (22) Filed: **Apr. 30, 2013**
- (51) **LOC (10) Cl.** **08-06**
- (52) **U.S. Cl.**
USPC **D8/327**
- (58) **Field of Classification Search**
USPC D8/323, 328, 327; D23/303; 4/236, 4/240; 16/225, 250, 682, 309, 235, 275, 16/244, 379, 390, 430, 241, 238, 245, 236, 16/243, 242, 385
See application file for complete search history.

- 7,028,961 B1 4/2006 Dittmer et al.
- D533,433 S * 12/2006 Loggen D8/329
- D537,706 S 3/2007 Ly Hau et al.
- D538,633 S 3/2007 Ly Hau et al.

(Continued)

FOREIGN PATENT DOCUMENTS

- JP D1318899 1/2008
- JP D1392914 7/2010

(Continued)

OTHER PUBLICATIONS

Search Report, with an English translation, for Taiwan Design Application No. 102307048 dated Sep. 16, 2014.

(Continued)

Primary Examiner — Cynthia Underwood
(74) *Attorney, Agent, or Firm* — RatnerPrestia

(57) **CLAIM**

The ornamental design for a hinge, as shown and described.

DESCRIPTION

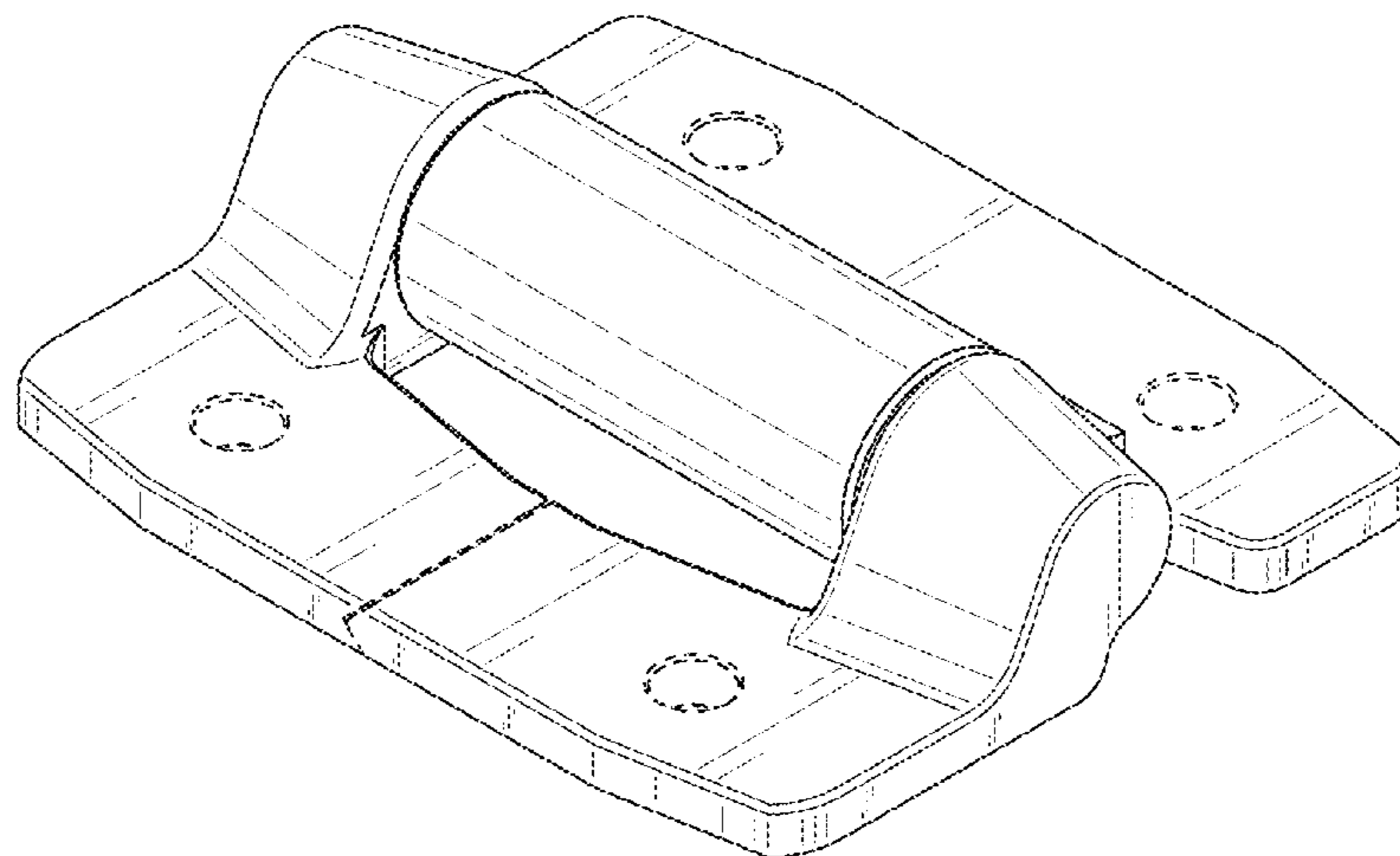
FIG. 1 is a front isometric view taken from above the right front corner of a hinge;
 FIG. 2 is a rear isometric view taken from above the left rear corner of the hinge of FIG. 1;
 FIG. 3 is a rear isometric view taken from below the left rear corner of the hinge of FIG. 1;
 FIG. 4 is a top plan view of the hinge of FIG. 1;
 FIG. 5 is a bottom plan view of the hinge of FIG. 1;
 FIG. 6 is a front elevation view of the hinge of FIG. 1;
 FIG. 7 is a rear elevation view of the hinge of FIG. 1; and,
 FIG. 8 is an elevation view as viewed from the right side of the hinge of FIG. 1, the left side being a mirror image of the right side.

1 Claim, 4 Drawing Sheets

(56) **References Cited**

U.S. PATENT DOCUMENTS

- 1,832,902 A * 11/1931 Holbrook 16/392
- D139,227 S * 10/1944 Greiling D8/323
- D183,261 S * 7/1958 Mink D8/327
- D202,817 S 11/1965 Goda
- D376,971 S * 12/1996 Schutz D8/327
- D385,475 S * 10/1997 Bolinas et al. D8/328
- D401,134 S * 11/1998 Finkelstein D8/329
- D436,515 S * 1/2001 Sonntag D8/328
- D462,969 S 9/2002 Scharer et al.
- D488,708 S 4/2004 Lam et al.
- D489,599 S 5/2004 Lam
- D505,858 S 6/2005 O'Keene
- 6,915,995 B2 7/2005 Gillespie



(56)

References Cited

U.S. PATENT DOCUMENTS

D539,123 S 3/2007 Ly Hau et al.
D539,127 S 3/2007 Ly Hau et al.
D543,210 S 5/2007 Stenhouse et al.
D543,547 S 5/2007 Muday et al.
D543,548 S 5/2007 Muday et al.
D558,562 S 1/2008 Ciungan et al.
D559,087 S 1/2008 Ciungan et al.
D565,386 S * 4/2008 Bladen et al. D8/323
D569,381 S 5/2008 Sculler et al.
D577,730 S 9/2008 Rutten
D621,683 S * 8/2010 Mullenix D8/323
D622,576 S * 8/2010 Farkas et al. D8/328
D623,654 S 9/2010 Hau et al.
D635,433 S * 4/2011 Le D8/327

D644,648 S 9/2011 Anderson et al.
D649,008 S * 11/2011 Caffin et al. D8/323
D649,009 S * 11/2011 Caffin et al. D8/323
2004/0262474 A1 12/2004 Boks et al.
2008/0029669 A1 2/2008 Olah et al.

FOREIGN PATENT DOCUMENTS

TW D103733 3/2005
TW D114514 12/2006

OTHER PUBLICATIONS

Southco Handbook 59, "Engineered Access Solutions," pp. 416-469, 2009.

* cited by examiner

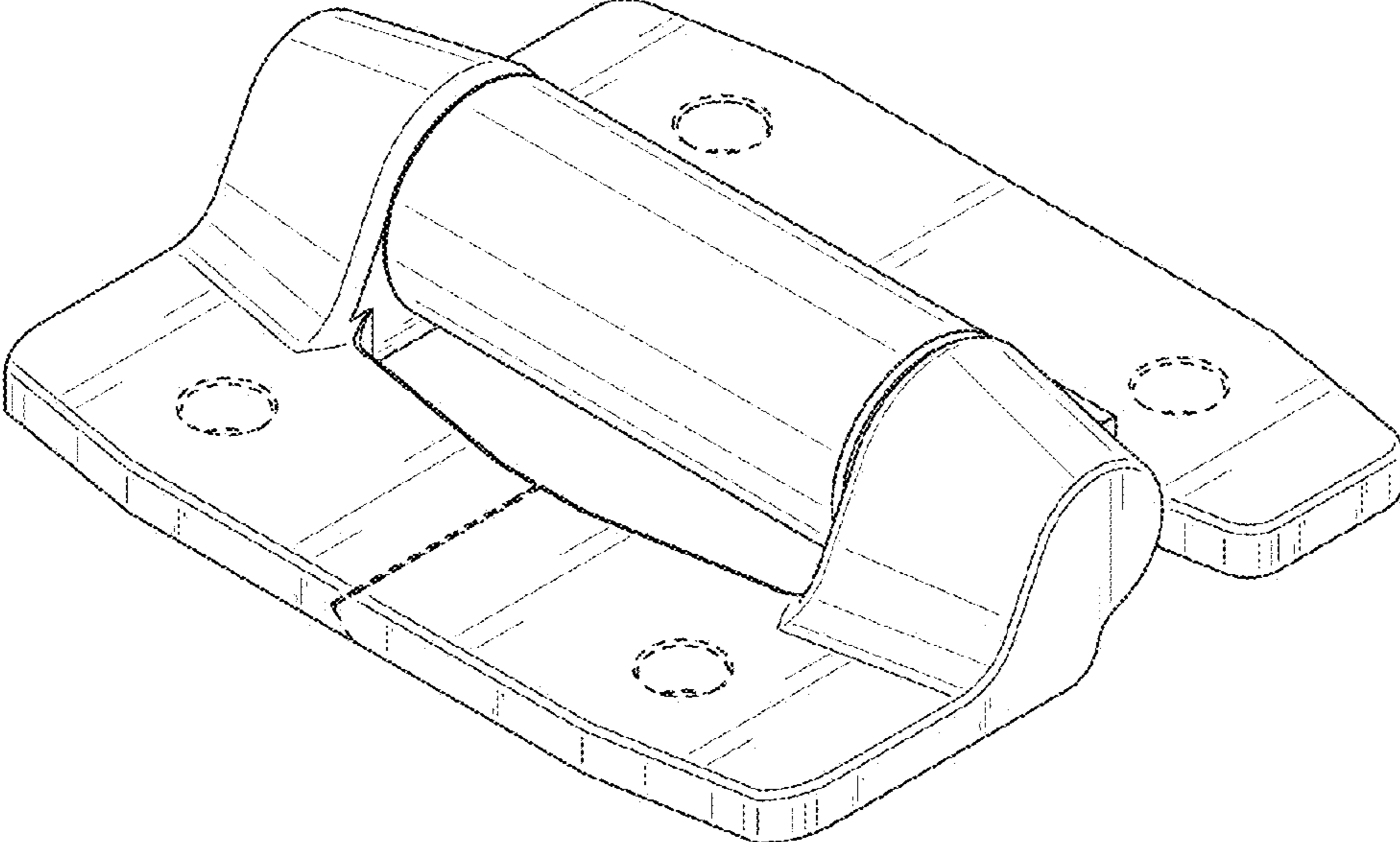


FIG. 1

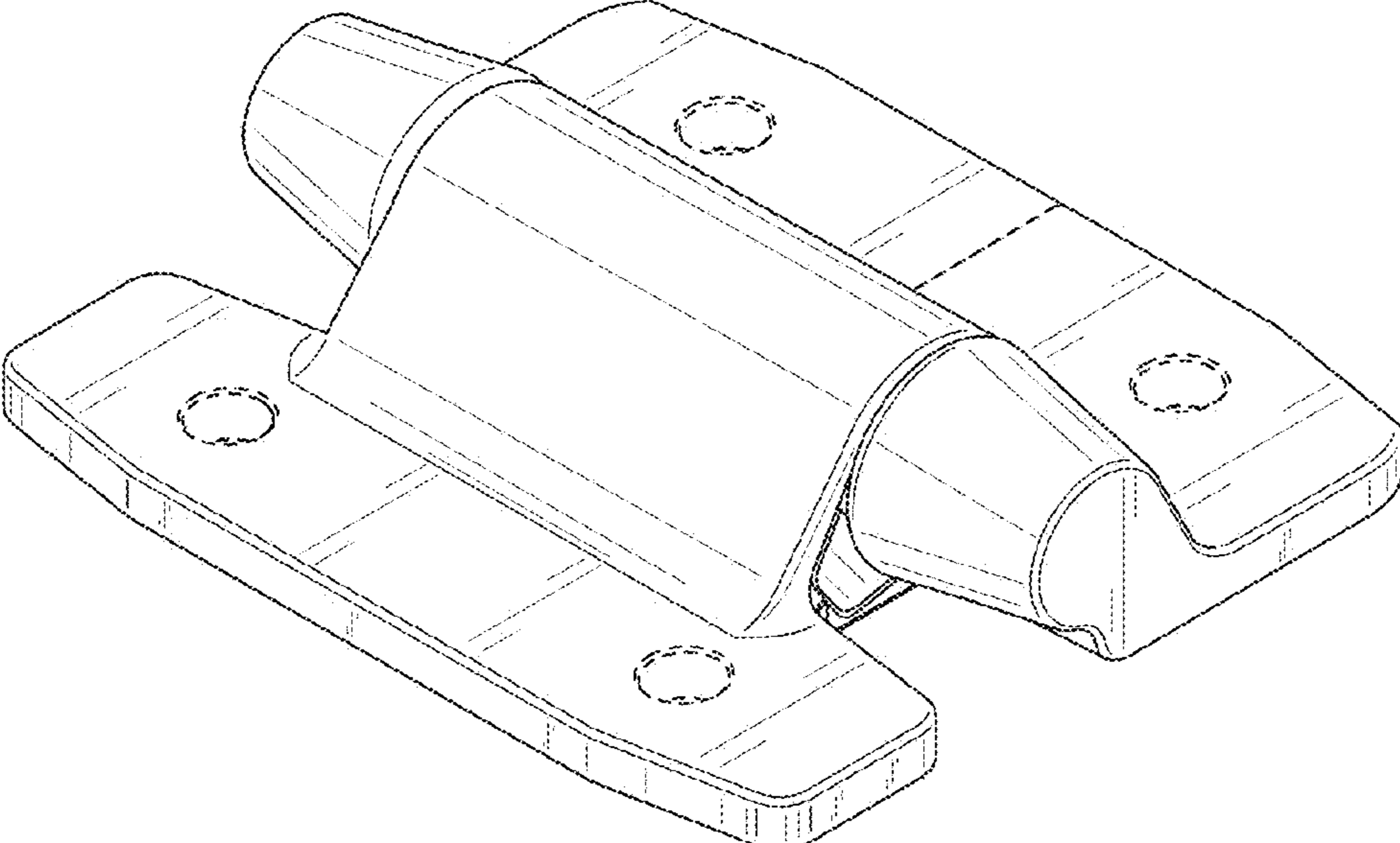


FIG. 2

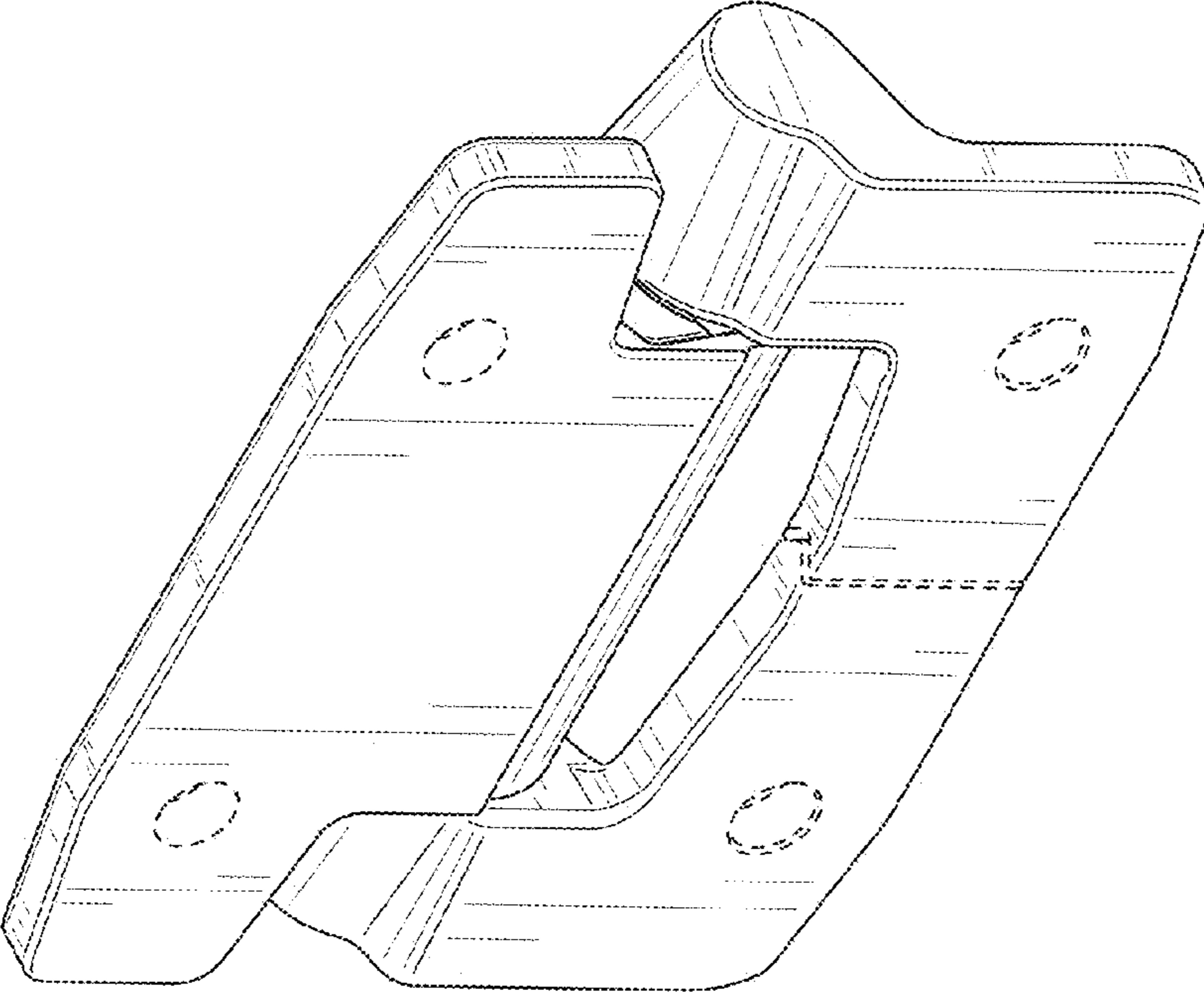


FIG. 3

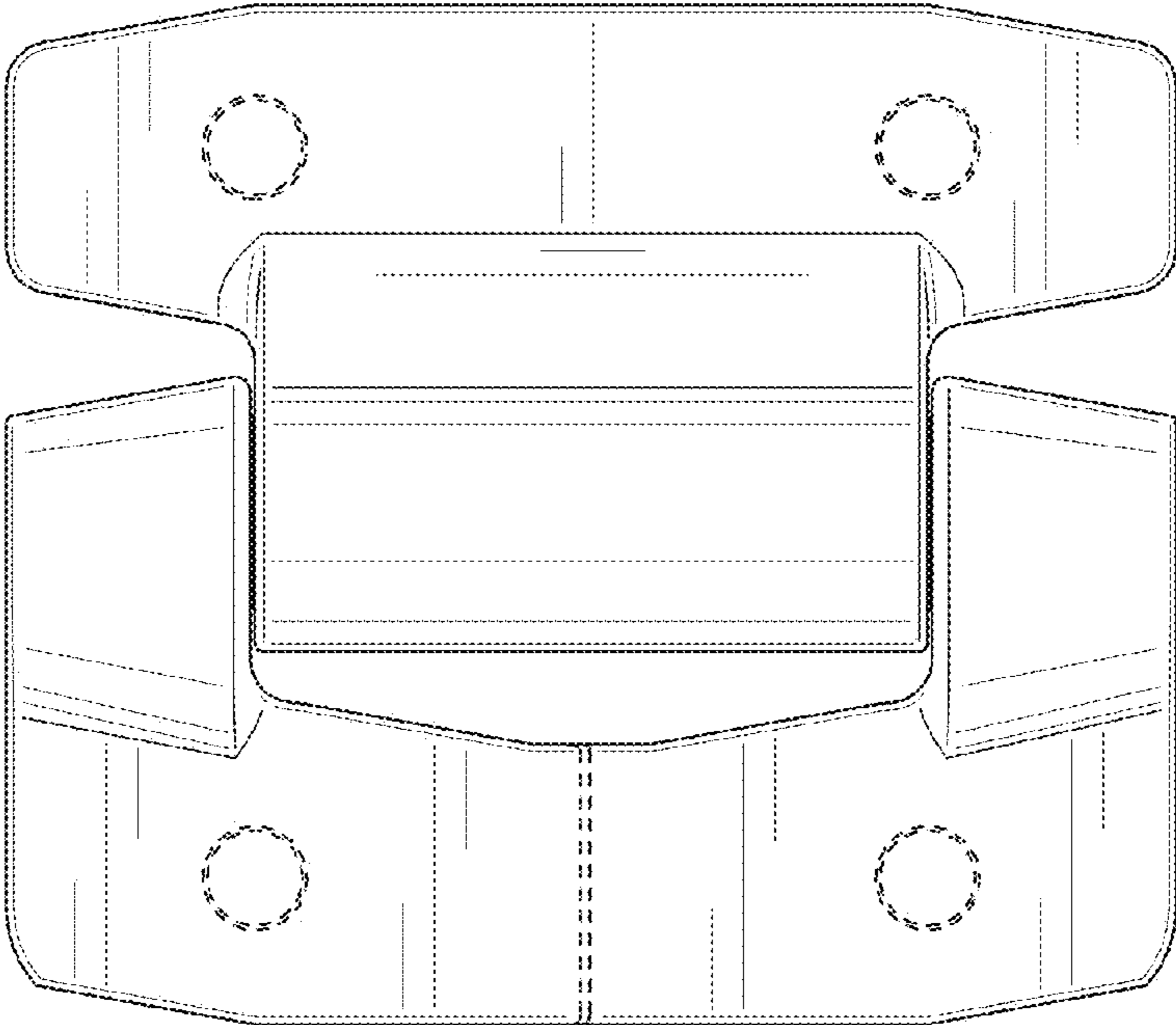


FIG. 4

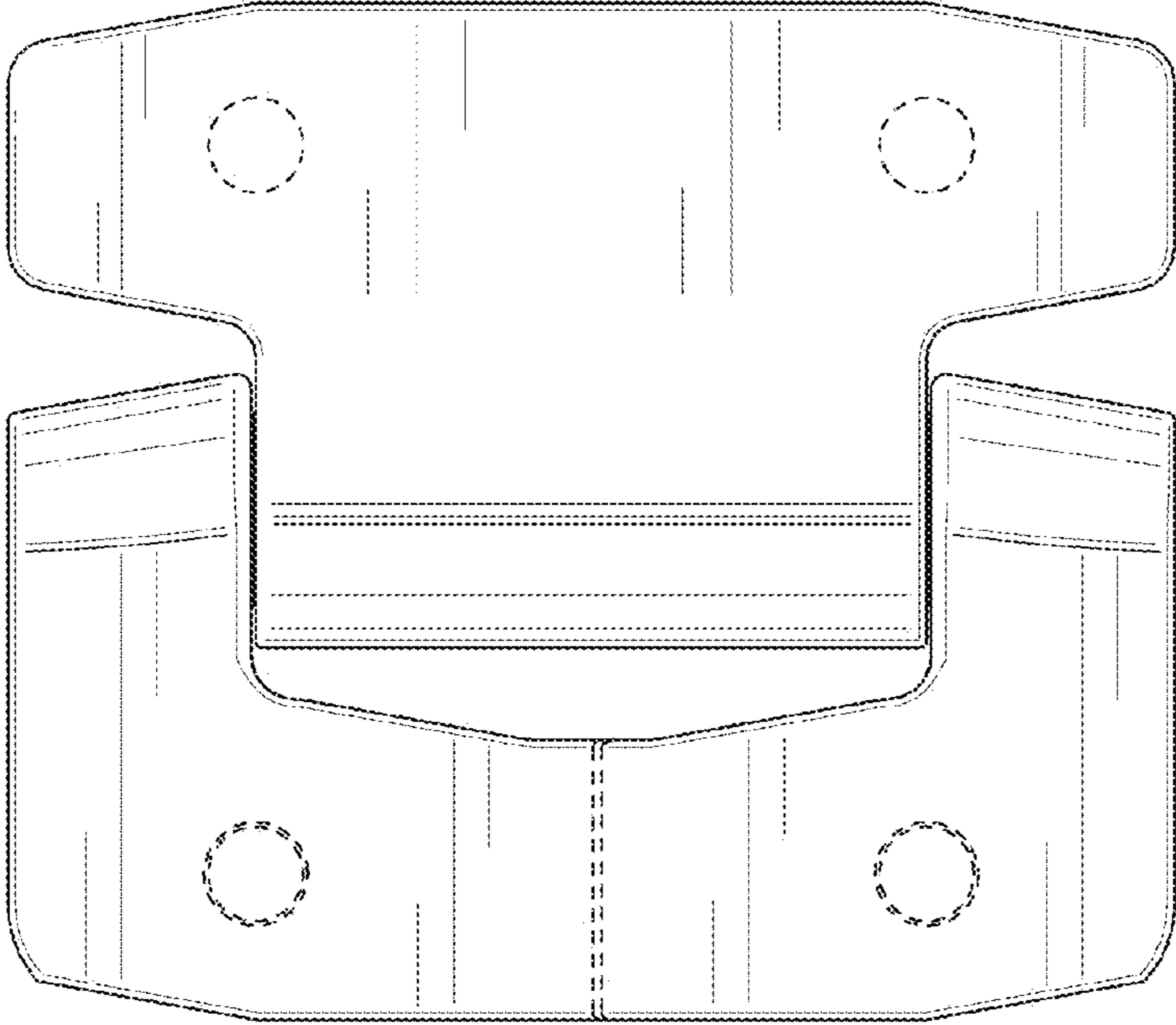


FIG. 5

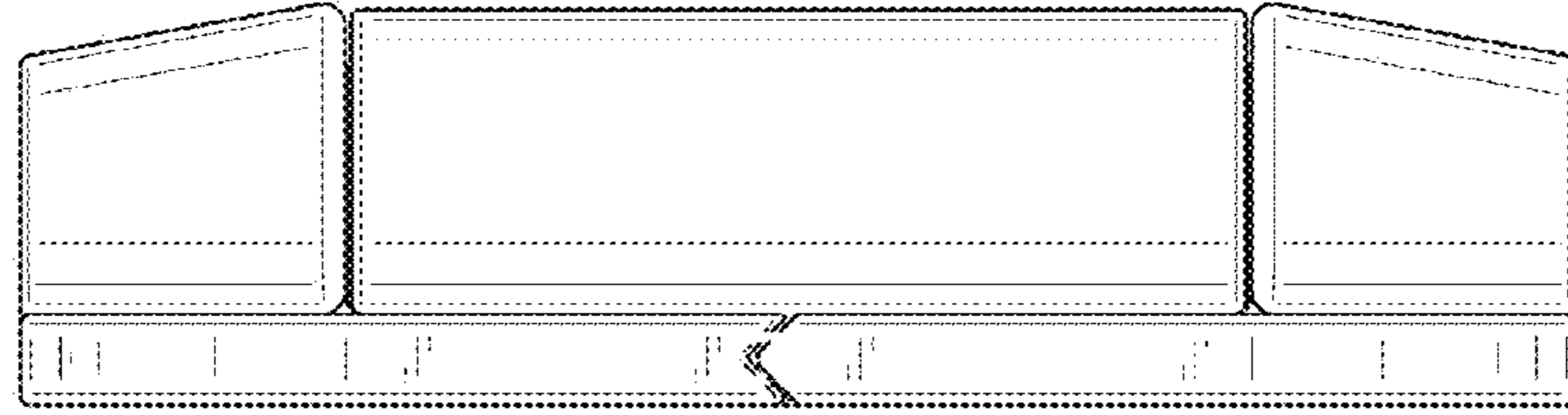


FIG. 6

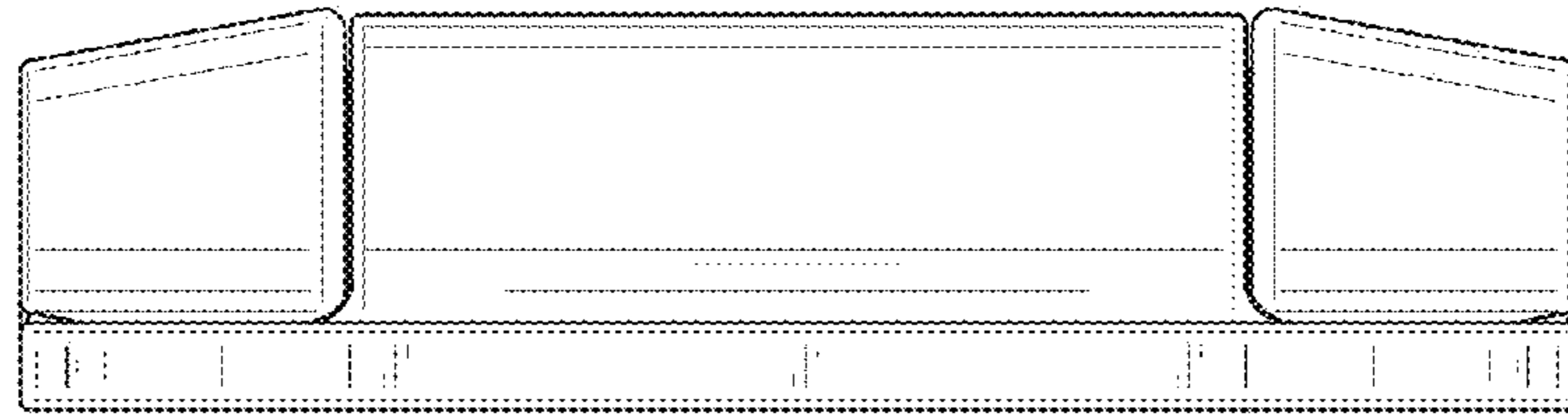


FIG. 7

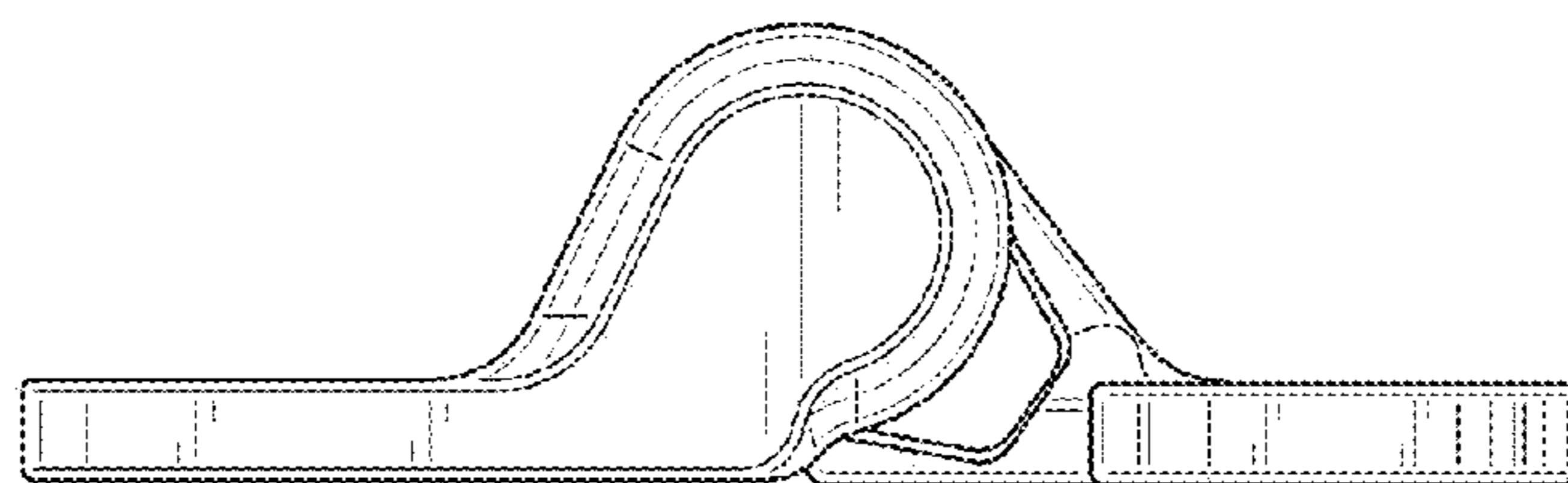


FIG. 8