



US00D741141S

(12) **United States Design Patent**
Knudson et al.

(10) **Patent No.:** **US D741,141 S**
(45) **Date of Patent:** **** Oct. 20, 2015**

(54) **HOOD TO COVER A HINGE**

(71) Applicant: **Modern Fence Technologies**, East Troy, WI (US)

(72) Inventors: **Mark Knudson**, East Troy, WI (US);
Matthew Knudson, East Troy, WI (US);
David Zima, Ingelside, IL (US)

(73) Assignee: **Modern Fence Technologies, Inc.**, East Troy, WI (US)

(**) Term: **14 Years**

(21) Appl. No.: **29/467,225**

(22) Filed: **Sep. 17, 2013**

(51) **LOC (10) Cl.** **08-06**

(52) **U.S. Cl.**
USPC **D8/323**

(58) **Field of Classification Search**

USPC D8/323, 325, 327, 328, 329, 346, 403,
D8/499; 4/236, 240; 16/223, 225, 227,
16/233, 235, 236, 238, 241, 242, 243, 244,
16/245, 246, 250, 251, 252, 253, 257, 309,
16/331, 379, 385, 389-390, 430
CPC Y10T 16/00; Y10T 16/52; Y10T 16/521;
Y10T 16/522; Y10T 16/5275; Y10T 16/528;
Y10T 16/532; Y10T 16/53247; Y10T
16/54056; Y10T 16/551

See application file for complete search history.

(56) **References Cited**

U.S. PATENT DOCUMENTS

D605,926	S	*	12/2009	Yamaguchi	D8/328
D719,010	S	*	12/2014	Russo et al.	D8/323
D719,011	S	*	12/2014	Russo et al.	D8/323
D719,811	S	*	12/2014	Cooper et al.	D8/323
2008/0022491	A1	*	1/2008	Campbell et al.	16/236
2012/0291222	A1	*	11/2012	Liermann	16/237

* cited by examiner

Primary Examiner — Wan Laymon

Assistant Examiner — Mark Booker

(74) *Attorney, Agent, or Firm* — Joseph T. Leone, Esq.;
DeWitt Ross & Stevens S.C.

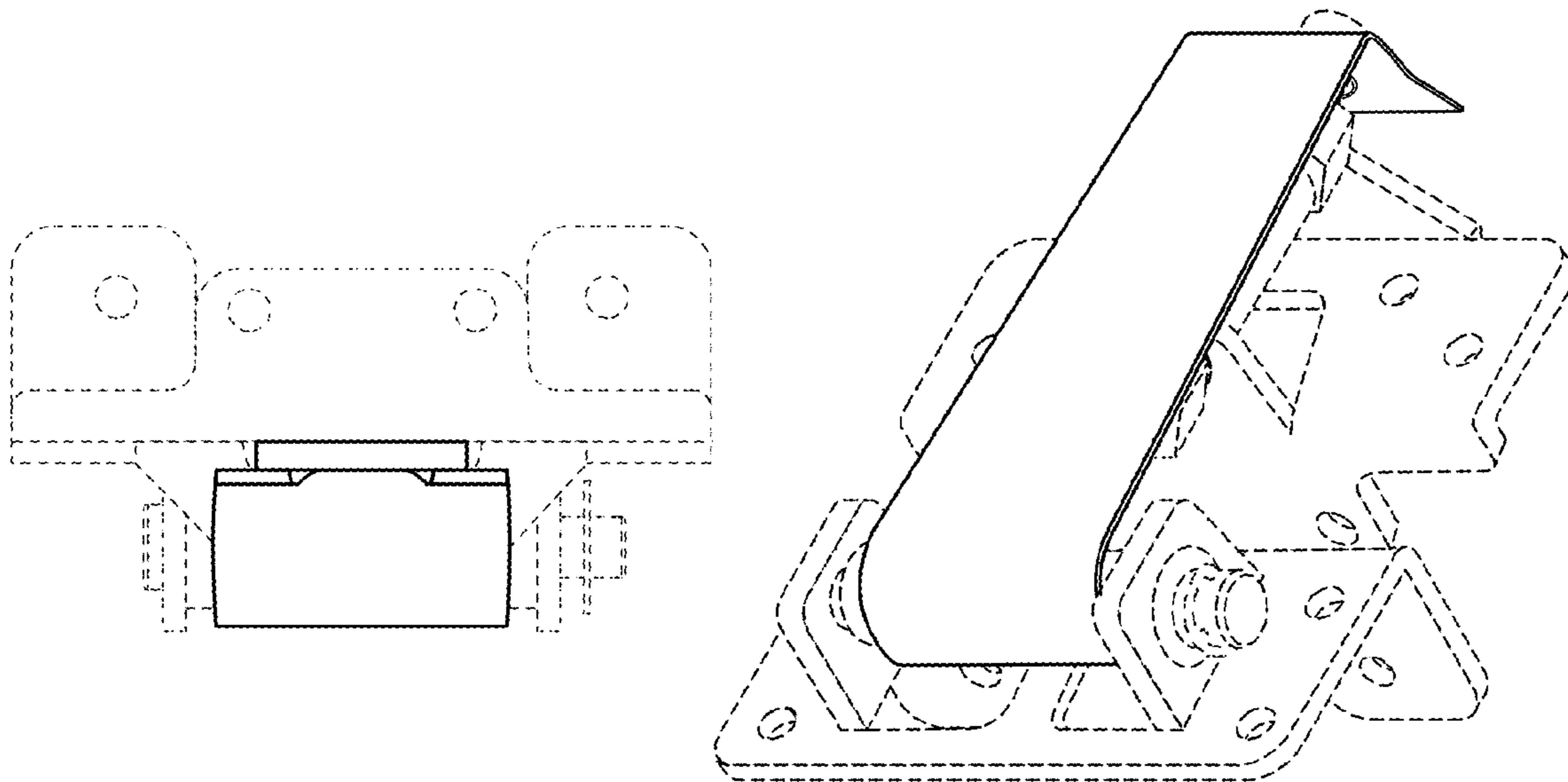
(57) **CLAIM**

The ornamental design for a hood to cover a hinge, as shown and described.

DESCRIPTION

FIG. 1 is a front elevation view of a hood to cover a hinge showing our new design;
FIG. 2 is a rear elevation view thereof;
FIG. 3 is a top perspective view thereof;
FIG. 4 is a top plan view thereof; and,
FIG. 5 is a right elevation view thereof; the left elevation view being a mirror image thereof.
The broken lines shown in the figures are included for the purpose of illustrating portions of the article and form no part of the claimed design.

1 Claim, 3 Drawing Sheets



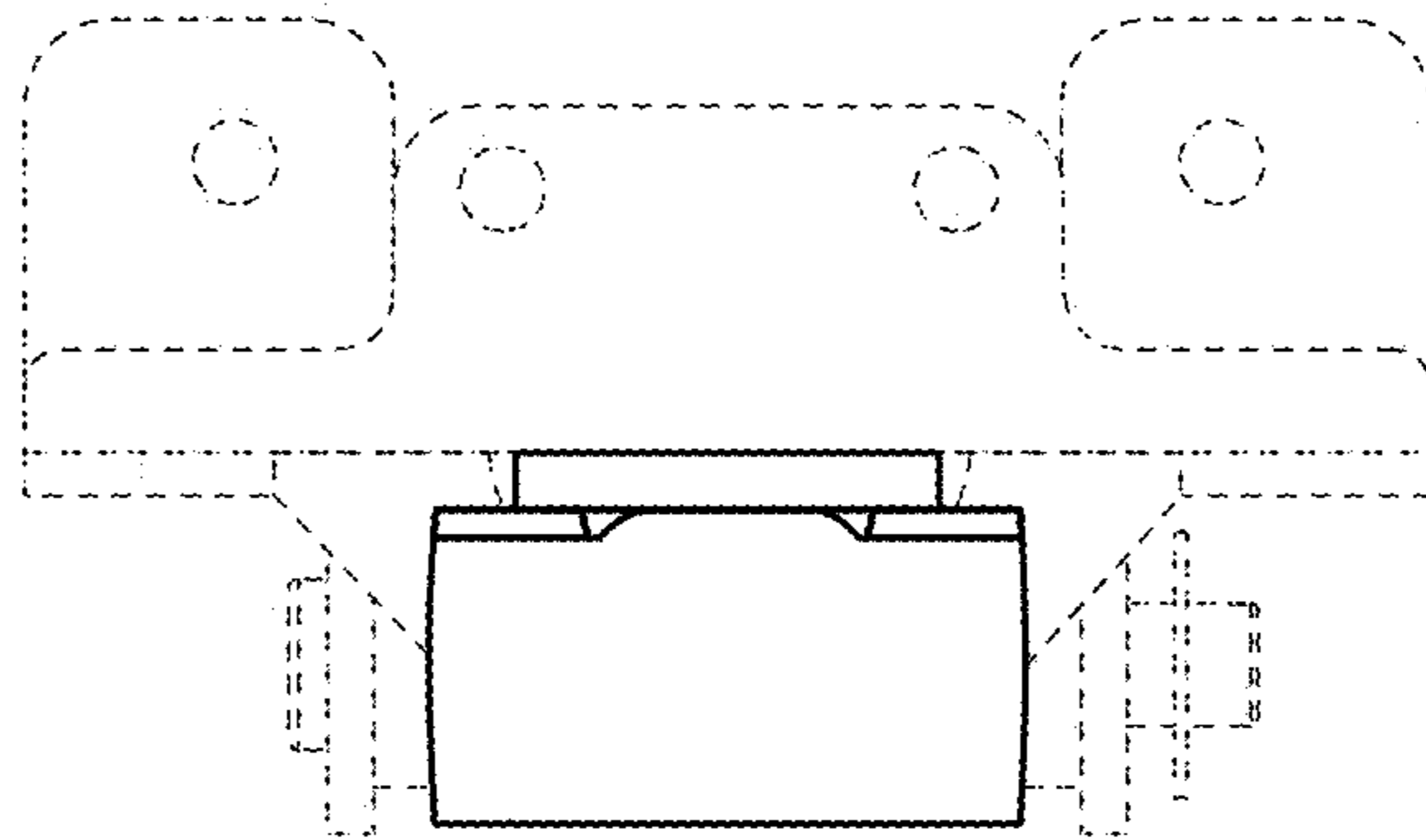


FIG. 1

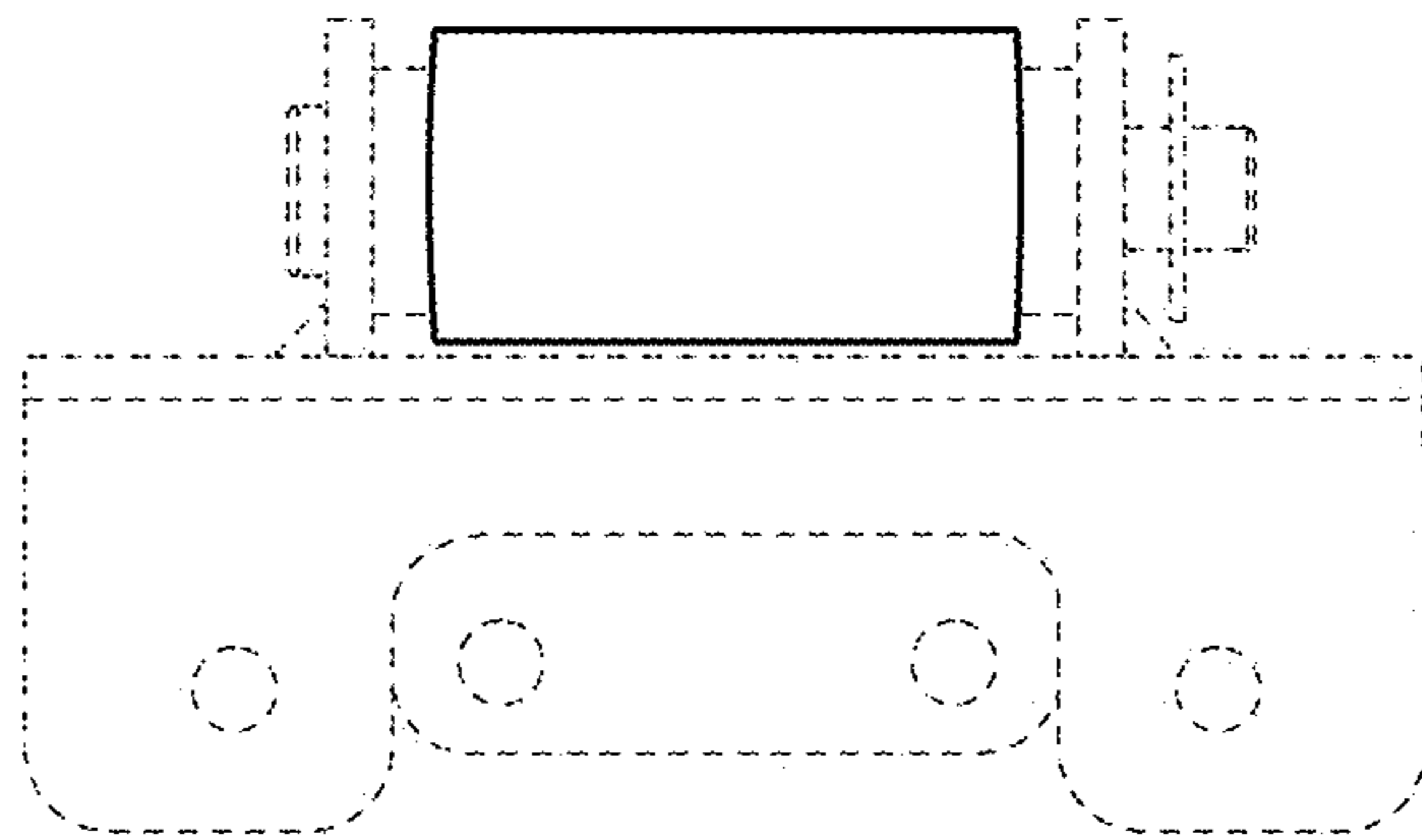


FIG. 2

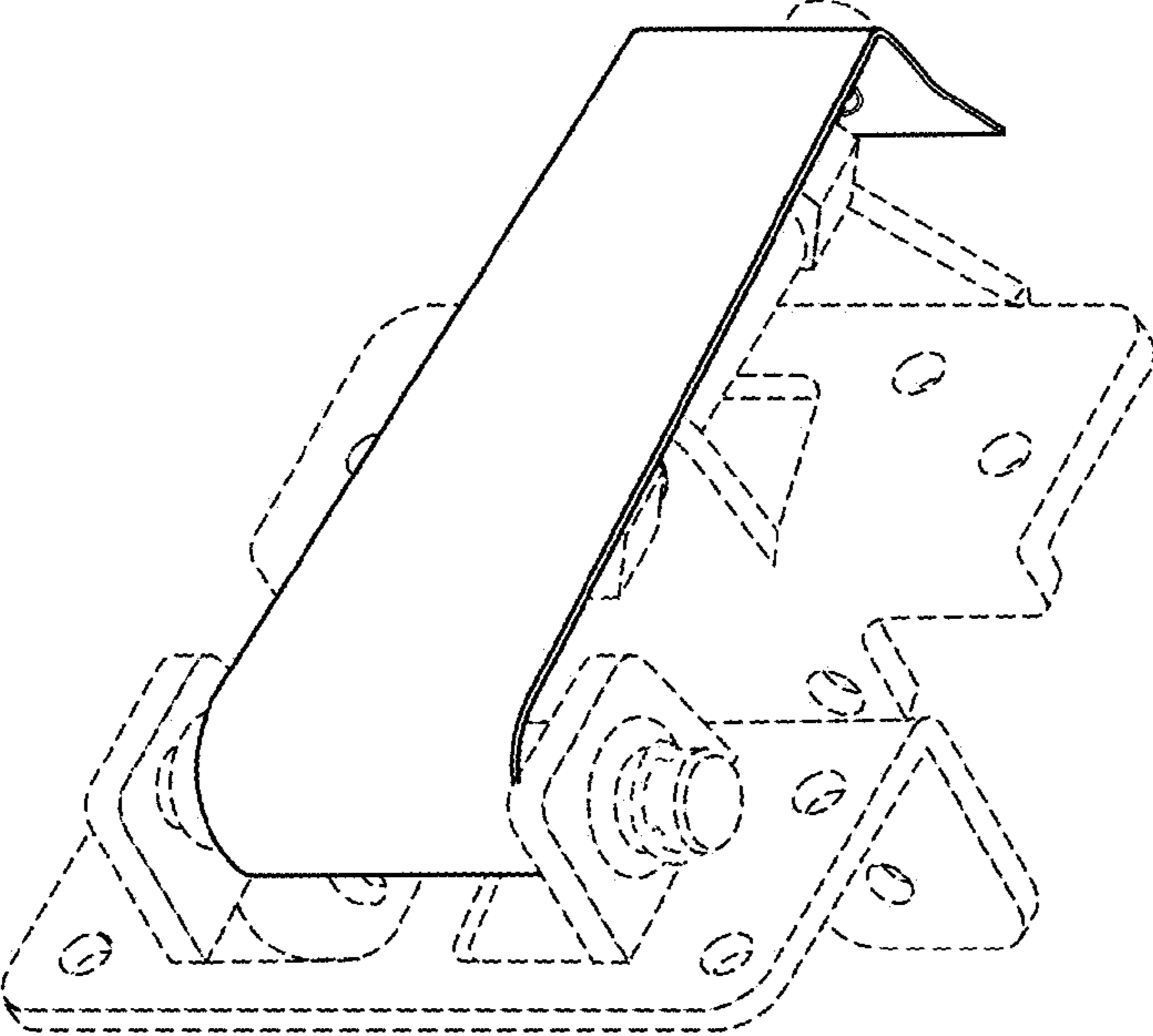


FIG. 3

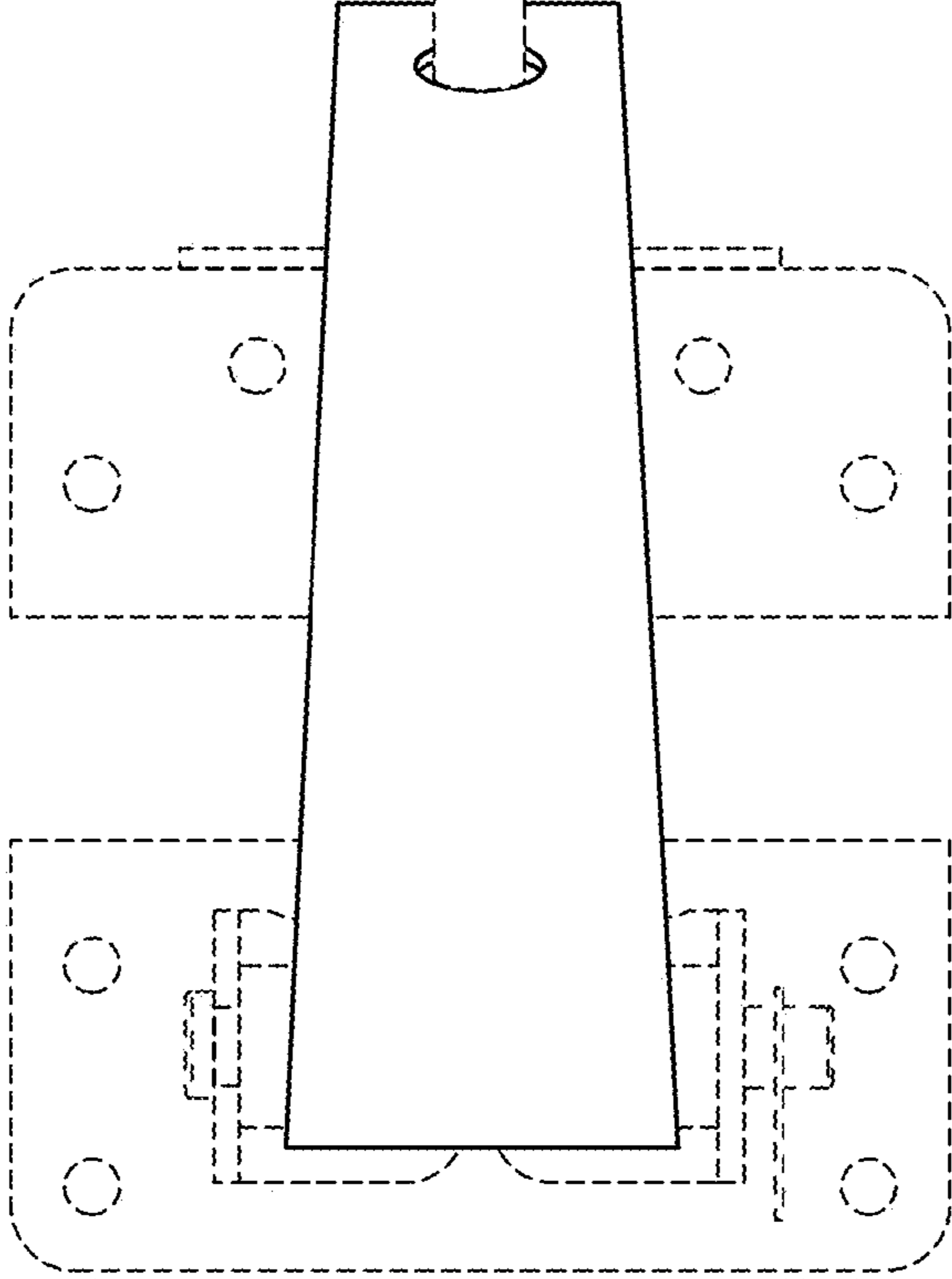


FIG. 4

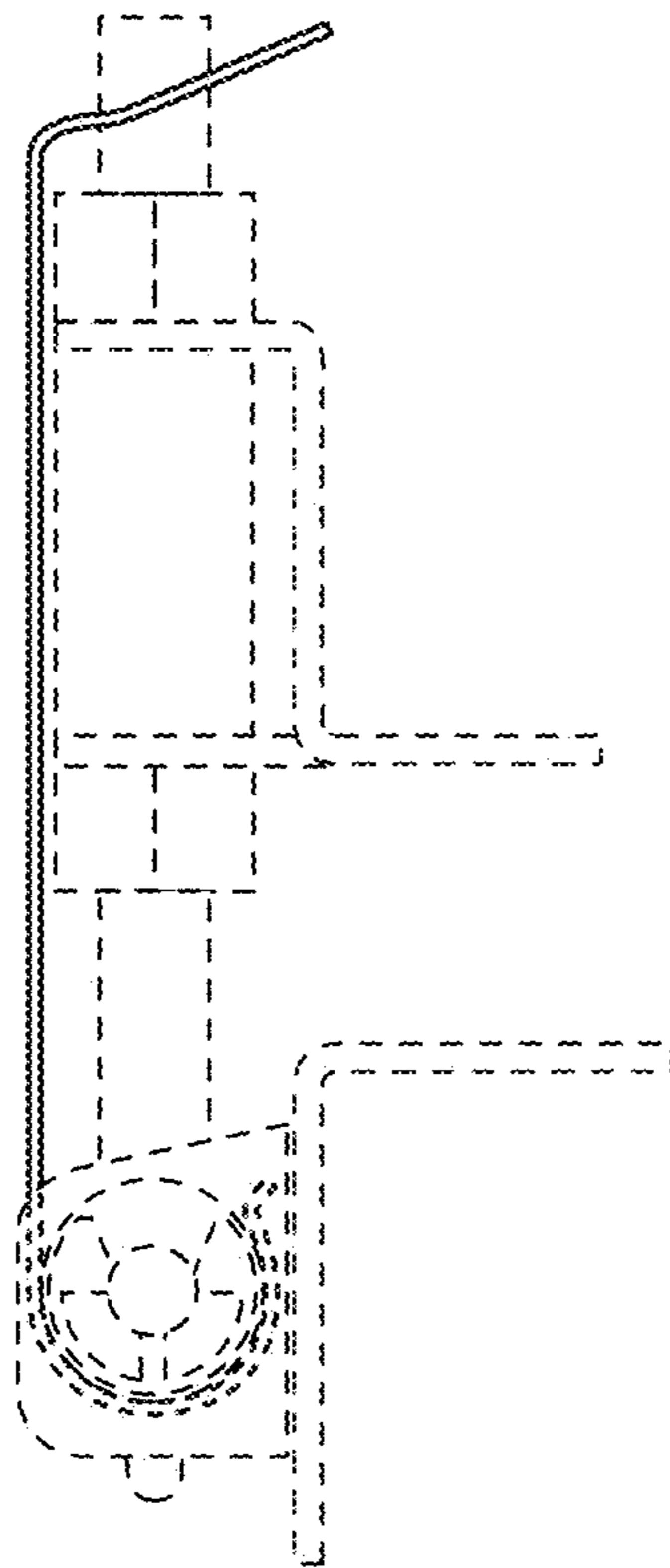


FIG. 5