



US00D741139S

(12) **United States Design Patent**  
**Sheppard**

(10) **Patent No.:** **US D741,139 S**

(45) **Date of Patent:** **\*\* Oct. 20, 2015**

(54) **U-SHAPED HANDLE**

(71) Applicant: **Canburg Limited**, Wiltshire (GB)

(72) Inventor: **Peter Ralph Sheppard**, London (GB)

(73) Assignee: **Canburg Limited**, Devizes (GB)

(\*\*) Term: **14 Years**

(21) Appl. No.: **29/502,923**

(22) Filed: **Sep. 22, 2014**

(51) **LOC (10) Cl.** ..... **08-06**

(52) **U.S. Cl.**  
USPC ..... **D8/319**

(58) **Field of Classification Search**

USPC ..... D8/300, 315–320, DIG. 1; D23/250,  
D23/254, 303–305; D99/11; D6/546, 549;  
D7/393, 394, 402; 211/16; 16/110.1,  
16/412, 413, 415, 419, 422, 424, 425,  
16/DIG. 19; D15/89; D3/318, 328  
CPC ..... Y10T 16/469; Y10T 16/44; Y10T 16/458;  
Y10T 16/498; Y10T 16/476; Y10T 16/459;  
Y10T 16/466; Y10T 16/4713; Y10T 16/4644;  
Y10T 16/513; Y10T 16/509; Y10T 16/473;  
Y10T 16/462; Y10T 16/4701; Y10T  
74/20732; Y10T 29/49826; Y10T 16/4719;  
Y10T 16/455; Y10T 16/4559; Y10T  
74/20828; Y10T 74/20738; Y10T 74/20762;  
Y10T 16/4628; Y10T 74/20864; Y10T  
16/4567; Y10T 16/4576; Y10T 16/501;  
Y10T 16/86

See application file for complete search history.

(56) **References Cited**

U.S. PATENT DOCUMENTS

D175,865	S	*	10/1955	Stone	.....	D8/319
2,768,721	A	*	10/1956	Burtchaell	.....	16/409
D179,716	S	*	2/1957	Burtchaell	.....	D8/306
D222,232	S	*	10/1971	Horgan	.....	D8/316
D232,072	S	*	7/1974	Szabo	.....	D8/306
D246,631	S	*	12/1977	Szabo	.....	D8/306
D312,380	S	*	11/1990	Kim	.....	D8/316
D351,702	S	*	10/1994	Breen	.....	D34/10
D417,080	S	*	11/1999	Korn et al.	.....	D3/318
D434,634	S	*	12/2000	Korn et al.	.....	D8/317
D532,041	S	*	11/2006	Ishigami et al.	.....	D18/50
D597,396	S	*	8/2009	Menzies	.....	D8/315
D679,985	S	*	4/2013	Ramsland et al.	.....	D8/317
D692,670	S	*	11/2013	Wu	.....	D3/318
D717,102	S	*	11/2014	Taketani et al.	.....	D7/392.1
D719,008	S	*	12/2014	Han	.....	D8/315
2014/0150210	A1	*	6/2014	Johnson	.....	16/110.1

\* cited by examiner

*Primary Examiner* — Derrick Holland

*Assistant Examiner* — Lauren Calve

(74) *Attorney, Agent, or Firm* — Gesmer Updegrave LLP

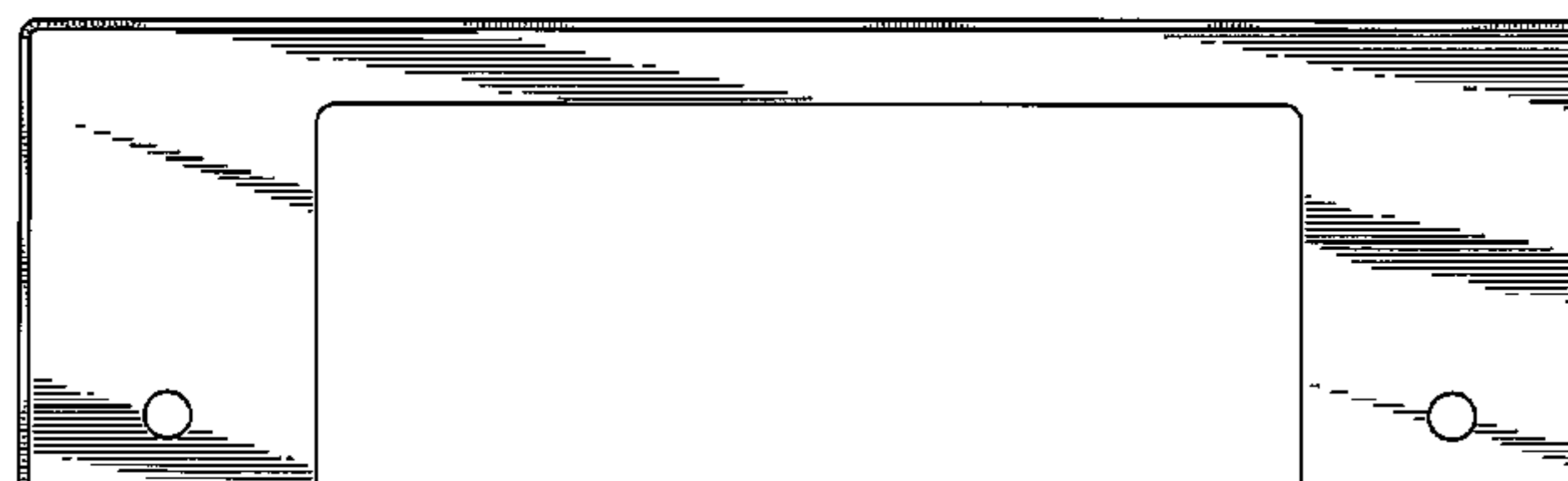
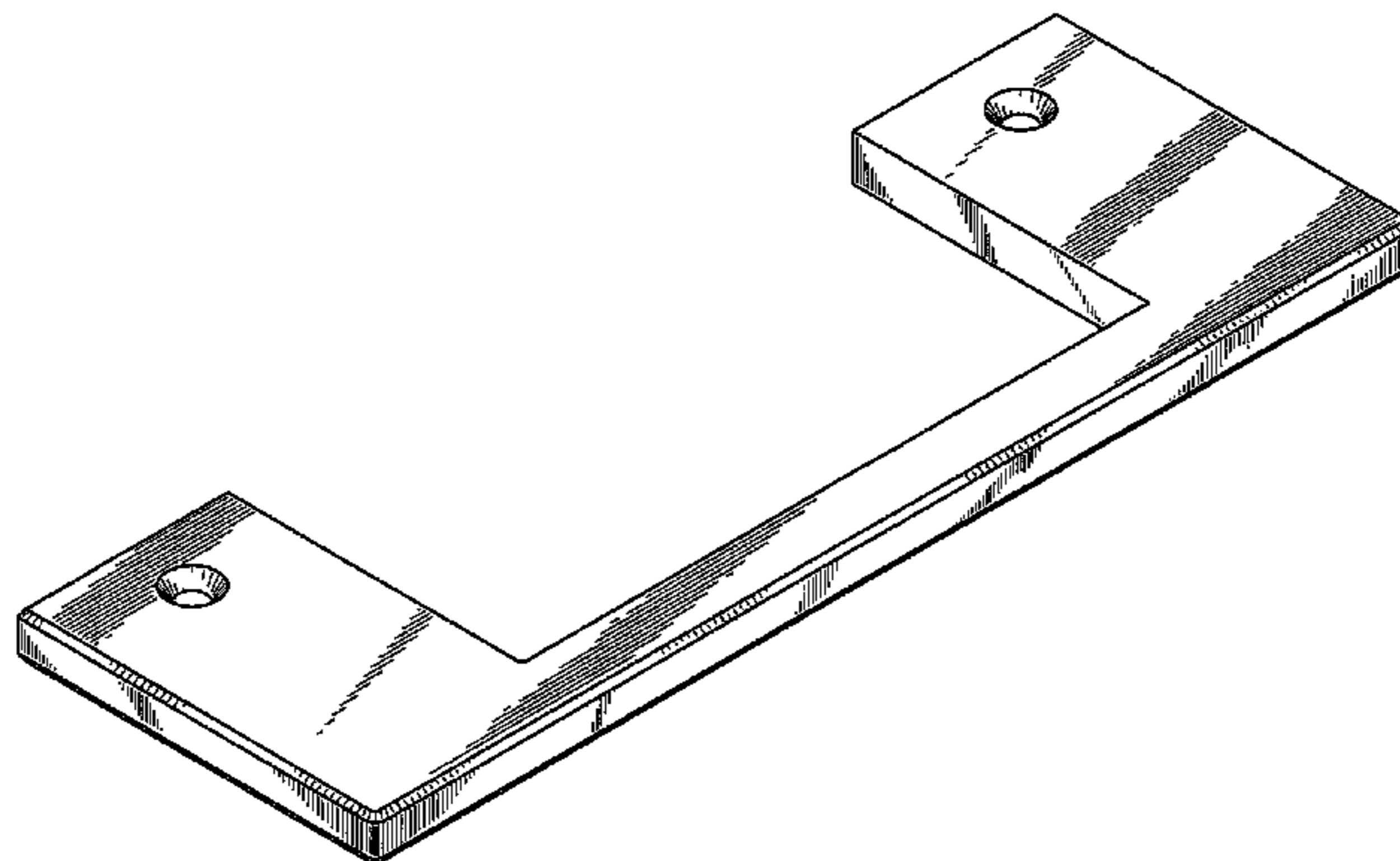
(57) **CLAIM**

What is claimed is the ornamental design for a U-shaped handle, as shown and described.

**DESCRIPTION**

FIG. 1 is a perspective view of a U-shaped handle;  
FIG. 2 is a front view thereof;  
FIG. 3 is a bottom view thereof;  
FIG. 4 is a back view thereof;  
FIG. 5 is a top view thereof;  
FIG. 6 is a left side view thereof; and,  
FIG. 7 is a right side view thereof.

**1 Claim, 3 Drawing Sheets**



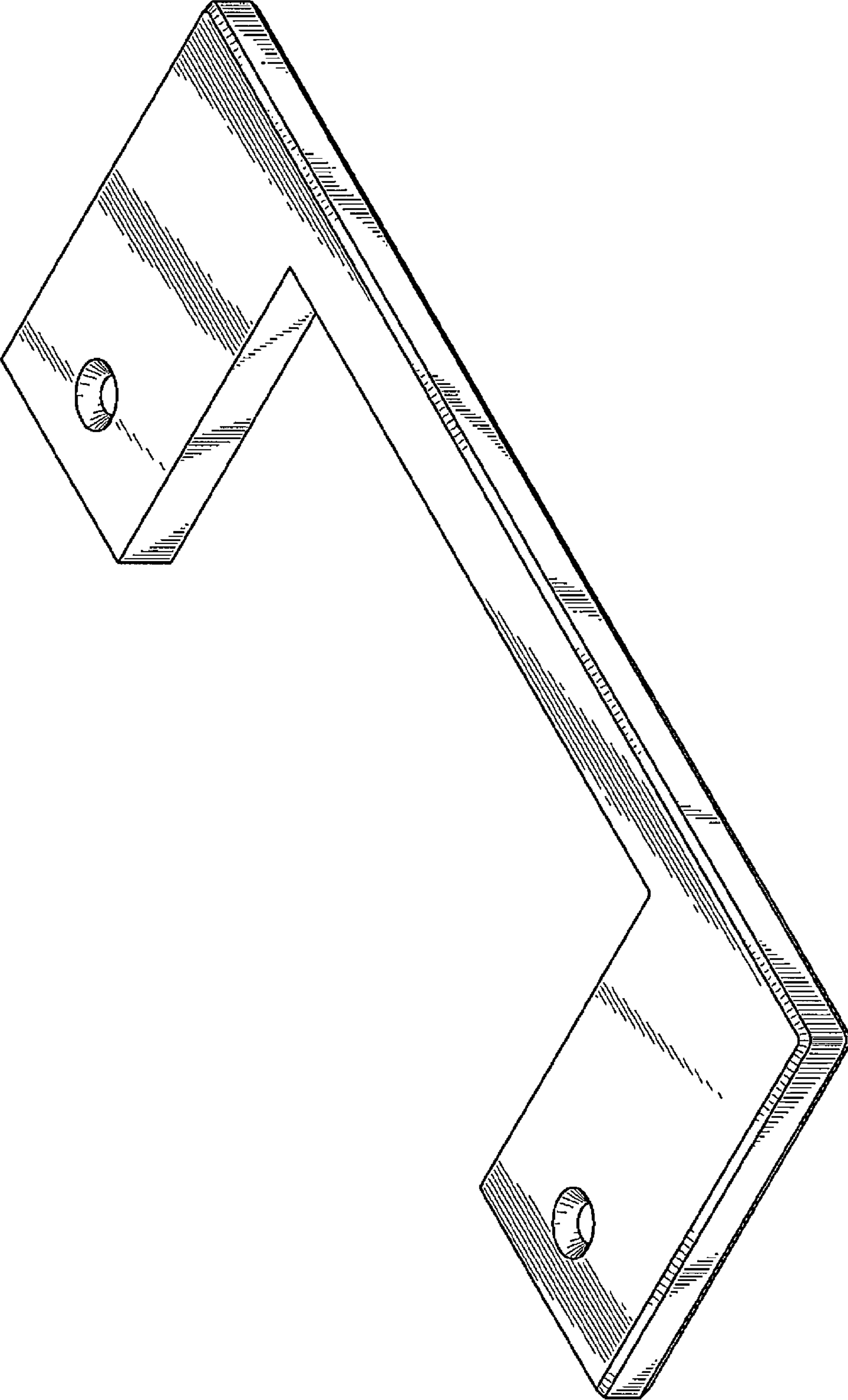


FIG. 1

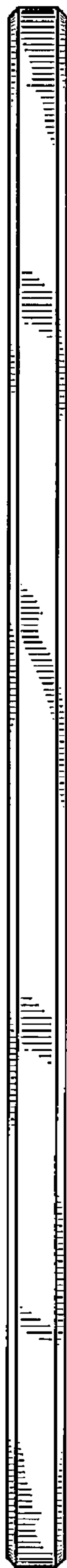


FIG. 2

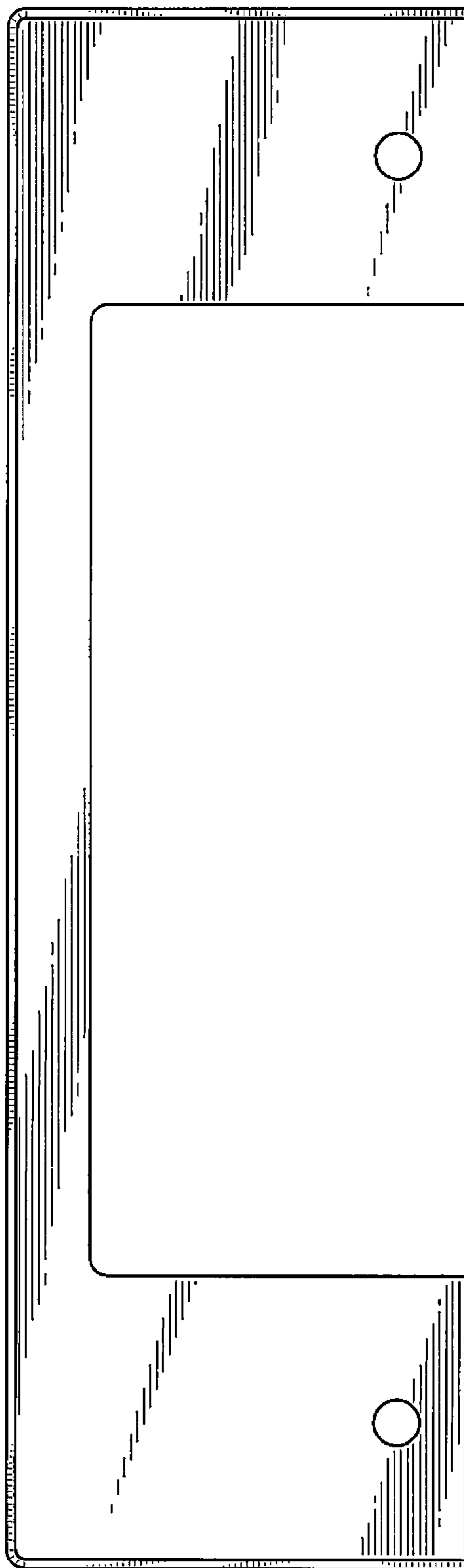


FIG. 3



FIG. 4

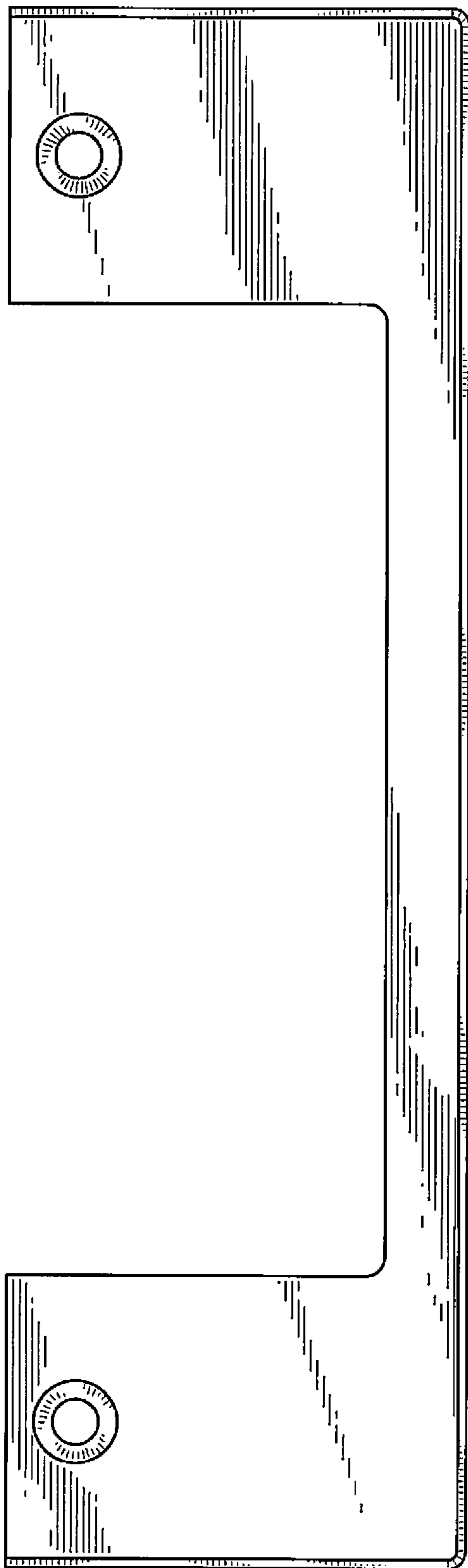


FIG. 5



FIG. 6

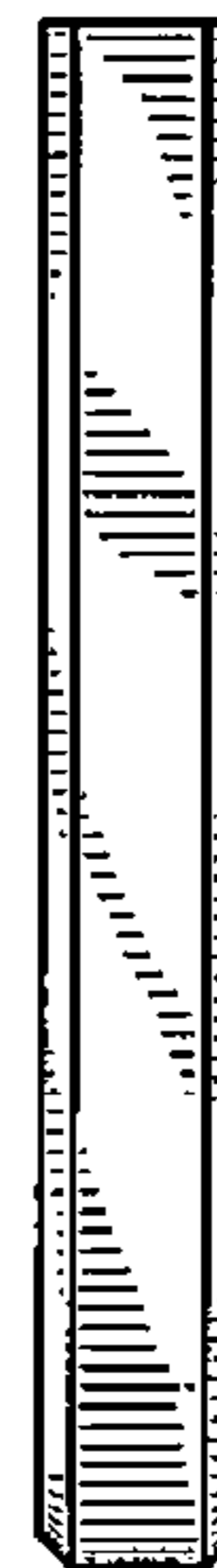


FIG. 7