



US00D741136S

(12) **United States Design Patent**
Yang et al.

(10) **Patent No.:** **US D741,136 S**

(45) **Date of Patent:** **** Oct. 20, 2015**

(54) **FAN-TYPE SAW BIT FOR VIBRATING SAW**

(71) Applicant: **NANJING JIN MEIDA TOOLS CO., LTD.**, Nanjing, Jiangsu (CN)

(72) Inventors: **Xiangjing Yang**, Nanjing (CN); **Donglei Yu**, Nanjing (CN)

(73) Assignee: **NANJING JIN MEIDA TOOLS CO., LTD.**, Nanjing (CN)

(**) Term: **14 Years**

(21) Appl. No.: **29/506,759**

(22) Filed: **Oct. 20, 2014**

(30) **Foreign Application Priority Data**

Apr. 18, 2014 (CN) 2014 3 0095213

(51) **LOC (10) Cl.** **08-03**
(52) **U.S. Cl.**
USPC **D8/70; D15/140**

(58) **Field of Classification Search**
USPC D8/70; D15/140; 30/166.3, 169, 272.1, 30/277.4, 294, 339, 347, 389, 392; 83/665, 666, 676, 835, 886; 125/15, 125/25, 13.01; 403/3, 316, 359.3, 163; 451/8, 28, 57, 163, 294, 342, 344, 349, 451/353, 356, 357, 359, 360, 41, 490, 494, 451/508, 509, 510, 511, 548, 559
CPC B23D 61/006; B23D 65/00; B26D 7/086; B26D 7/2614

See application file for complete search history.

(56) **References Cited**

U.S. PATENT DOCUMENTS

5,382,249 A * 1/1995 Fletcher 606/79
6,022,353 A * 2/2000 Fletcher et al. 606/79
D455,490 S * 4/2002 Pascaloff D24/146
6,503,253 B1 * 1/2003 Fletcher et al. 606/79
7,527,628 B2 * 5/2009 Fletcher et al. 606/79
D681,082 S * 4/2013 Neal et al. D15/139
D693,193 S * 11/2013 Bozic D8/20
D694,077 S * 11/2013 Bozic D8/20
2004/0243136 A1 * 12/2004 Gupta et al. 606/82
2012/0144676 A1 * 6/2012 Davidian et al. 30/142
2012/0311876 A1 * 12/2012 Zhang 30/347
2013/0269499 A1 * 10/2013 Bozic 83/697
2014/0190328 A1 * 7/2014 Karlen 83/853

* cited by examiner

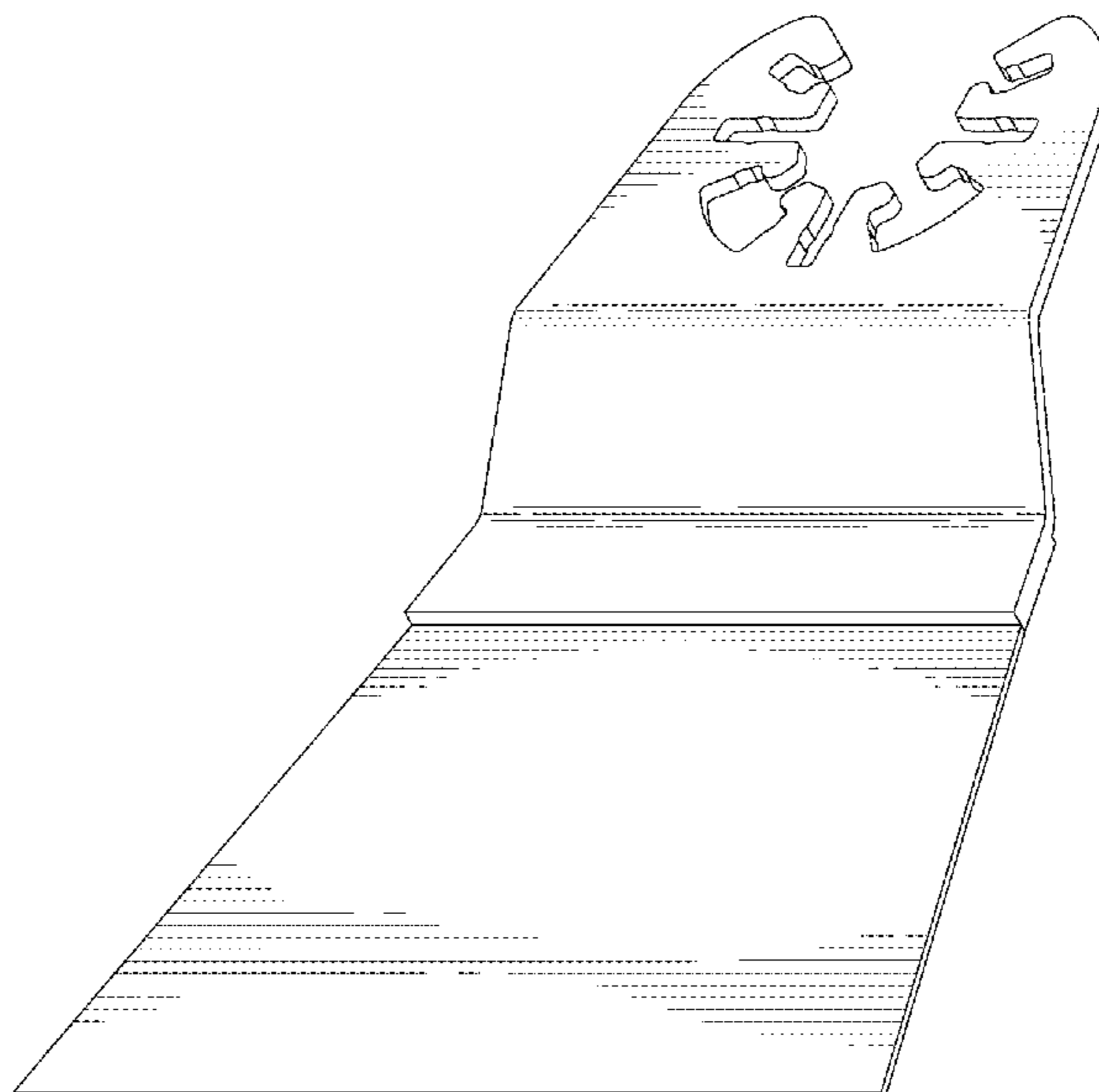
Primary Examiner — Philip S Hyder
Assistant Examiner — Darlington Ly
(74) *Attorney, Agent, or Firm* — Oliff PLC

(57) **CLAIM**
The ornamental design for a fan-type saw bit for vibrating saw, as shown and described.

DESCRIPTION

FIG. 1 is a perspective view of a fan-type saw bit for vibrating saw;
FIG. 2 is a front view thereof;
FIG. 3 is a top view thereof;
FIG. 4 is a right-side view thereof;
FIG. 5 is a left-side view thereof;
FIG. 6 is a rear view thereof; and,
FIG. 7 is a bottom view thereof.

1 Claim, 4 Drawing Sheets



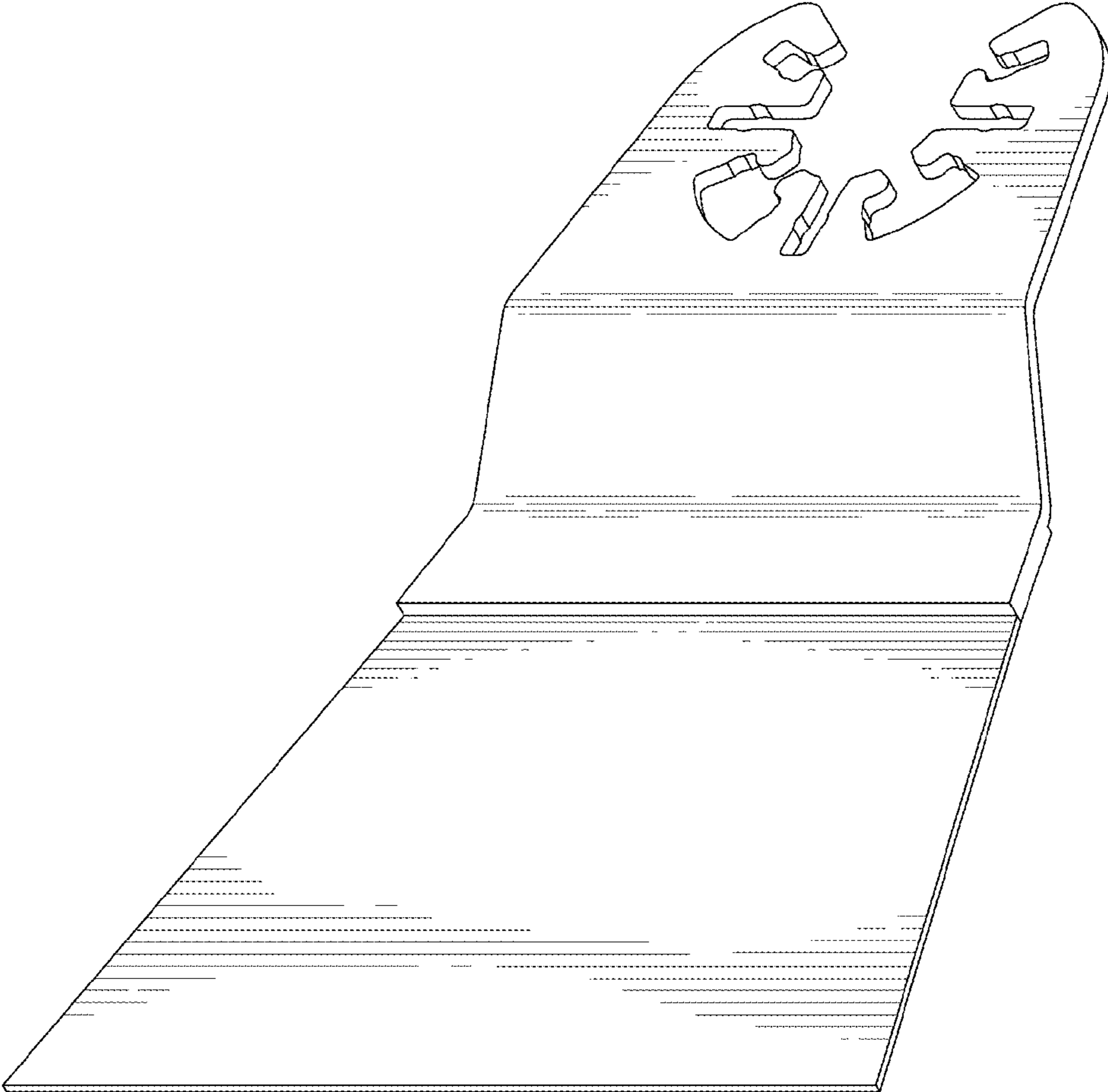


FIG. 1

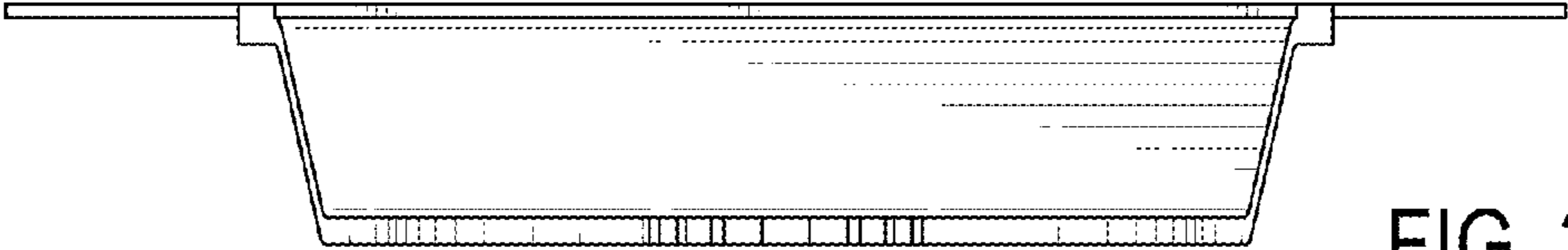


FIG. 3

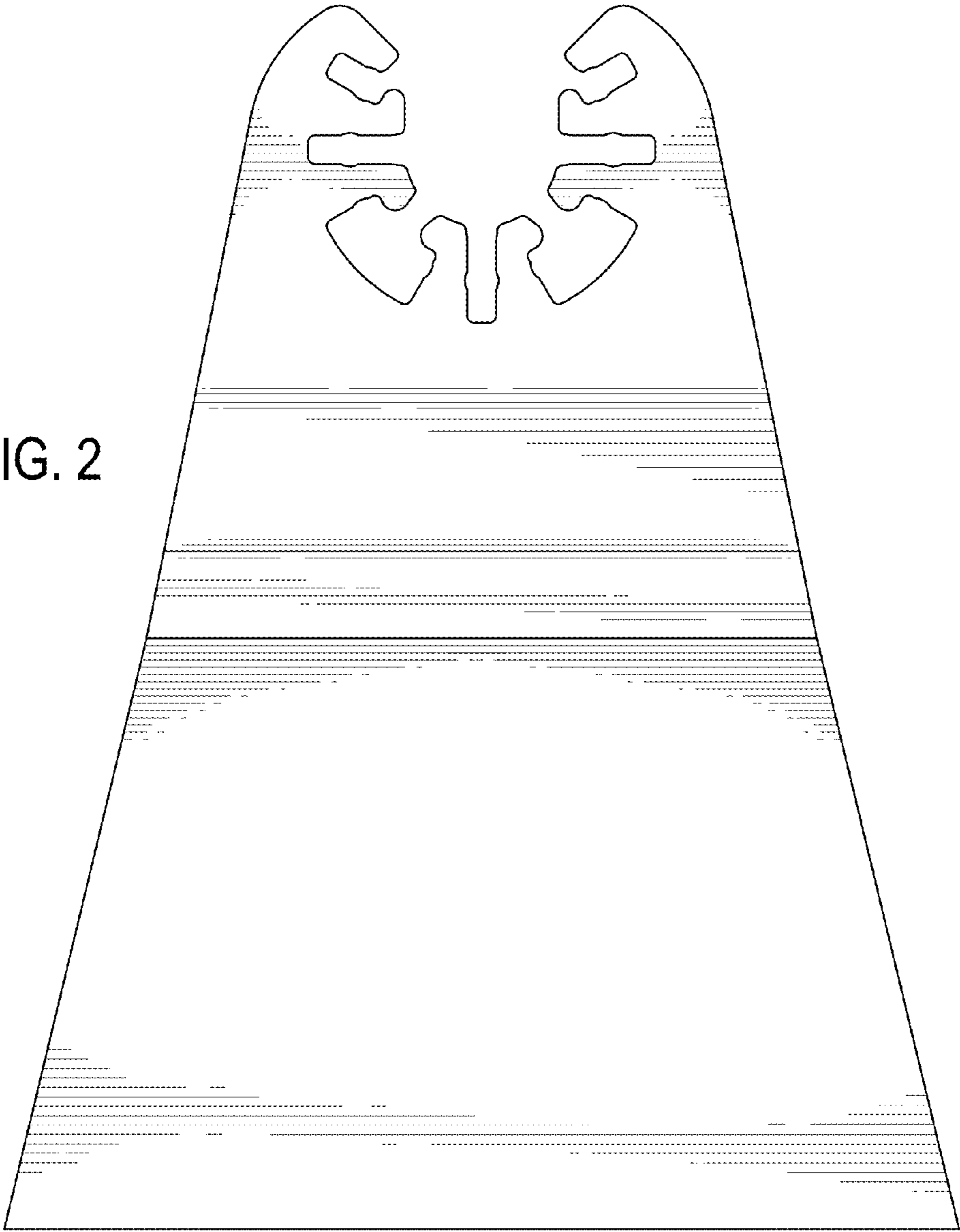


FIG. 2

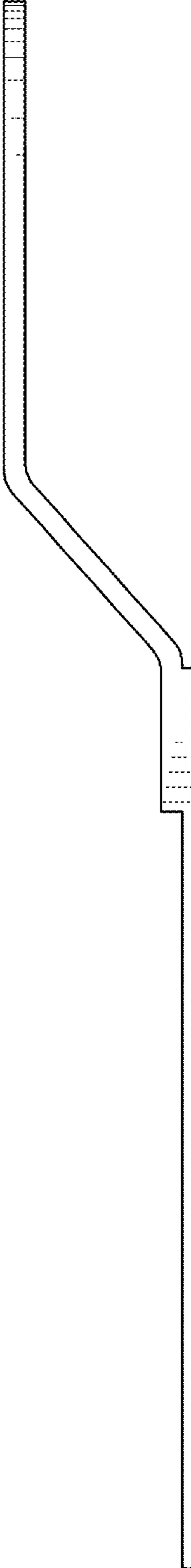


FIG. 4

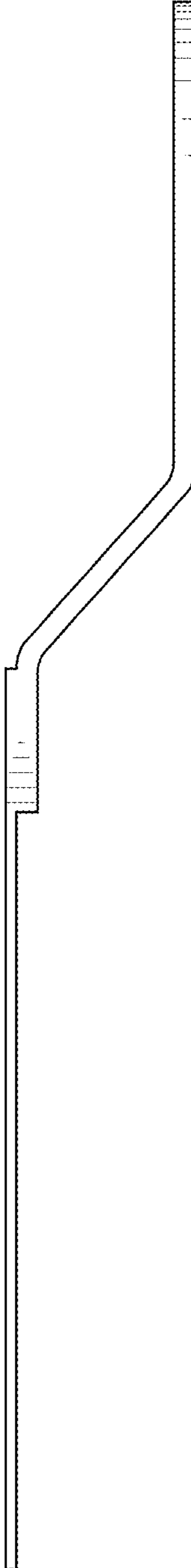


FIG. 5

FIG. 6

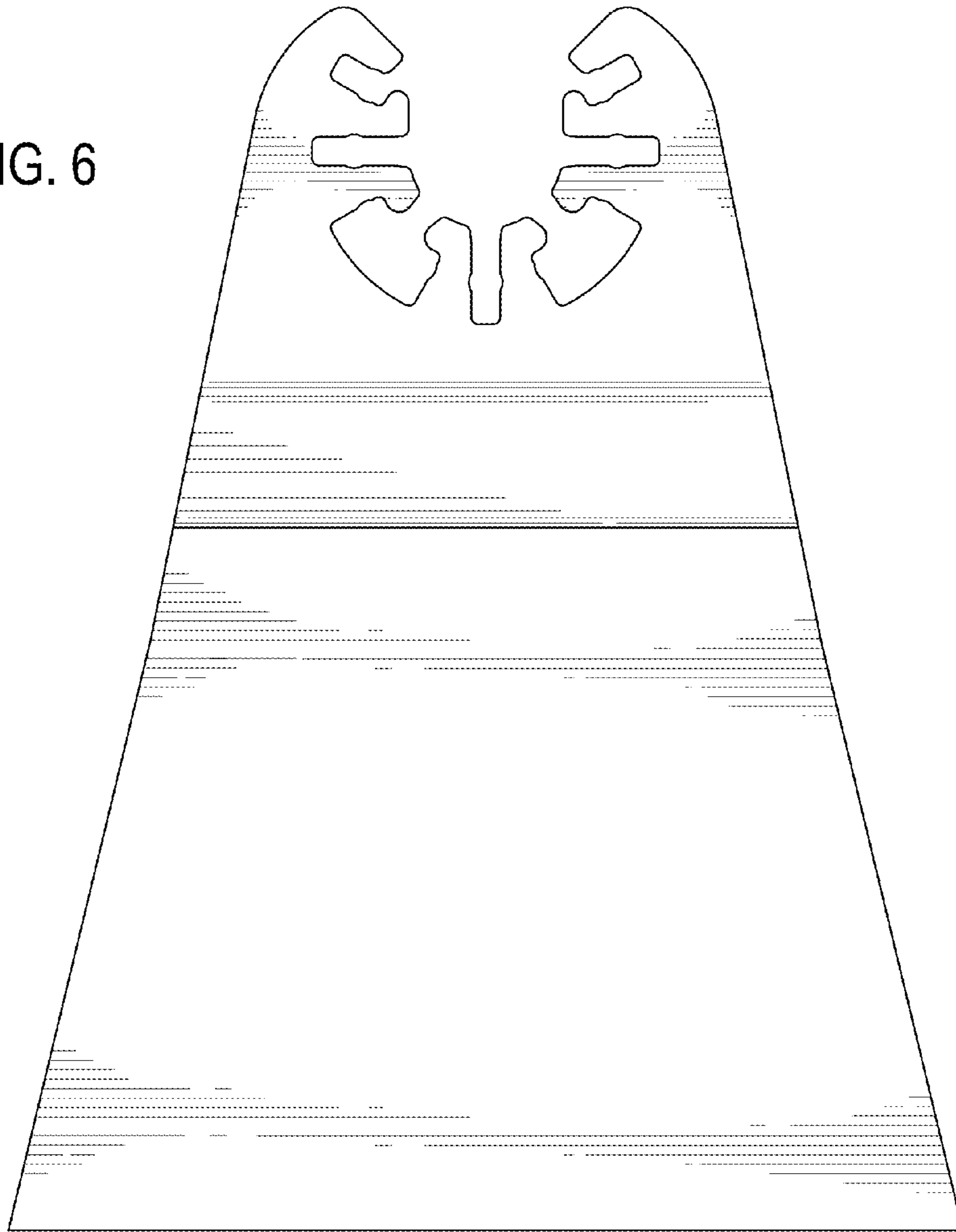


FIG. 7

