



US00D741134S

(12) **United States Design Patent**  
**Massey et al.**

(10) **Patent No.:** **US D741,134 S**  
(45) **Date of Patent:** **\*\* Oct. 20, 2015**

- (54) **KEYLESS CHUCK**
- (71) Applicant: **Apex Brands, Inc.**, Sparks, MD (US)
- (72) Inventors: **Barry G. Massey**, Seneca, SC (US); **Jin Li**, Suzhou (CN); **Ting Zhang**, Suzhou (CN); **Jichun Zhou**, Suzhou (CN)
- (73) Assignee: **Apex Brands, Inc.**, Sparks, MD (US)
- (\*\*) Term: **14 Years**
- (21) Appl. No.: **29/497,876**
- (22) Filed: **Jul. 29, 2014**
- (51) **LOC (10) Cl.** ..... **08-03**
- (52) **U.S. Cl.**  
USPC ..... **D8/70; D15/140**
- (58) **Field of Classification Search**  
USPC ..... D8/70, 71, 85, 86, 349, 359, 382, 387, D8/394, 397; D15/138, 139; 81/124.2, 81/176.15, 176.2, 177.1, 177.2, 437; 279/62, 143, 145, 902; 299/87.1, 106, 299/107, 109; 408/143, 144, 153, 223; 411/179, 180, 427, 429, 918; D22/134, D22/137, 138, 140, 141; 242/118.4, 118.41, 242/311, 322; 33/733; D3/24, 25  
CPC .... B25B 15/00; B25B 23/0035; B25B 23/12; B25B 23/0028; B25B 23/00; B25B 23/10; B25B 23/08; B25F 1/003; B25G 1/066  
See application file for complete search history.

D542,815	S	*	5/2007	Concari et al.	.....	D15/140
D569,208	S	*	5/2008	Concari	.....	D8/70
D587,085	S	*	2/2009	Wright	.....	D8/68
D593,390	S	*	6/2009	Sakamaki et al.	.....	D8/70
2007/0235952	A1	*	10/2007	Mack	.....	279/62
2008/0143062	A1	*	6/2008	Mack	.....	279/62
2010/0127463	A1	*	5/2010	Zhou et al.	.....	279/61

**FOREIGN PATENT DOCUMENTS**

DE	102006058199	A1	*	6/2008	.....	B23B 31/12
DE	102007045965	A1	*	4/2009	.....	B23B 31/12
FR	2798609	A1	*	3/2001	.....	B23B 31/167
JP	2006346854	A	*	12/2006	.....	B23B 31/12
JP	2007168072	A	*	7/2007	.....	B23B 31/12

\* cited by examiner

*Primary Examiner* — Philip S Hyder  
*Assistant Examiner* — Darlington Ly  
(74) *Attorney, Agent, or Firm* — Nelson Mullins Riley & Scarborough, Inc.

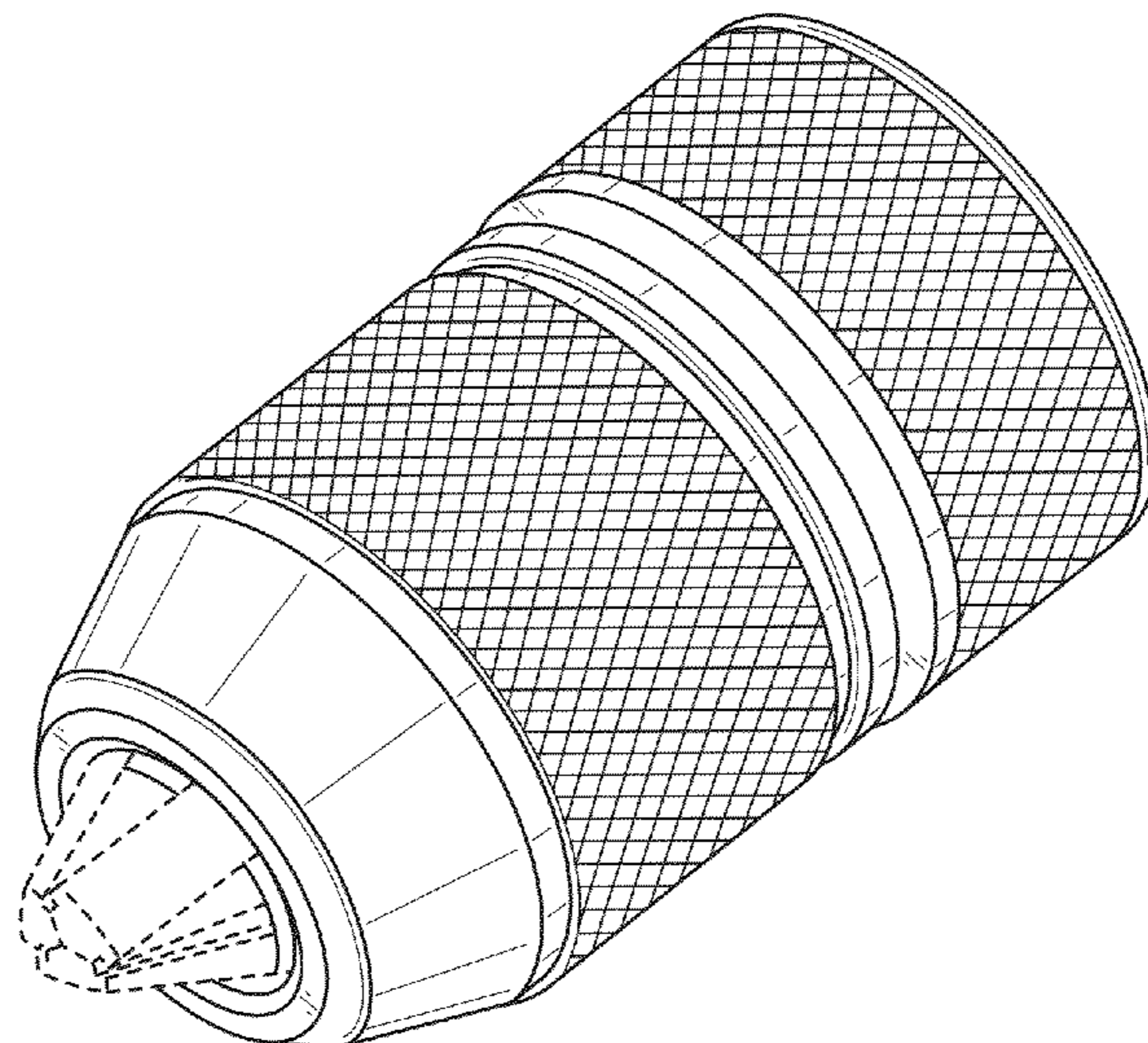
(57) **CLAIM**  
The ornamental design for a keyless chuck, as shown and described.

**DESCRIPTION**

FIG. 1 is a front perspective view of a keyless chuck embodying the design of the present invention; FIG. 2 is rear perspective view thereof; FIG. 3 is a side elevation view thereof; FIG. 4 is a rear elevation view thereof; FIG. 5 is a front elevation view thereof, wherein the radial jaws are closed; and, FIG. 6 is a front elevation view thereof, wherein the radial jaws are shown open. The broken line showing radial jaws is for the purpose of illustrating portions of the keyless chuck and forms no part of the claimed design.

**1 Claim, 6 Drawing Sheets**

- (56) **References Cited**  
U.S. PATENT DOCUMENTS  
1,495,233 A \* 5/1924 McConnell ..... 279/62  
D402,675 S \* 12/1998 Long ..... D15/140  
D426,840 S \* 6/2000 Sakamaki ..... D15/140  
D427,216 S \* 6/2000 Miles et al. .... D15/140  
D471,571 S \* 3/2003 Concari ..... D15/140  
D514,416 S \* 2/2006 Watson ..... D8/70



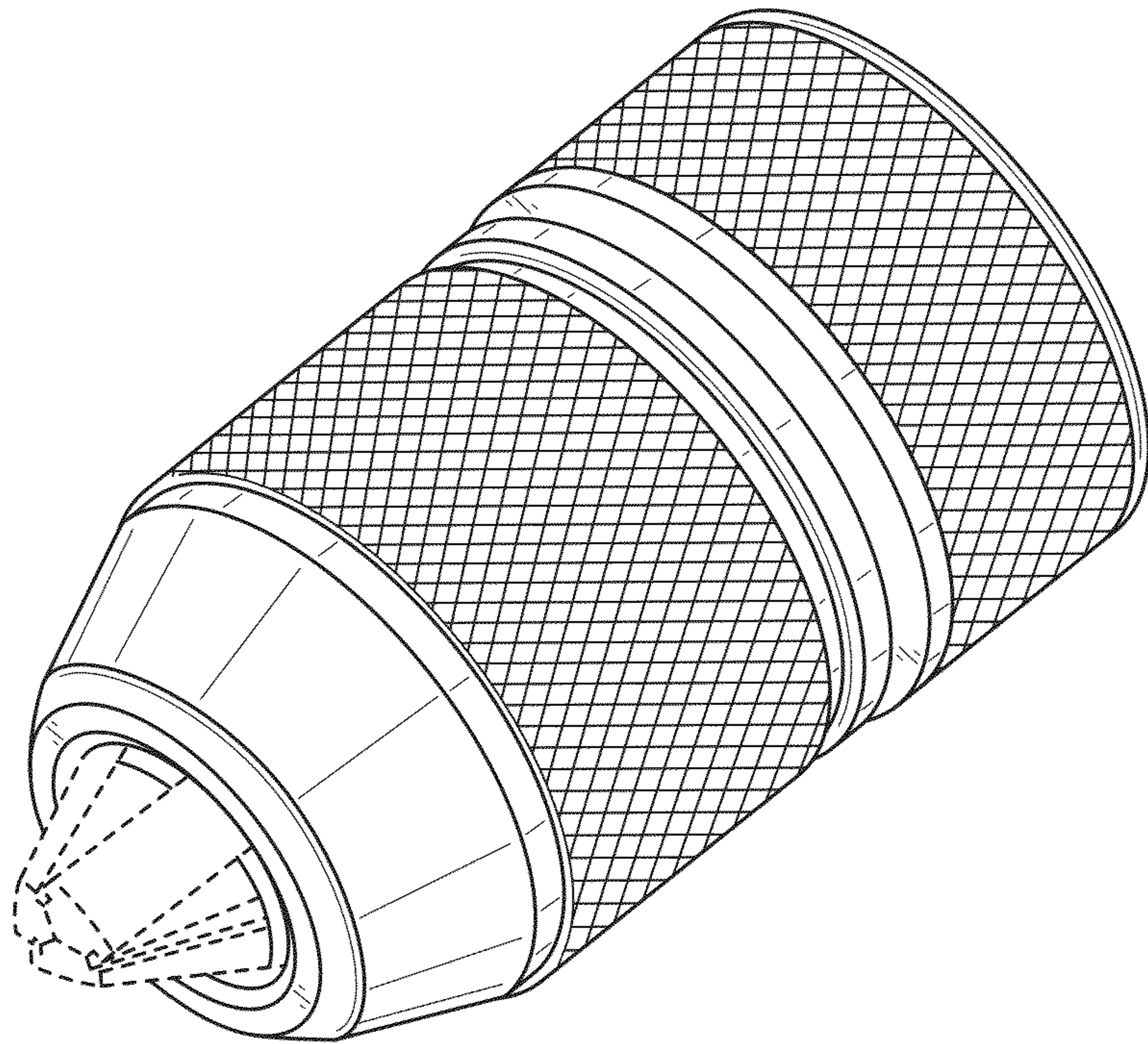


FIG. 1

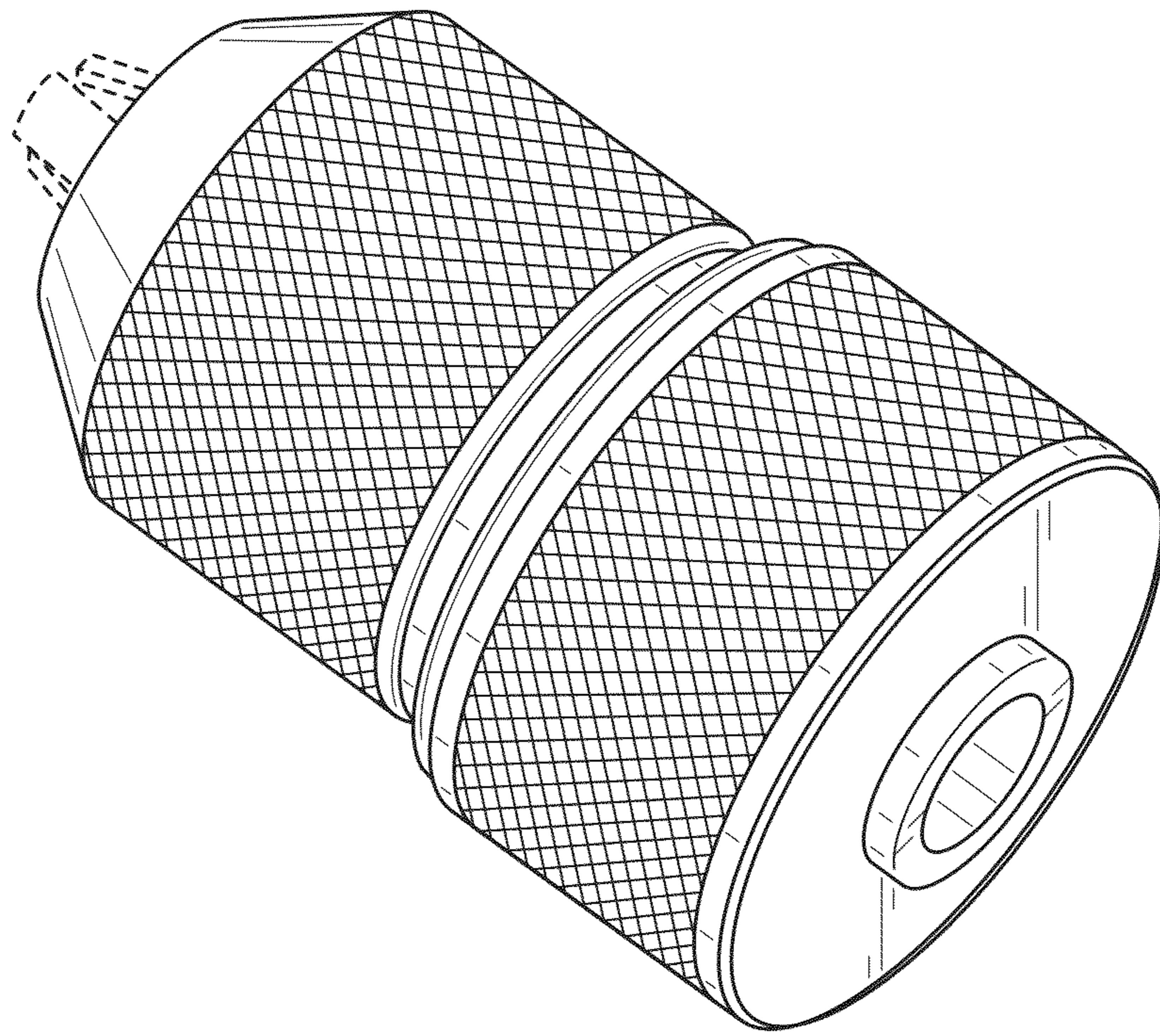


FIG. 2

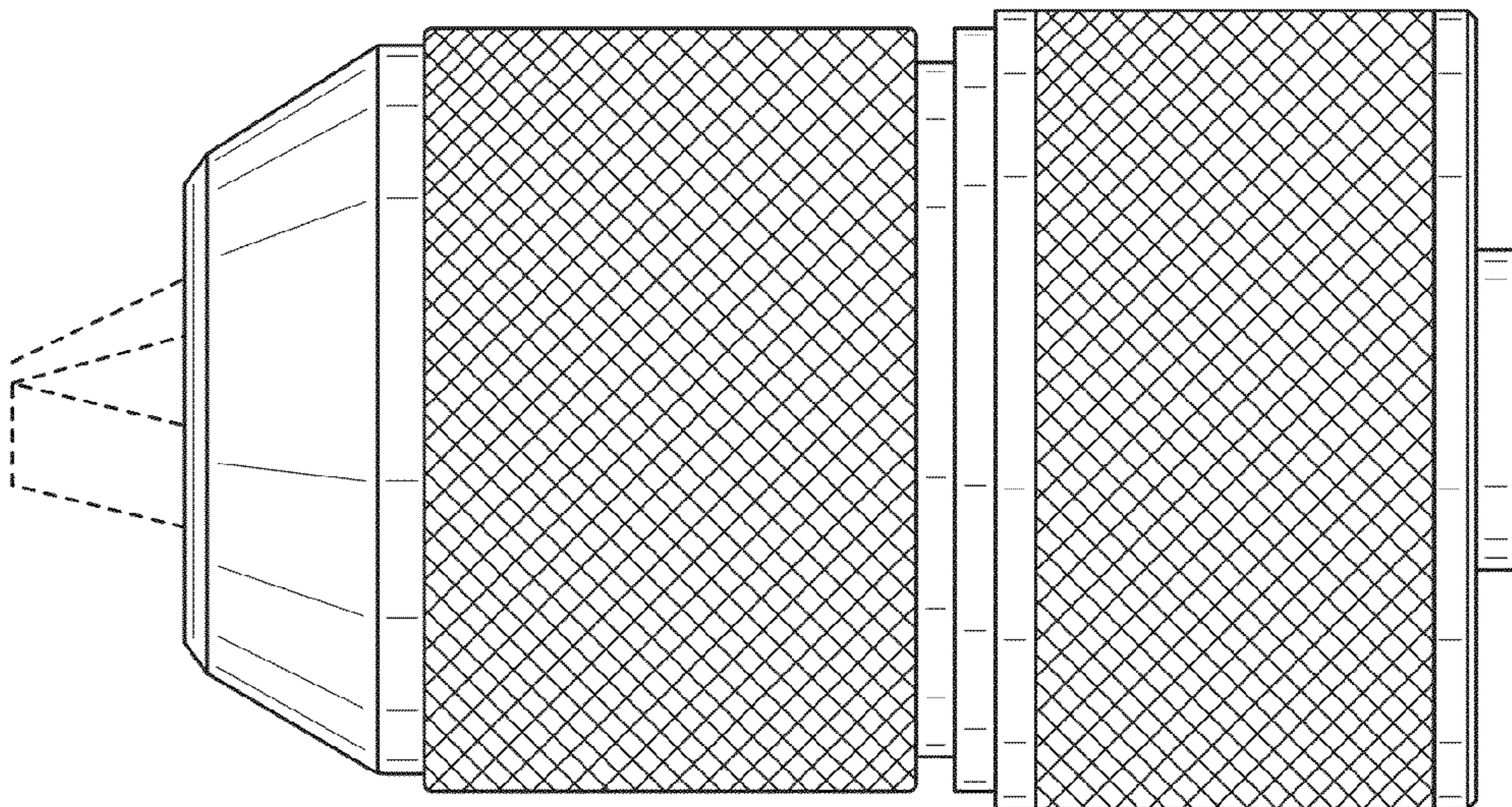


FIG. 3

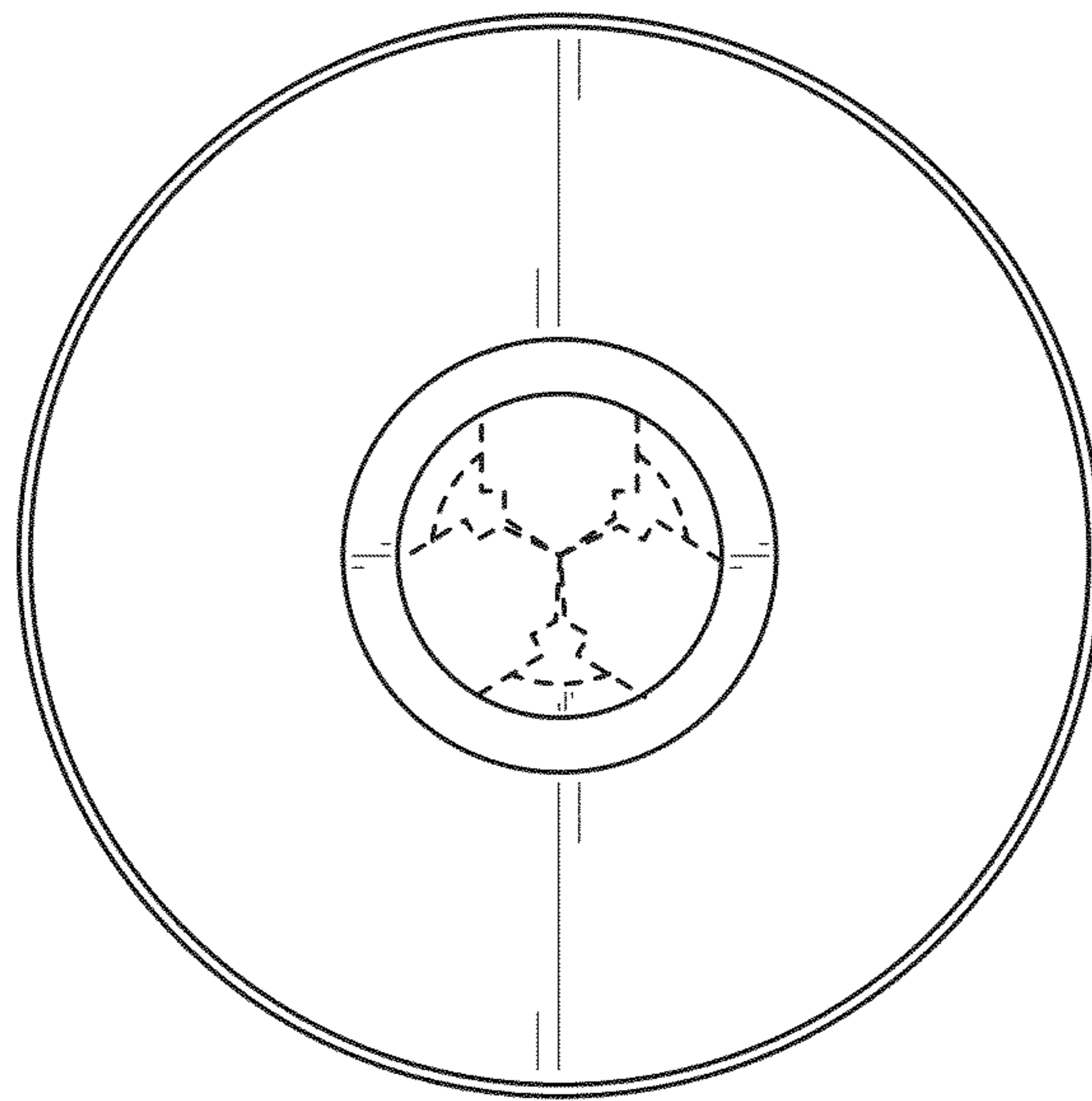


FIG. 4

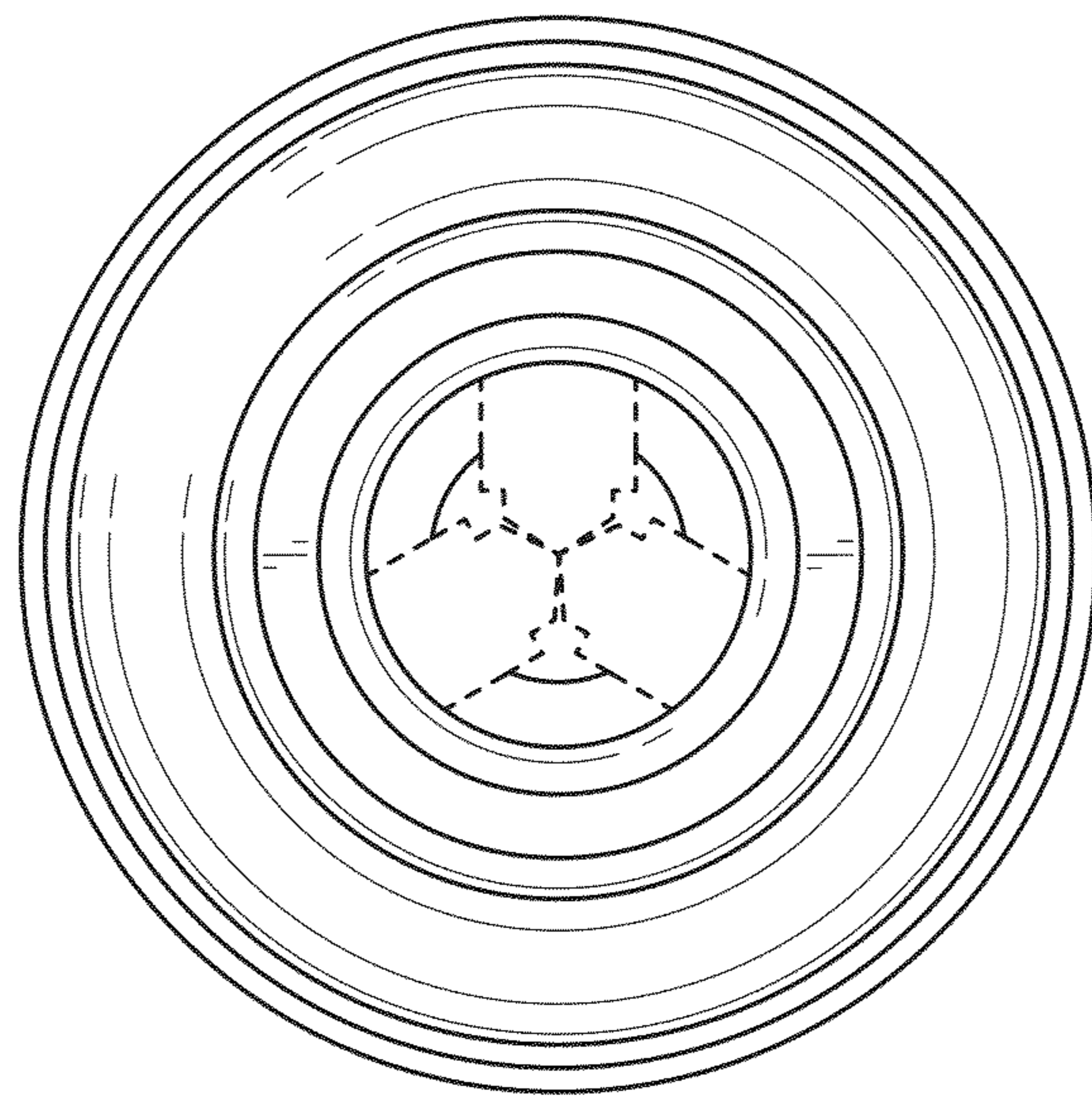


FIG. 5

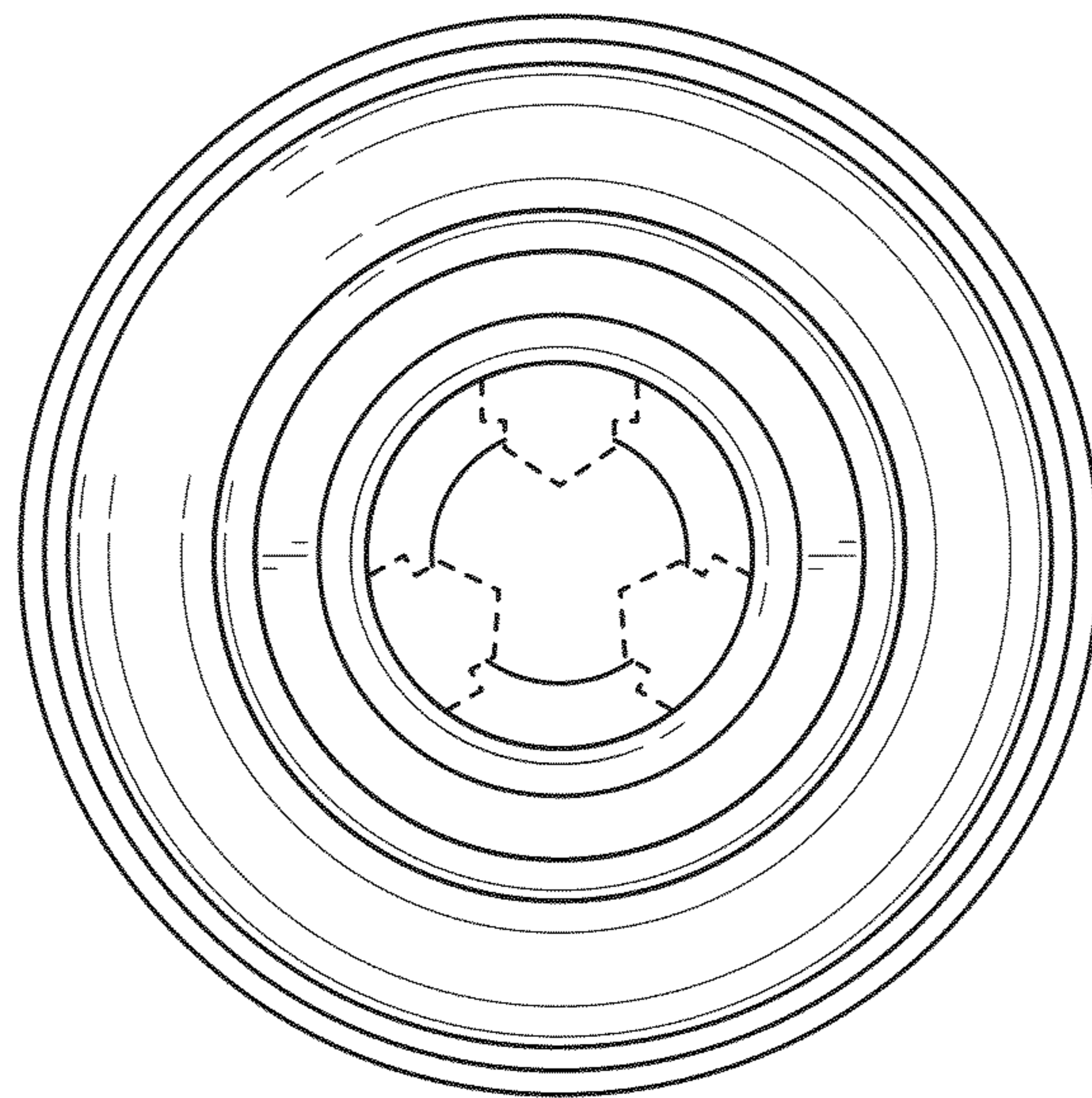


FIG. 6