



US00D741133S

(12) **United States Design Patent**
Tinius

(10) **Patent No.:** **US D741,133 S**

(45) **Date of Patent:** **** Oct. 20, 2015**

(54) **CHAIN SPROCKET COVER**

(71) Applicant: **Andreas Stihl AG & Co. KG**,
Waiblingen (DE)

(72) Inventor: **Michael Tinius**, Ulm (DE)

(73) Assignee: **Andreas Stihl AG & Co. KG**,
Waiblingen (DE)

(**) Term: **14 Years**

(21) Appl. No.: **29/440,288**

(22) Filed: **Dec. 20, 2012**

(30) **Foreign Application Priority Data**

Aug. 2, 2012 (EP) 002082818-0005

(51) **LOC (10) Cl.** **08-03**

(52) **U.S. Cl.**
USPC **D8/70; D8/65**

(58) **Field of Classification Search**
USPC D8/65, 7, 8, 9, 66, 64, 61, 98, 14, 51,
D8/99, 107, 70, 68, 60, 85, 21, 25, 24, 29,
D8/36, 40; 30/386, 382, 123, 381, 165,
30/123.3, 123.4, 319, 292, 307, 162, 306,
30/263, 92, 371; 125/21; D21/532;
83/832, 833, 834; 74/54, 49
CPC B27B 17/02
See application file for complete search history.

(56) **References Cited**

U.S. PATENT DOCUMENTS

D273,947 S * 5/1984 Johnson D12/127
D364,836 S * 12/1995 Schlangen et al. D12/127
6,167,689 B1 * 1/2001 Heidrich et al. 59/78.1

D470,441 S * 2/2003 Su-Jung D12/127
D525,268 S * 7/2006 Stahel et al. D15/5
D544,509 S * 6/2007 Tiller et al. D15/148
D557,182 S * 12/2007 Wu D12/127
D636,450 S * 4/2011 Wu D21/694
2002/0124421 A1 * 9/2002 Hermes et al. 30/386
2009/0325751 A1 * 12/2009 Carstensen 474/145
2013/0091715 A1 * 4/2013 Zimmermann et al. 30/382
2013/0269673 A1 * 10/2013 Buchholtz et al. 125/21
2013/0318802 A1 * 12/2013 Kapinsky et al. 30/383

* cited by examiner

Primary Examiner — Robert M Spear

Assistant Examiner — Kendra L Hamilton

(74) *Attorney, Agent, or Firm* — McGuireWoods LLP

(57) **CLAIM**

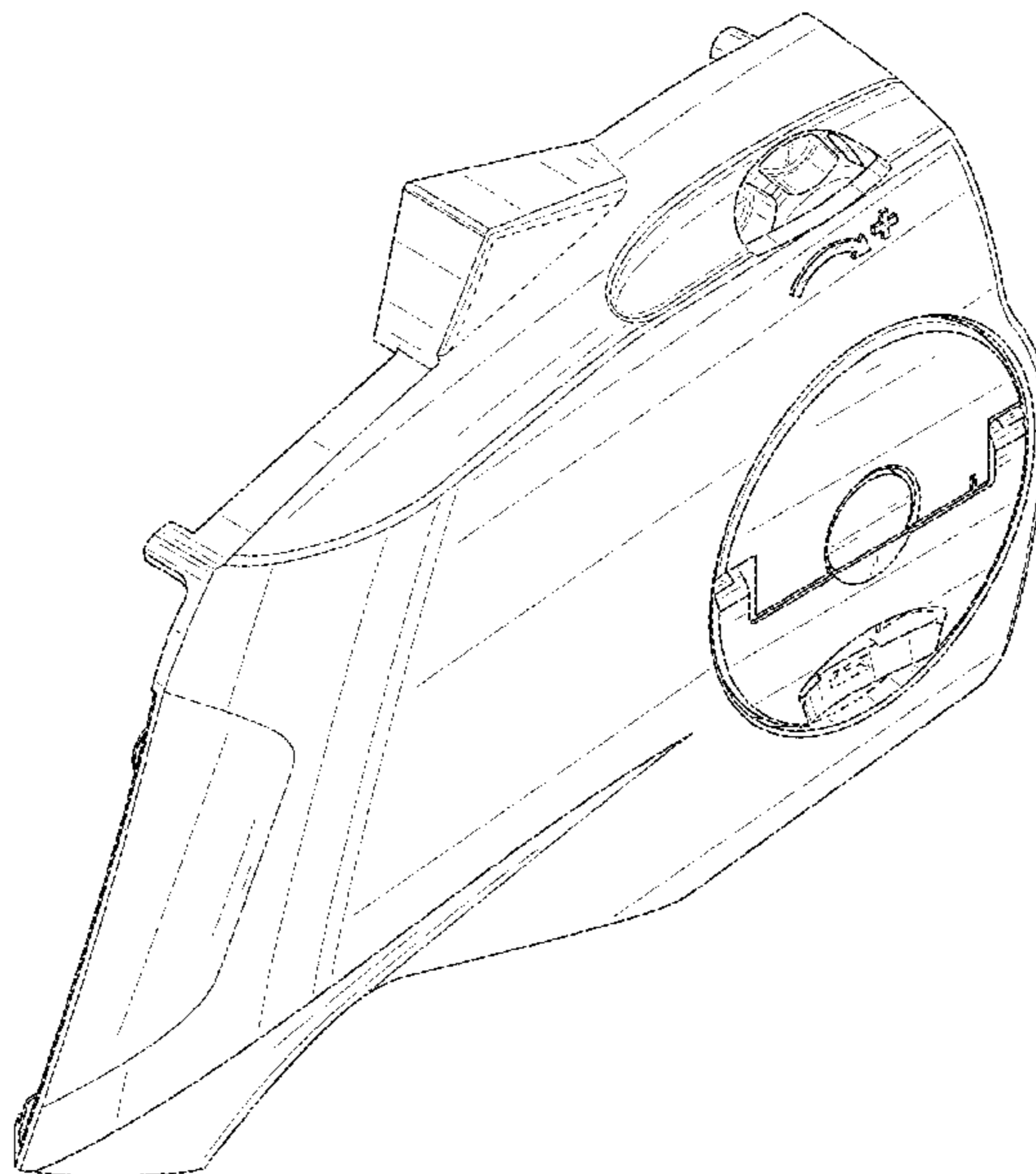
I claim the ornamental design for a chain sprocket cover, as shown and described.

DESCRIPTION

FIG. 1 is a right perspective view of the chain sprocket cover; FIG. 2 is a right side view of the chain sprocket cover shown in FIG. 1; FIG. 3 is a left side view of the chain sprocket cover shown in FIG. 1; FIG. 4 is a front view of the chain sprocket cover shown in FIG. 1; FIG. 5 is a rear view of the chain sprocket cover shown in FIG. 1; FIG. 6 is a top view of the chain sprocket cover shown in FIG. 1; and, FIG. 7 is a bottom view of the chain sprocket cover shown in FIG. 1.

The subject matter shown in dashed lines, and any surfaces of the design not shown, including interior surfaces, form no part of the claimed.

1 Claim, 5 Drawing Sheets



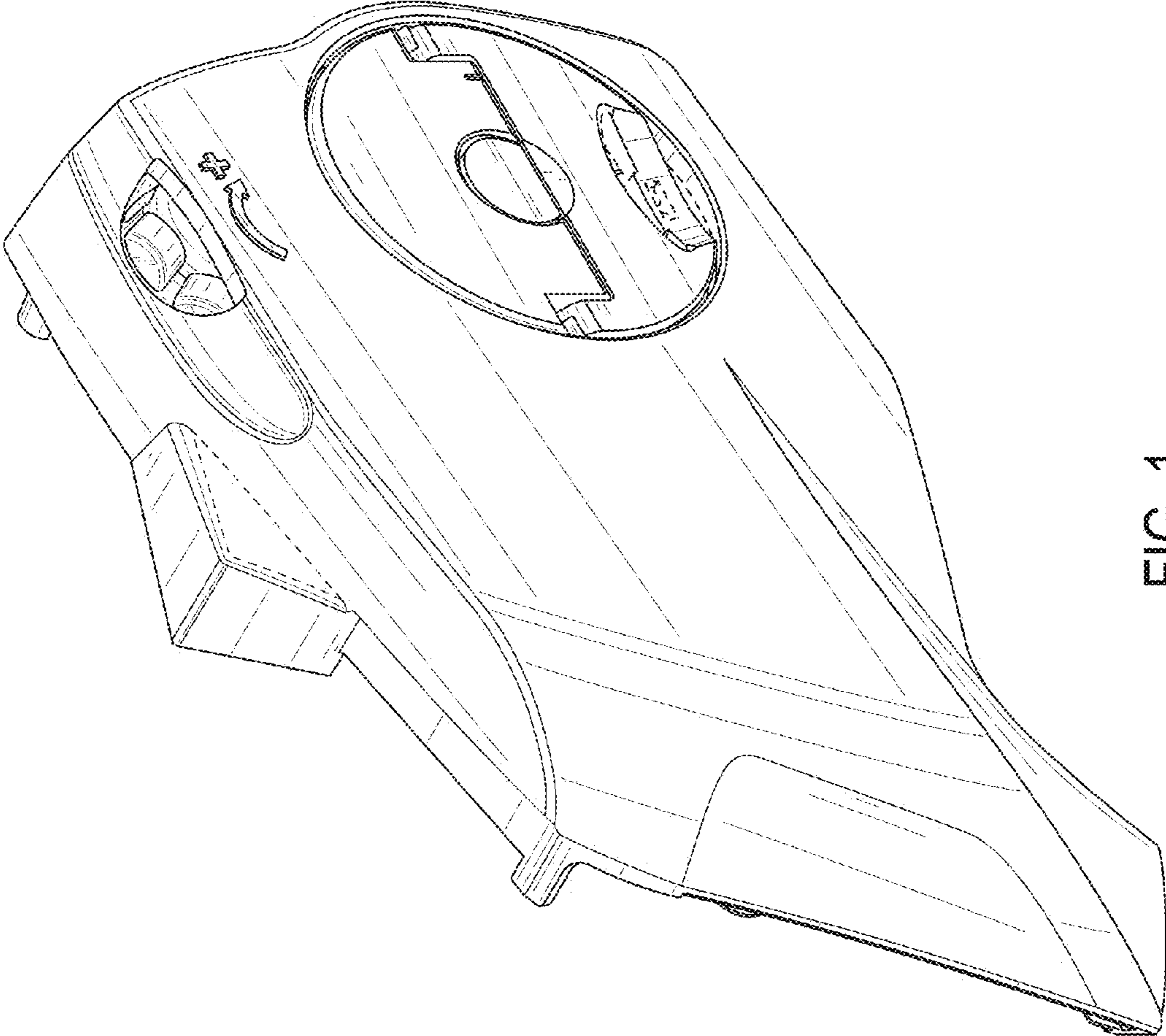


FIG. 1

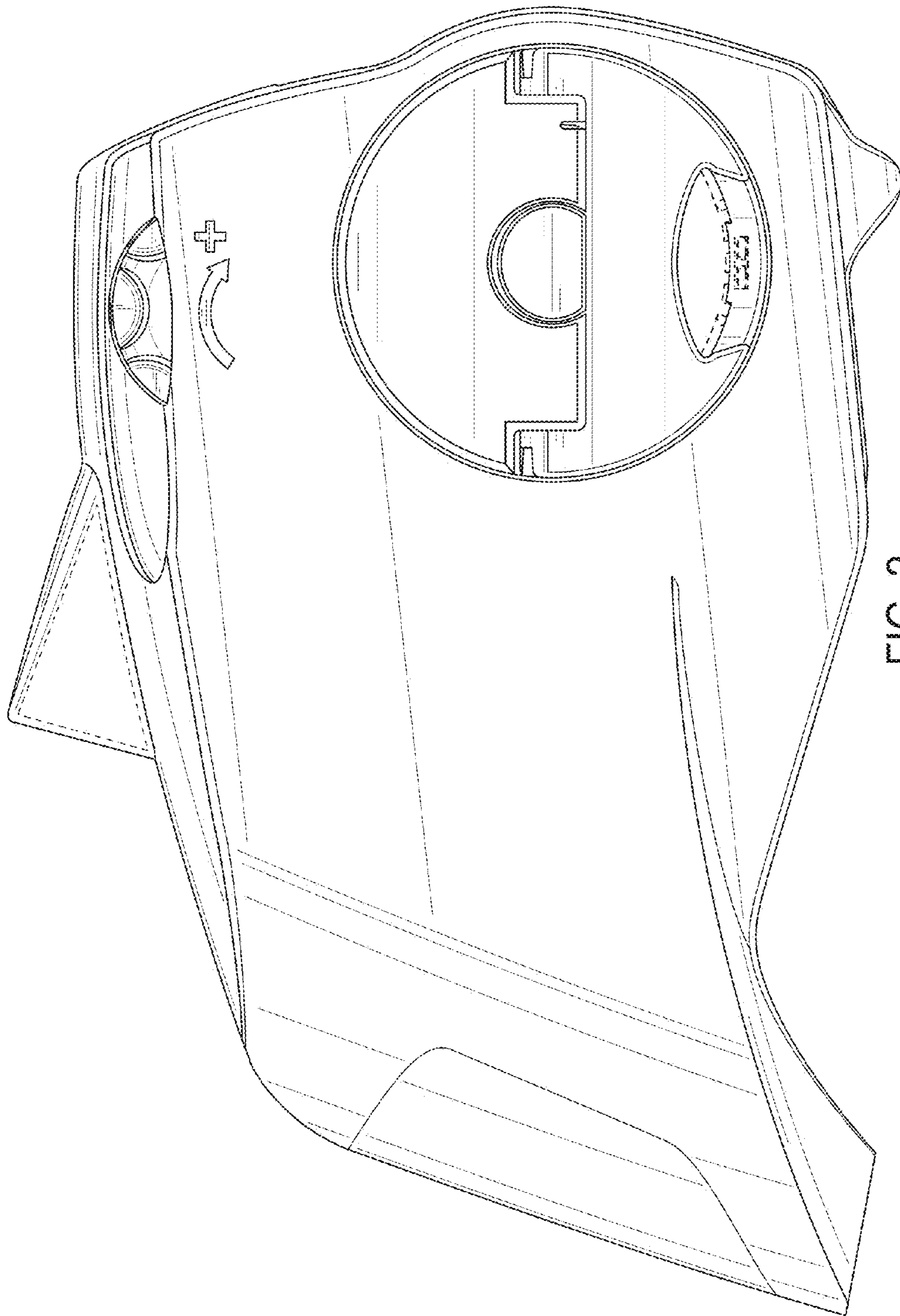


FIG. 2

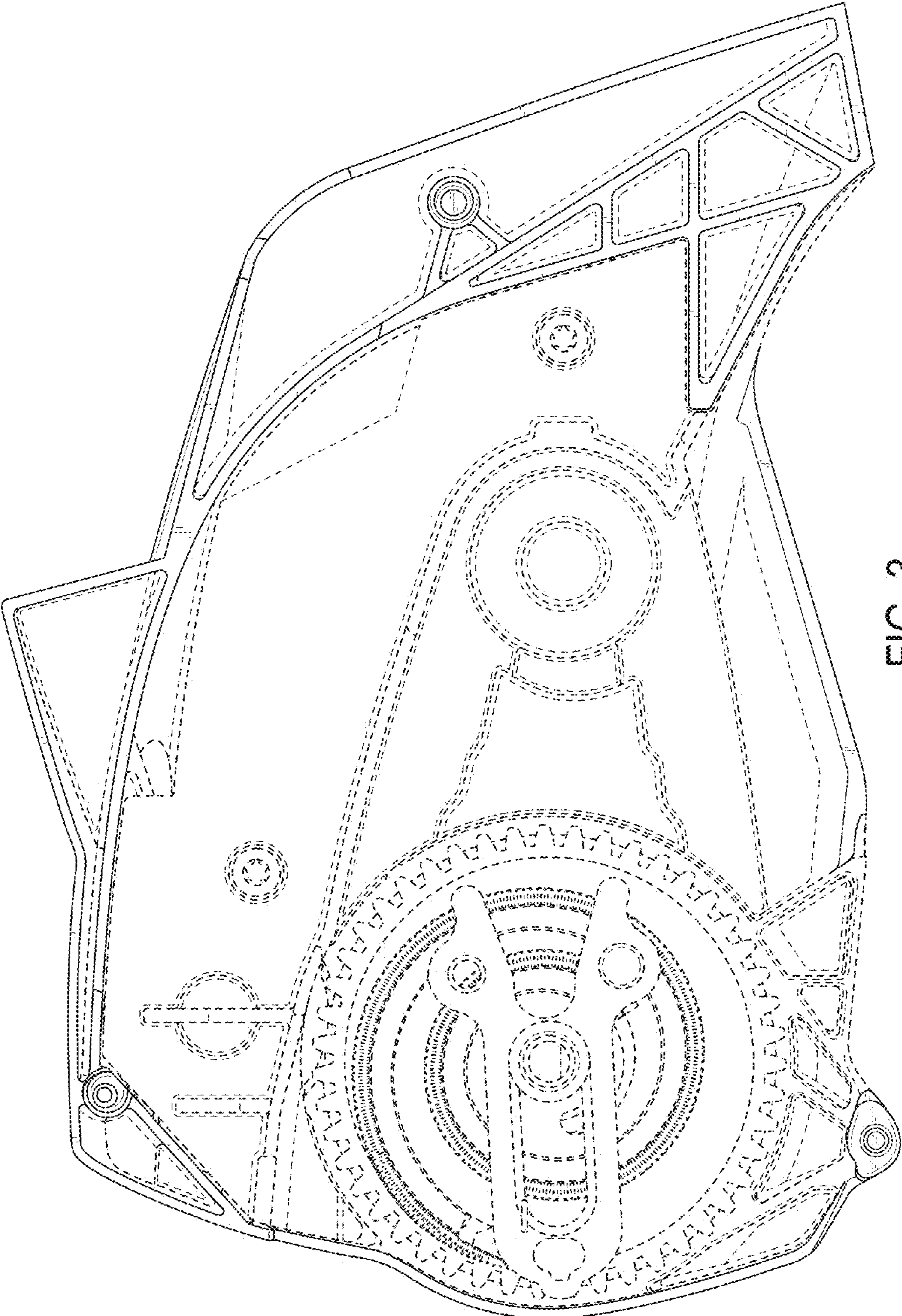


FIG. 3

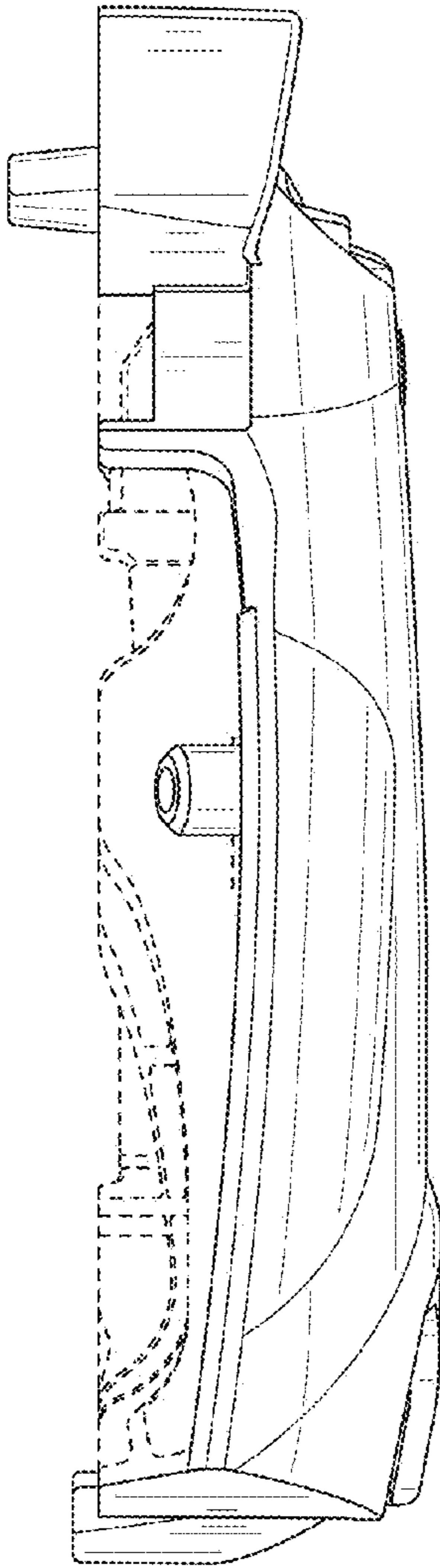


FIG. 4

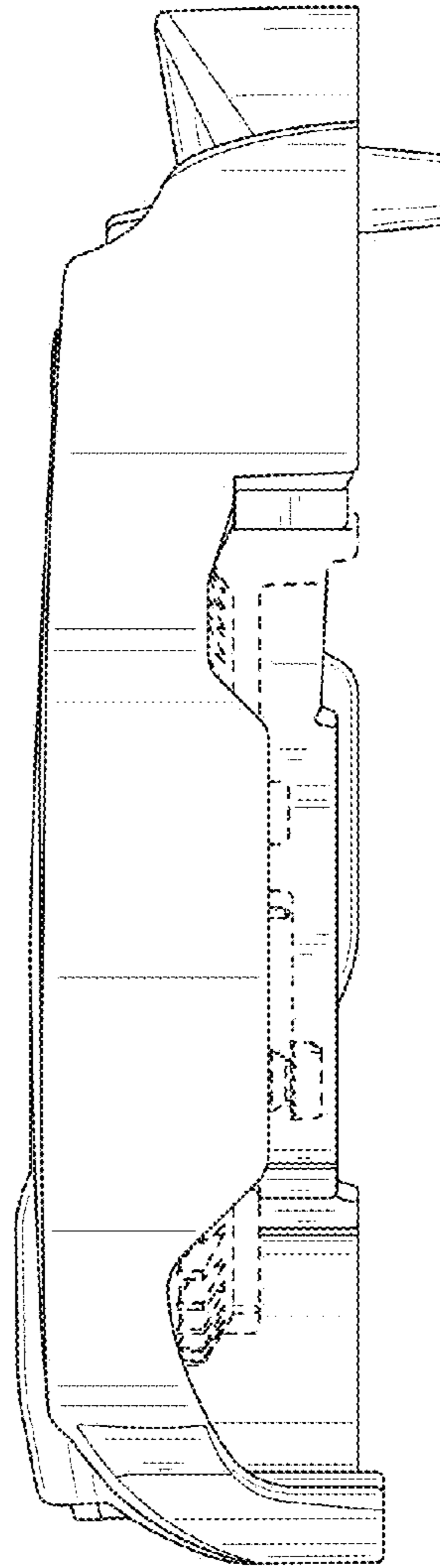


FIG. 5

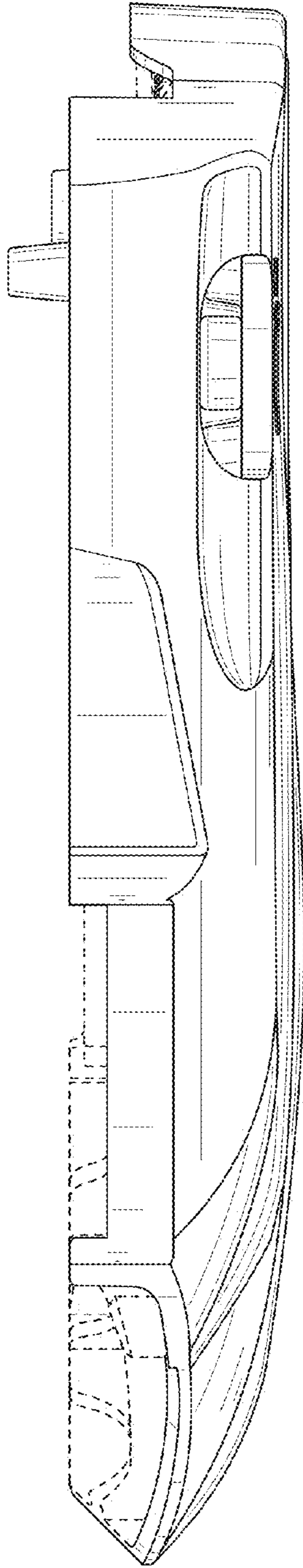


FIG. 6

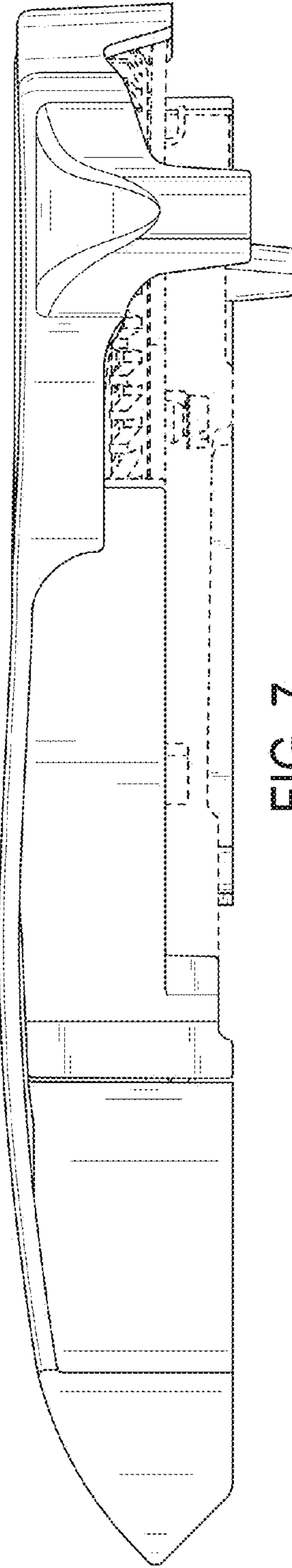


FIG. 7