



US00D741132S

(12) **United States Design Patent**  
**Wasielewski et al.**

(10) **Patent No.:** **US D741,132 S**  
(45) **Date of Patent:** **\*\* Oct. 20, 2015**

(54) **POWER TOOL**

(71) Applicants: **Robert Bosch Tool Corporation**,  
Broadview, IL (US); **Robert Bosch**  
**GmbH**, Stuttgart (DE)

(72) Inventors: **Kevin Wasielewski**, Downers Grove, IL  
(US); **Arturo Castro**, Mexicali (MX);  
**Jon Zasiiebida**, Wood Dale, IL (US);  
**Philip Branker**, Elgin, IL (US); **Dale S.**  
**Di Lulio**, Saukville, WI (US); **Scott H.**  
**Micoley**, Cedarburg, WI (US)

(73) Assignee: **Robert Bosch GmbH**, Stuttgart (DE)

(\*\*) Term: **14 Years**

(21) Appl. No.: **29/477,925**

(22) Filed: **Dec. 30, 2013**

(51) **LOC (10) Cl.** ..... **08-01**

(52) **U.S. Cl.**  
USPC ..... **D8/62**

(58) **Field of Classification Search**  
USPC ..... D8/69, 68, 67, 66, 64, 61, 70;  
83/698.41, 747, 166.3, 374, 373, 375,  
83/376, 391, 377, 390, 388, 389;  
125/13.01; 144/218; D21/532  
CPC ..... B24D 2205/00; B24D 2201/00; B24D  
18/00; B24D 9/00; B24D 35/00  
See application file for complete search history.

(56) **References Cited**

**U.S. PATENT DOCUMENTS**

D351,772 S \* 10/1994 Price ..... D8/62  
D408,244 S \* 4/1999 Price ..... D8/62

D453,098 S \* 1/2002 Pretzell ..... D8/62  
D479,969 S \* 9/2003 Robson et al. .... D8/62  
D491,033 S \* 6/2004 Bian ..... D8/62  
D511,285 S \* 11/2005 Henssler et al. .... D8/62  
D522,826 S \* 6/2006 Aglassinger ..... D8/62  
D528,389 S \* 9/2006 Wu ..... D8/62  
D544,326 S \* 6/2007 Sterpka et al. .... D8/62  
D707,517 S \* 6/2014 Aglassinger ..... D8/62  
D708,031 S \* 7/2014 Aglassinger ..... D8/62  
D710,170 S \* 8/2014 Aglassinger ..... D8/62  
D715,616 S \* 10/2014 Aglassinger ..... D8/62

\* cited by examiner

*Primary Examiner* — Austin Murphy

(74) *Attorney, Agent, or Firm* — Maginot Moore & Beck  
LLP

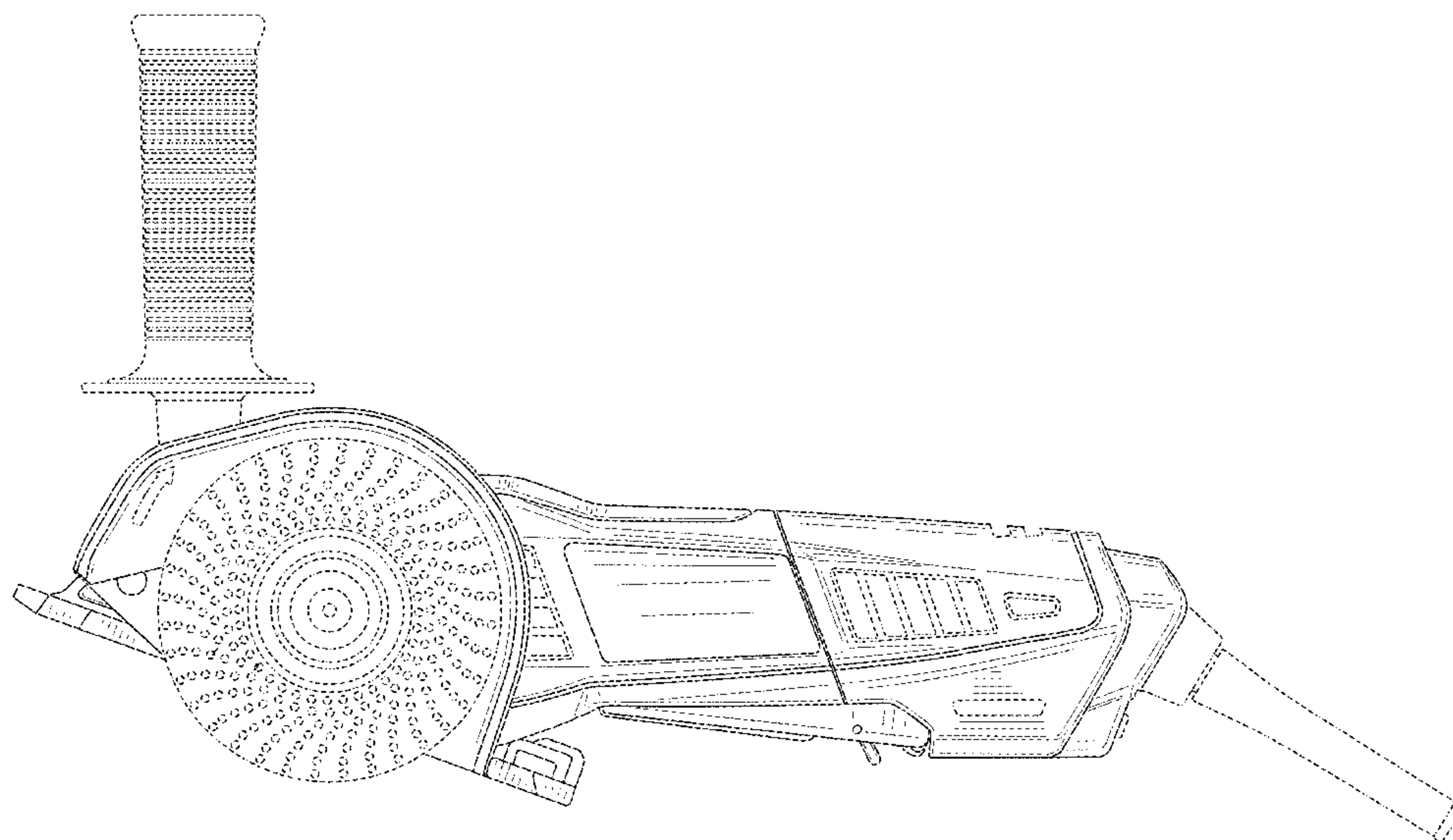
(57) **CLAIM**

The ornamental design for a power tool, as shown and  
described.

**DESCRIPTION**

FIG. 1 is a right side perspective view of a power tool  
showing our new design;  
FIG. 2 is a right side elevational view showing the design for  
the power tool of FIG. 1;  
FIG. 3 is a left side elevational view showing the design for  
the power tool of FIG. 1;  
FIG. 4 is a top plan view showing the design for the power tool  
of FIG. 1;  
FIG. 5 is a bottom plan view showing the design for the power  
tool of FIG. 1;  
FIG. 6 is a front elevational view showing the design for the  
power tool of FIG. 1; and,  
FIG. 7 is a rear elevational view showing the design for the  
power tool of FIG. 1.

**1 Claim, 7 Drawing Sheets**



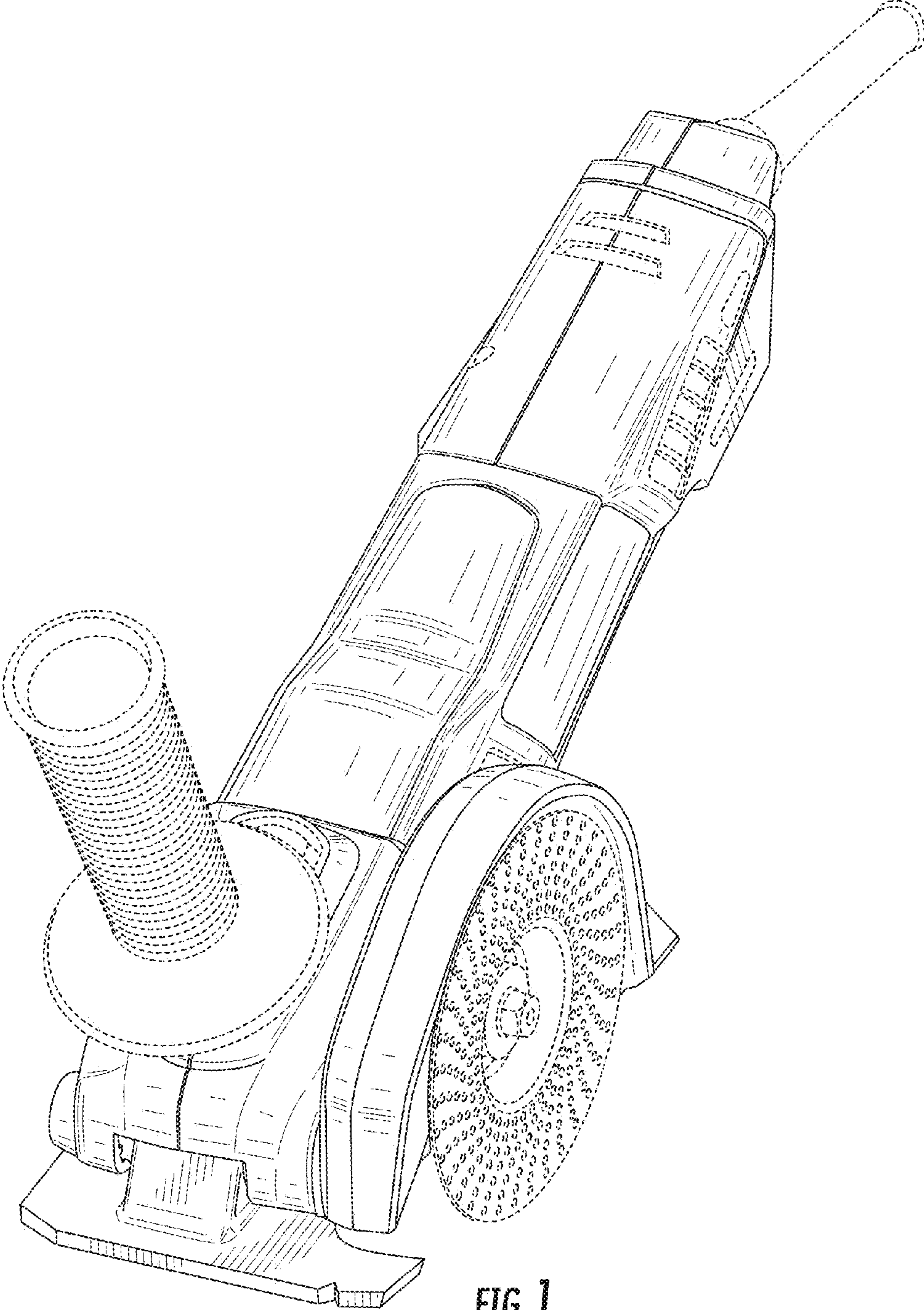


FIG. 1

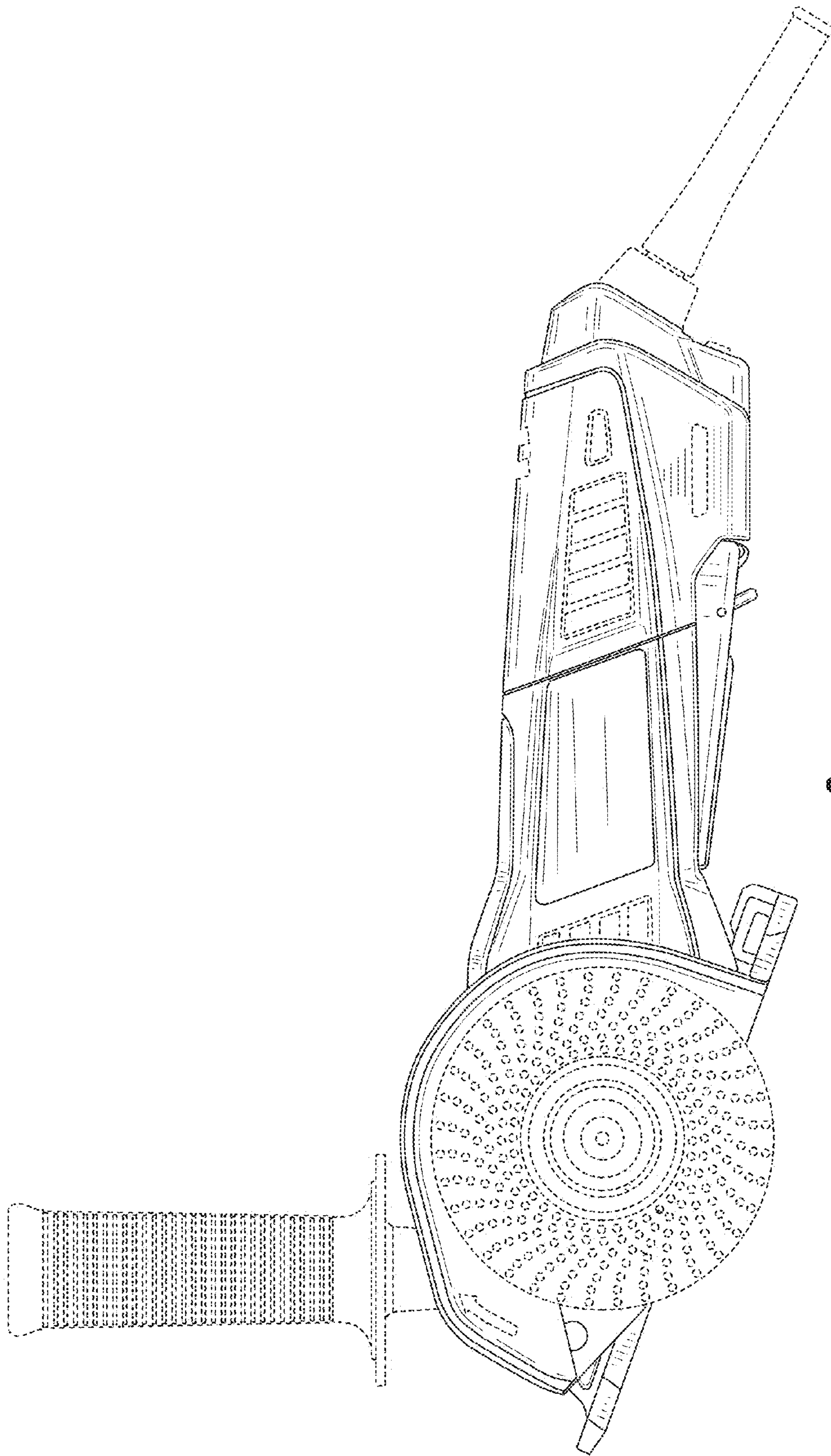


FIG. 2



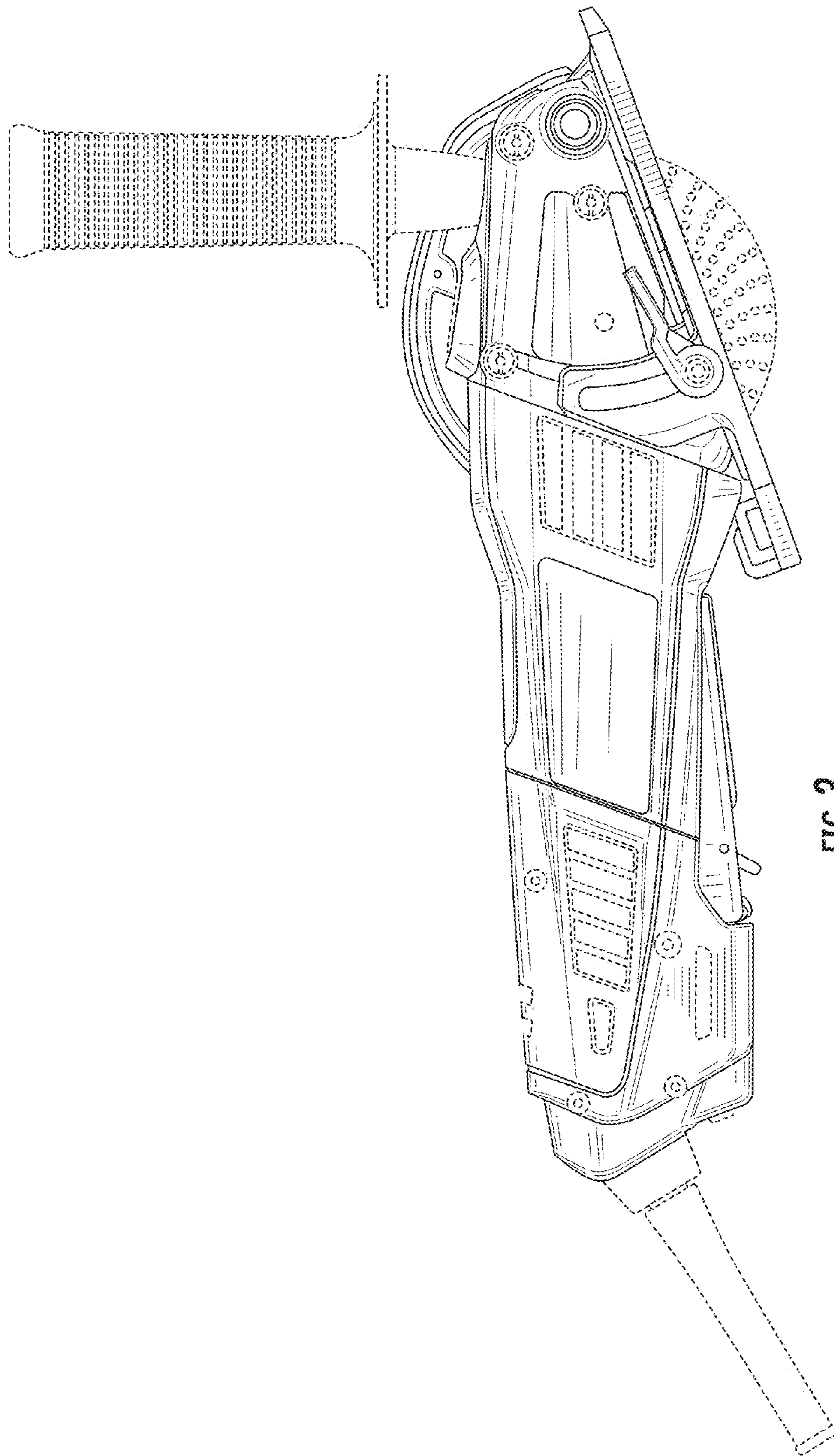


FIG. 3

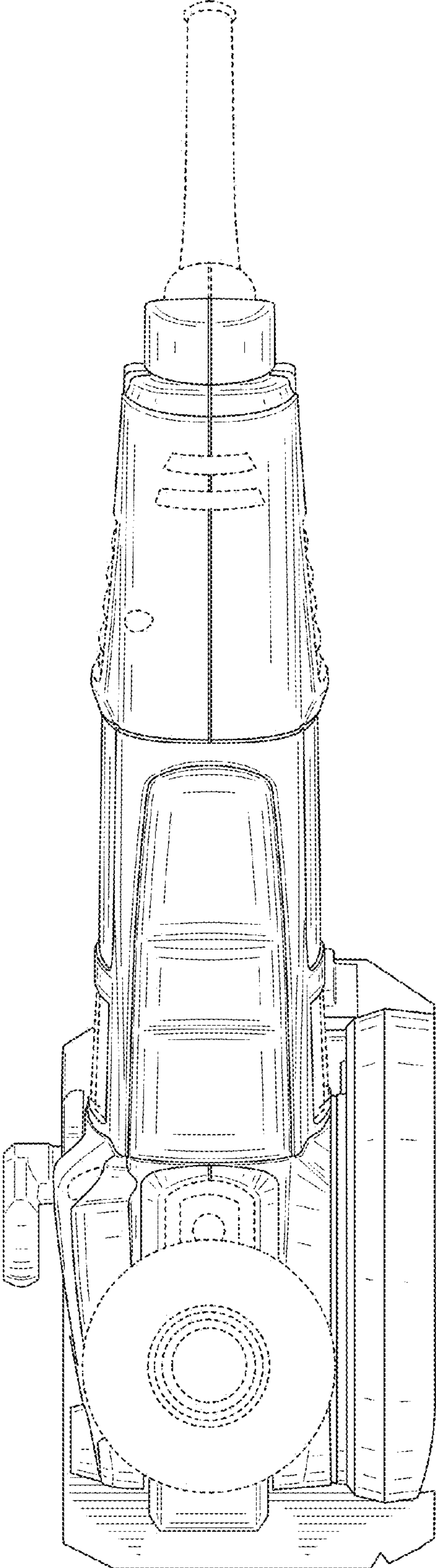


FIG. 4

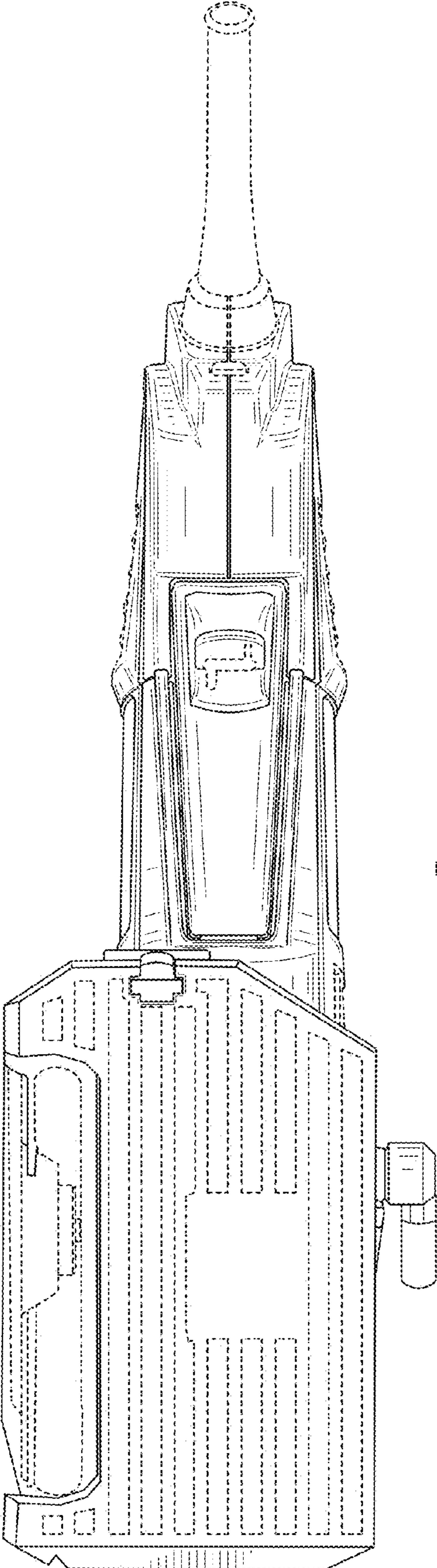


FIG. 5

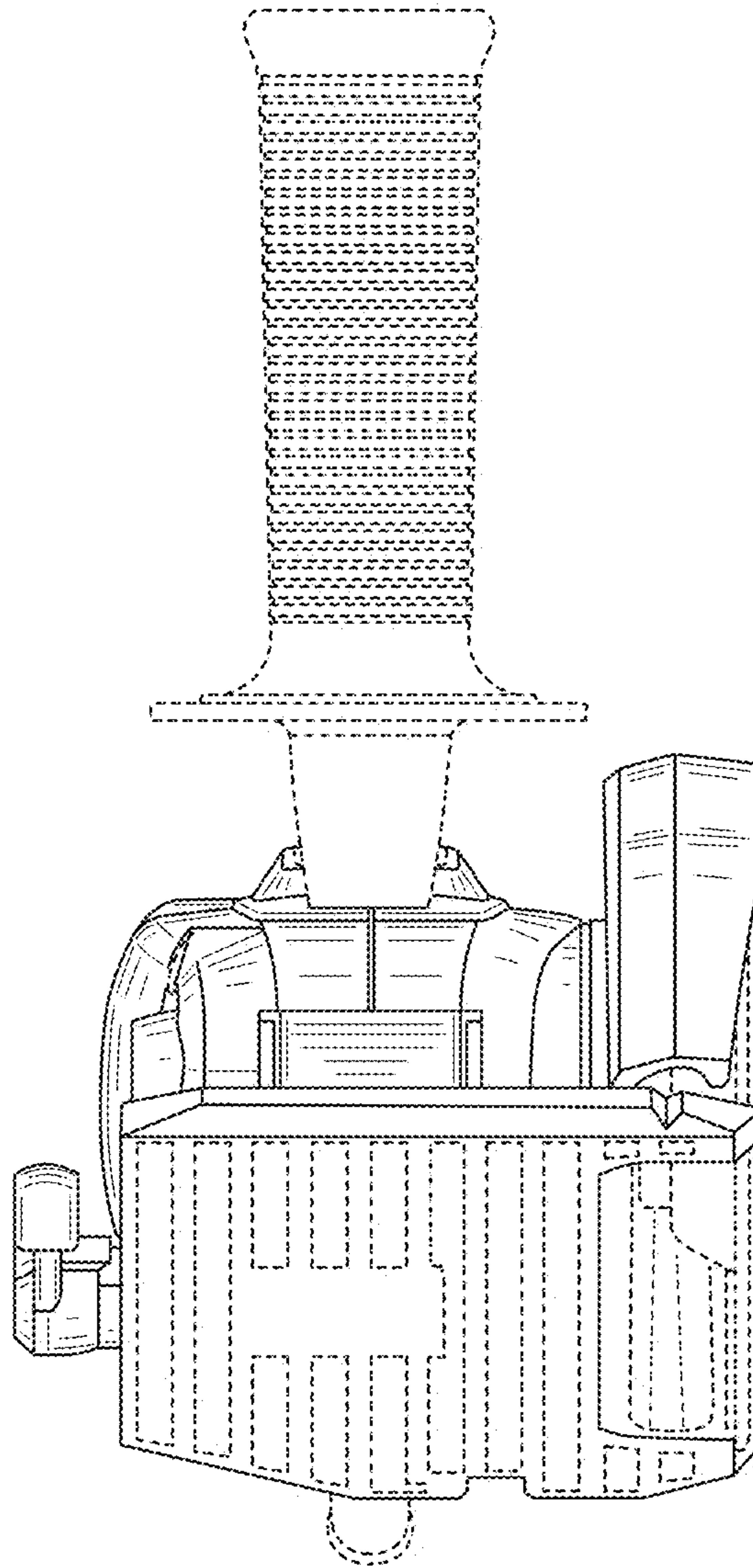


FIG. 6



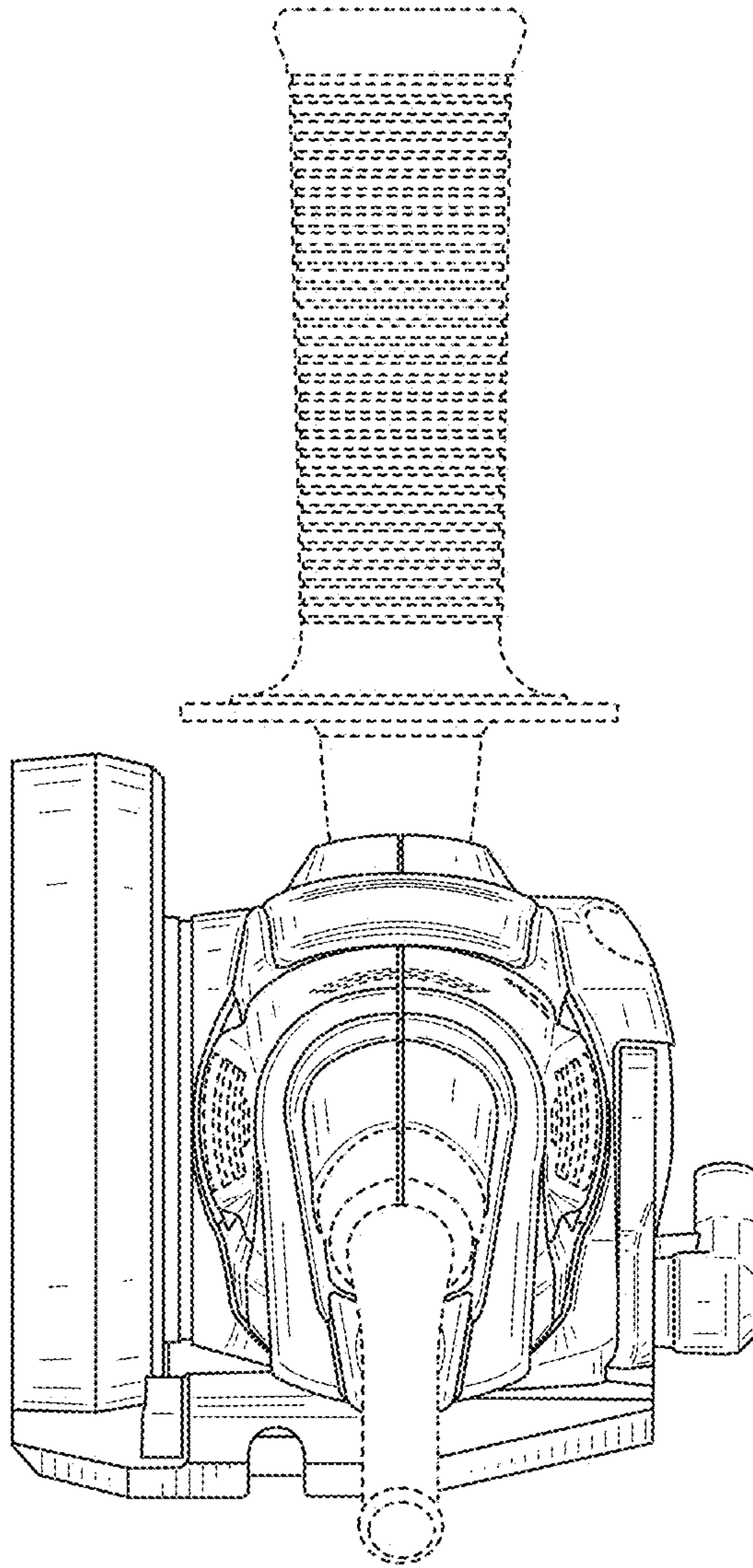


FIG. 7