

US00D741131S

(12) **United States Design Patent**
Wenchel

(10) **Patent No.:** **US D741,131 S**
(45) **Date of Patent:** **** Oct. 20, 2015**

(54) **LAMINATE TRIMMER**

(71) Applicant: **BLACK & DECKER INC.**, Newark,
DE (US)

(72) Inventor: **Lauren M. Wenchel**, Parkville, MD
(US)

(73) Assignee: **BLACK & DECKER INC.**, Newark,
DE (US)

(**) Term: **14 Years**

(21) Appl. No.: **29/490,411**

(22) Filed: **May 9, 2014**

(51) **LOC (10) Cl.** **08-01**

(52) **U.S. Cl.**
USPC **D8/61; D8/67**

(58) **Field of Classification Search**
USPC D8/61, 67, 70, 107; 409/182, 180, 134,
409/132, 131; 144/48.6, 252.1, 154.5,
144/136.95

CPC B27C 5/10; B29C 2059/02; B27D 5/006;
B23B 45/00; E04F 2019/00; B27G 13/00

See application file for complete search history.

(56) **References Cited**

U.S. PATENT DOCUMENTS

D349,637 S *	8/1994	Hoshino et al.	D8/67
D416,460 S *	11/1999	Bosten et al.	D8/67
D444,364 S *	7/2001	Evans	D8/67
D470,377 S *	2/2003	Lopano	D8/67
D473,439 S *	4/2003	Grant et al.	D8/61

D473,772 S *	4/2003	Lopano	D8/67
D495,226 S *	8/2004	Grant et al.	D8/61
D511,079 S *	11/2005	Ozawa et al.	D8/67
D531,870 S *	11/2006	Andriolo	D8/67
D531,871 S *	11/2006	Etter et al.	D8/67
D538,614 S *	3/2007	Aglassinger	D8/61
D545,158 S *	6/2007	Corcoran	D8/67
D546,654 S *	7/2007	Etter et al.	D8/67
D567,613 S *	4/2008	Steinfels	D8/67
D584,590 S *	1/2009	Etter et al.	D8/67
D588,428 S *	3/2009	Etter et al.	D8/67
D591,575 S *	5/2009	Yamamoto	D8/67
D601,396 S *	10/2009	Yamamoto	D8/67
D611,509 S *	3/2010	Thorson et al.	D15/127
D717,624 S *	11/2014	Wenchel	D8/61
D724,920 S *	3/2015	Fisher	D8/61
D724,921 S *	3/2015	Fisher	D8/61

* cited by examiner

Primary Examiner — Austin Murphy

(74) *Attorney, Agent, or Firm* — Rhonda L. Barton

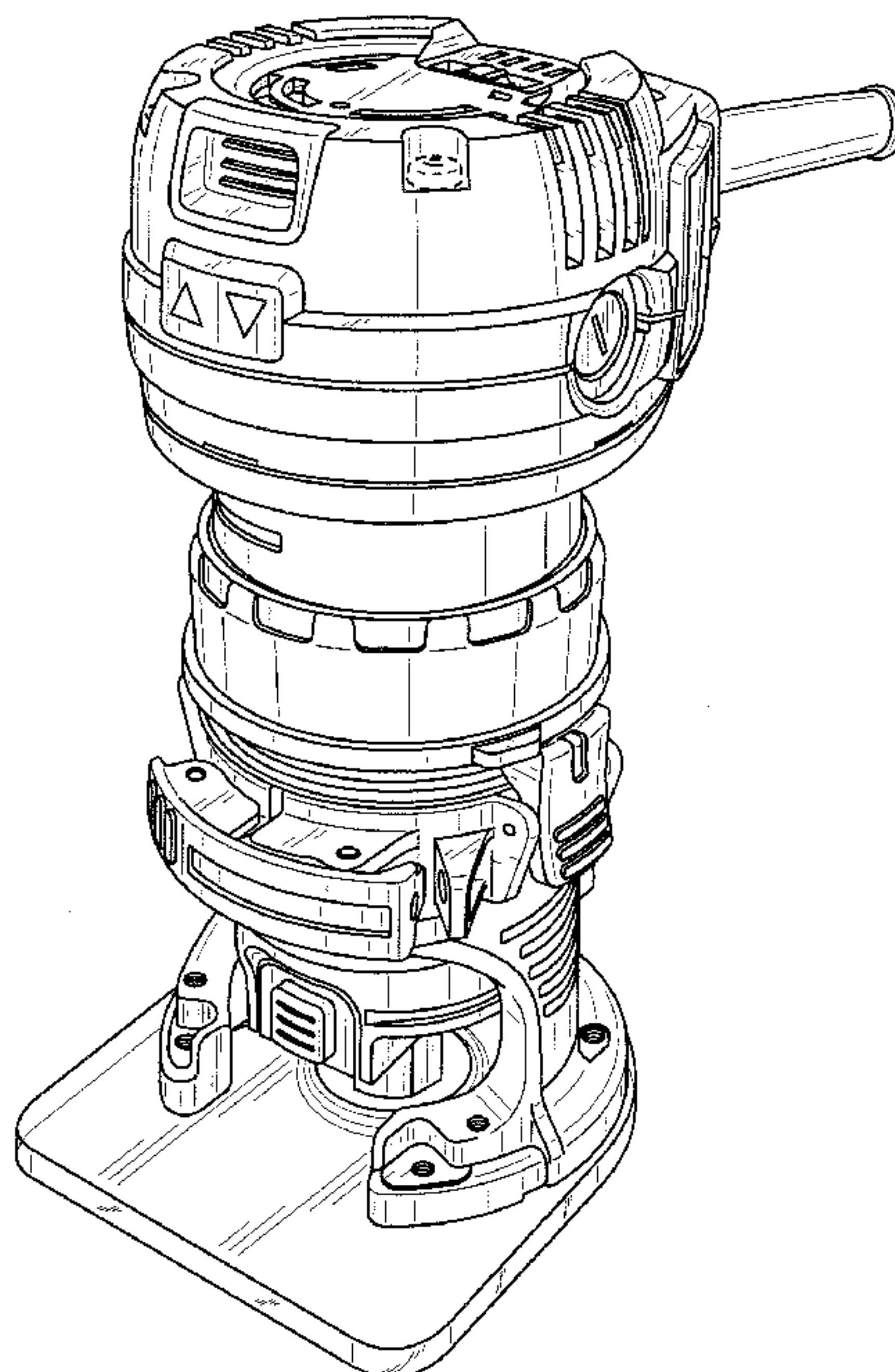
(57) **CLAIM**

The ornamental design for a laminate trimmer, as shown and described.

DESCRIPTION

FIG. 1 is a right perspective view of a laminate trimmer showing my new design;
FIG. 2 is a front view thereof;
FIG. 3 is a rear view thereof;
FIG. 4 is a left side view thereof;
FIG. 5 is a right side view thereof;
FIG. 6 is a top view thereof; and,
FIG. 7 is a bottom view thereof.

1 Claim, 7 Drawing Sheets



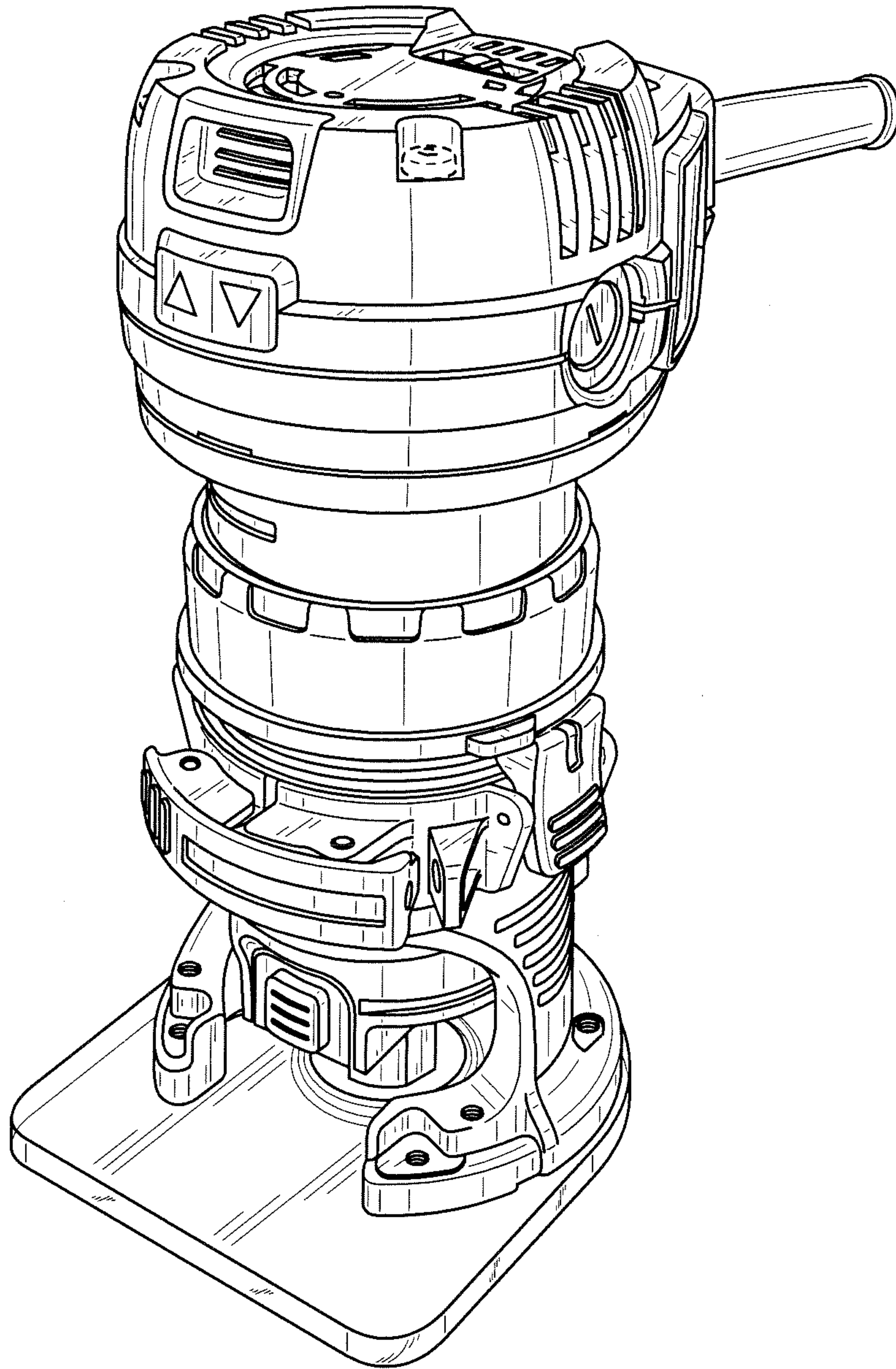


FIG. 1

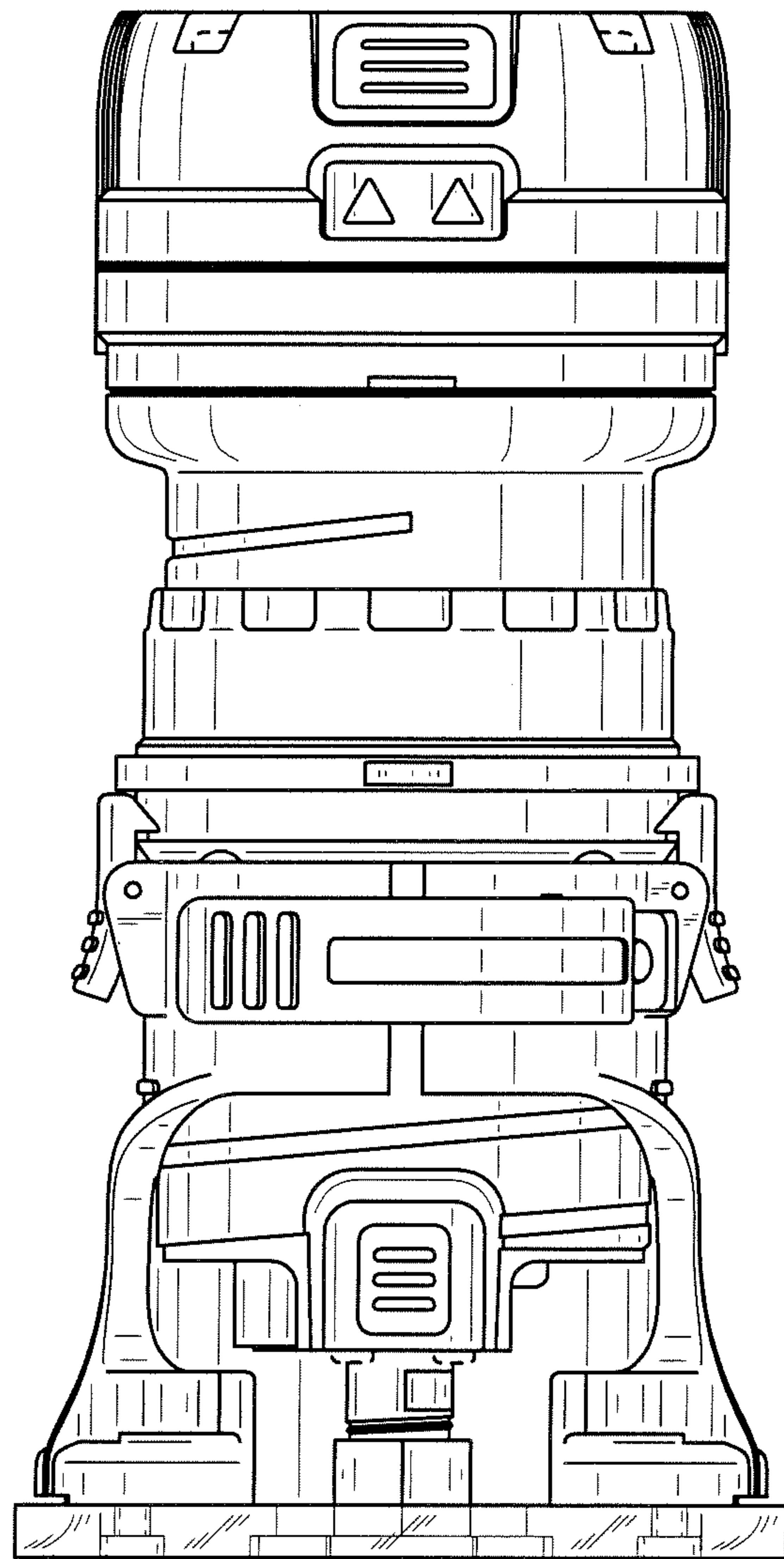


FIG. 2

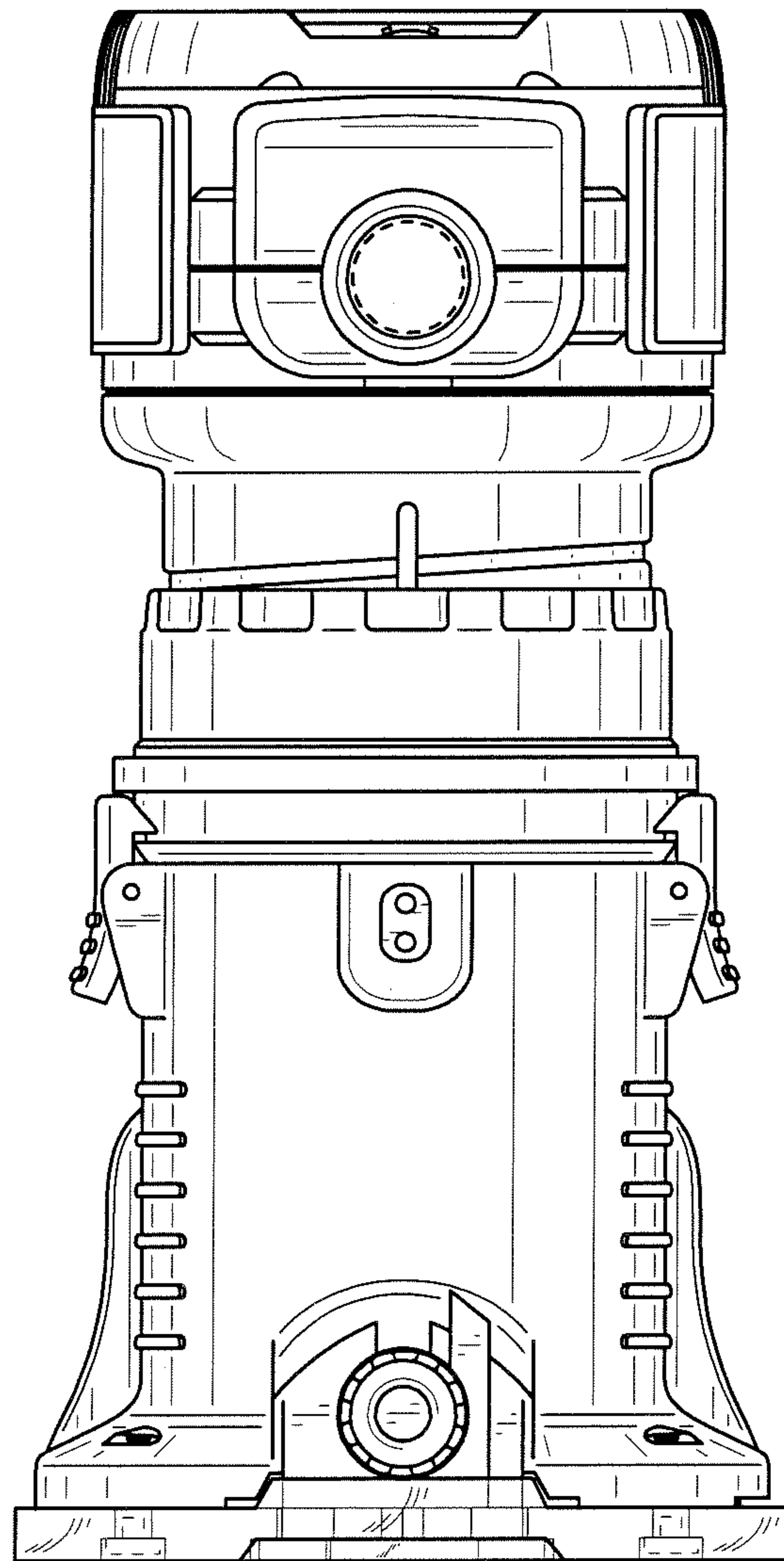


FIG. 3

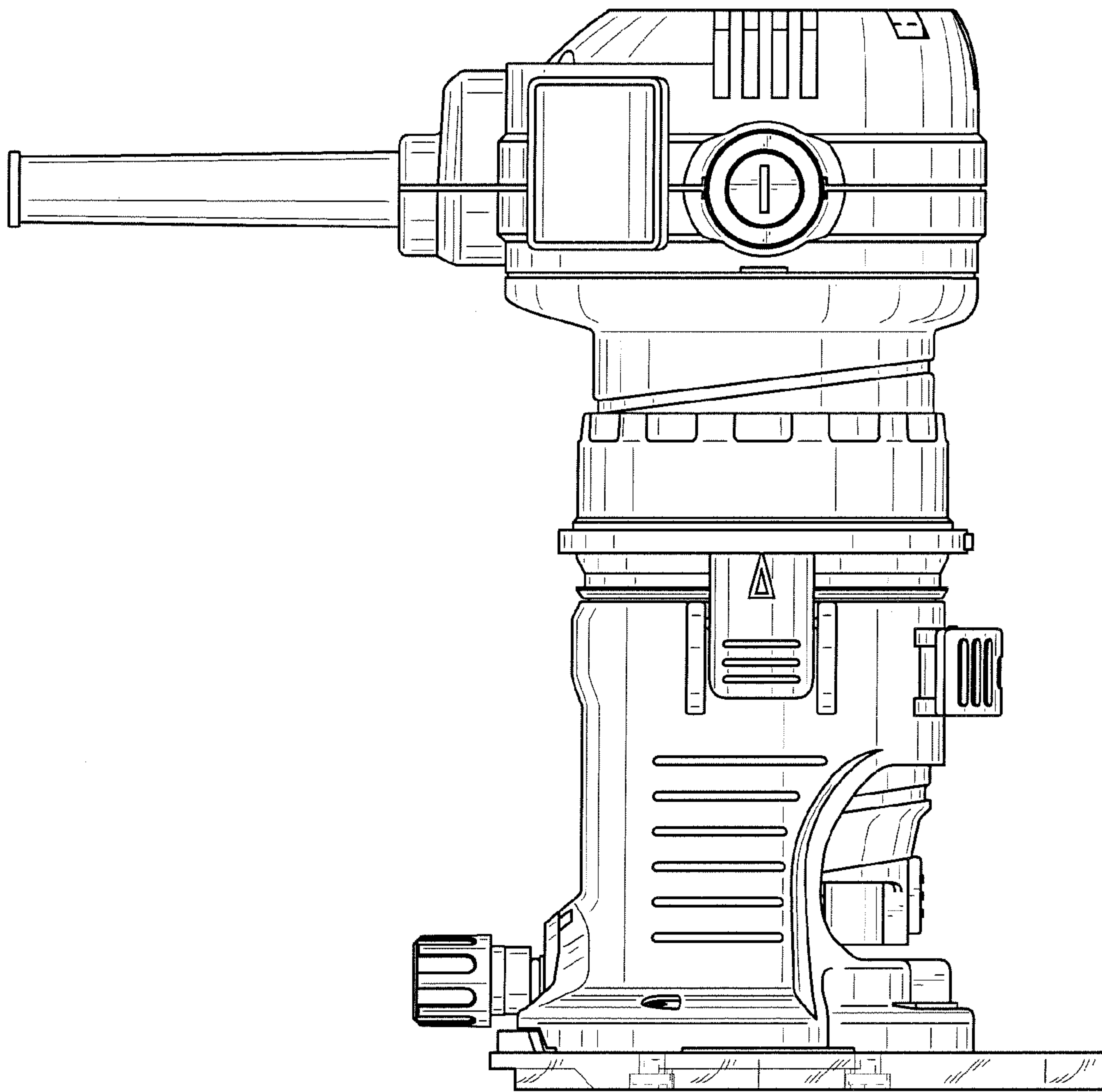


FIG. 4

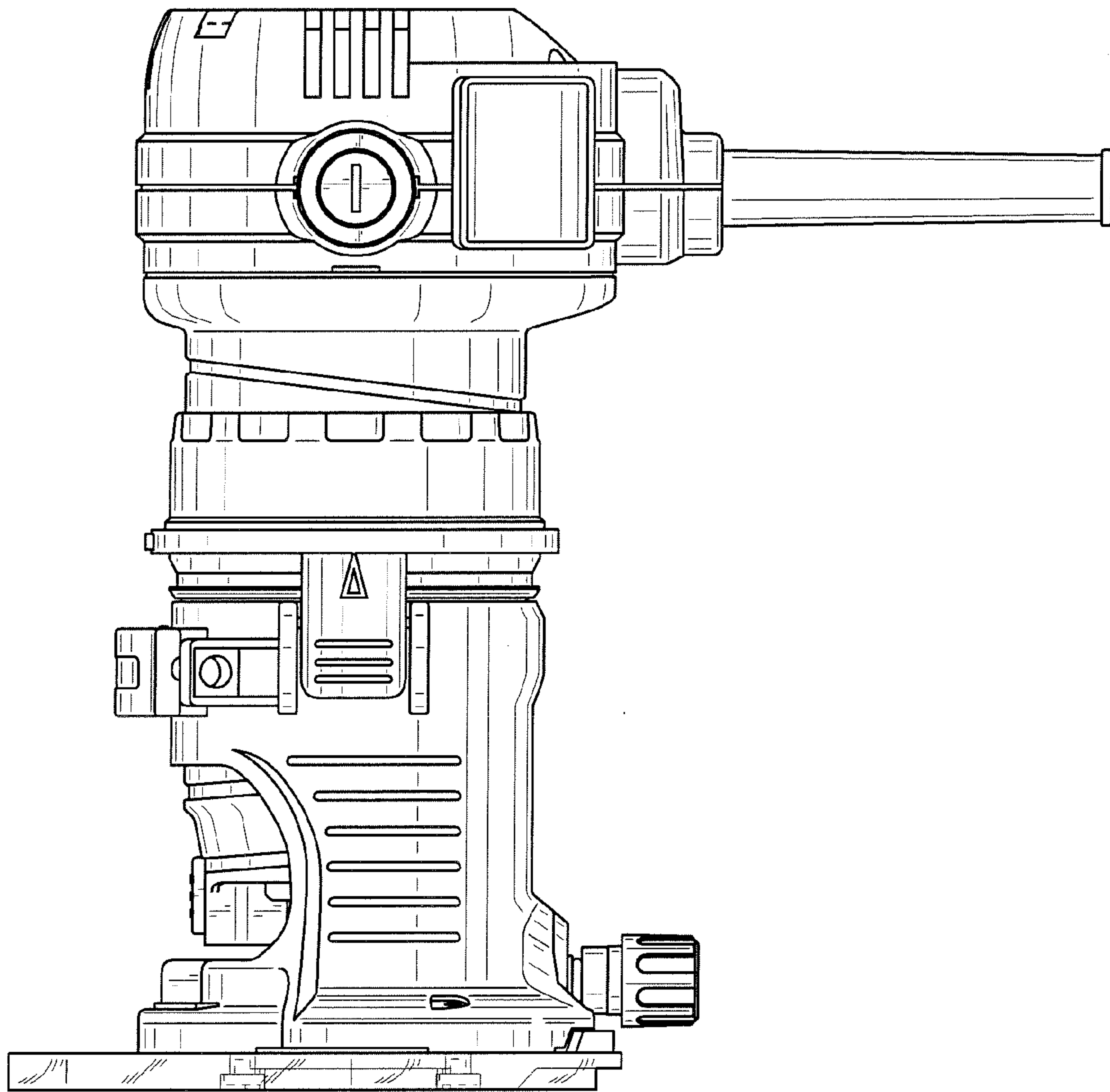


FIG. 5

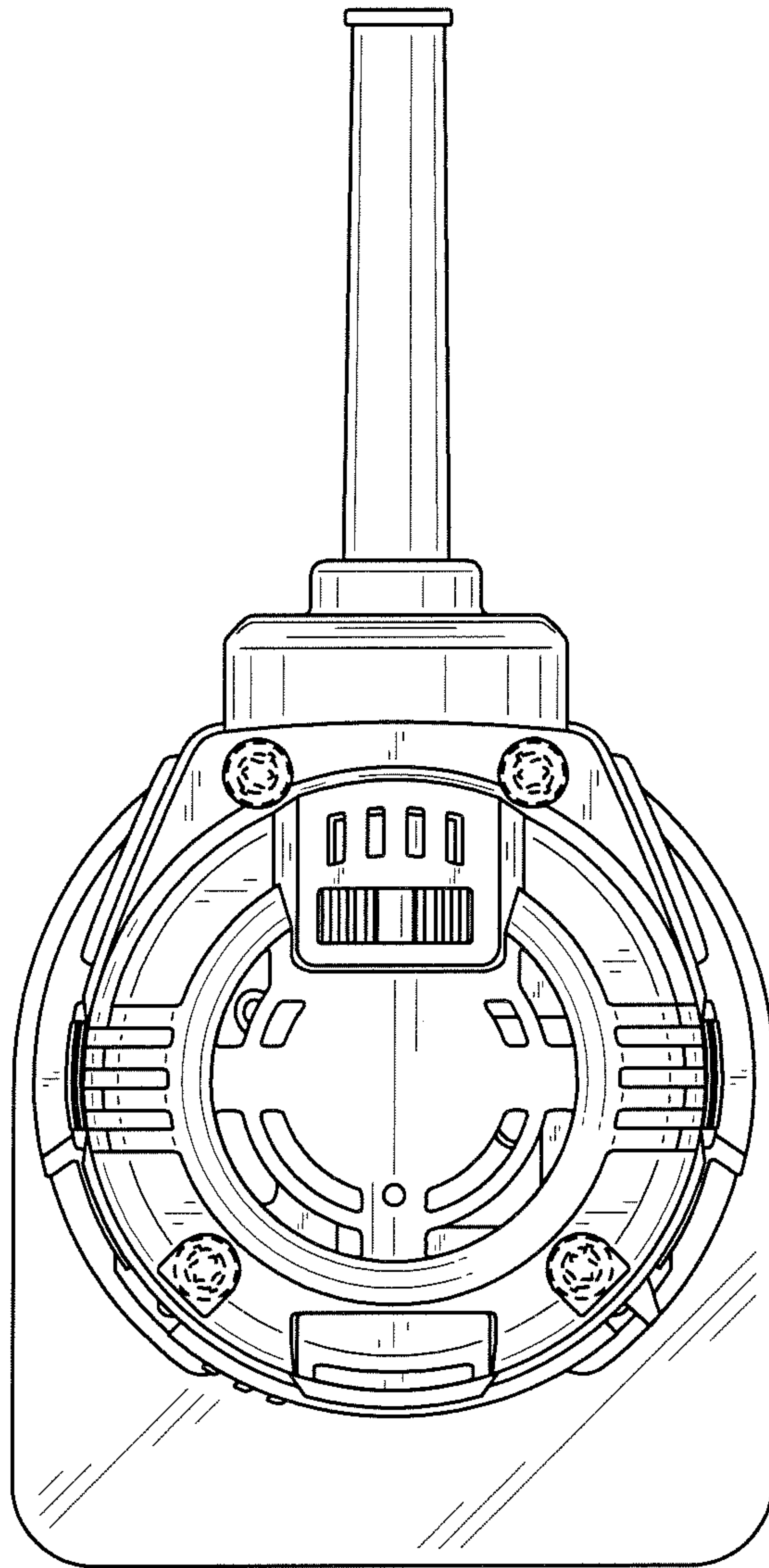


FIG. 6

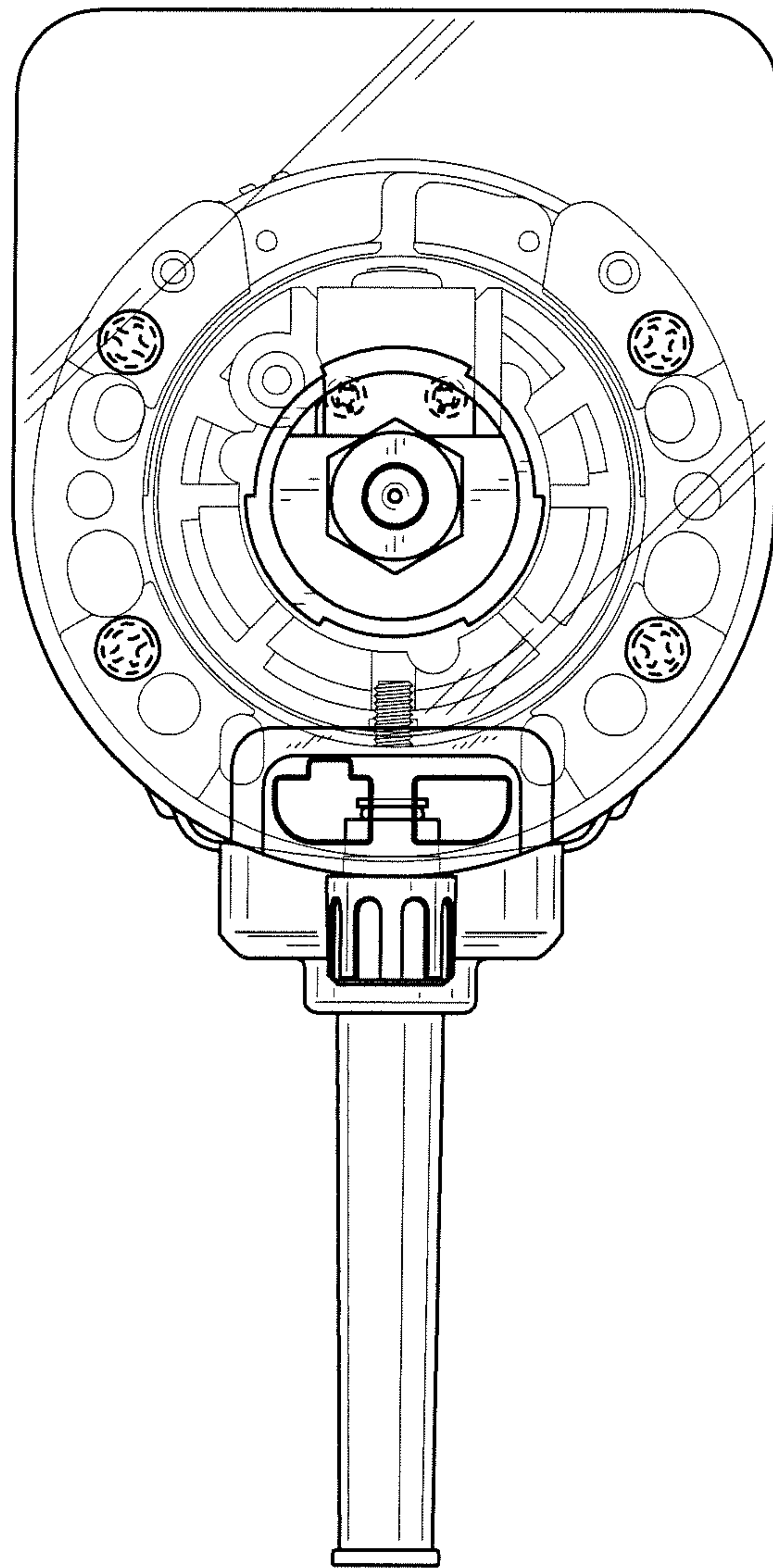


FIG. 7