



US00D741129S

(12) **United States Design Patent**
Sanders

(10) **Patent No.:** **US D741,129 S**

(45) **Date of Patent:** **** Oct. 20, 2015**

(54) **CAN OPENER**

(71) Applicant: **JOSEPH JOSEPH LTD**, London (GB)

(72) Inventor: **Mark Sanders**, Poole Dorset (GB)

(73) Assignee: **Joseph Joseph Ltd.**, London (GB)

(**) Term: **14 Years**

(21) Appl. No.: **29/499,979**

(22) Filed: **Aug. 20, 2014**

(30) **Foreign Application Priority Data**

Feb. 26, 2014 (EM) 002413013-0007

(51) **LOC (10) Cl.** **07-99**

(52) **U.S. Cl.**
USPC **D8/41**

(58) **Field of Classification Search**
USPC D8/16, 18, 19, 33-43, 89, 98-104;
D21/710; D9/600
CPC B67B 7/00; B67B 7/14; B67B 7/16;
B67B 7/24; B67B 7/30; B67B 7/32; B67B
7/34; B67B 7/36; B67B 7/38; B67B 7/44
See application file for complete search history.

(56) **References Cited**

U.S. PATENT DOCUMENTS

D193,427 S *	8/1962	Anderson et al.	D8/36
D209,420 S *	11/1967	Snyder	D8/98
4,726,119 A *	2/1988	Lee	30/418
D383,045 S *	9/1997	Turso	D8/38

D418,029 S *	12/1999	Leverrier	D8/36
D422,188 S *	4/2000	Lira-Nunez	D8/98
D444,686 S *	7/2001	Brady	D8/36
D452,421 S *	12/2001	DeMore et al.	D8/36
D454,288 S *	3/2002	Kilduff	D8/41
6,516,524 B1 *	2/2003	Brady	30/404
D520,826 S *	5/2006	Parlowski	D8/41
7,556,623 B2 *	7/2009	Lyman et al.	604/414
8,955,227 B2 *	2/2015	Lee	30/416
2002/0148122 A1 *	10/2002	Sanchez et al.	30/421

* cited by examiner

Primary Examiner — Elizabeth Albert

(74) *Attorney, Agent, or Firm* — Millen, White, Zelano & Branigan, P.C.

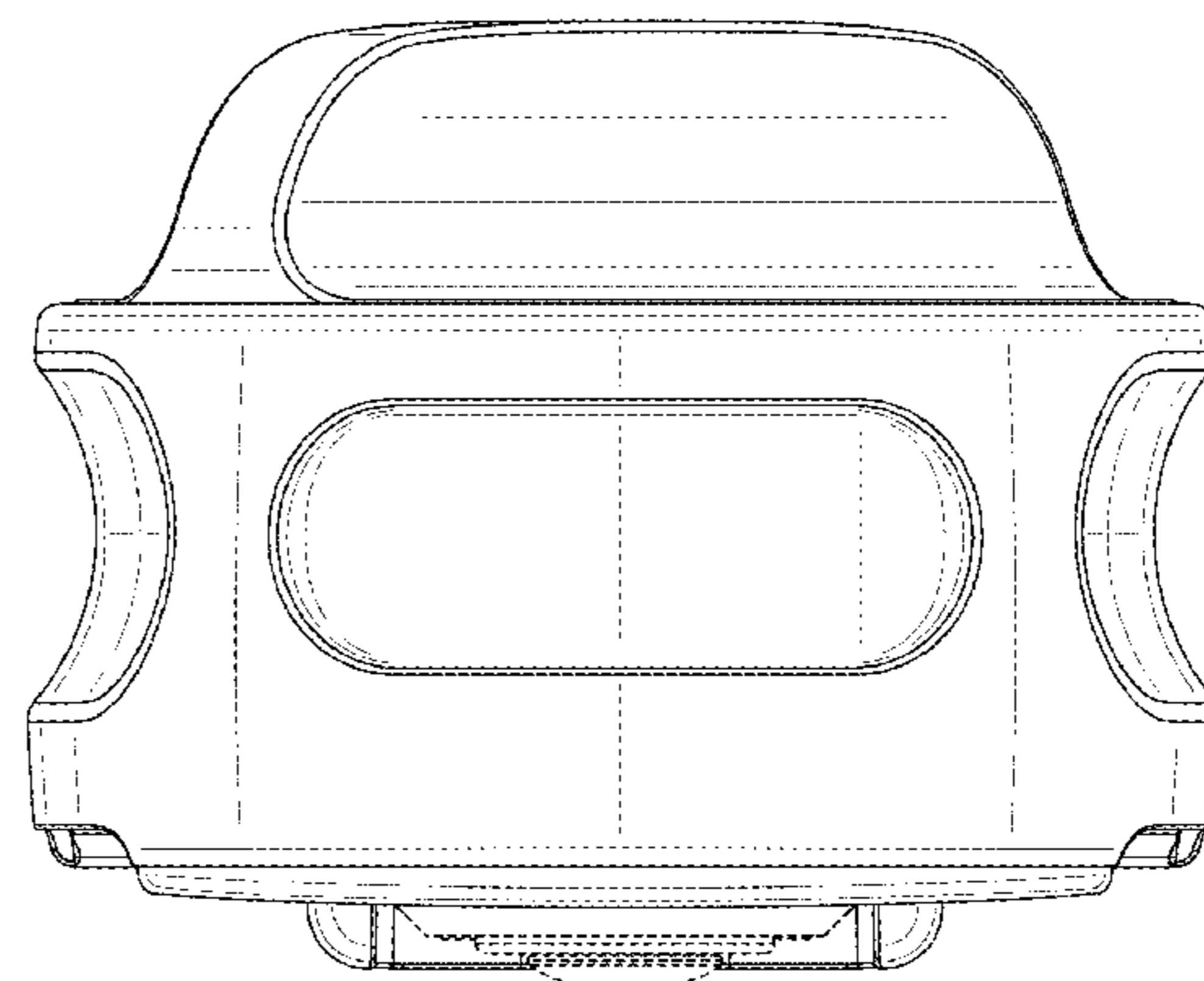
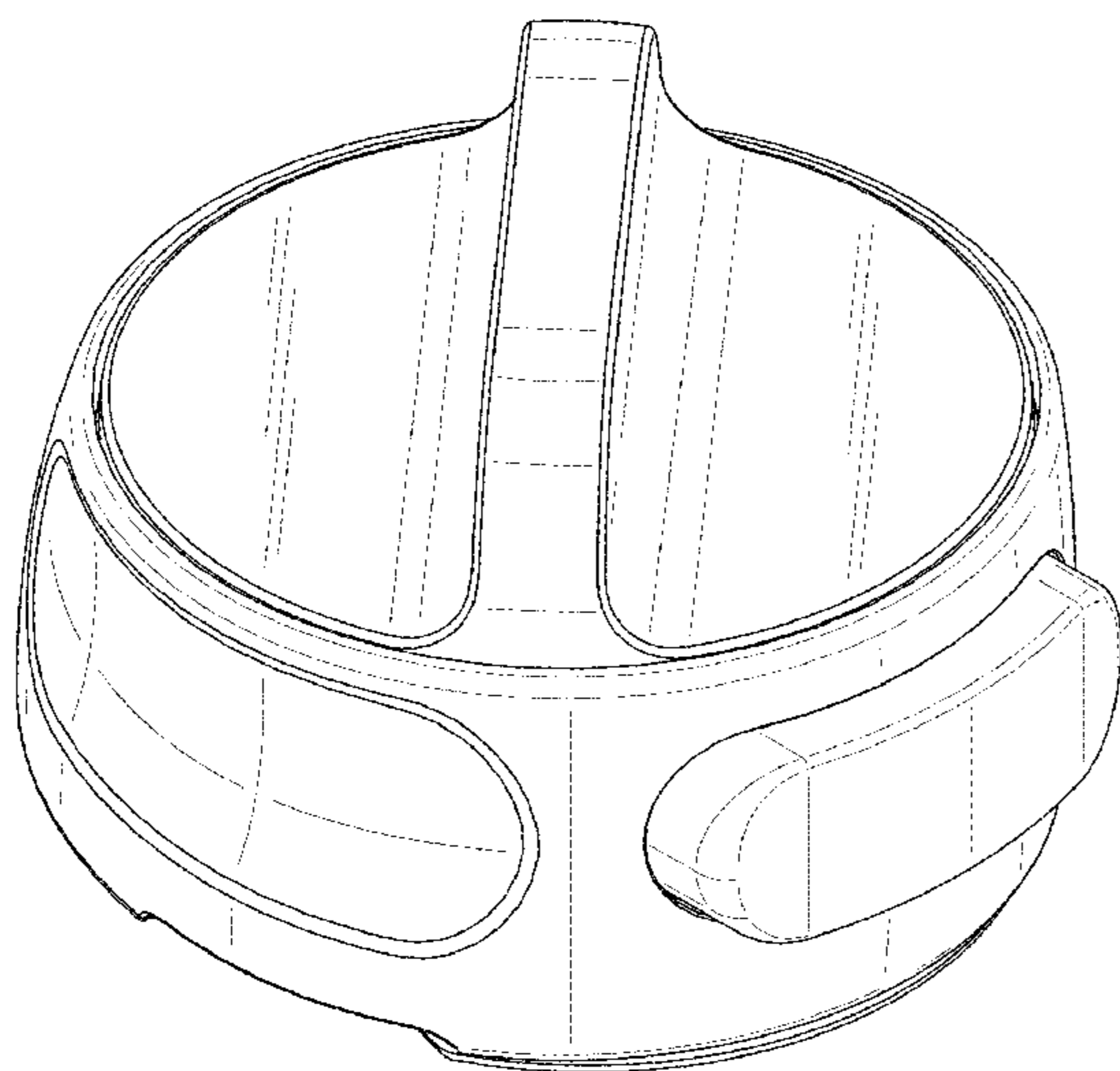
(57) **CLAIM**

The ornamental design for a can opener, as shown and described.

DESCRIPTION

FIG. 1 is a top perspective view of the can opener showing my new design.
FIG. 2 is a side view thereof.
FIG. 3 is another side view thereof.
FIG. 4 is top view thereof.
FIG. 5 is a bottom view thereof.
FIG. 6 is another side view thereof.
FIG. 7 is another side view thereof; and,
FIG. 8 is a bottom perspective view thereof.
The broken lines showing other parts of a can opener form no part of the claimed design.

1 Claim, 8 Drawing Sheets



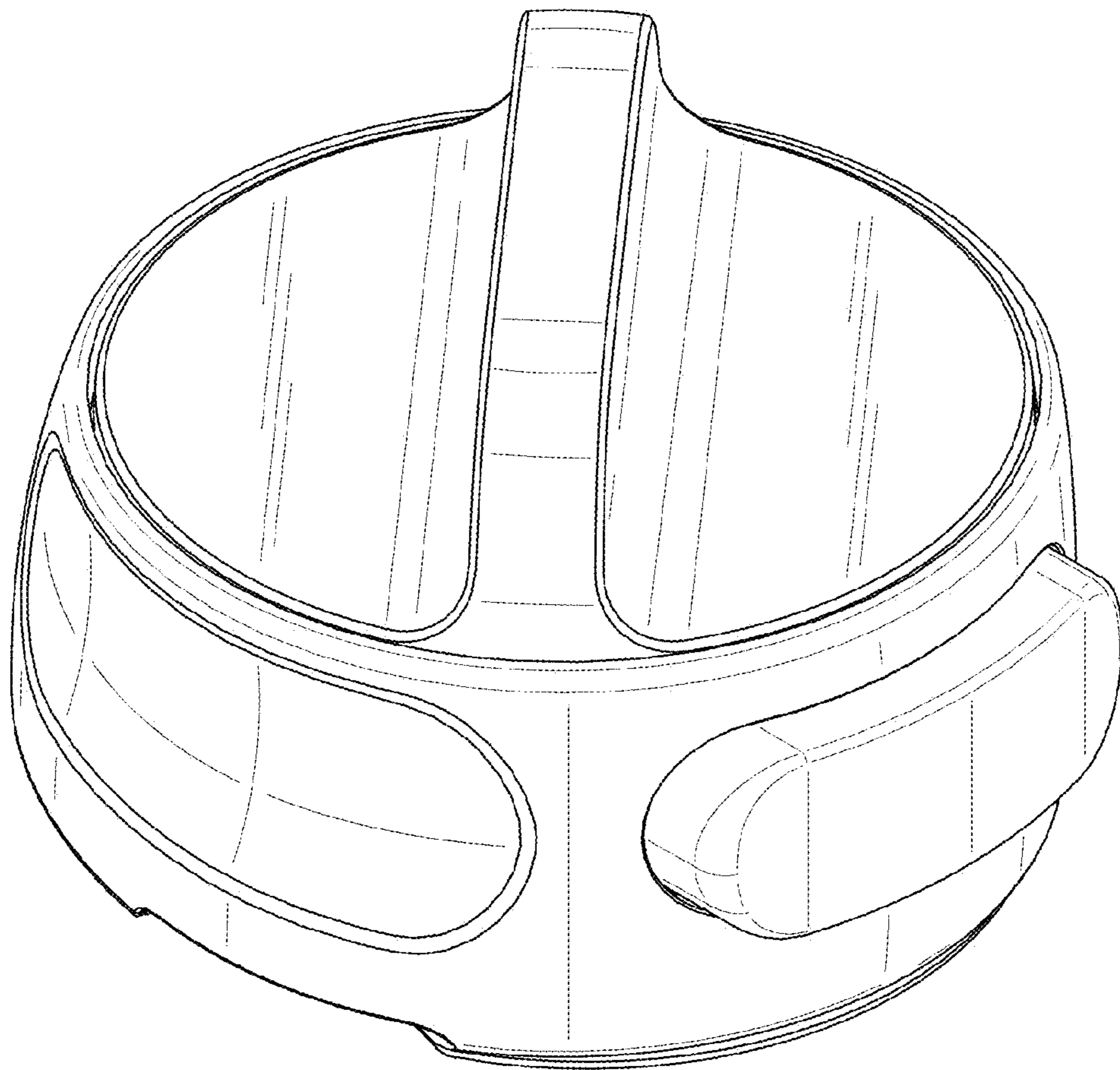


Fig. 1

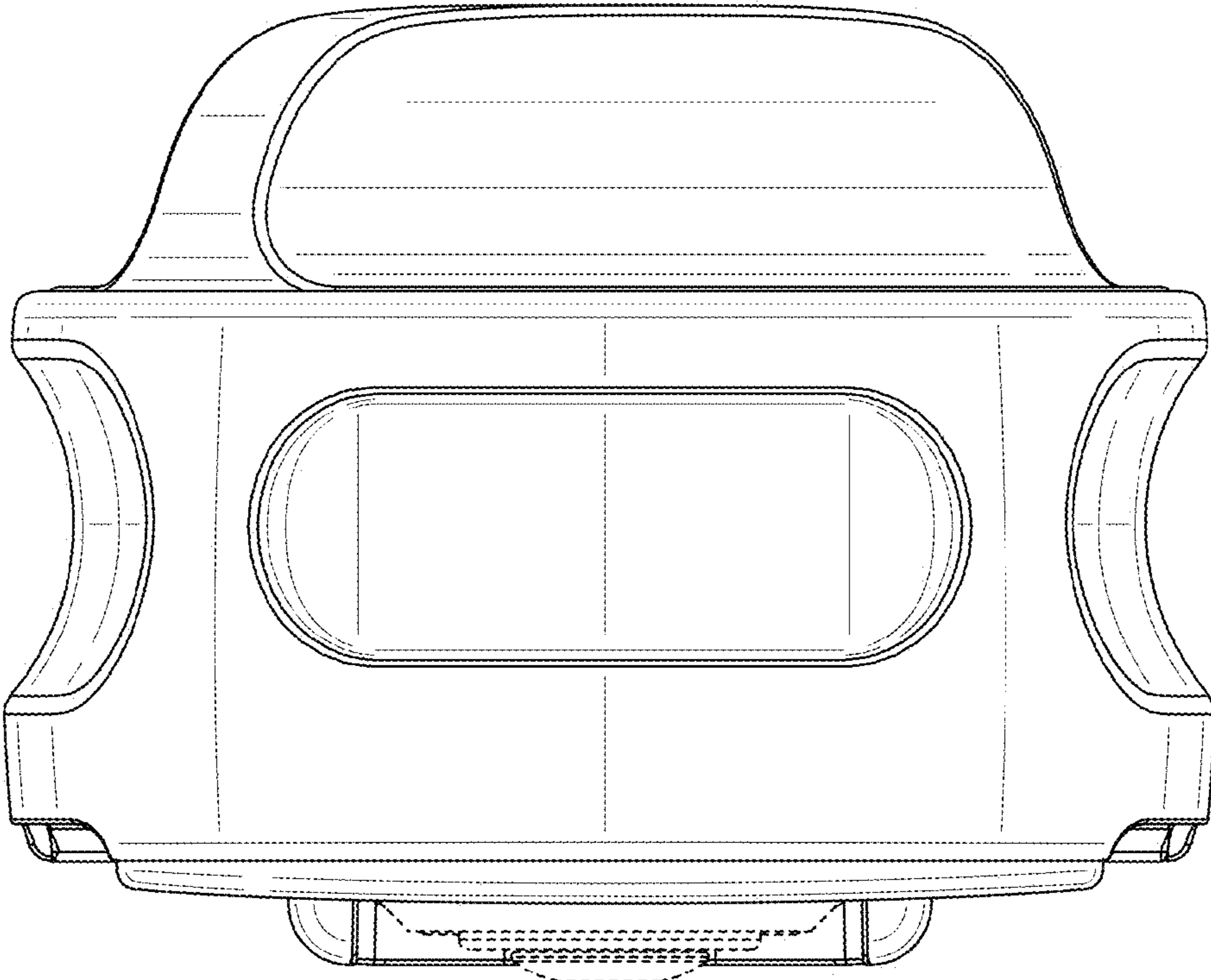


Fig.2

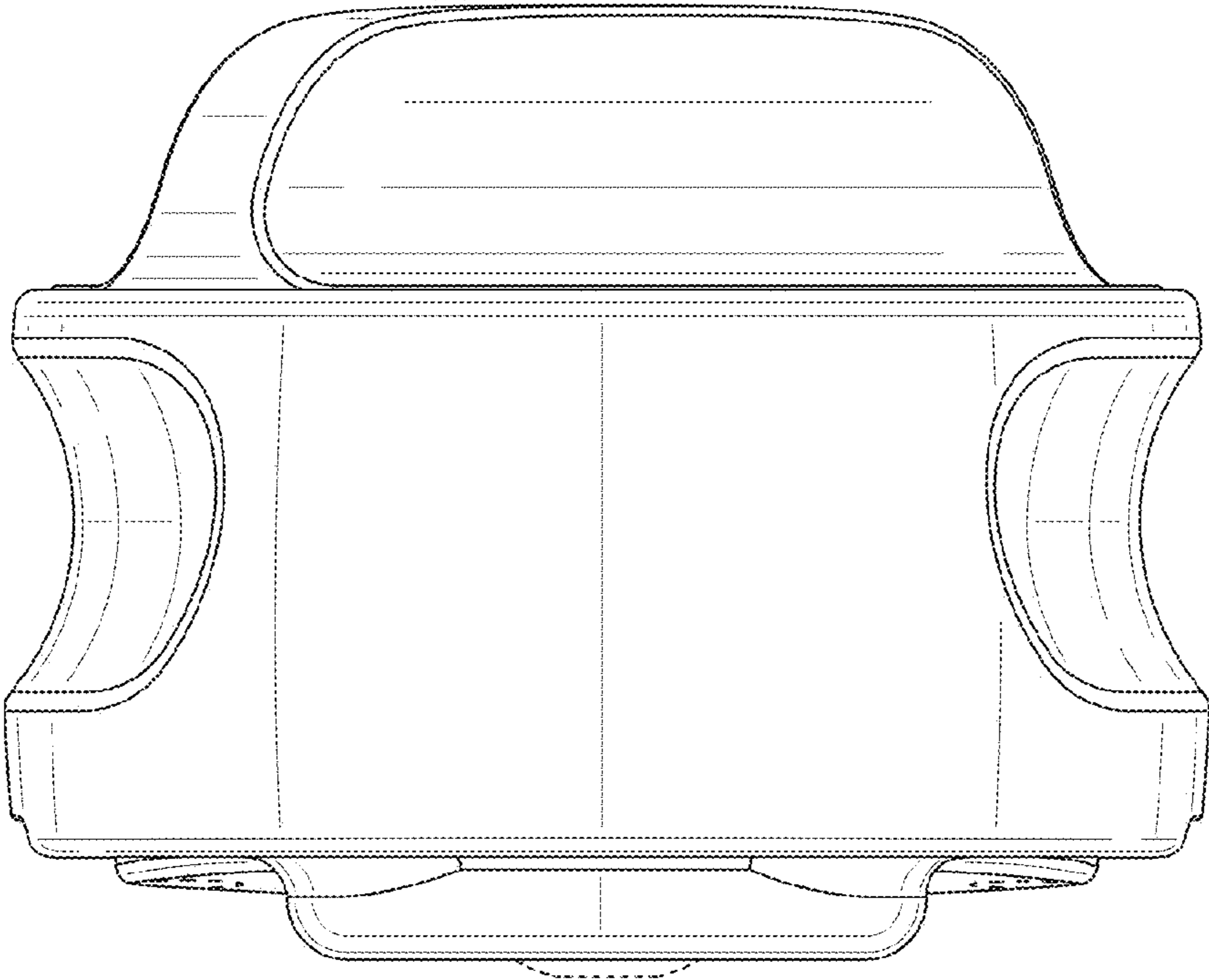


Fig.3

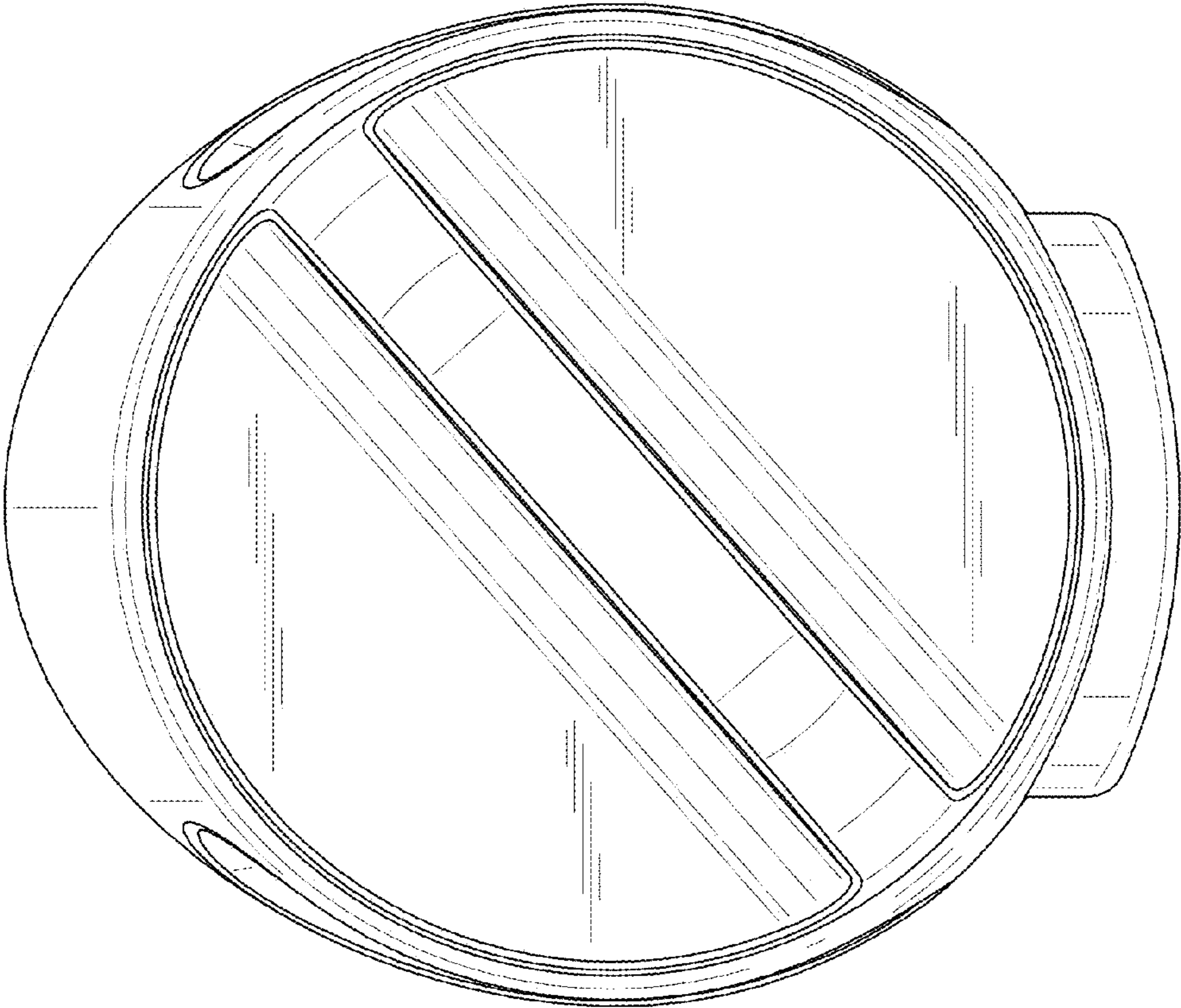


Fig.4

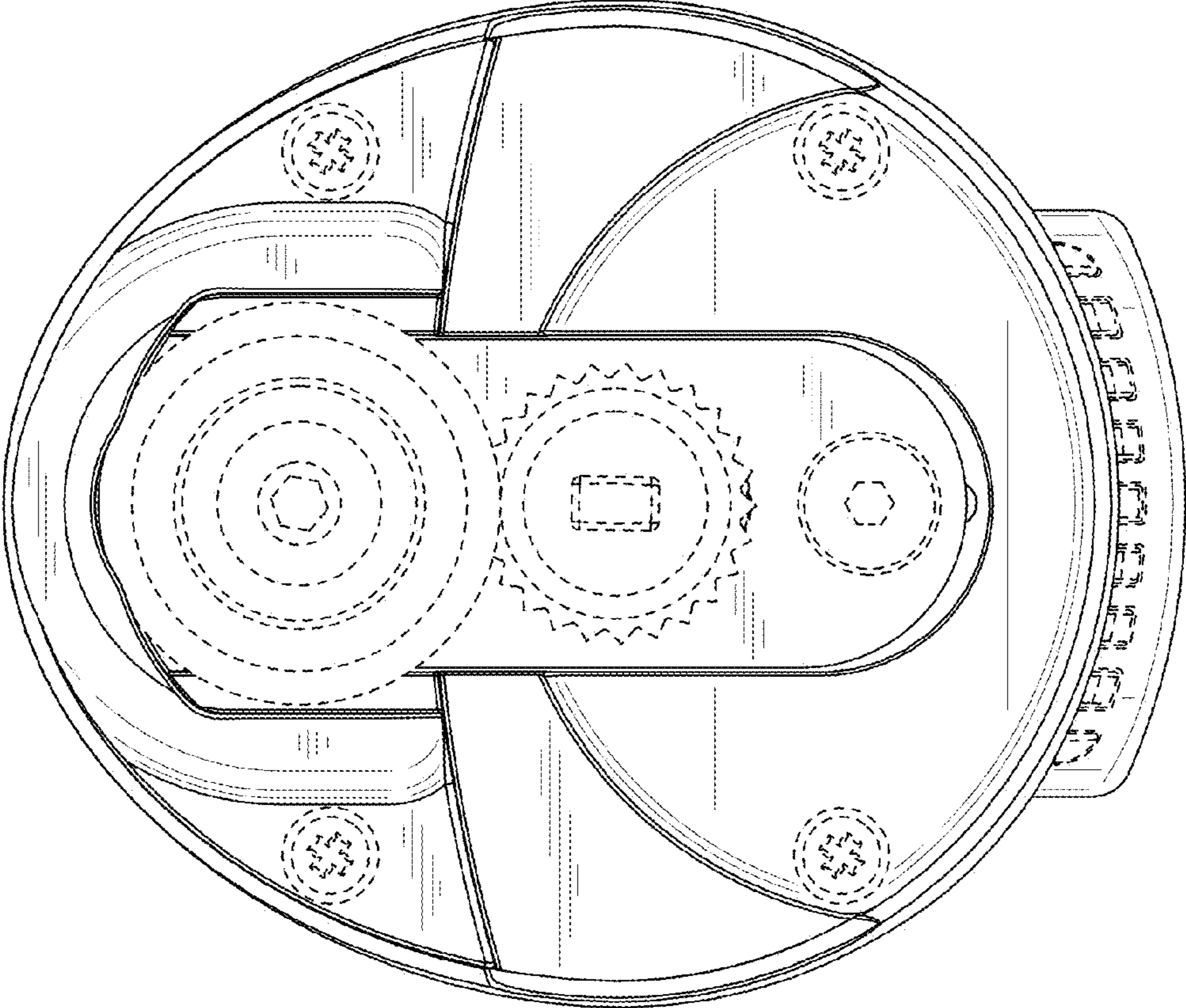


Fig.5

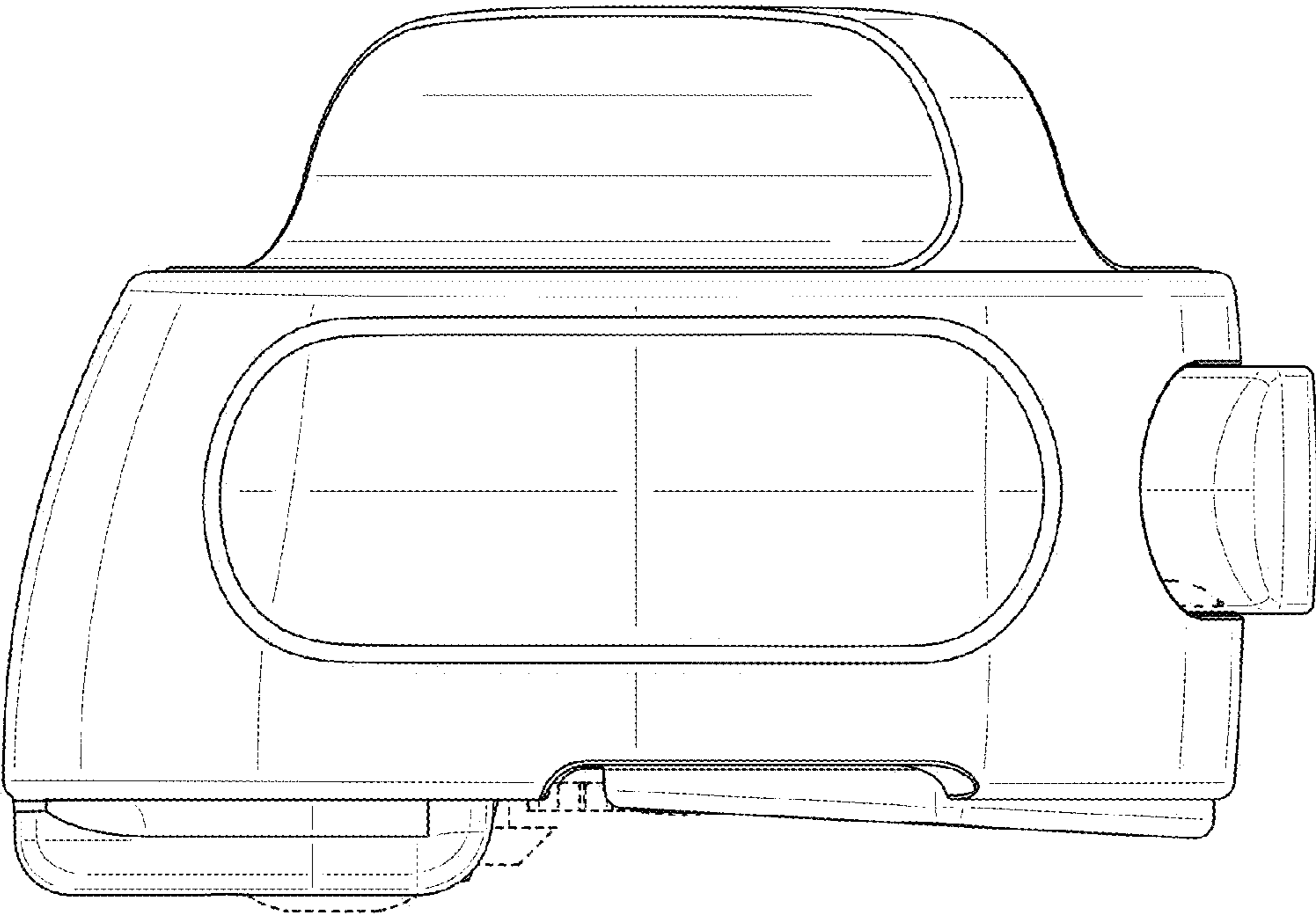


Fig.6

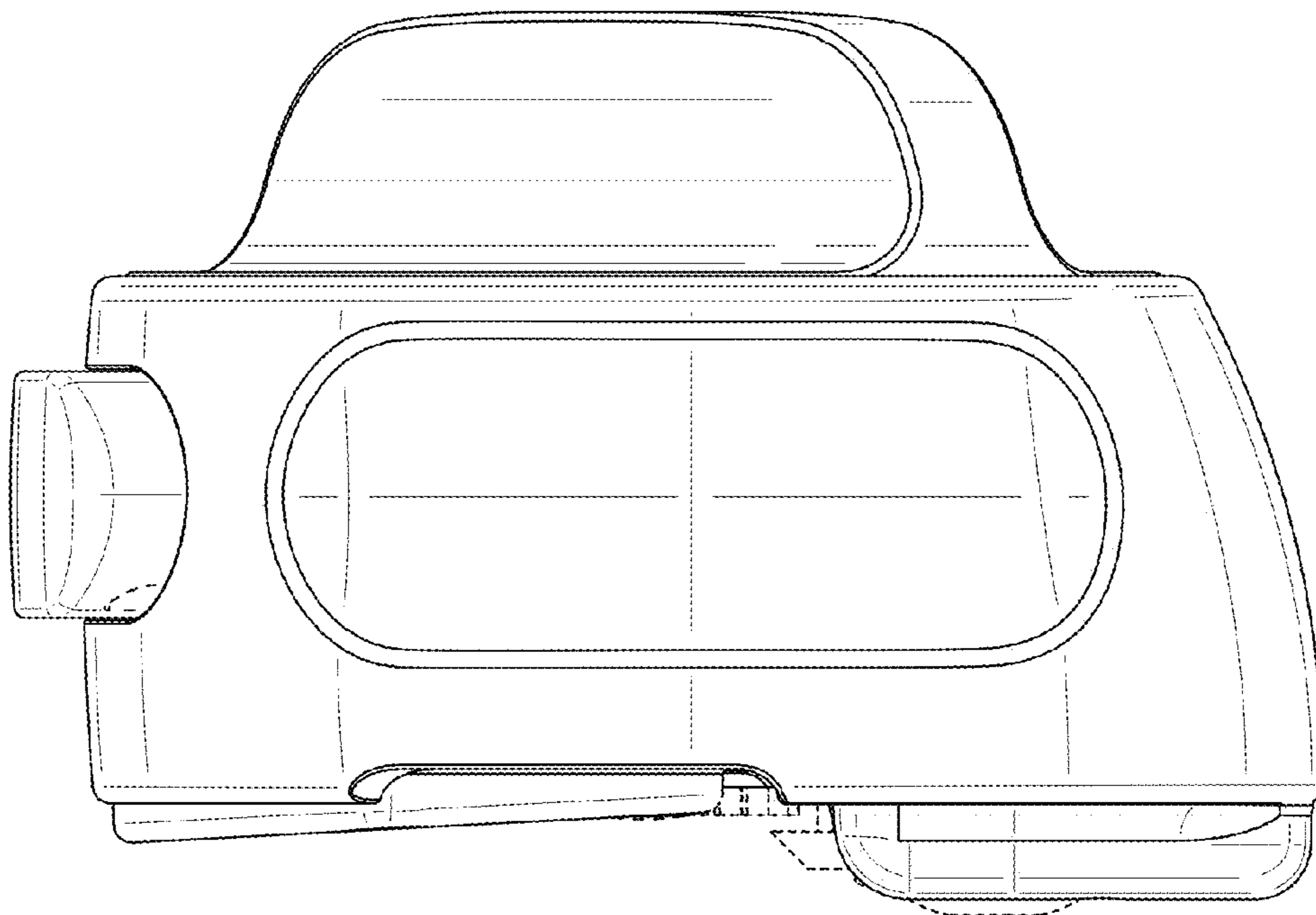


Fig.7

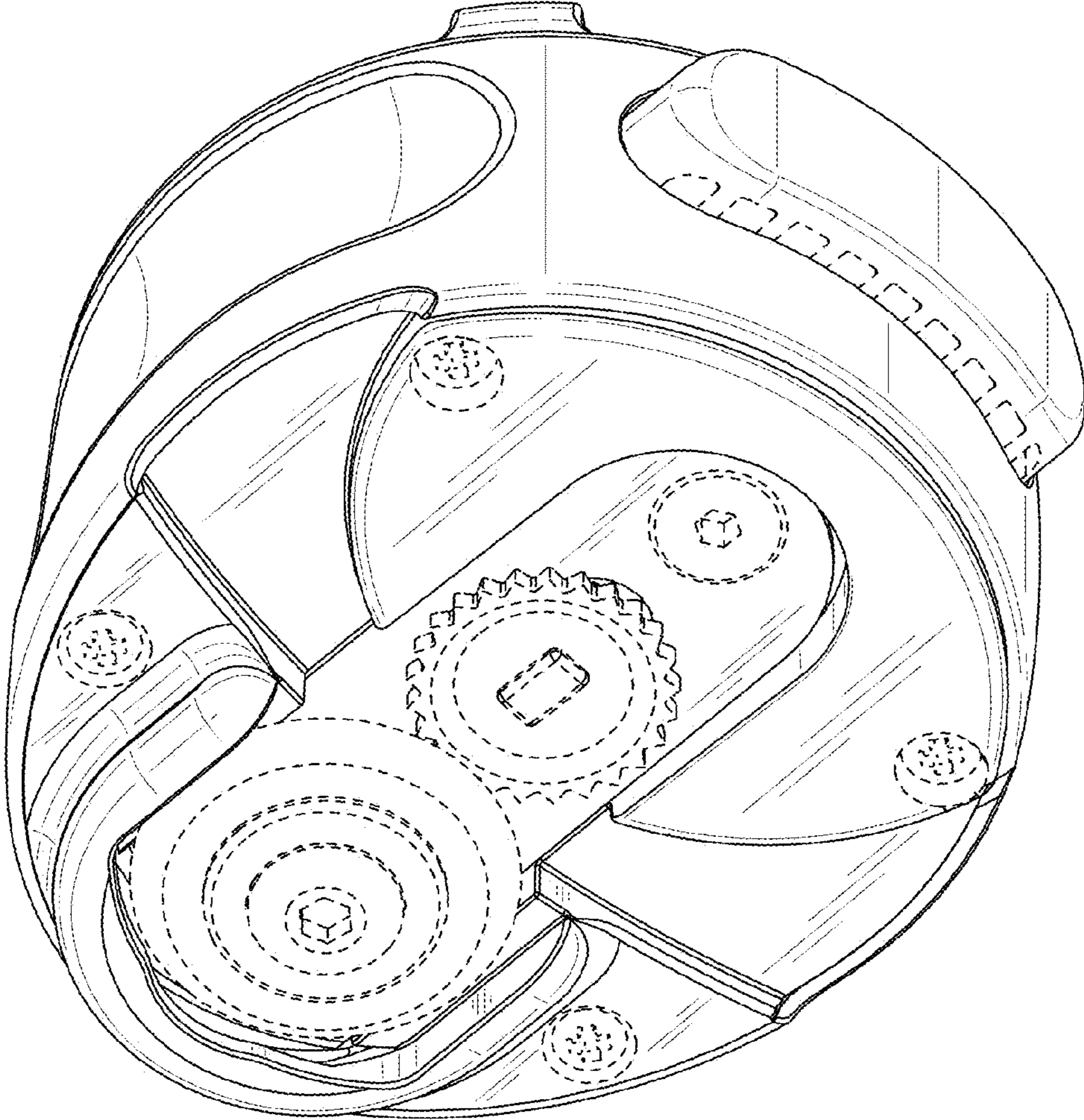


Fig.8