



US00D741124S

(12) **United States Design Patent**
Zettervall

(10) **Patent No.:** **US D741,124 S**

(45) **Date of Patent:** **** Oct. 20, 2015**

(54) **TOOL FOR OPENING WIRES IN CABLES**

(56) **References Cited**

(71) Applicant: **ABB Technology Ltd**, Zurich (CH)

U.S. PATENT DOCUMENTS

(72) Inventor: **Bjorn Zettervall**, Nattraby (SE)

4,682,413	A *	7/1987	Keller	29/825
D314,319	S *	2/1991	Keller	D8/14
D344,665	S *	3/1994	Baker	D8/88
D479,970	S *	9/2003	Hutchinson	D8/88
8,545,219	B2 *	10/2013	Saubers	433/3

(73) Assignee: **ABB Technology Ltd** (CH)

* cited by examiner

(**) Term: **14 Years**

Primary Examiner — Phillip S Hyder

(21) Appl. No.: **29/485,847**

(74) *Attorney, Agent, or Firm* — Whitmyer IP Group LLC

(22) Filed: **Mar. 24, 2014**

(57) **CLAIM**

The ornamental design for a tool for opening wires in cables, as shown and described.

(30) **Foreign Application Priority Data**

DESCRIPTION

Sep. 25, 2013 (EM) 002315325-0001

(51) **LOC (10) Cl.** **08-05**

(52) **U.S. Cl.**
USPC **D8/14**

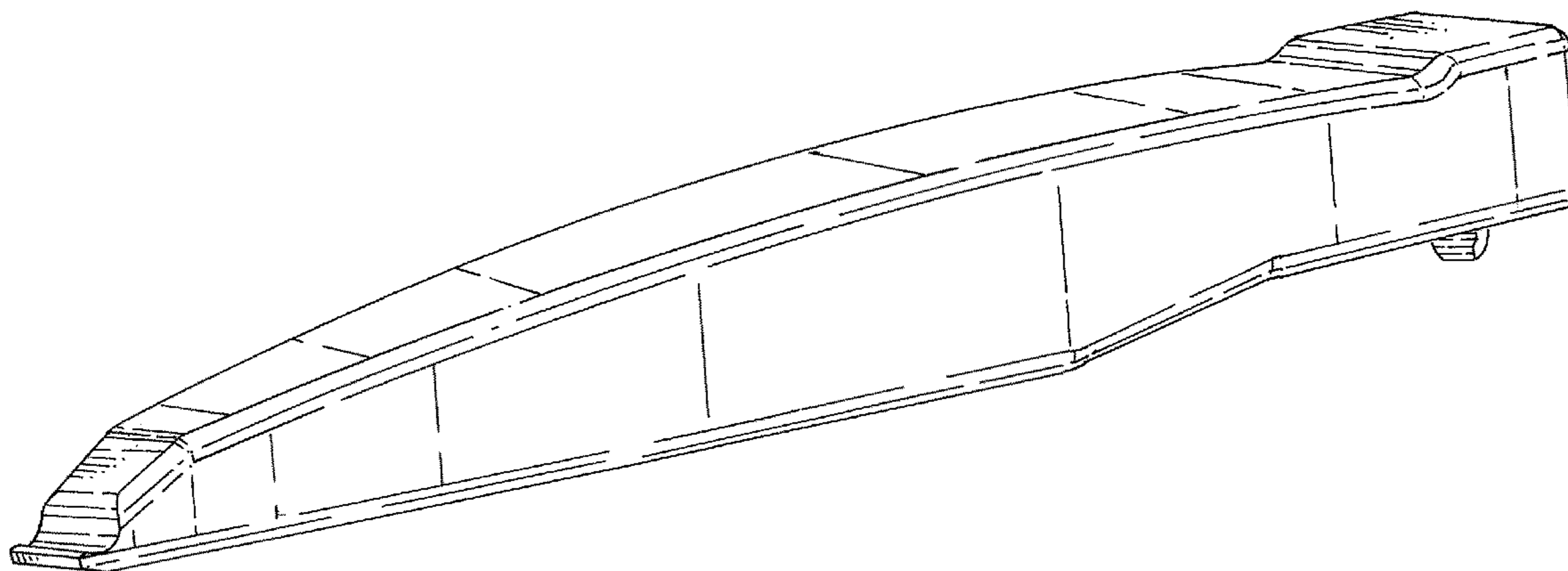
(58) **Field of Classification Search**
USPC D8/14, 51, 88, 89, 99; D24/146;
D32/46; 81/9.51

CPC H02G 1/12; Y10T 29/49117

See application file for complete search history.

FIG. 1 is a top left side front isometric view of a tool for opening wires in cables in accordance with the new design; FIG. 2 is a bottom left side isometric view thereof; FIG. 3 is a top plan view thereof; FIG. 4 is a bottom plan view thereof; FIG. 5 is a right side elevational view thereof, the left side elevational view being a mirror image thereof; FIG. 6 is a front elevational view thereof; and, FIG. 7 is a rear elevational view thereof.

1 Claim, 6 Drawing Sheets



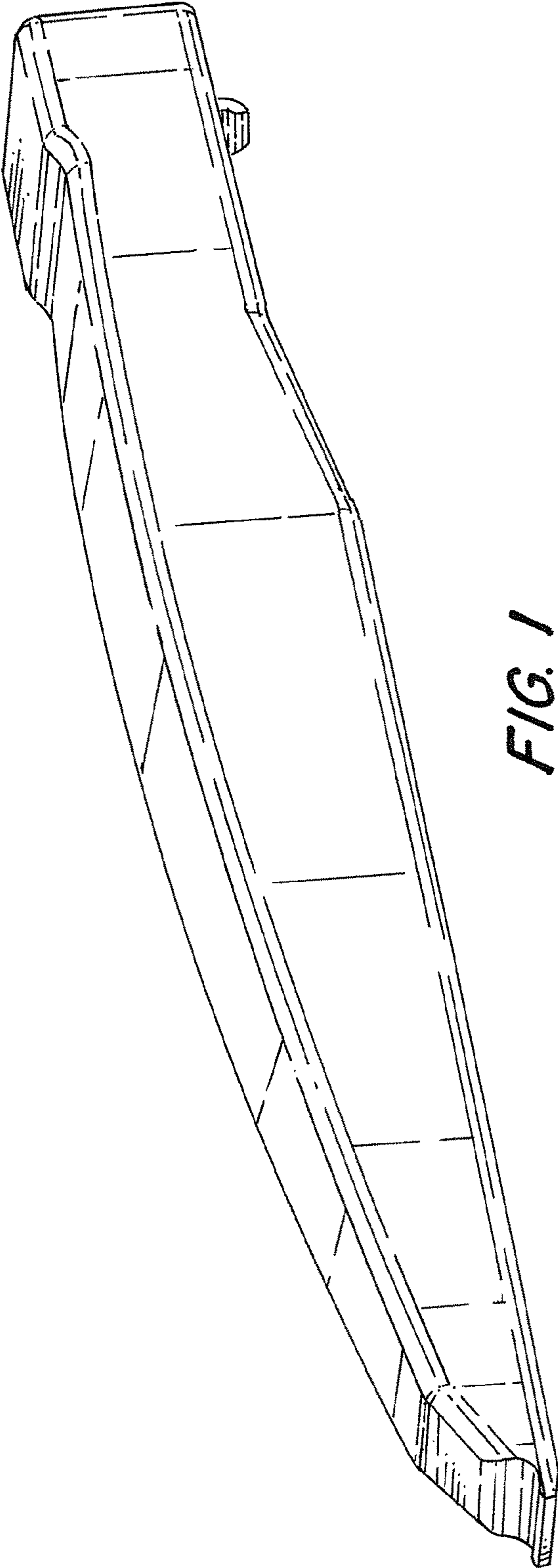


FIG. 1

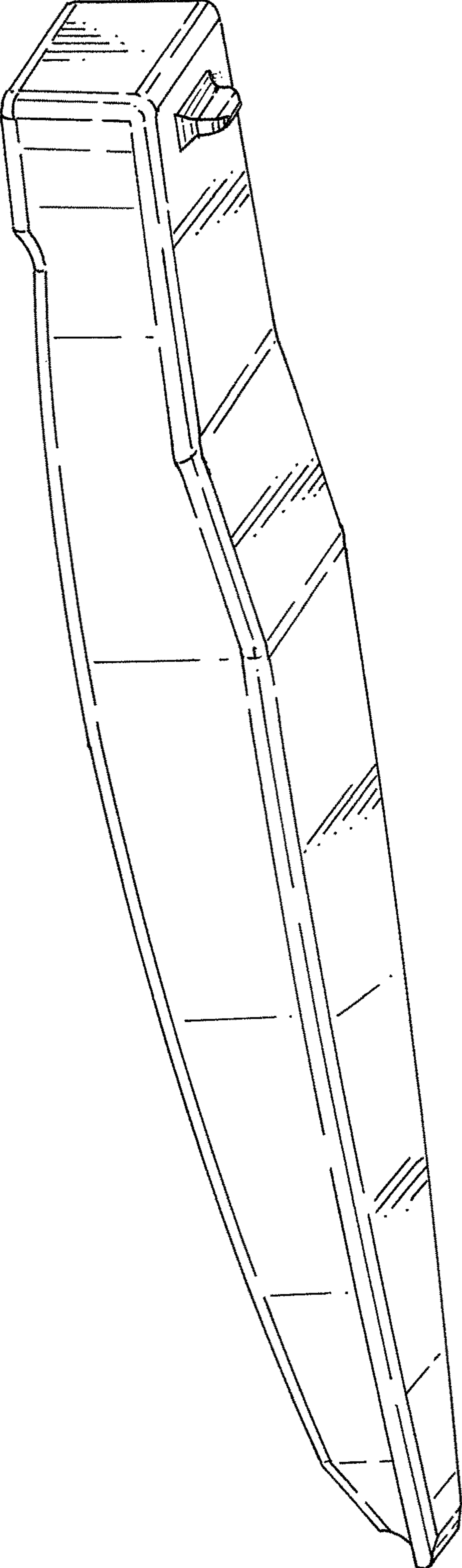


FIG. 2

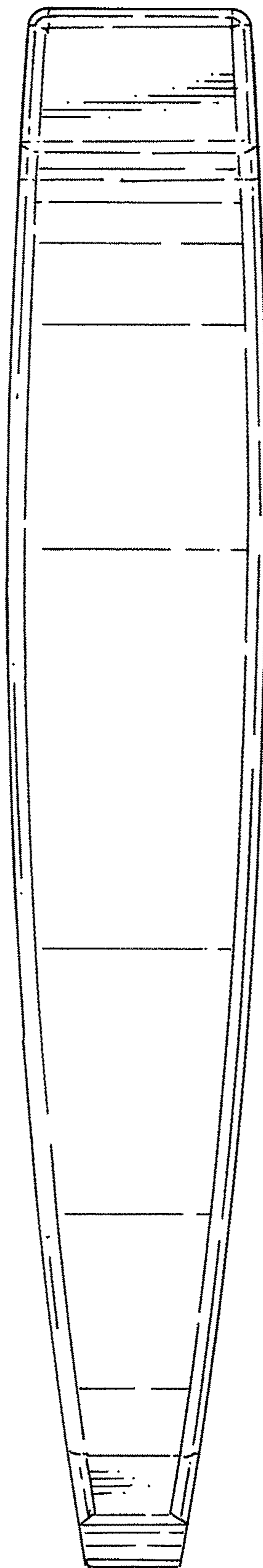


FIG. 3

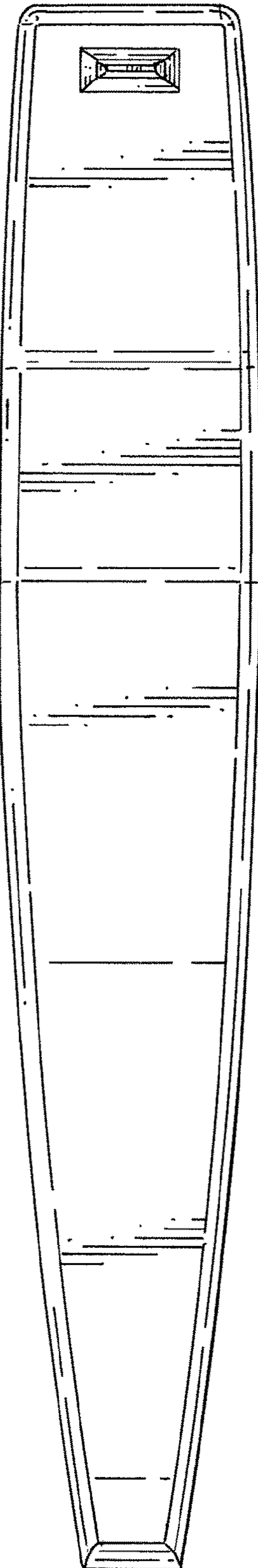


FIG. 4

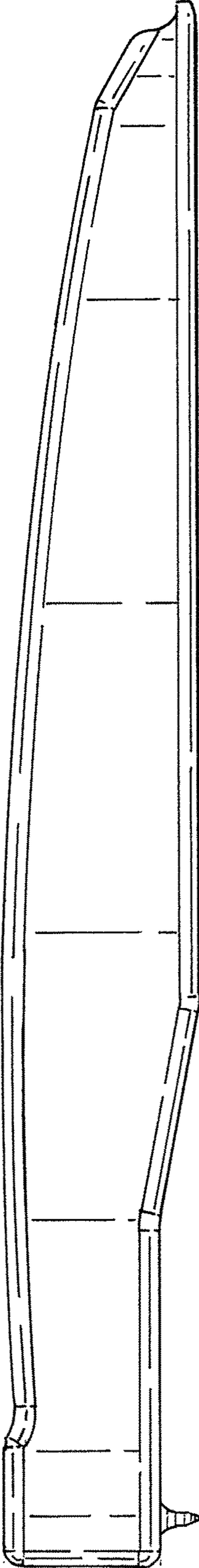


FIG. 5

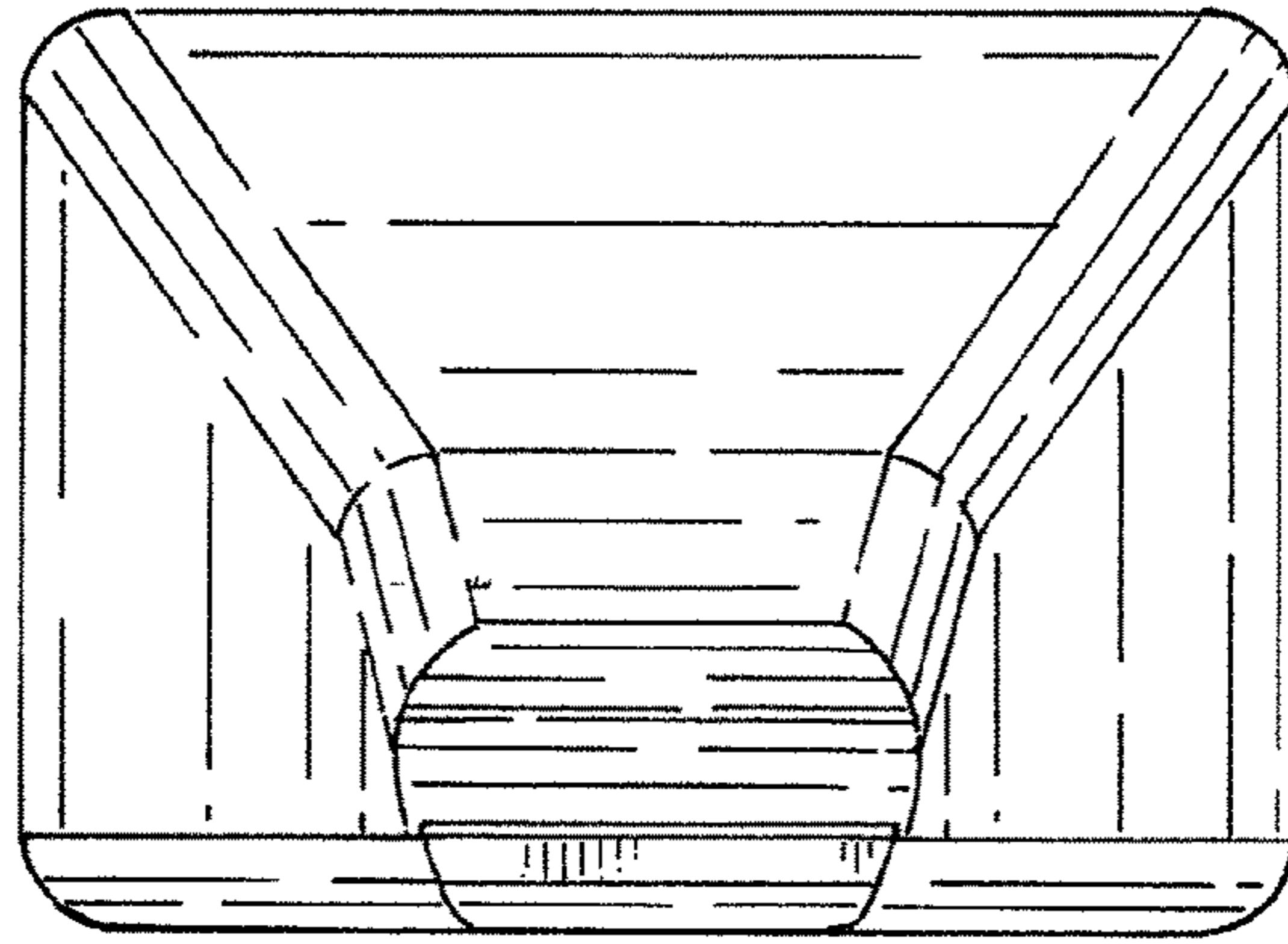


FIG. 6

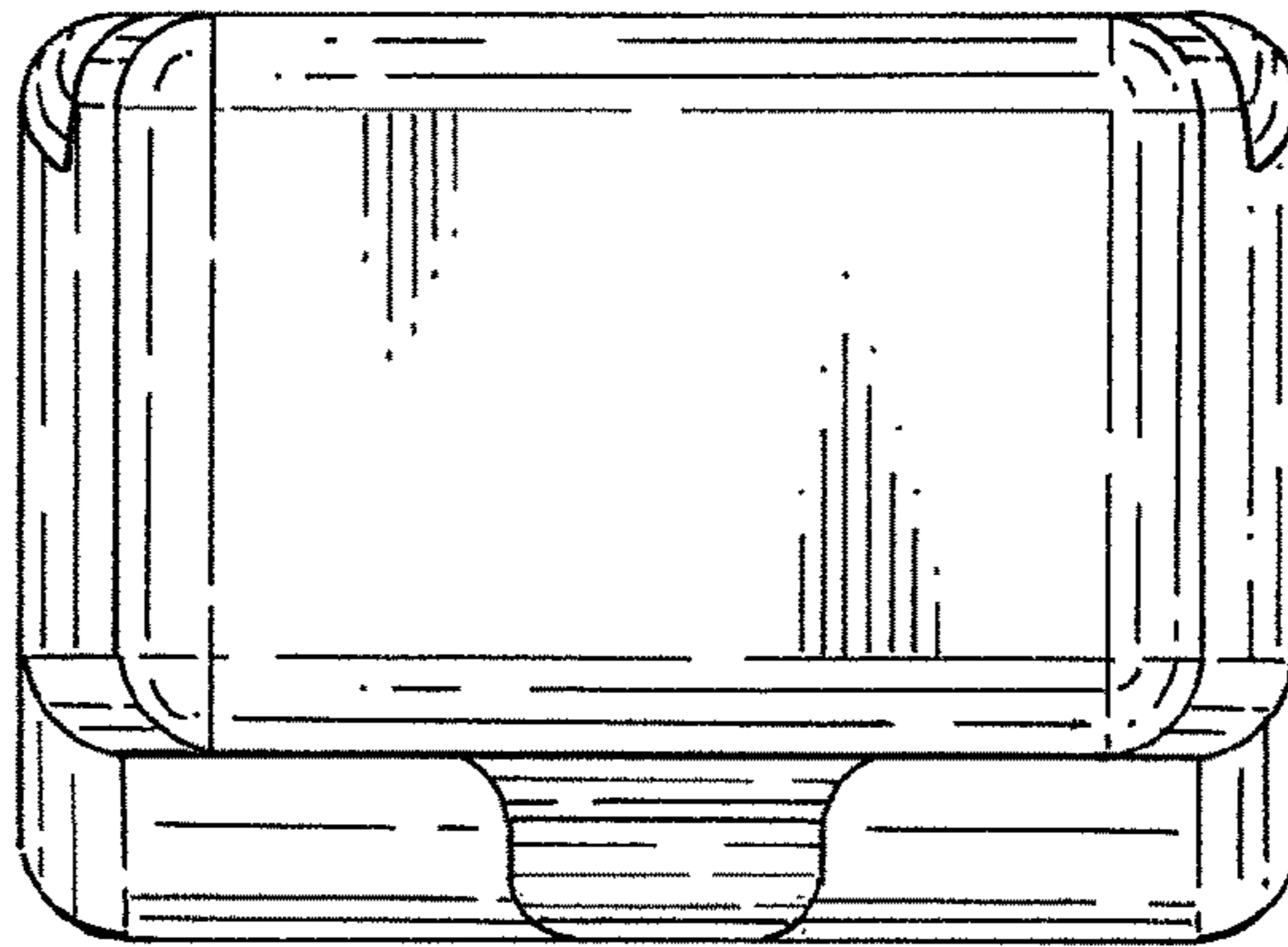


FIG. 7