



US00D741123S

(12) **United States Design Patent**
Calman et al.

(10) **Patent No.:** **US D741,123 S**

(45) **Date of Patent:** **** Oct. 20, 2015**

(54) **FILAMENT TAPE UTILIZATION DEVICE**

(71) Applicants: **Kenneth J. Calman**, Fort Lauderdale, FL (US); **Kathryn S. Calman**, Fort Lauderdale, FL (US)

(72) Inventors: **Kenneth J. Calman**, Fort Lauderdale, FL (US); **Kathryn S. Calman**, Fort Lauderdale, FL (US)

(**) Term: **14 Years**

(21) Appl. No.: **29/459,298**

(22) Filed: **Jun. 27, 2013**

(51) **LOC (10) Cl.** **08-05**

(52) **U.S. Cl.**
USPC **D8/14**

(58) **Field of Classification Search**
USPC D8/14, 51, 16, 90, 70; D24/112, 130, D24/133, 135; D32/46; 81/488; 7/100; 254/113, 120; 294/26
See application file for complete search history.

(56) **References Cited**

U.S. PATENT DOCUMENTS

D154,227 S * 6/1949 Alvizua D28/59
2,626,855 A * 1/1953 Hand 436/20
D248,729 S * 8/1978 Gunzner D8/91

D298,407 S * 11/1988 Vowell, Jr. D8/14
D331,301 S * 11/1992 Say, Jr. D32/46
D379,256 S * 5/1997 Tipp D32/46
D651,490 S * 1/2012 Buonfiglio D8/16
D663,591 S * 7/2012 Madren D7/688
D717,144 S * 11/2014 Macor D8/21

* cited by examiner

Primary Examiner — Phillip S Hyder

(74) *Attorney, Agent, or Firm* — Ice Miller LLP

(57) **CLAIM**

The ornamental design for a filament tape utilization device, as shown and described.

DESCRIPTION

FIG. 1 is a top left side perspective view of the subject device; FIG. 2 is a bottom right side perspective view of the subject device;

FIG. 3 is a bottom plan view of the subject device;

FIG. 4 is a top plan view of the subject device;

FIG. 5 is a left side elevation view of the subject device;

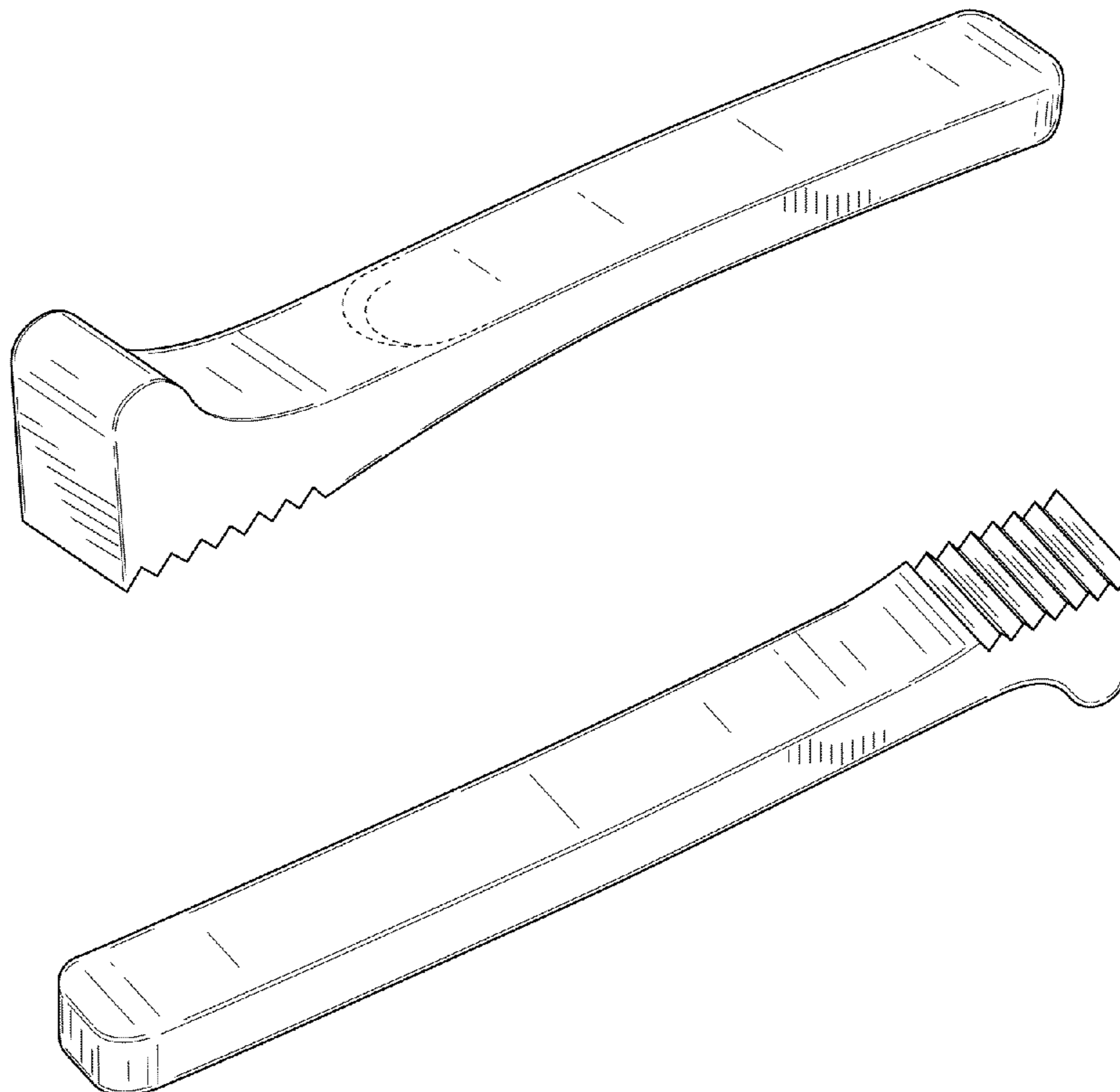
FIG. 6 is a right side elevation view of the subject device;

FIG. 7 is a front elevation view of the subject device; and,

FIG. 8 is a rear elevation view of the subject device.

The broken line showing of the recessed area is for the purpose of illustrating portions of the subject device and forms no part of the claimed design.

1 Claim, 4 Drawing Sheets



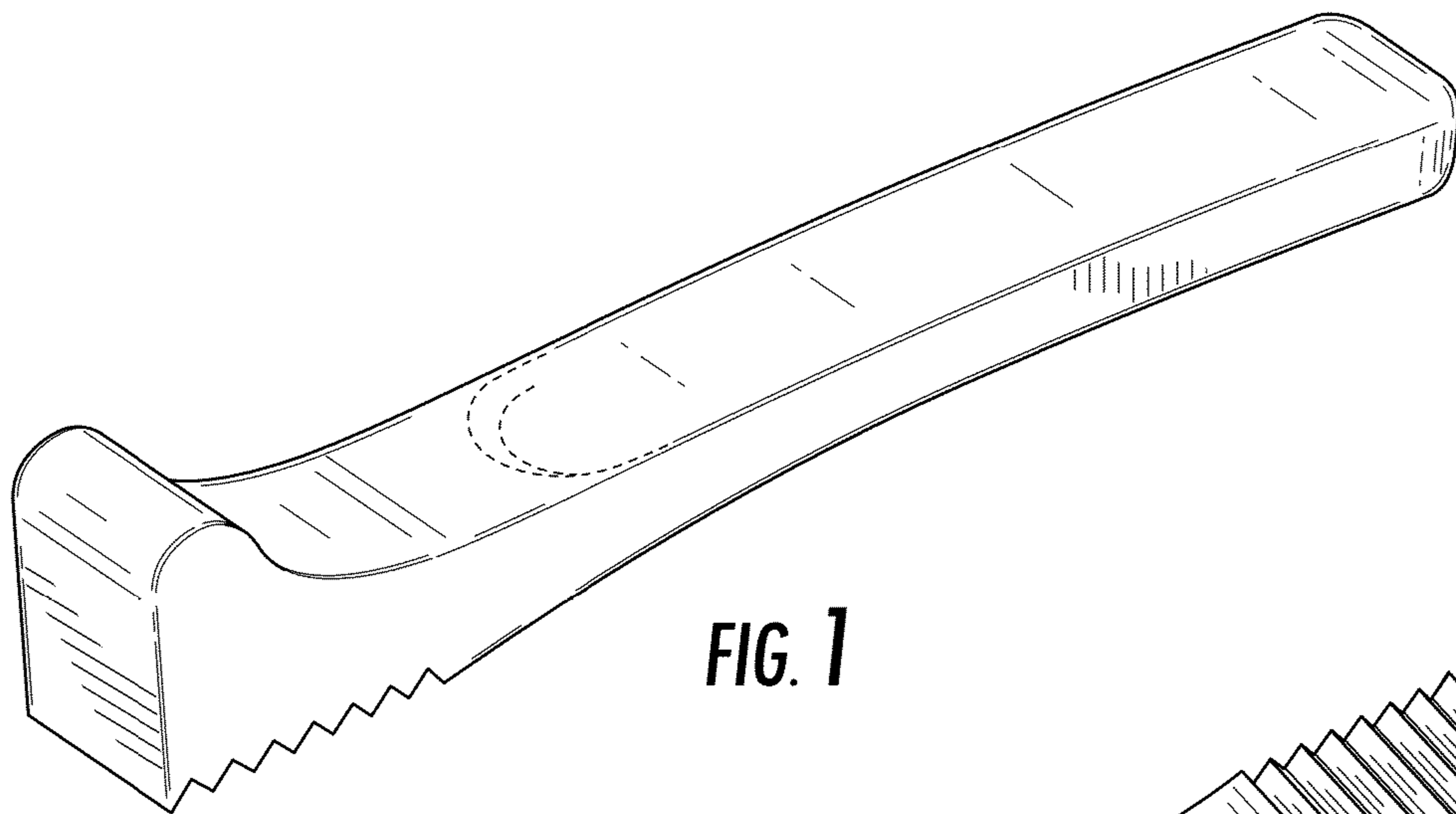


FIG. 1

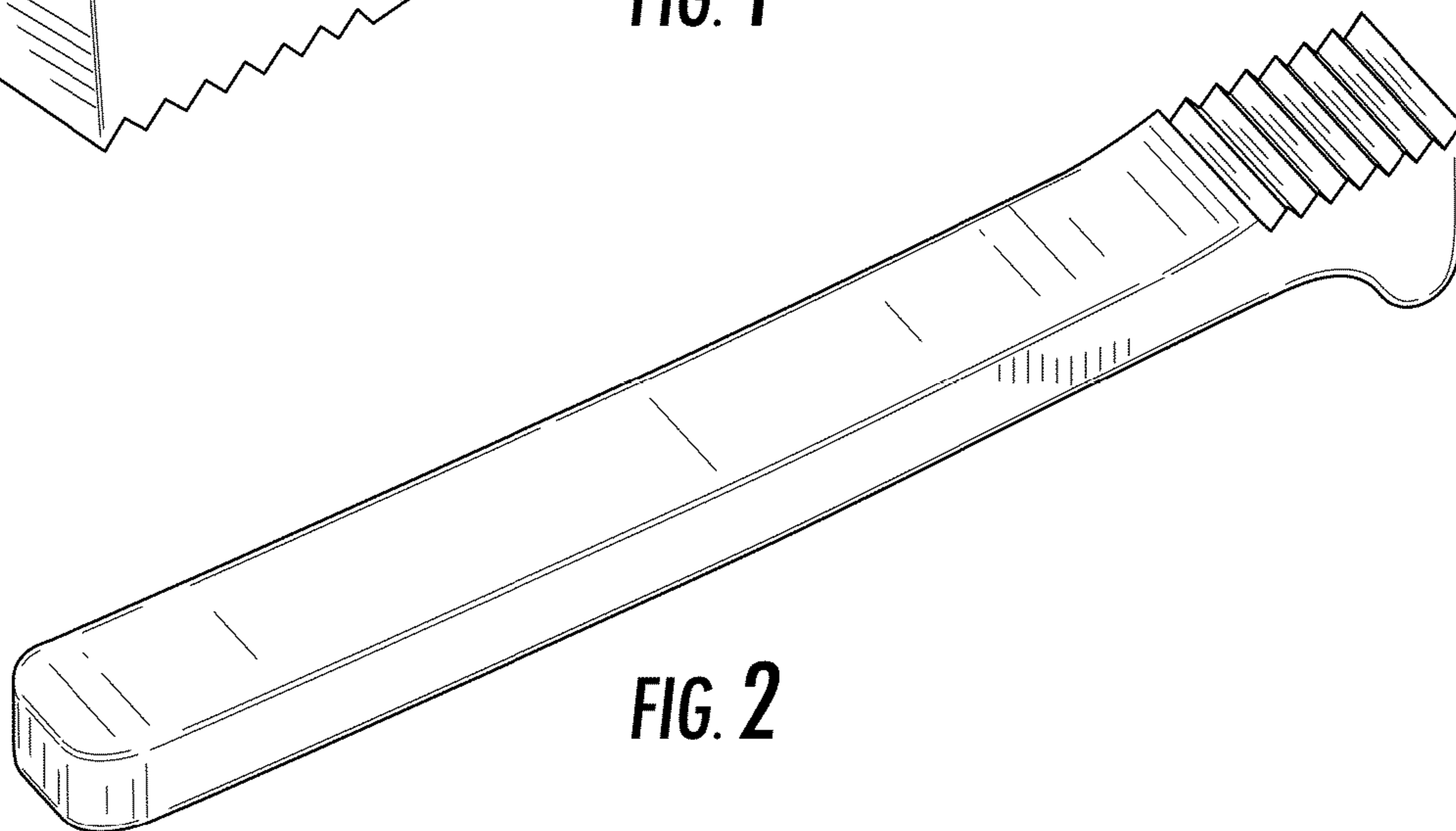


FIG. 2

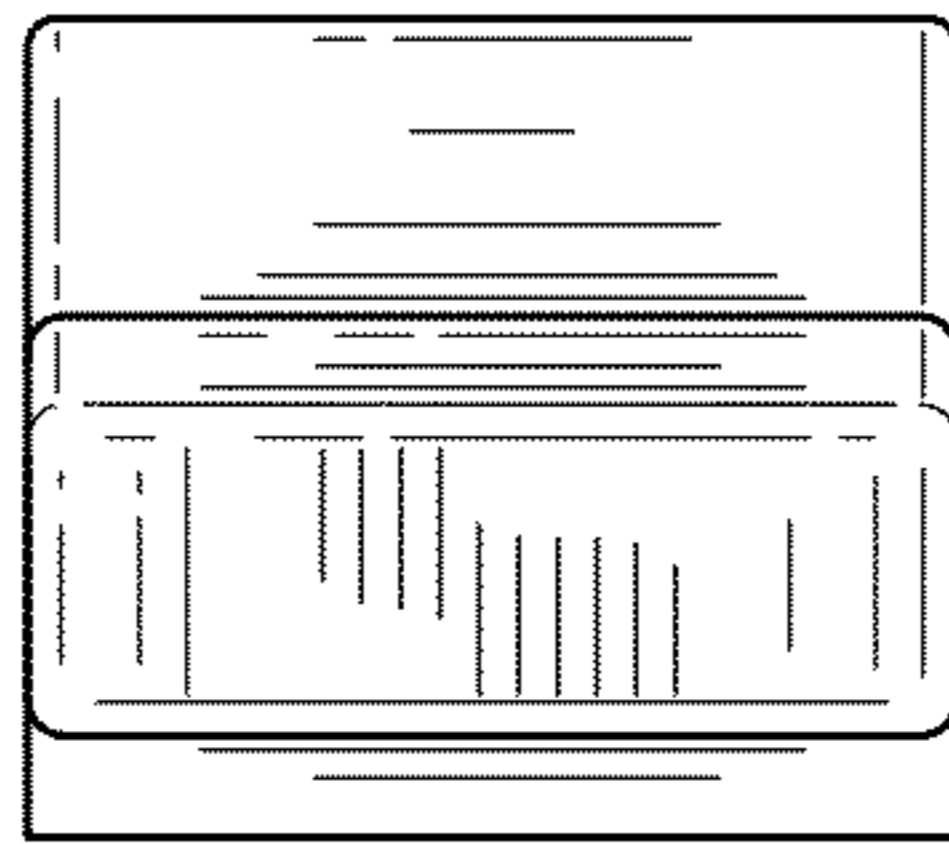


FIG. 3

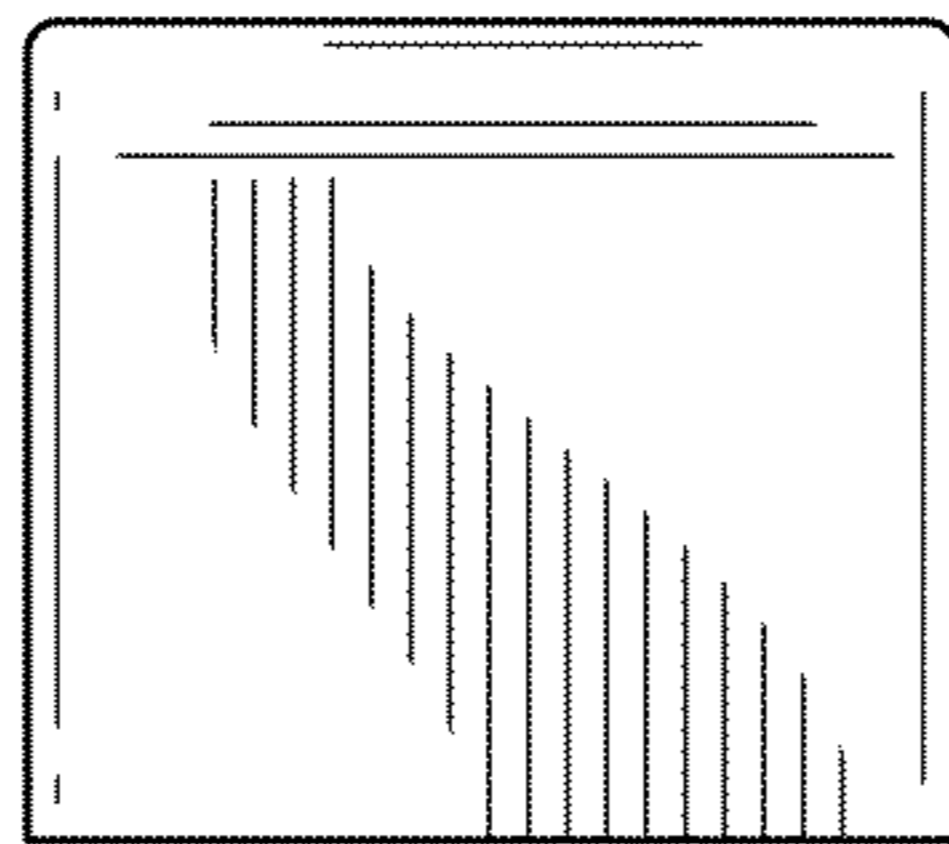


FIG. 4

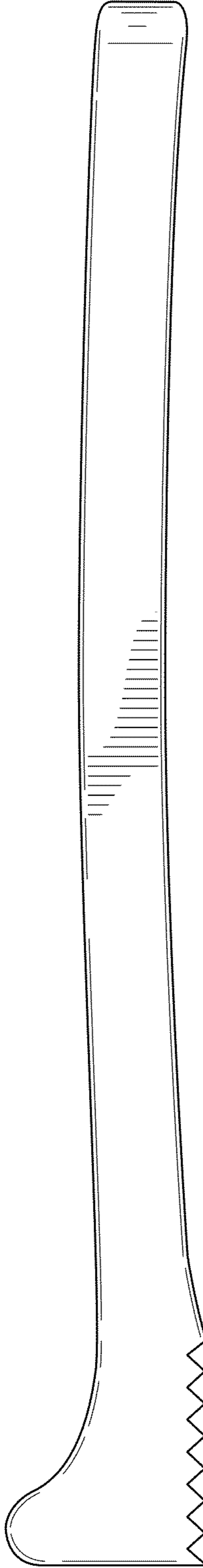


FIG. 5

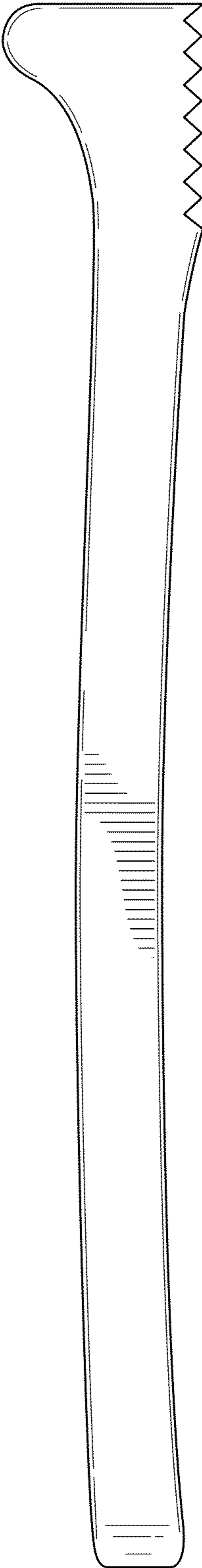


FIG. 6

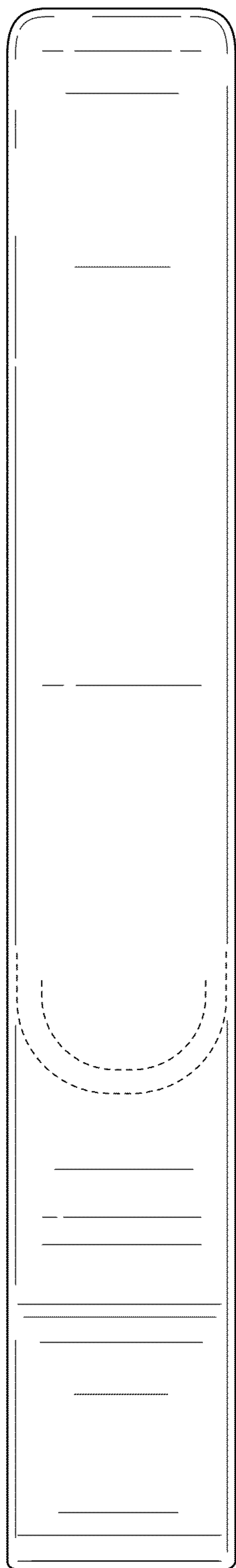


FIG. 7

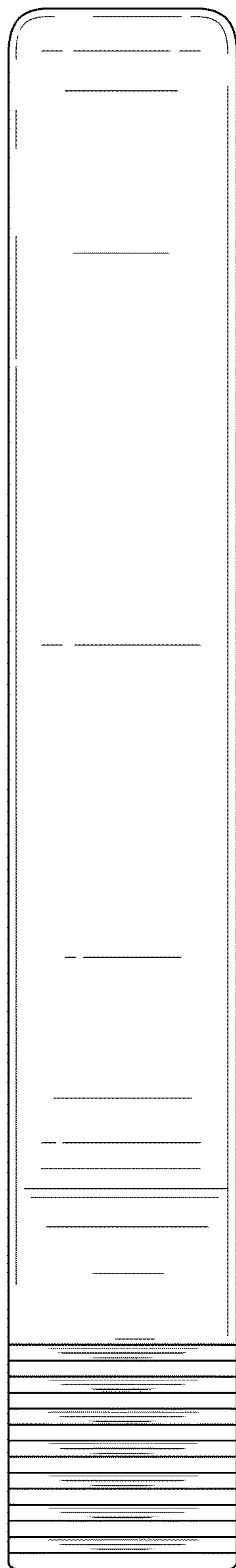


FIG. 8