



US00D741120S

(12) **United States Design Patent**
Hundley

(10) **Patent No.:** **US D741,120 S**

(45) **Date of Patent:** **** Oct. 20, 2015**

(54) **FOOD SERVING STATION**

(71) Applicant: **The Vollrath Company, L.L.C.**,
Sheboygan, WI (US)

(72) Inventor: **Jill E. Hundley**, Sheboygan, WI (US)

(73) Assignee: **The Vollrath Company, L.L.C.**,
Sheboygan, WI (US)

(**) Term: **14 Years**

(21) Appl. No.: **29/476,523**

(22) Filed: **Dec. 13, 2013**

(51) **LOC (10) Cl.** **07-04**

(52) **U.S. Cl.**
USPC **D7/698**

(58) **Field of Classification Search**
USPC D7/332, 354, 359-360, 368, 392.1,
D7/396.1, 409, 412, 505, 546, 550.1,
D7/552.1, 553.1, 554.3-554.4, 555, 586,
D7/637, 673, 698-699; 269/13, 15-16,
269/289 R, 302.1, 575; 99/357, 449-450;
D26/60-65
CPC A47J 2201/00; A47J 36/24; A47J 43/00;
A47J 47/00; A47J 47/01; A47J 47/02
See application file for complete search history.

(56) **References Cited**

U.S. PATENT DOCUMENTS

D655,140 S *	3/2012	Saunders et al.	D7/698
D659,490 S *	5/2012	Saunders et al.	D7/698
D670,981 S *	11/2012	Saunders et al.	D7/698
D677,131 S *	3/2013	Saunders et al.	D7/698

* cited by examiner

Primary Examiner — Michael A Pratt

(74) *Attorney, Agent, or Firm* — Foley & Lardner LLP

(57) **CLAIM**

I claim the ornamental design for a food serving station, as shown and described.

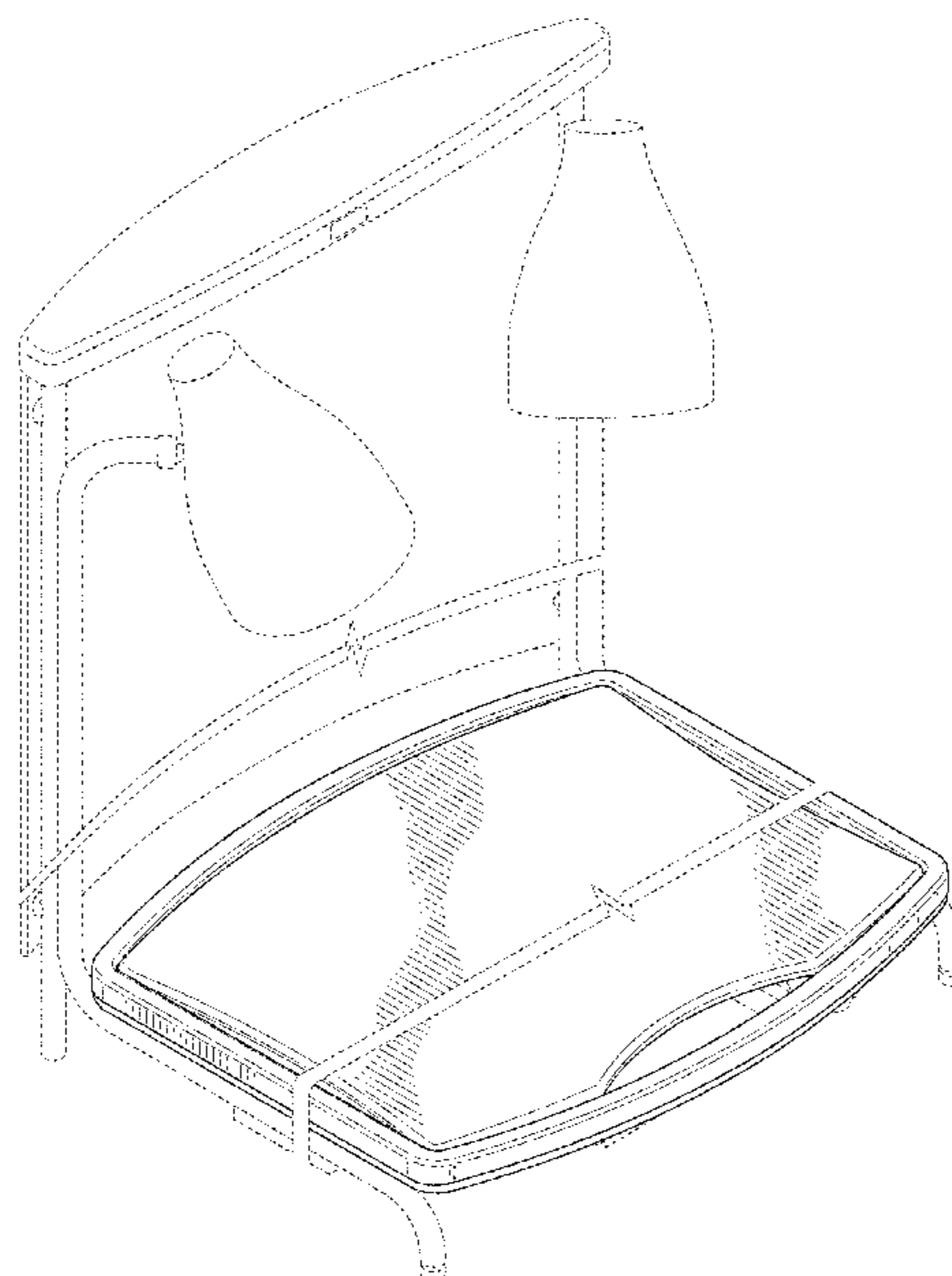
DESCRIPTION

FIG. 1 is a top perspective view of an embodiment of the claimed design;
FIG. 2 is a bottom perspective view of an embodiment of the claimed design;
FIG. 3 is a rear view thereof;
FIG. 4 is a front view thereof;
FIG. 5 is a left side view thereof;
FIG. 6 is a right side view thereof;
FIG. 7 is a top view thereof; and,
FIG. 8 is a bottom view thereof.

The ornamental design which is claimed is shown in solid lines in the drawings. The broken lines in the drawings show unclaimed portions, are for illustrative purposes only, and form no part of the claimed design.

While the accompanying drawings illustrate one or more exemplary embodiments, it should be understood that according to other exemplary embodiments that should be considered to be within the possession of the inventors of the present application at the time this application is being filed, it is contemplated that any illustrated solid lines (or portions thereof) may be converted to broken lines and that any illustrated broken lines (or portions thereof) may be converted to solid lines so as to claim or disclaim portions, components, or sub-components of the designs shown. It is further contemplated that shading may be added or removed to claim or disclaim the corresponding surfaces.

1 Claim, 8 Drawing Sheets



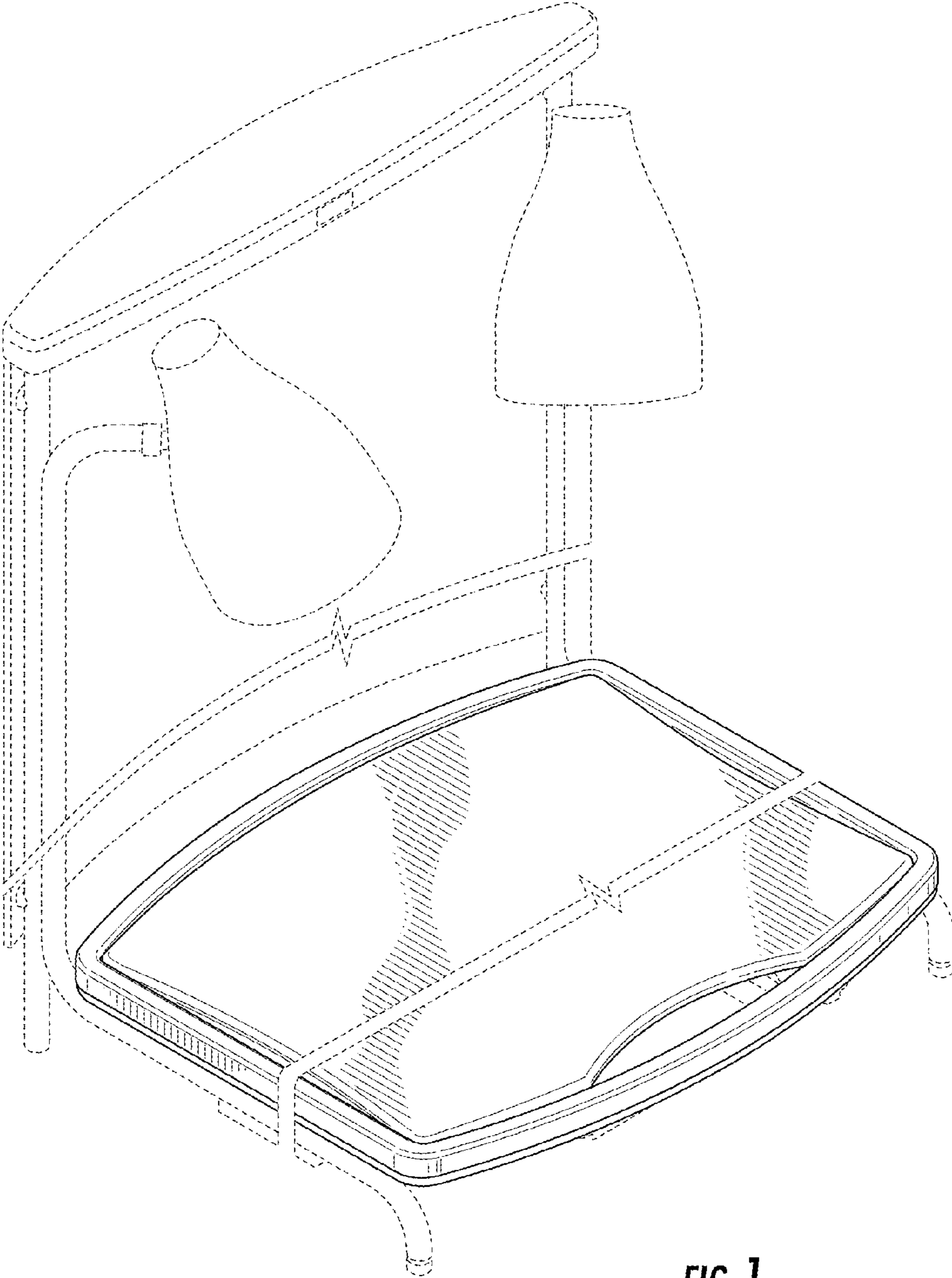


FIG. 1

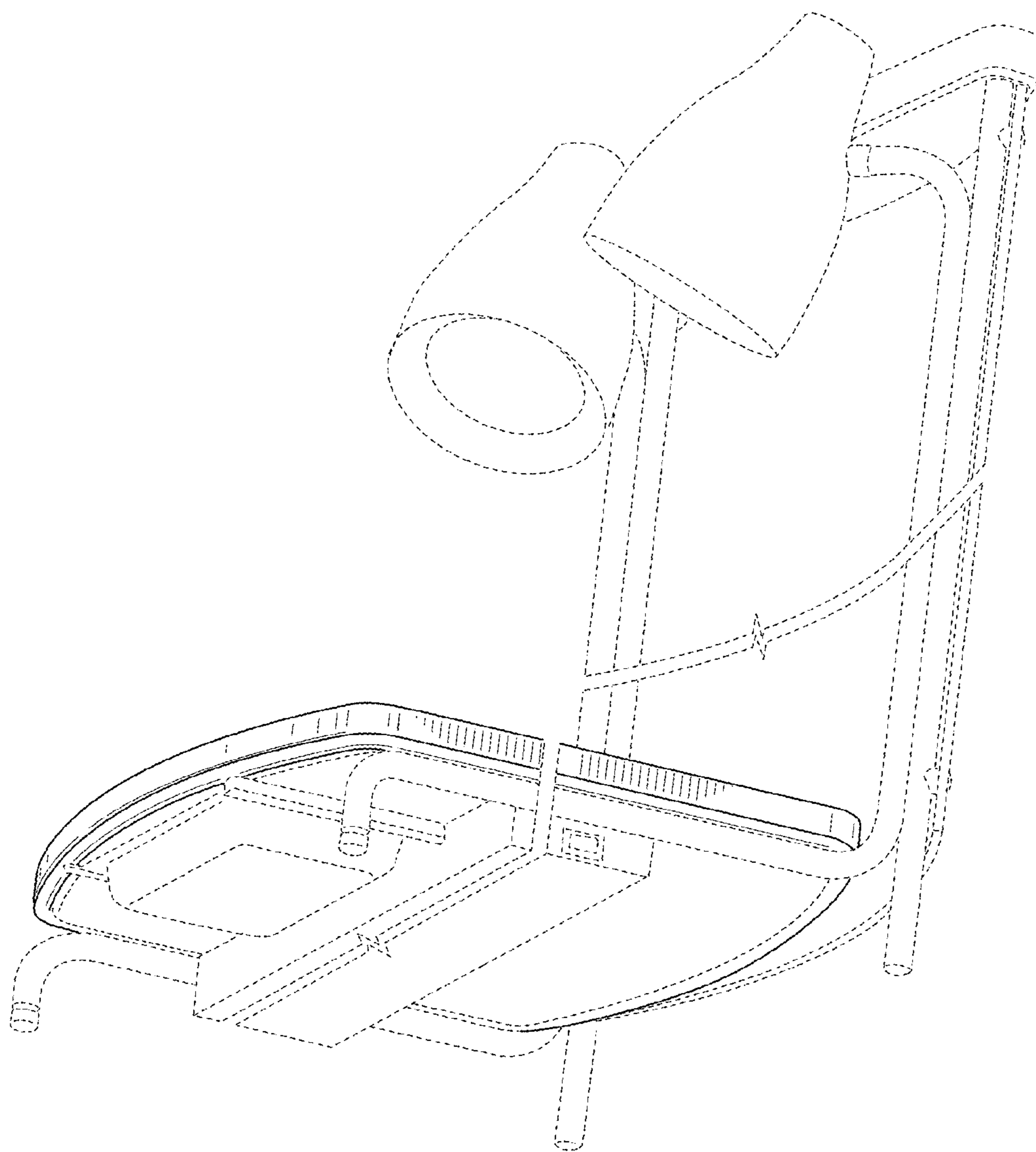


FIG. 2

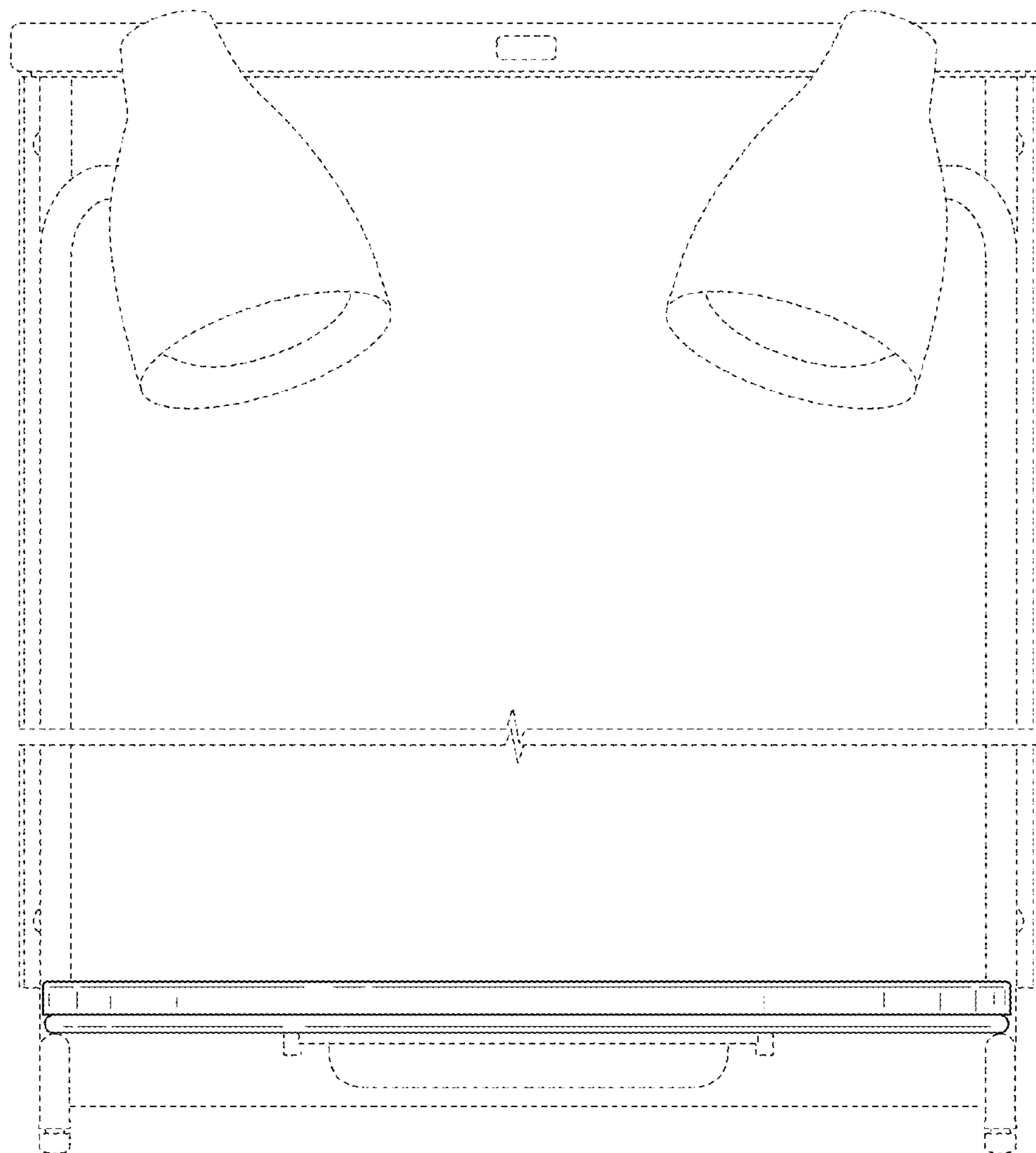


FIG. 3

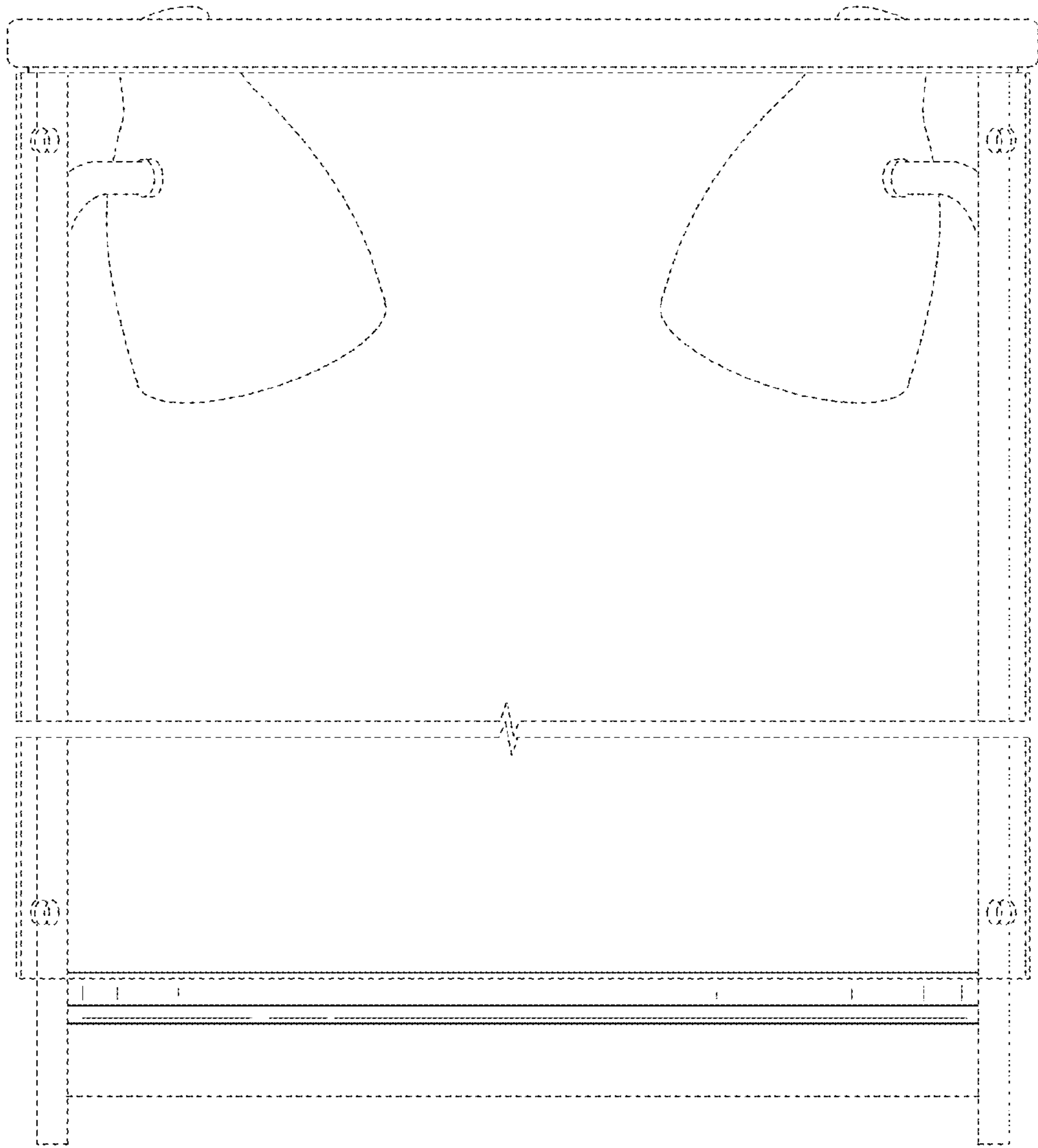


FIG. 4

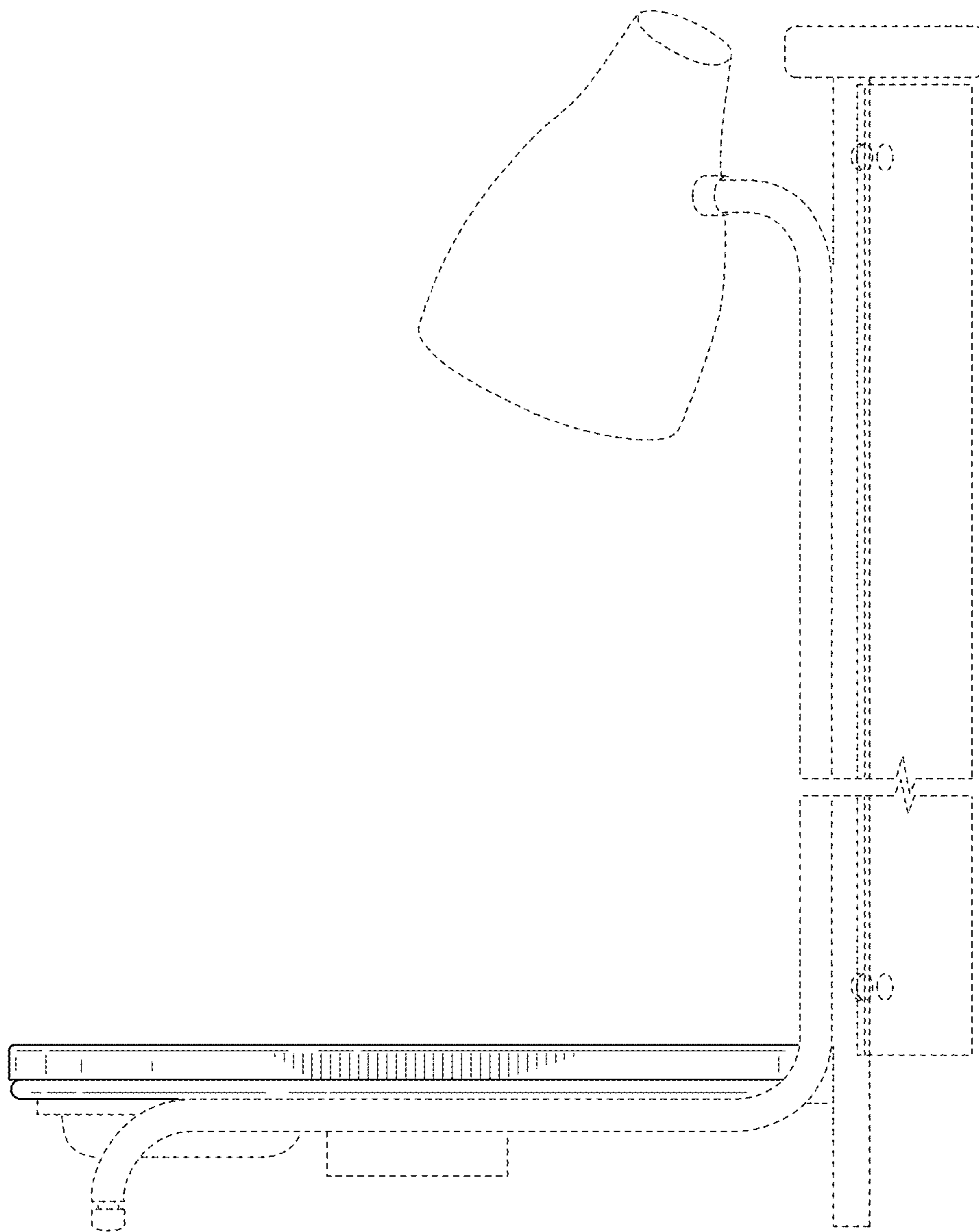


FIG. 5

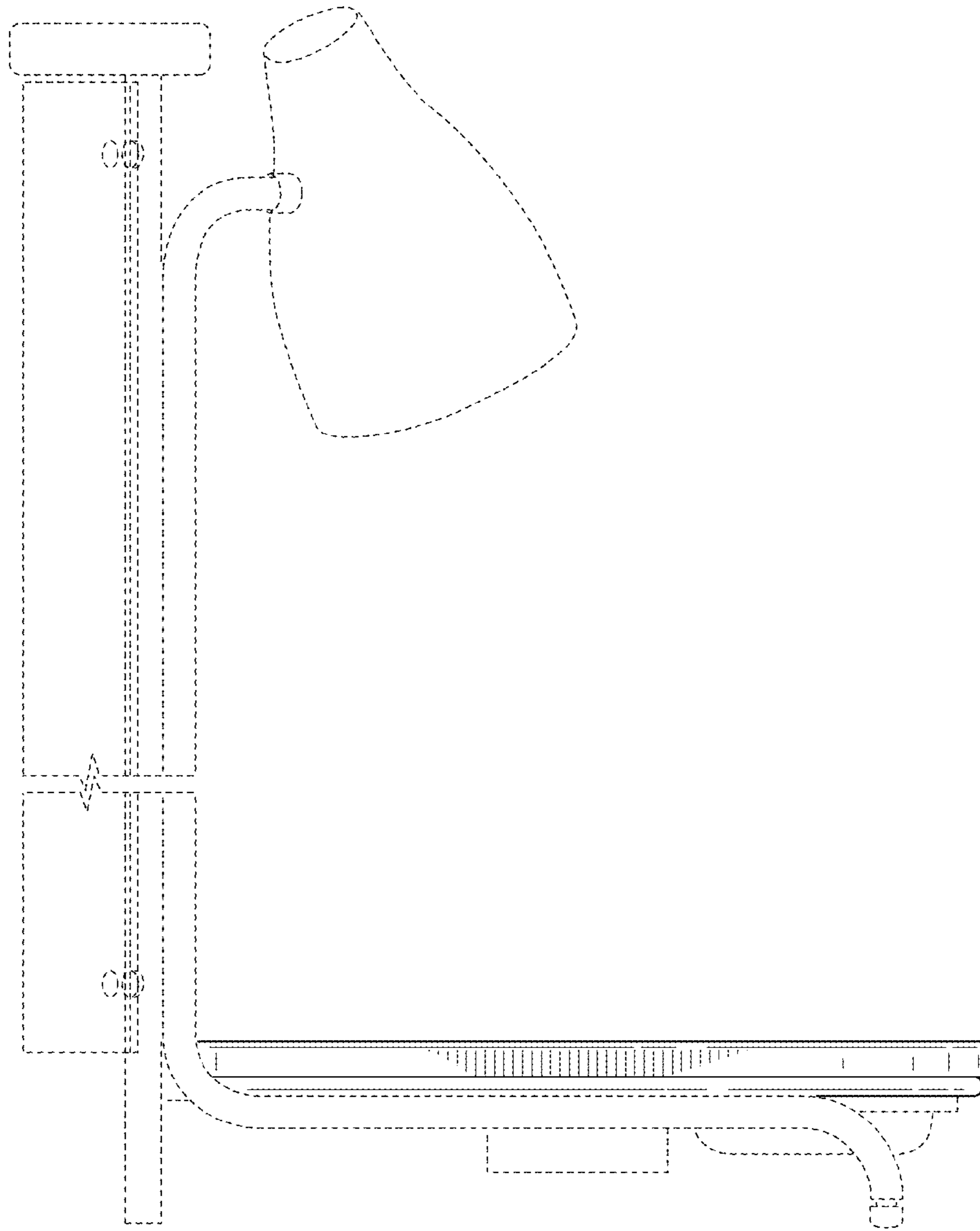


FIG. 6

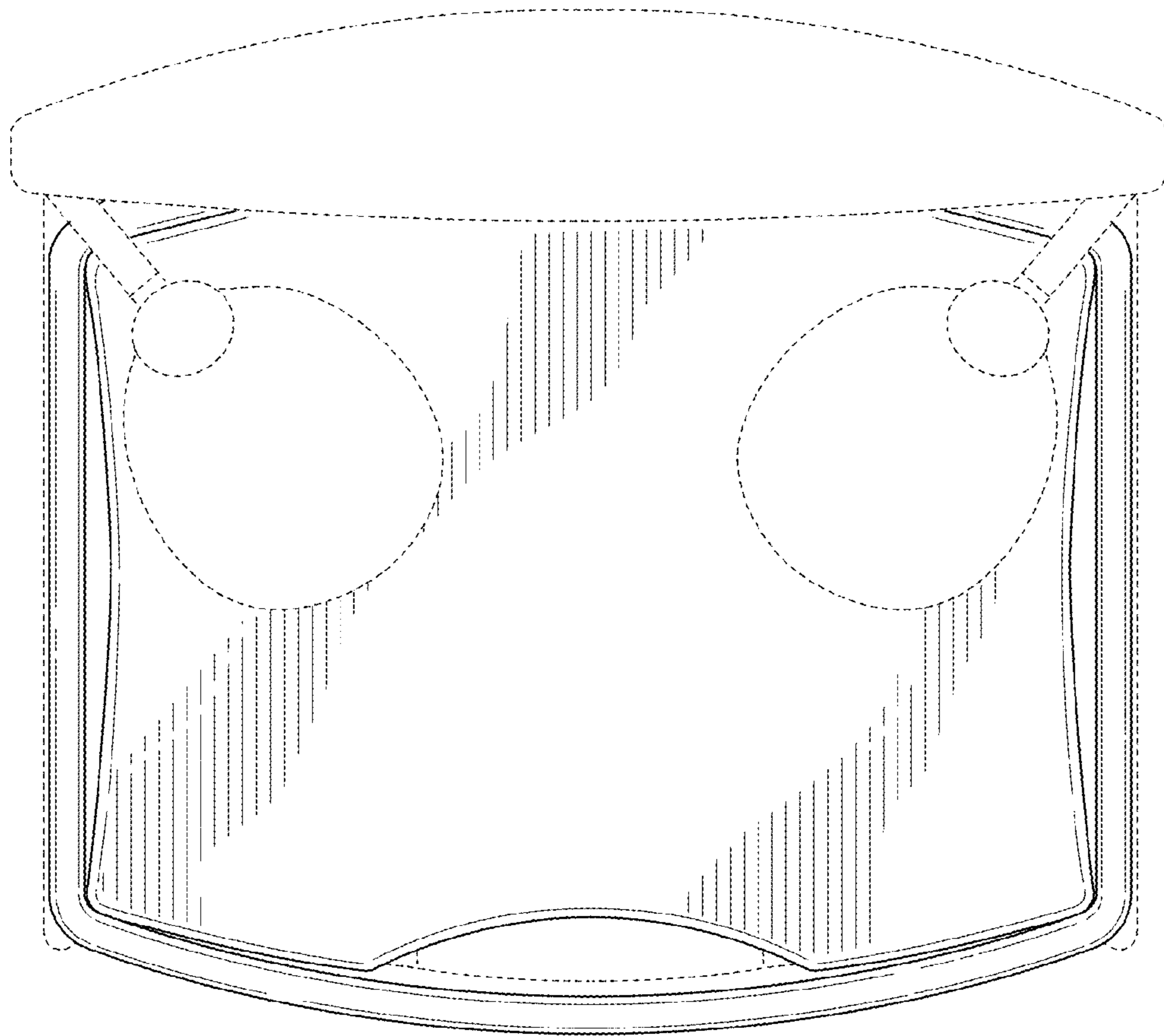


FIG. 7

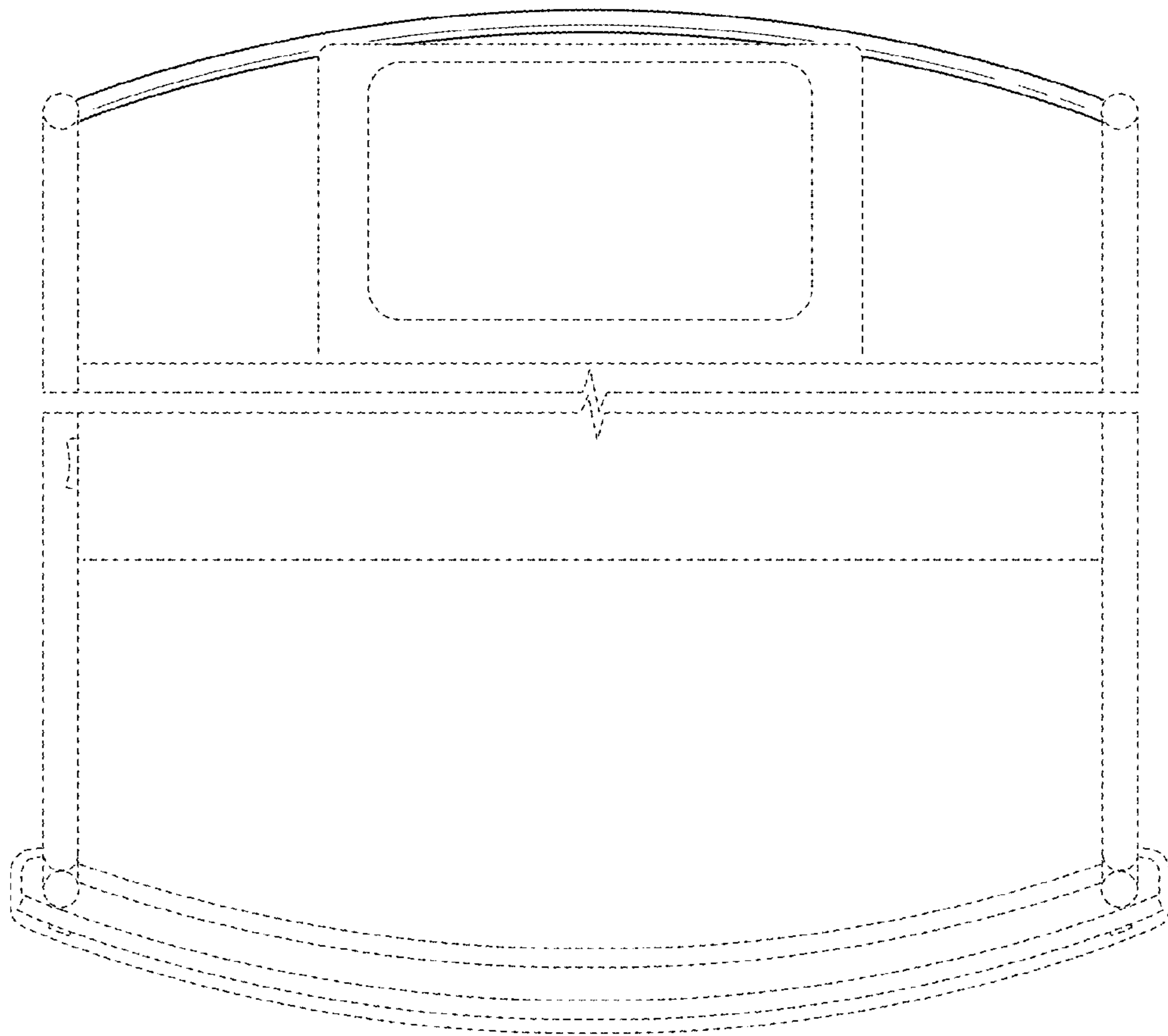


FIG. 8