



US00D741119S

(12) **United States Design Patent**
Wong

(10) **Patent No.:** **US D741,119 S**
(45) **Date of Patent:** **** Oct. 20, 2015**

(54) **JUICER**

(71) Applicant: **Yan Kwong Wong**, Hong Kong (HK)

(72) Inventor: **Yan Kwong Wong**, Hong Kong (HK)

(**) Term: **14 Years**

(21) Appl. No.: **29/461,490**

(22) Filed: **Jul. 23, 2013**

(51) **LOC (10) Cl.** **07-04**

(52) **U.S. Cl.**
USPC **D7/665**

(58) **Field of Classification Search**

USPC D7/368, 665-667, 412, 376-386, 372,
D7/373, 375, 374, 300, 304, 305, 309, 310,
D7/311, 312, 313; 241/92, 101.1-101.73,
241/285.1-285.3, 36, 37.5, 100, 282.1;
99/501-513, 495, 499, 348, 357, 349,
99/369, 370, 496-497, 279, 280, 284,
99/290; 366/98, 142, 197-211, 241-254,
366/279-292, 341-347, 64-67; 100/213,
100/218, 283, 288, 208; 416/75, 70 R, 76,
416/77

CPC A47J 19/02; A47J 19/027; A47J 19/00;
A47J 19/06; A47J 19/022; A47J 44/00;
A47J 44/02; A47J 43/00; A47J 43/25; A47J
43/046; A47J 43/0722; A47J 31/00; A47J
31/005; A47J 31/02; A47J 31/04; A23N 1/02;
A23N 1/00; A23N 1/003; A23N 1/006
See application file for complete search history.

(56) **References Cited**

U.S. PATENT DOCUMENTS

D176,546 S * 1/1956 Moore D7/374
2,867,420 A * 1/1959 Potts 366/146
D227,971 S * 7/1973 Weiss D7/665
D241,404 S * 9/1976 Mantelet D7/384
D251,407 S * 3/1979 Tsuji et al. D7/384
4,157,062 A * 6/1979 Ackeret 99/503

D253,083 S * 10/1979 Lam D7/665
D254,161 S * 2/1980 Verdun D7/384
4,371,118 A * 2/1983 Sontheimer et al. 241/30
D290,329 S * 6/1987 Bulto D7/665
D339,716 S * 9/1993 Barrault D7/383
D379,744 S * 6/1997 Thackray D7/665
D404,253 S * 1/1999 Littmann D7/412
D428,301 S * 7/2000 Huang D7/381
D437,188 S * 2/2001 Thackray D7/665
D450,545 S * 11/2001 Au D7/665
D473,108 S * 4/2003 De Visser D7/665
D485,474 S * 1/2004 Wong D7/665
D506,648 S * 6/2005 Mac William D7/665
D629,642 S * 12/2010 Miller D7/372
D644,478 S * 9/2011 Czach D7/372

(Continued)

OTHER PUBLICATIONS

Dual Juicer | Great American Fuller Brush, [online], retrieved on Feb. 18, 2015. Retrieved from, <URL: <http://gafullerbrush.com/kitchenware/dual-juicer/>>, 1 page.*

(Continued)

Primary Examiner — Ian Simmons
Assistant Examiner — Shannon Morgan

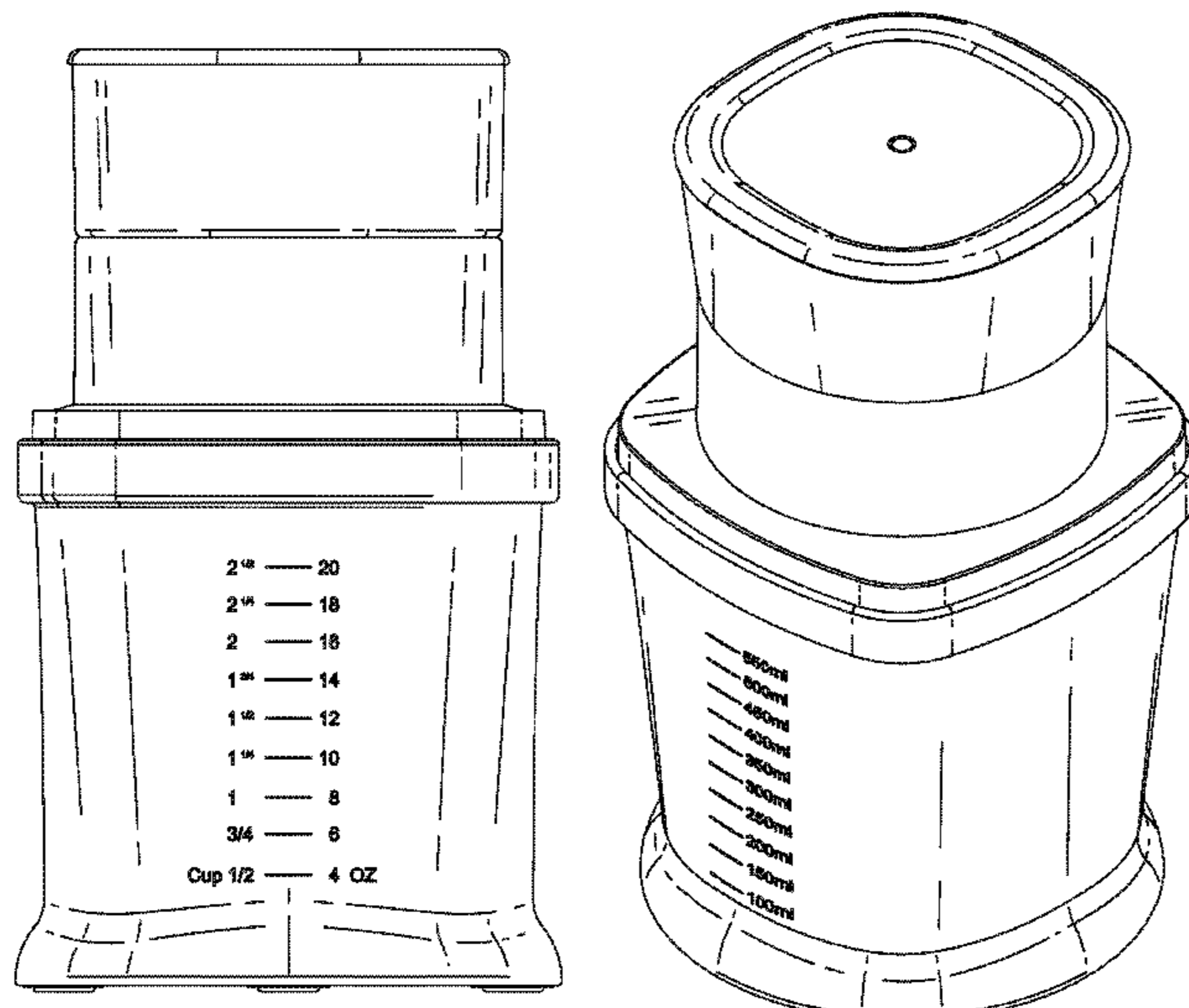
(57) **CLAIM**

The ornamental design for a juicer, as shown and described.

DESCRIPTION

FIG. 1 is a front elevational view of a juicer showing my new design;
FIG. 2 is a rear elevational view thereof;
FIG. 3 is a left side elevational view thereof;
FIG. 4 is a right side elevational view thereof;
FIG. 5 is a top plan view thereof;
FIG. 6 is a bottom plan view thereof; and,
FIG. 7 is a perspective view thereof.
The broken lines shown in FIG. 6 represent portions of the juicer that form no part of the claimed design.

1 Claim, 7 Drawing Sheets



(56)

References Cited

U.S. PATENT DOCUMENTS

8,146,490 B2 * 4/2012 Obersteiner et al. 99/510
D663,588 S * 7/2012 Nordwall D7/412
8,511,225 B2 * 8/2013 Rivera 99/501
D719,779 S * 12/2014 Vu et al. D7/384
2004/0187710 A1 * 9/2004 Areh et al. 99/501
2007/0272091 A1 * 11/2007 Hsien 99/501
2012/0291638 A1 * 11/2012 Kim 99/501
2013/0068116 A1 * 3/2013 Fister et al. 99/503

2014/0134304 A1 * 5/2014 Picozza et al. 426/231
2014/0203127 A1 * 7/2014 Merl 241/100
2014/0227416 A1 * 8/2014 Chitayat et al. 426/489
2015/0010682 A1 * 1/2015 Sotoohi 426/489

OTHER PUBLICATIONS

Konstar channel Dual Juicer, [online], video published on Jan. 2, 2013, retrieved on Feb. 18, 2015. Retrieved from, <URL: <https://www.youtube.com/watch?v=dP39LknBPWO>>, 7 pages.*

* cited by examiner

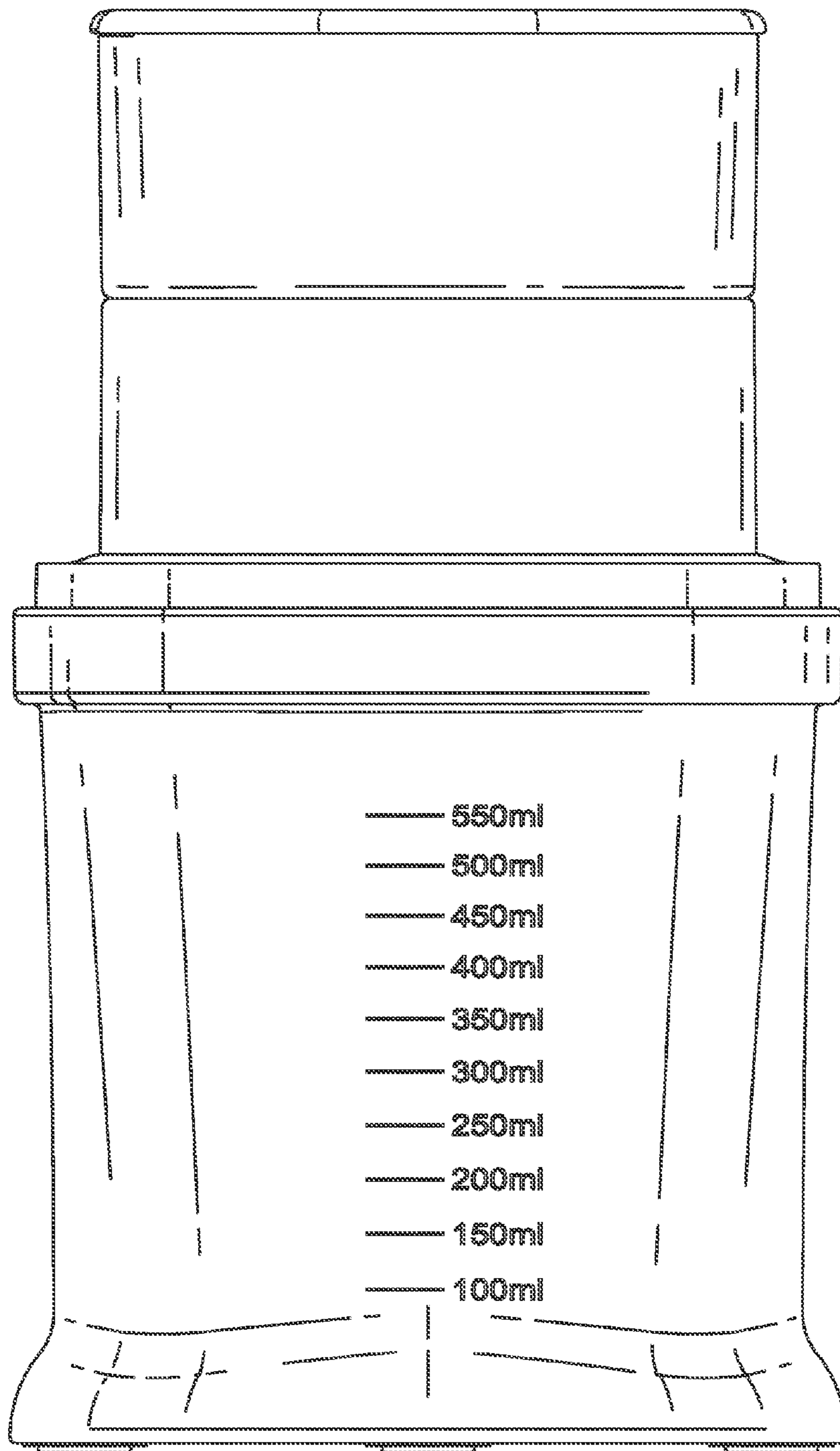


Fig. 1

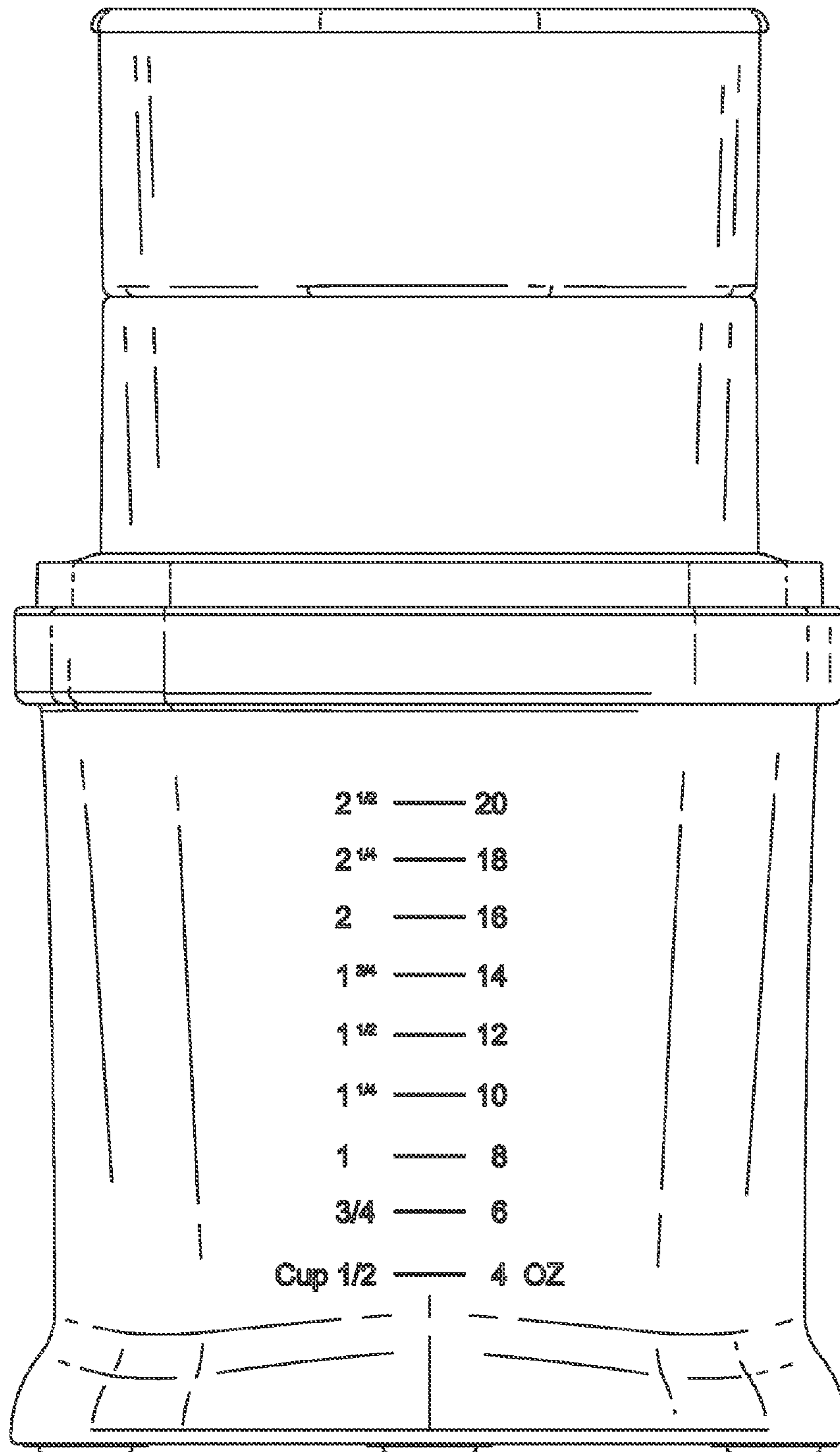


Fig. 2

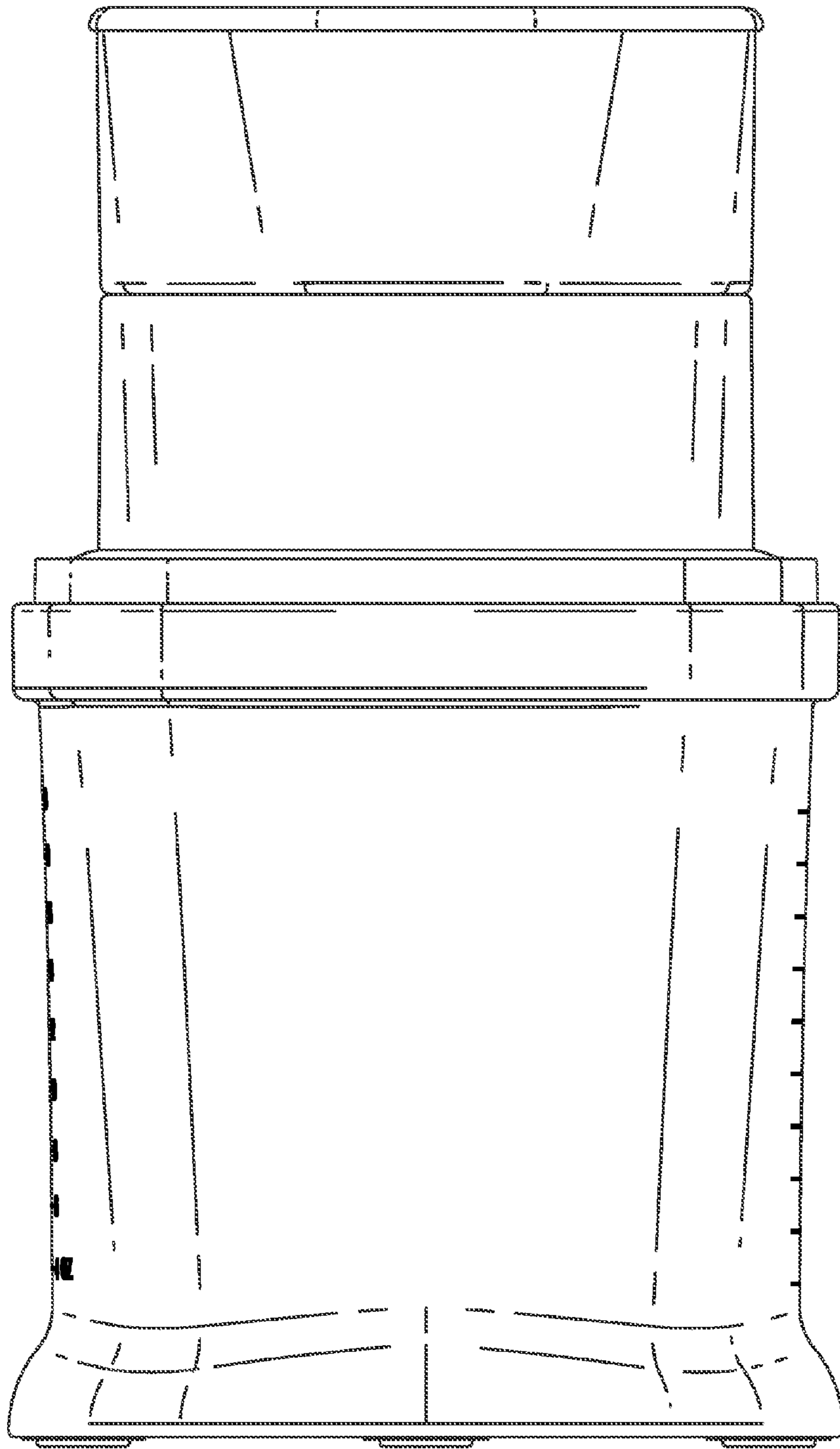


Fig. 3

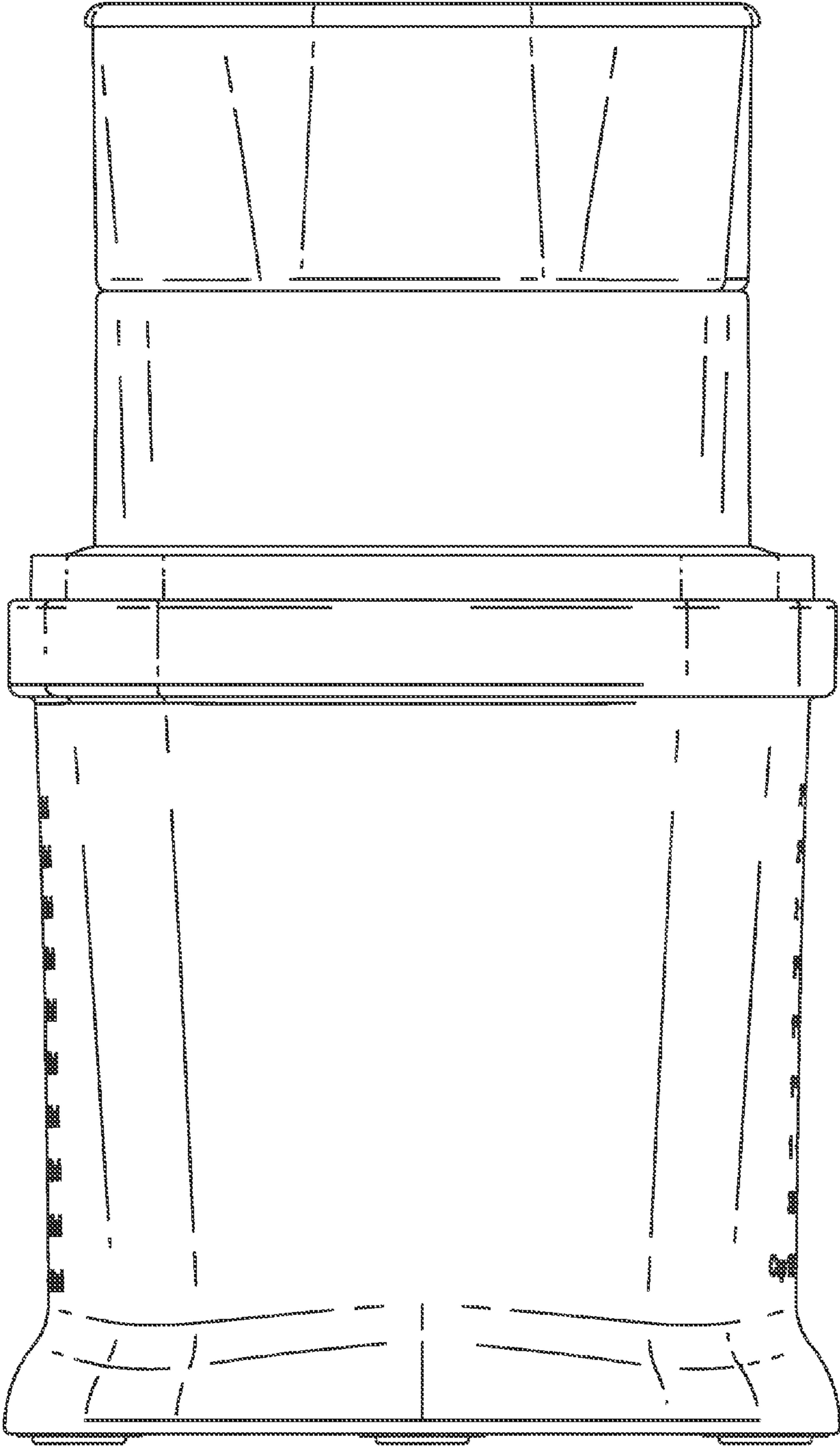


Fig. 4

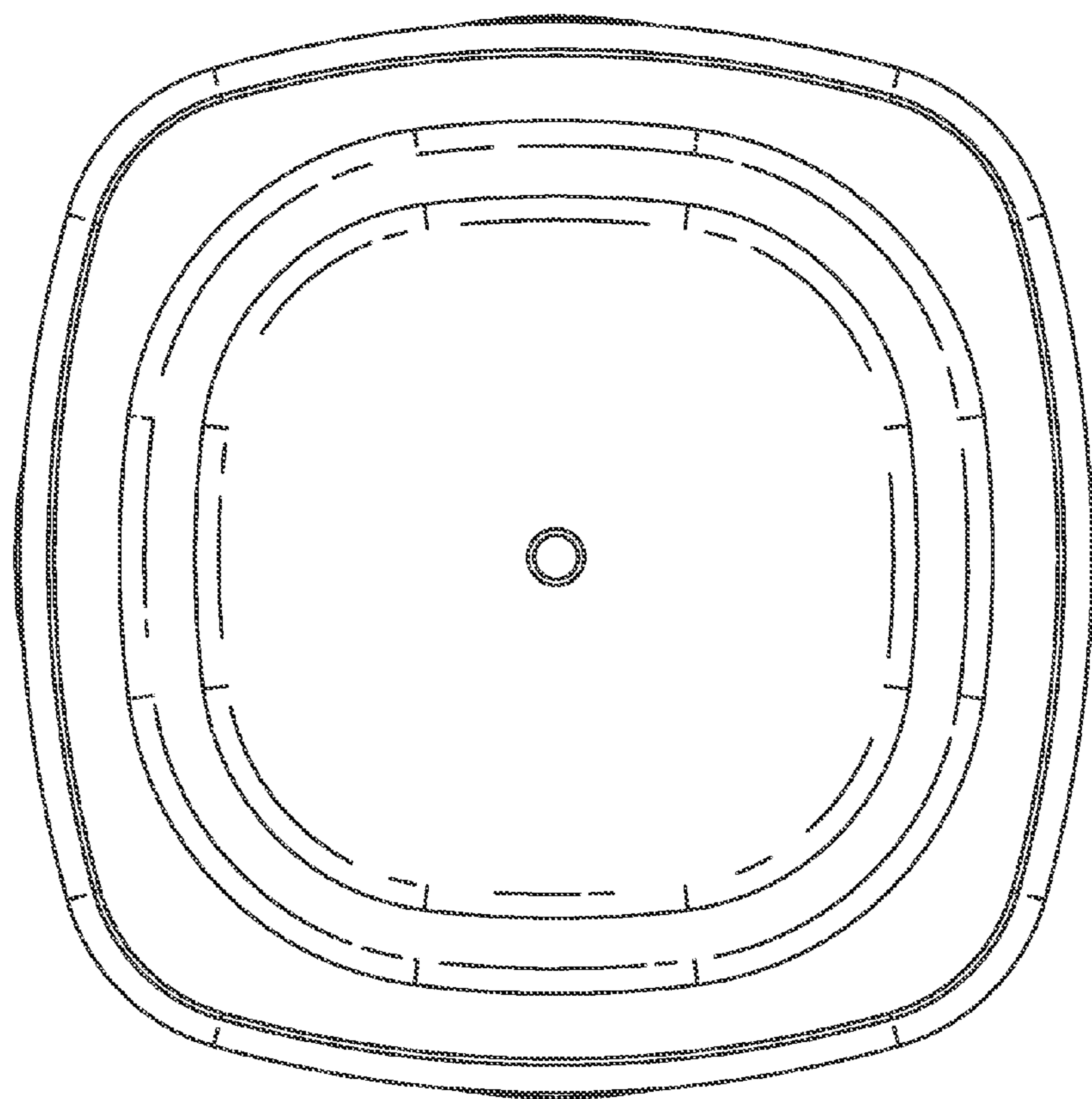


Fig. 5

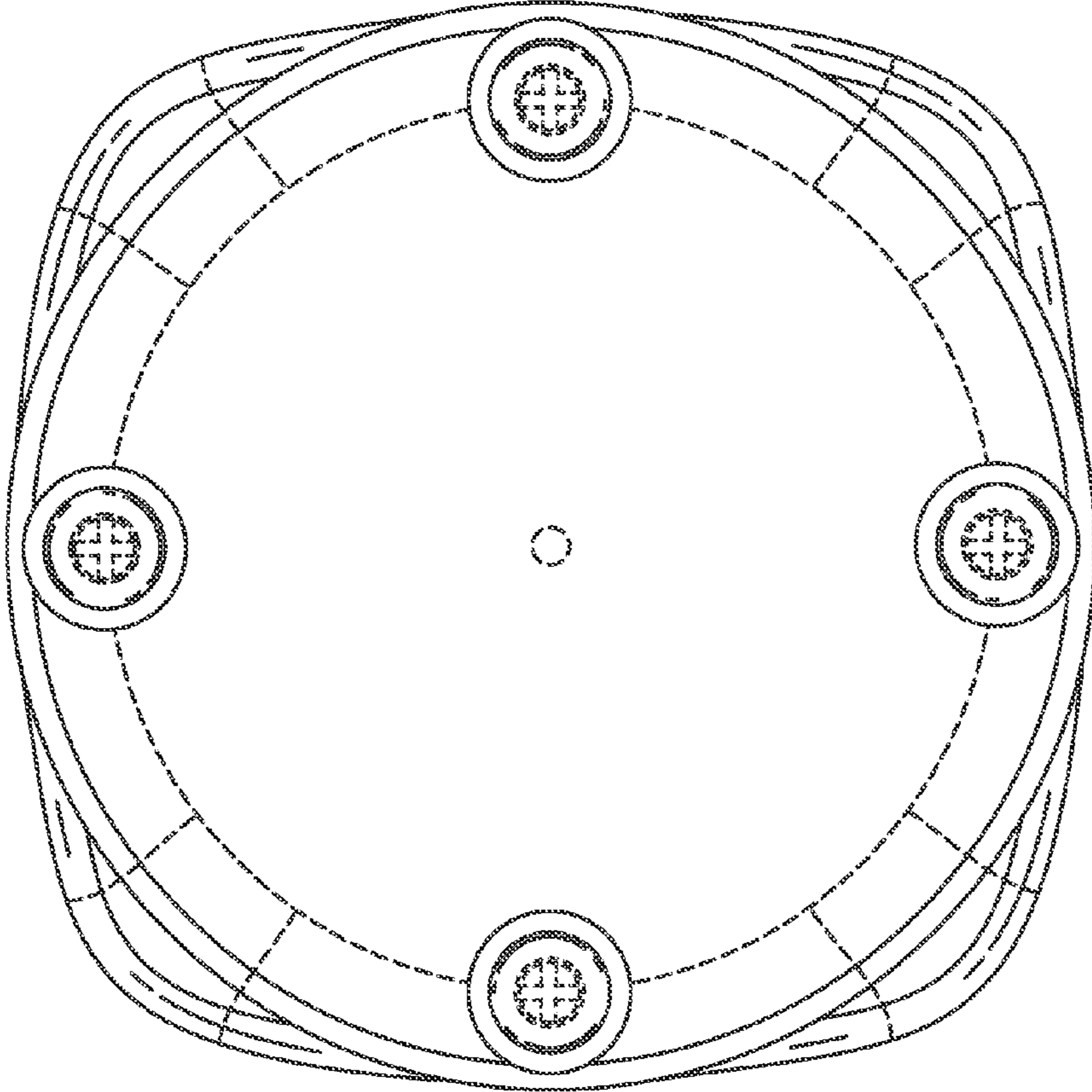


Fig. 6

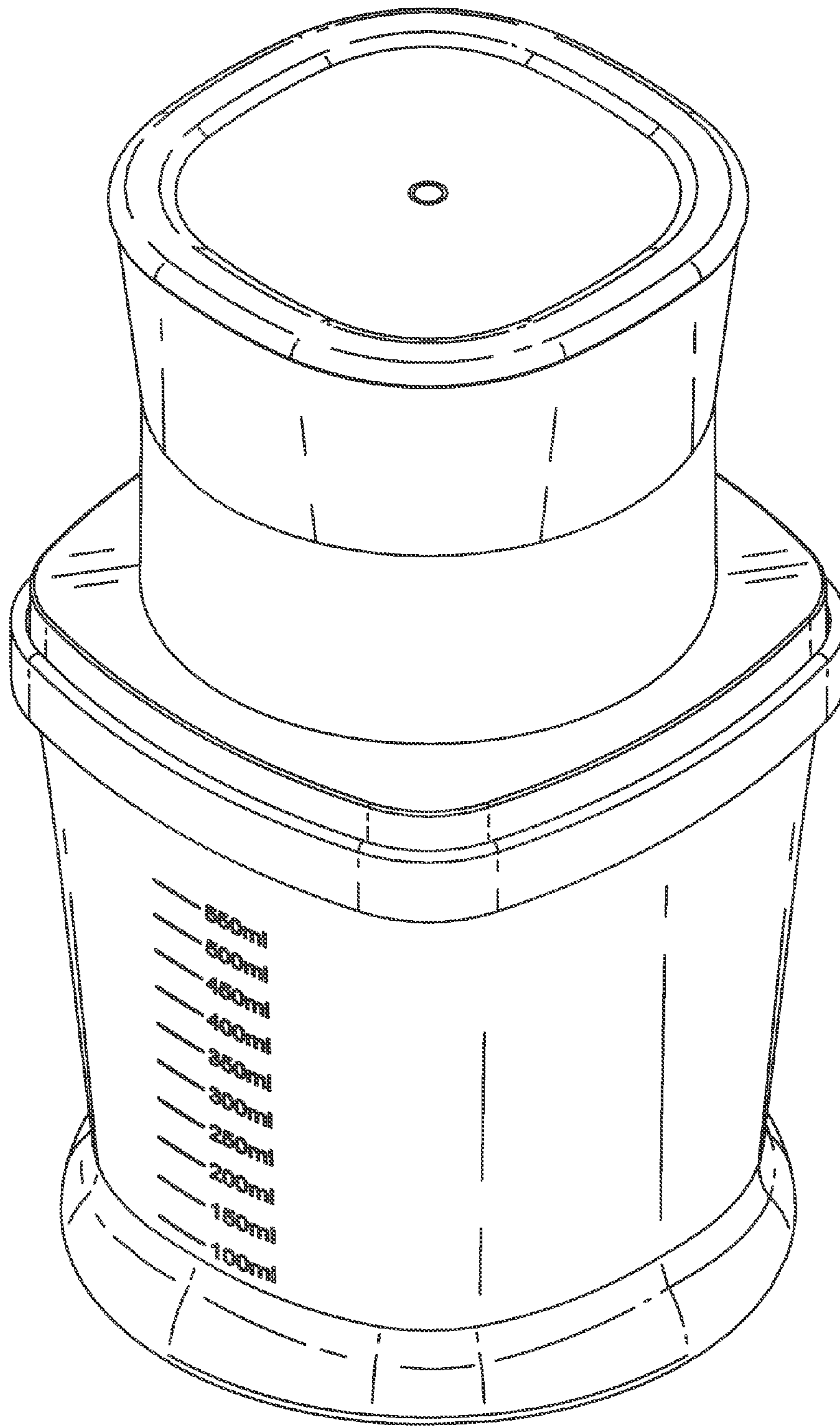


Fig. 7