



US00D741118S

(12) **United States Design Patent**
Mundhra

(10) **Patent No.:** **US D741,118 S**

(45) **Date of Patent:** **** Oct. 20, 2015**

- (54) **UTENSIL**
- (71) Applicant: **Siya, Inc.**, Santa Fe Springs, CA (US)
- (72) Inventor: **Sudhir Mundhra**, Cerritos, CA (US)
- (73) Assignee: **SIYA, INC.**, Santa Fe Springs, CA (US)
- (**) Term: **15 Years**
- (21) Appl. No.: **29/534,096**
- (22) Filed: **Jul. 24, 2015**
- (51) **LOC (10) Cl.** **07-03**
- (52) **U.S. Cl.**
USPC **D7/653**; D7/643
- (58) **Field of Classification Search**
USPC D7/368, 401.2, 642–645, 653–664, 669,
D7/675–677, 683, 686–689, 691; D8/13,
D8/18, 107, 300–301; D22/117–118
CPC A01D 9/02; A01D 9/04; A01D 9/06;
A47G 21/00; A47G 21/004; A47G 21/005;
A47G 21/02; A47G 21/023; A47G 21/04;
A47G 21/06; A47G 21/08; A47J 43/28;
A47J 43/281; A47J 43/282; A61F 13/10;
A61J 7/0023; B25G 1/00; B25G 1/01; B25G
1/02; B25G 3/00; B65D 75/56; B65D 75/563;
B65D 75/566; B67B 7/00; B67B 7/38; B67B
7/724; B67B 7/73
See application file for complete search history.

- 2,318,129 A * 5/1943 Torode A47G 1/06
30/147
- D187,937 S * 5/1960 Polk D7/686
- D249,926 S * 10/1978 Wong D7/644
- D269,060 S * 5/1983 Creamer D7/644
- D342,422 S * 12/1993 Sanford D7/643
- D414,988 S * 10/1999 Santini 30/150
- D551,520 S 9/2007 Everett et al.
- D575,593 S * 8/2008 Svartstrom D7/644
- D608,602 S 1/2010 Davies et al.
- D684,434 S * 6/2013 Harris D7/401.2
- D722,837 S 2/2015 Miksovsky et al.
- D734,208 S 7/2015 Matos
- 2011/0146082 A1 6/2011 Hassanpour et al.

* cited by examiner

Primary Examiner — Ricky Pham

(74) *Attorney, Agent, or Firm* — Cislo & Thomas, LLP

(57) **CLAIM**

The ornamental design for a utensil, as shown and described herein.

DESCRIPTION

FIG. 1. is a perspective view of my utensil;
 FIG. 2. is a front view thereof;
 FIG. 3. is a rear view thereof;
 FIG. 4. is a left side view thereof;
 FIG. 5. is a right side view thereof;
 FIG. 6. is a top view thereof; and,
 FIG. 7. is a bottom view thereof.

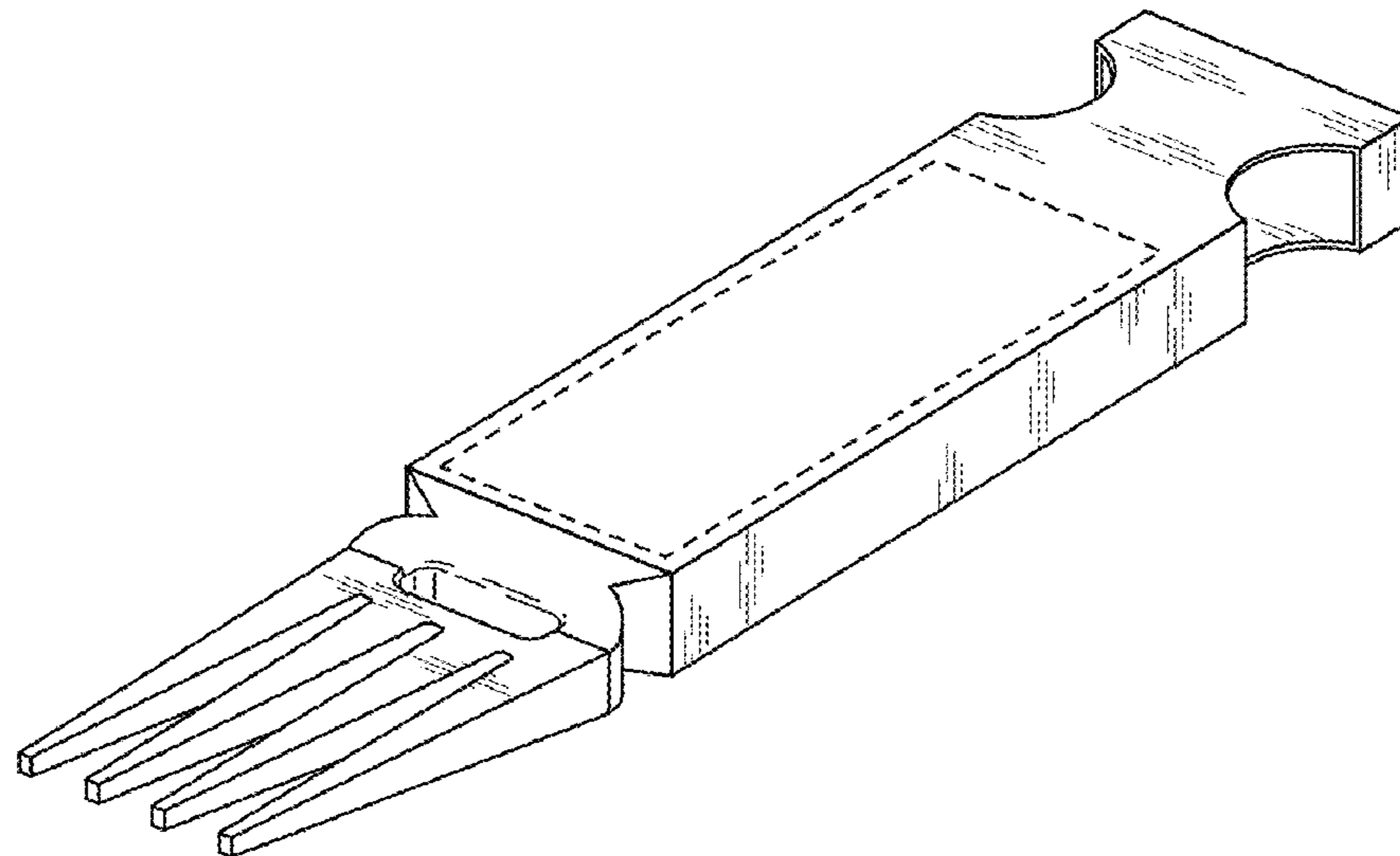
Any broken lines in the drawings show environment that forms no part of the claimed design. Applicant makes no claim as to color with regards to the present invention.

1 Claim, 1 Drawing Sheet

(56) **References Cited**

U.S. PATENT DOCUMENTS

- 32,916 A * 7/1861 Richards A47G 21/06
30/147
- 849,098 A * 4/1907 Aufrichtig B67B 7/38
30/147
- D50,119 S * 1/1917 Besselo D8/18



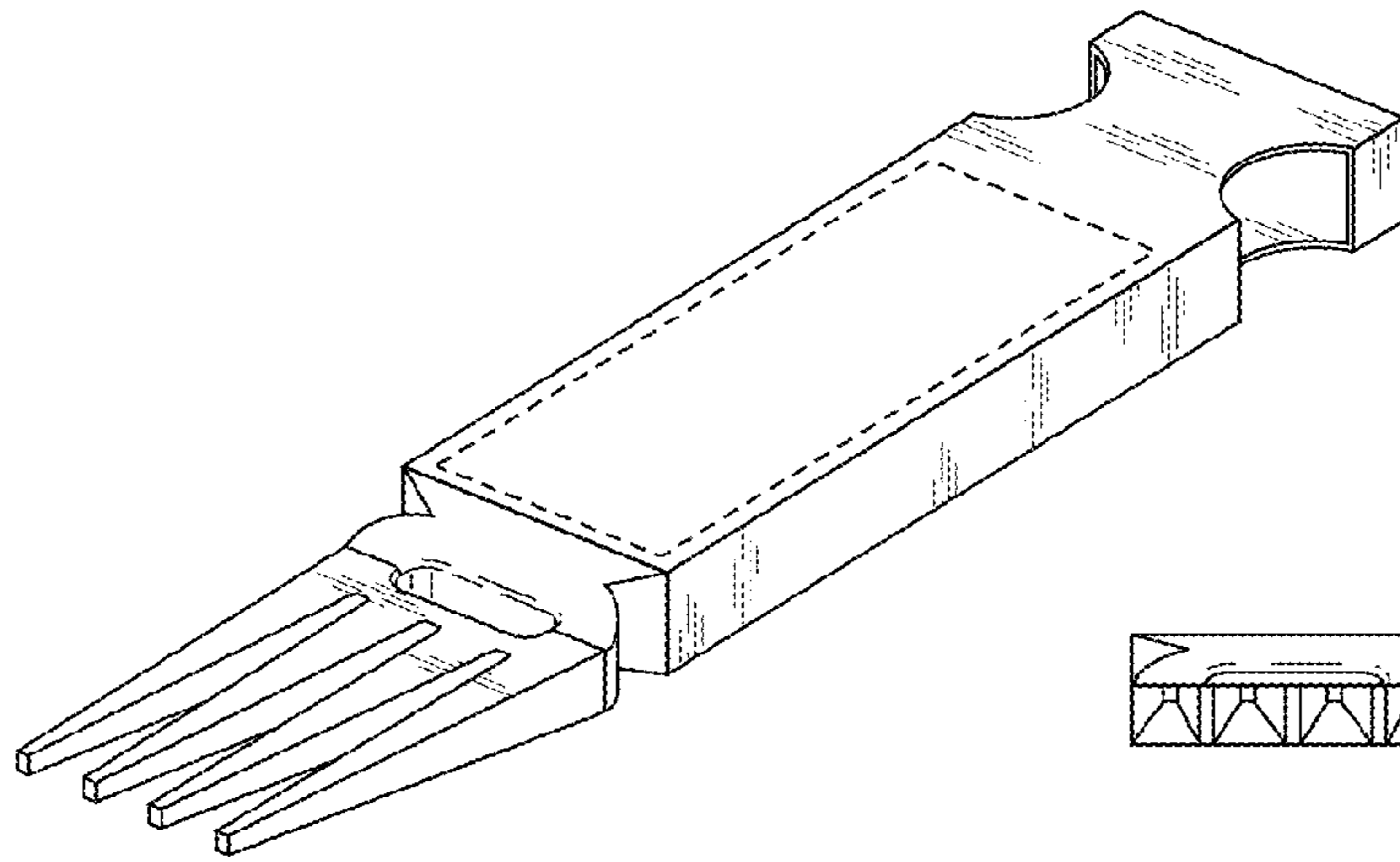


Fig. 1

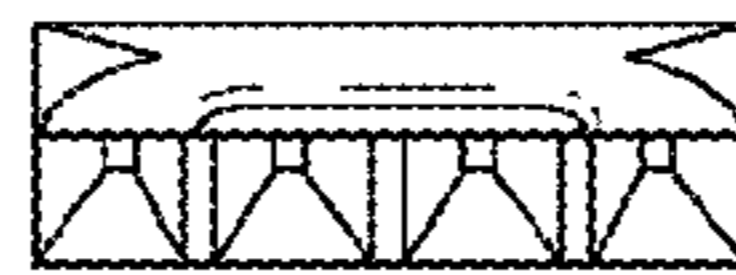


Fig. 2



Fig. 3

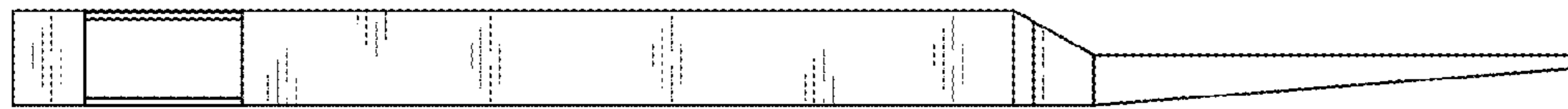


Fig. 4



Fig. 5

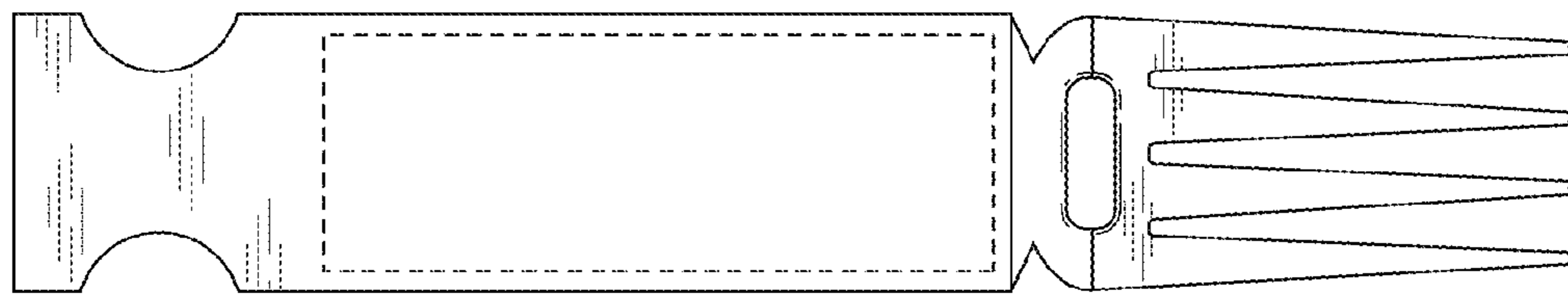


Fig. 6

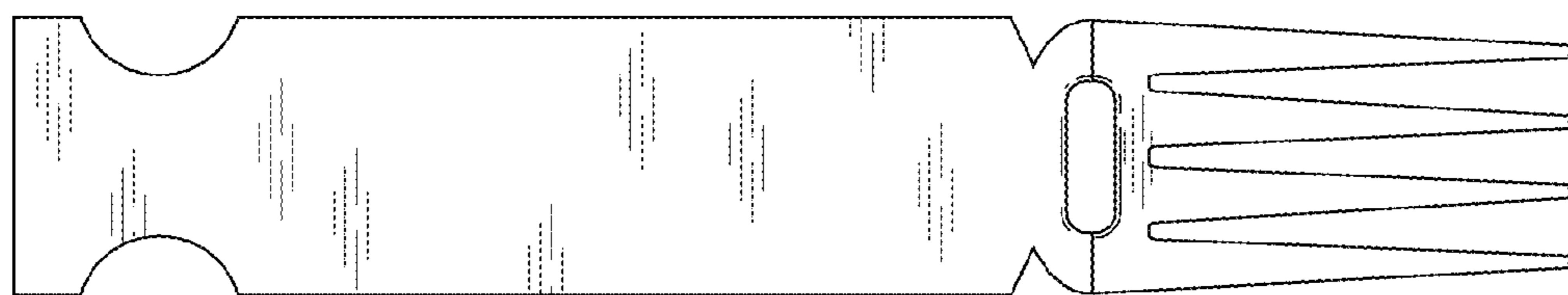


Fig. 7