



US00D741116S

(12) **United States Design Patent**  
**Mundhra**

(10) **Patent No.:** **US D741,116 S**

(45) **Date of Patent:** **\*\* Oct. 20, 2015**

(54) **UTENSIL**

(71) Applicant: **Siya, Inc.**, Santa Fe Springs, CA (US)

(72) Inventor: **Sudhir Mundhra**, Cerritos, CA (US)

(73) Assignee: **SIYA, INC**, Santa Fe Springs, CA (US)

(\*\*) Term: **15 Years**

(21) Appl. No.: **29/534,095**

(22) Filed: **Jul. 24, 2015**

(51) **LOC (10) Cl.** ..... **07-03**

(52) **U.S. Cl.**

USPC ..... **D7/643; D7/645; D7/653**

(58) **Field of Classification Search**

USPC ..... D7/368, 401.2, 642-645, 650-664, 669,  
D7/675-677, 683, 688-689, 691; D8/10,  
D8/107, 300-301; D22/117-118

CPC ..... A01D 9/02; A01D 9/04; A01D 9/06;  
A47G 21/00; A47G 21/004; A47G 21/005;  
A47G 21/02; A47G 21/023; A47G 21/04;  
A47G 21/06; A47G 21/08; A47J 43/28;  
A47J 43/281; A47J 43/282; A61F 13/10;  
A61J 7/0023; B25G 1/00; B25G 1/01; B25G  
1/02; B25G 3/00; B26B 11/00; B65D 75/56;  
B65D 75/563; B65D 75/566; B67B 7/00;  
B67B 7/724; B67B 7/73

See application file for complete search history.

(56) **References Cited**

**U.S. PATENT DOCUMENTS**

1,229,696 A \* 6/1917 Woods ..... 30/143  
1,288,617 A \* 12/1918 Kupiszewski ..... 30/324

D53,165 S \* 4/1919 Janosik ..... D7/644  
1,451,542 A \* 4/1923 Ftyklo ..... 7/168  
1,452,337 A \* 4/1923 Brecel ..... 206/349  
2,109,016 A 2/1938 Ringer  
2,456,858 A \* 12/1948 Bolling ..... 30/143  
D295,942 S \* 5/1988 Featherman et al. .... D8/10  
D401,481 S \* 11/1998 Boilard et al. .... D7/643  
D466,764 S 12/2002 Haythornthwaite et al.  
D570,163 S \* 6/2008 Jimenez et al. .... D7/653  
D608,602 S 1/2010 Davies et al.  
D693,185 S \* 11/2013 Evans et al. .... D7/650  
D693,188 S \* 11/2013 Smith et al. .... D7/669  
D709,741 S \* 7/2014 Barber ..... D7/691  
D732,352 S 6/2015 Ebli  
9,061,429 B2 6/2015 Barber  
D734,208 S 7/2015 Matos  
2014/0220200 A1 \* 8/2014 Di Guglielmo ..... 426/302

\* cited by examiner

*Primary Examiner* — Ricky Pham

(74) *Attorney, Agent, or Firm* — Cislo & Thomas, LLP

(57) **CLAIM**

The ornamental design for a utensil, as shown and described herein.

**DESCRIPTION**

FIG. 1. Is a perspective view of my utensil;

FIG. 2. Is a front view thereof;

FIG. 3. Is a rear view thereof;

FIG. 4. is a left side view thereof;

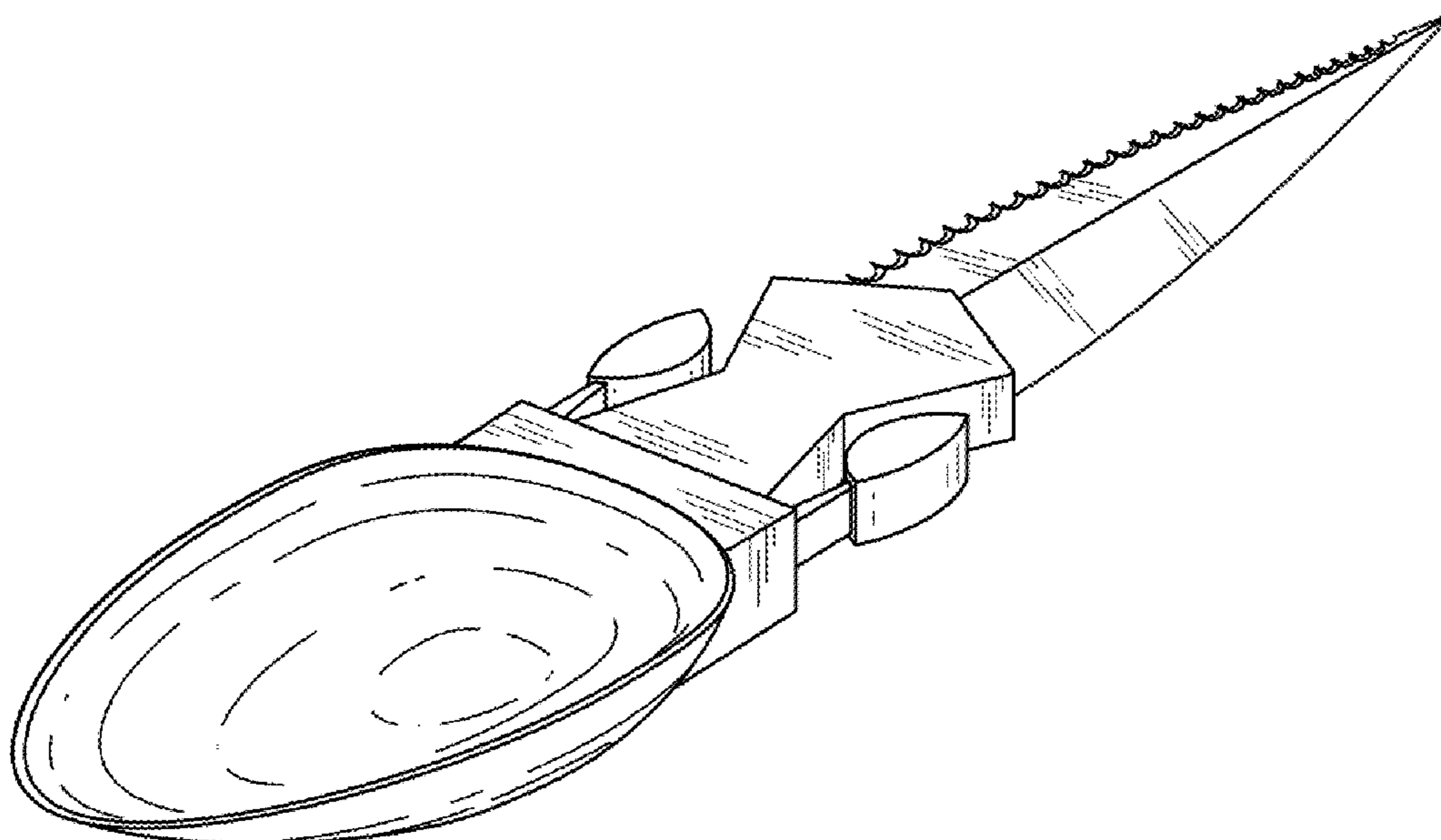
FIG. 5. Is a right side view thereof;

FIG. 6. Is a top view thereof; and,

FIG. 7. Is a bottom view thereof.

Applicant makes no claim as to color with regards to the present invention.

**1 Claim, 1 Drawing Sheet**



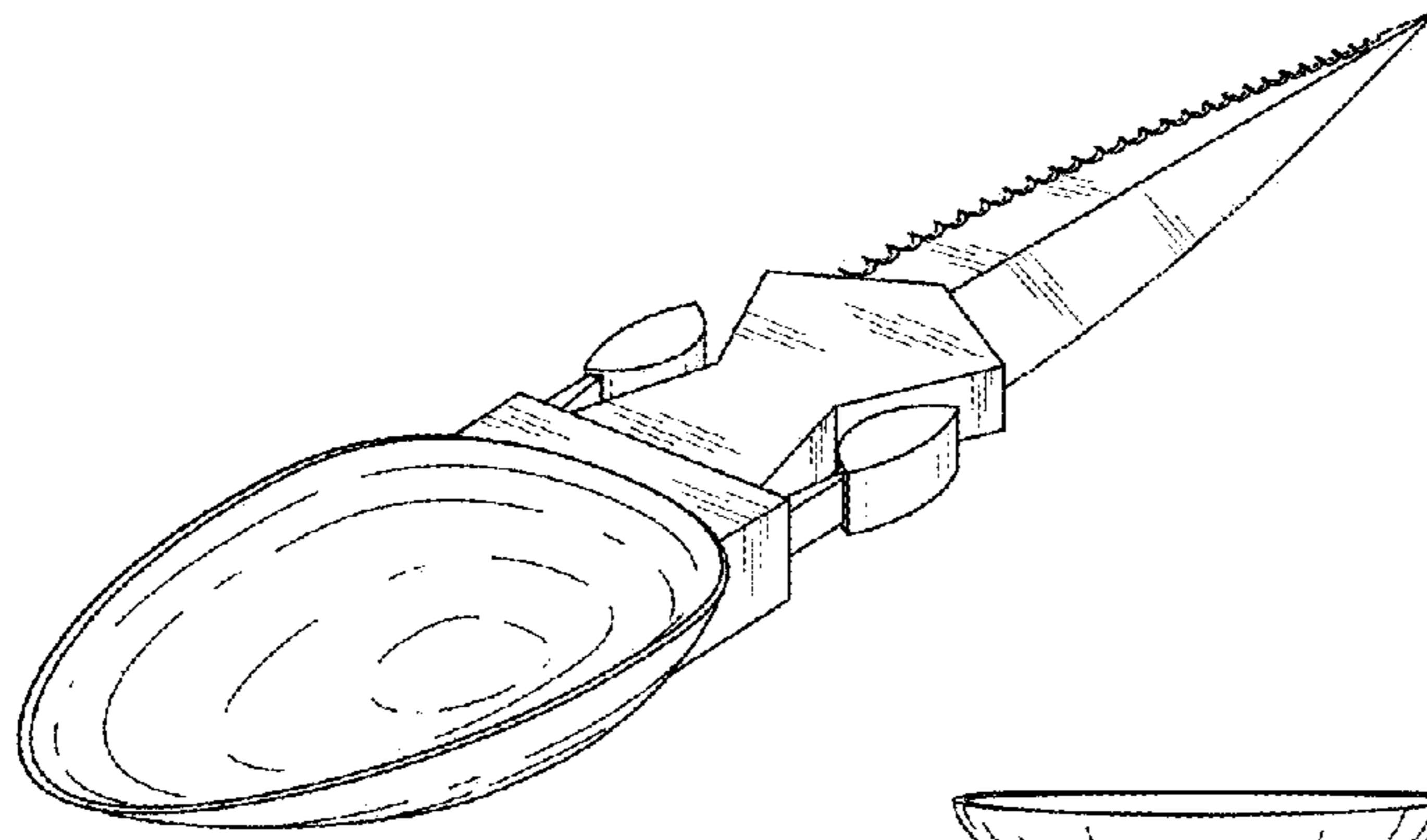


Fig. 1

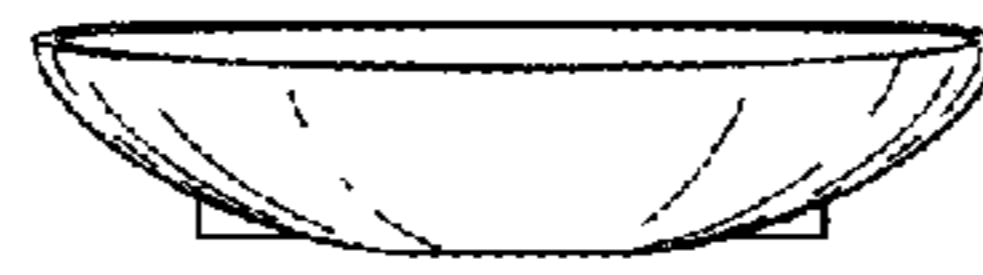


Fig. 2

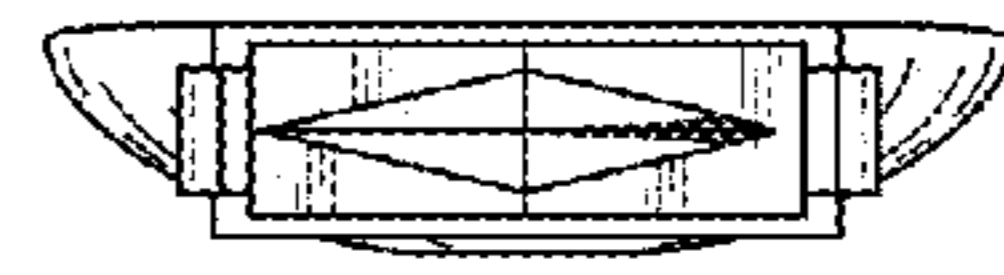


Fig. 3

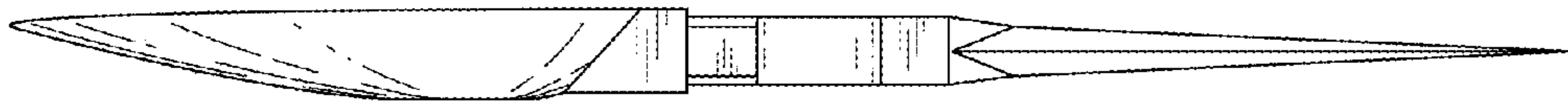


Fig. 4

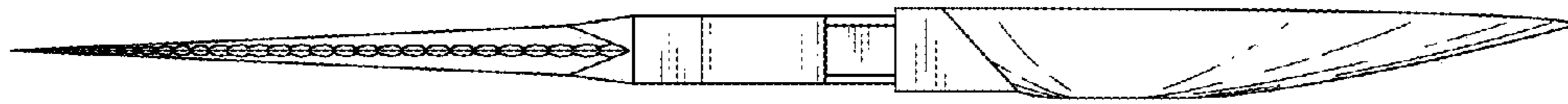


Fig. 5

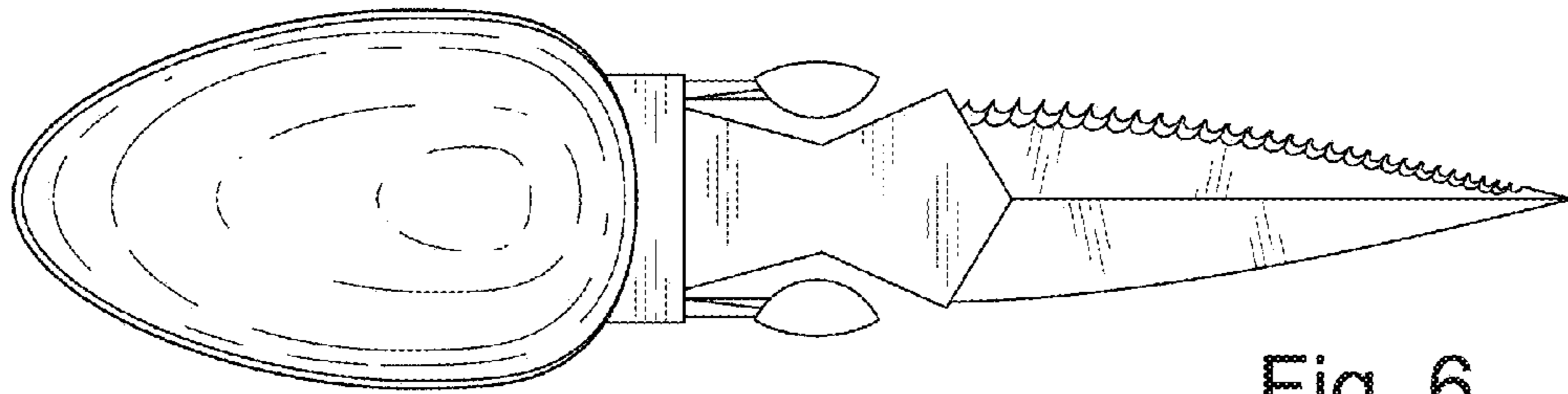


Fig. 6

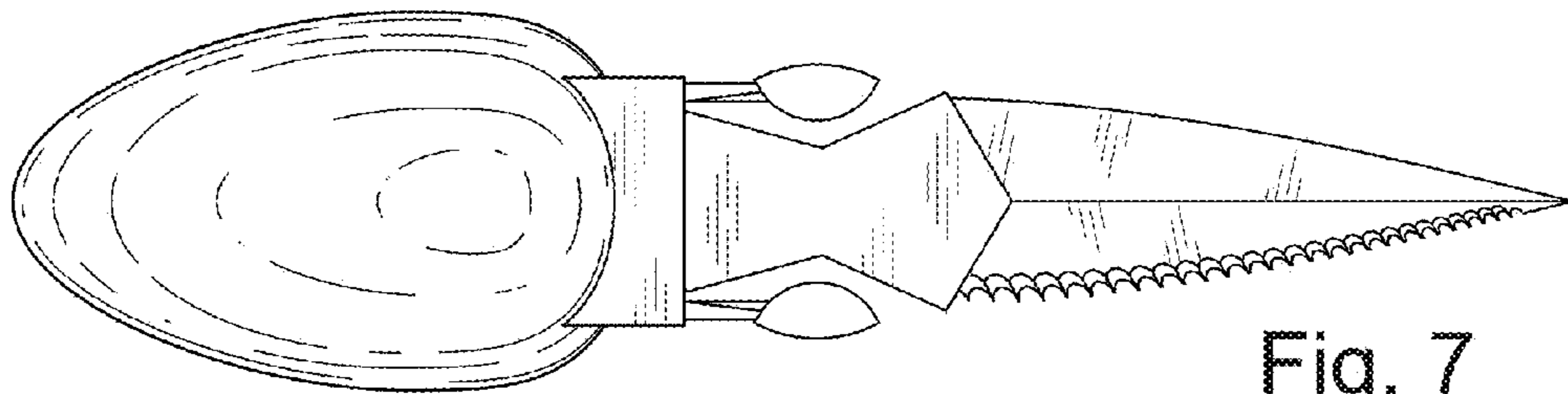


Fig. 7