



US00D741115S

(12) **United States Design Patent**
Lane et al.

(10) **Patent No.:** **US D741,115 S**

(45) **Date of Patent:** **** Oct. 20, 2015**

(54) **DUAL CHAMBER FOOD JAR**

(74) *Attorney, Agent, or Firm* — Polsinelli PC

(71) Applicants: **Marvin Lane**, Wheeling, IL (US);
Dwayne Boroski, Lake in the Hills, IL (US)

(57) **CLAIM**
The ornamental design for a dual chamber food jar, as shown and described.

(72) Inventors: **Marvin Lane**, Wheeling, IL (US);
Dwayne Boroski, Lake in the Hills, IL (US)

DESCRIPTION

(73) Assignee: **THERMOS L.L.C.**, Schaumburg, IL (US)

FIG. 1 is a perspective view of the dual chamber food jar;
FIG. 2 is a right side view of the dual chamber food jar;
FIG. 3 is a left side view of the dual chamber food jar;
FIG. 4 is a front view of the dual chamber food jar;
FIG. 5 is a rear view of the dual chamber food jar;
FIG. 6 is a top view of the dual chamber food jar;
FIG. 7 is a bottom view of the dual chamber food jar;
FIG. 8 is a front view of the dual chamber food jar in a partially opened position;

(**) Term: **14 Years**

(21) Appl. No.: **29/486,794**

FIG. 9 is a perspective view of the dual chamber food jar in an opened position;

(22) Filed: **Apr. 2, 2014**

FIG. 10 is a right side view of the dual chamber food jar in the opened position;

(51) **LOC (10) Cl.** **07-01**

FIG. 11 is a left side view of the dual chamber food jar in the opened position;

(52) **U.S. Cl.**

USPC **D7/630**; D7/608

FIG. 12 is a front view of the dual chamber food jar in the opened position;

(58) **Field of Classification Search**

USPC D7/629, 630, 602, 605–608, 612–615,
D7/709; 62/457.1–457.9, 371, 372, 460,
62/463; 215/12.1, 12.2, 13.1, 6, 10;
220/4.23–4.25, 236, 326, 592.2, 761,
220/593.16, 592.17, 592.22, 592.23,
220/592.27, 902, 903

FIG. 13 is a rear view of the dual chamber food jar in the opened position;

CPC A45C 11/20; B65D 81/3823; B65D
81/3818; B65D 42/02; B65D 43/0225; B65D
43/0229; B65D 43/031; A47J 41/0077

FIG. 14 is a top view of the dual chamber food jar in the opened position;

See application file for complete search history.

FIG. 15 is a bottom view of the dual chamber food jar in the opened position;

(56) **References Cited**

U.S. PATENT DOCUMENTS

1,390,784	A *	9/1921	Herrington	220/4.24
2,328,543	A *	9/1943	Bauman	206/499
D272,223	S *	1/1984	Daenen	D7/629
4,537,044	A *	8/1985	Putnam	62/371
2014/0091097	A1 *	4/2014	Lane	220/592.2

FIG. 16 is a perspective view of a second embodiment of a dual chamber food jar;

FIG. 17 is a right side view of the second embodiment of the dual chamber food jar;

FIG. 18 is a left side view of the second embodiment of the dual chamber food jar;

FIG. 19 is a front view of the second embodiment of the dual chamber food jar;

FIG. 20 is a rear view of the second embodiment of the dual chamber food jar;

FIG. 21 is a top view of the second embodiment of the dual chamber food jar; and,

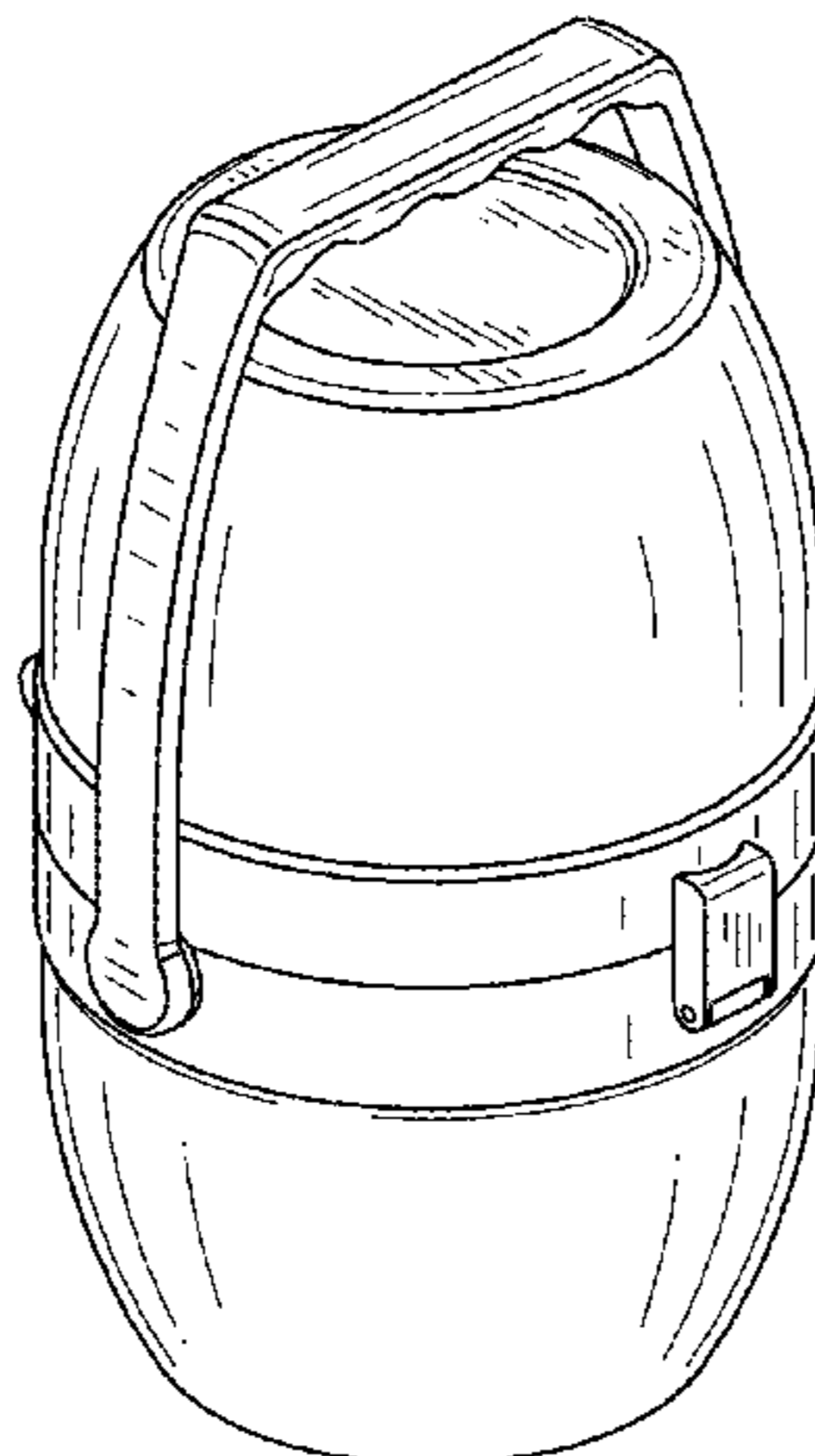
FIG. 22 is a bottom view of the second embodiment of the dual chamber food jar.

The broken lines showing in the figures are included for the purpose of illustrating portions of the dual chamber food jar that form no part of the claimed design.

* cited by examiner

Primary Examiner — Terry Wallace

1 Claim, 14 Drawing Sheets



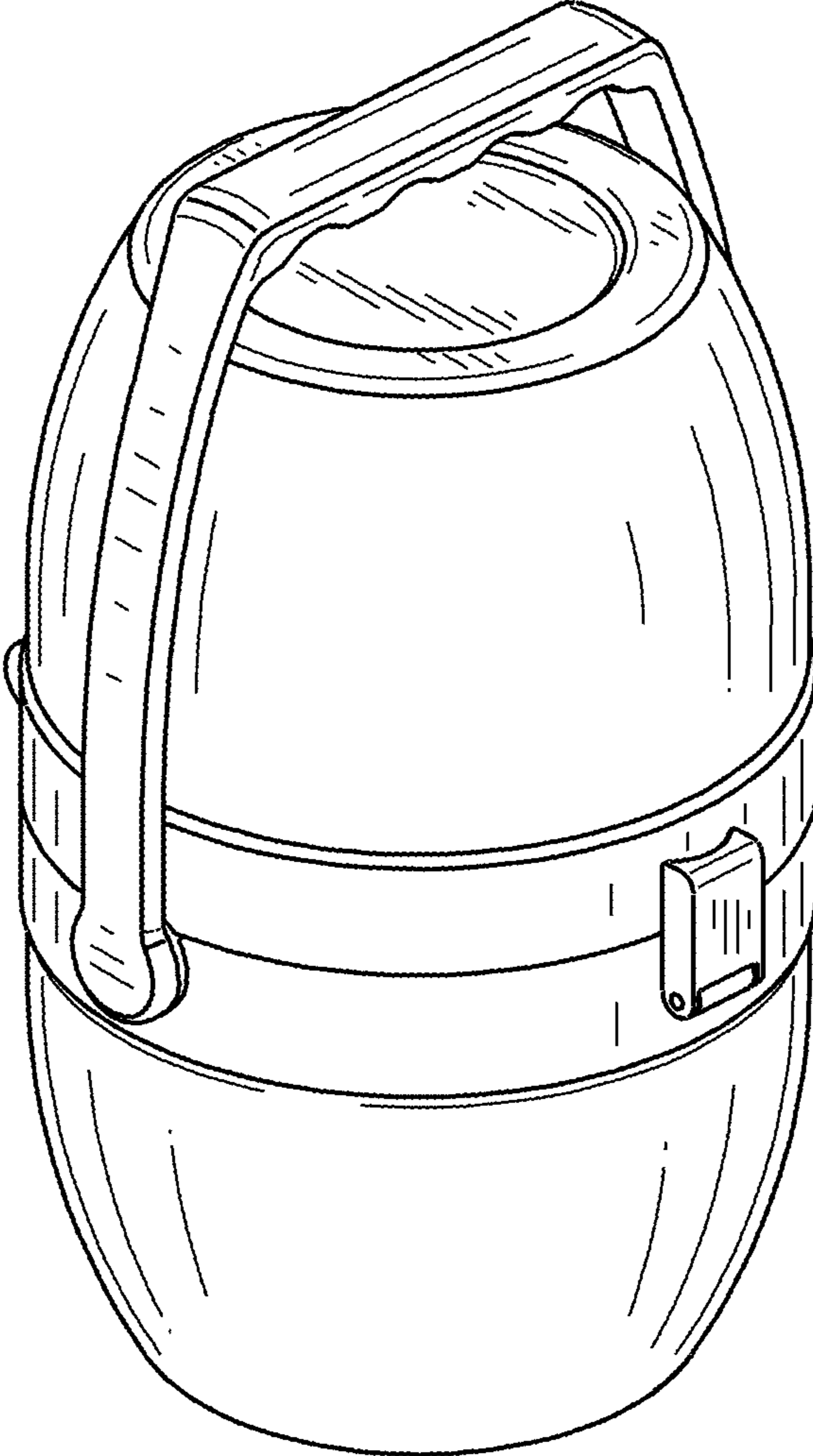


FIG. 1

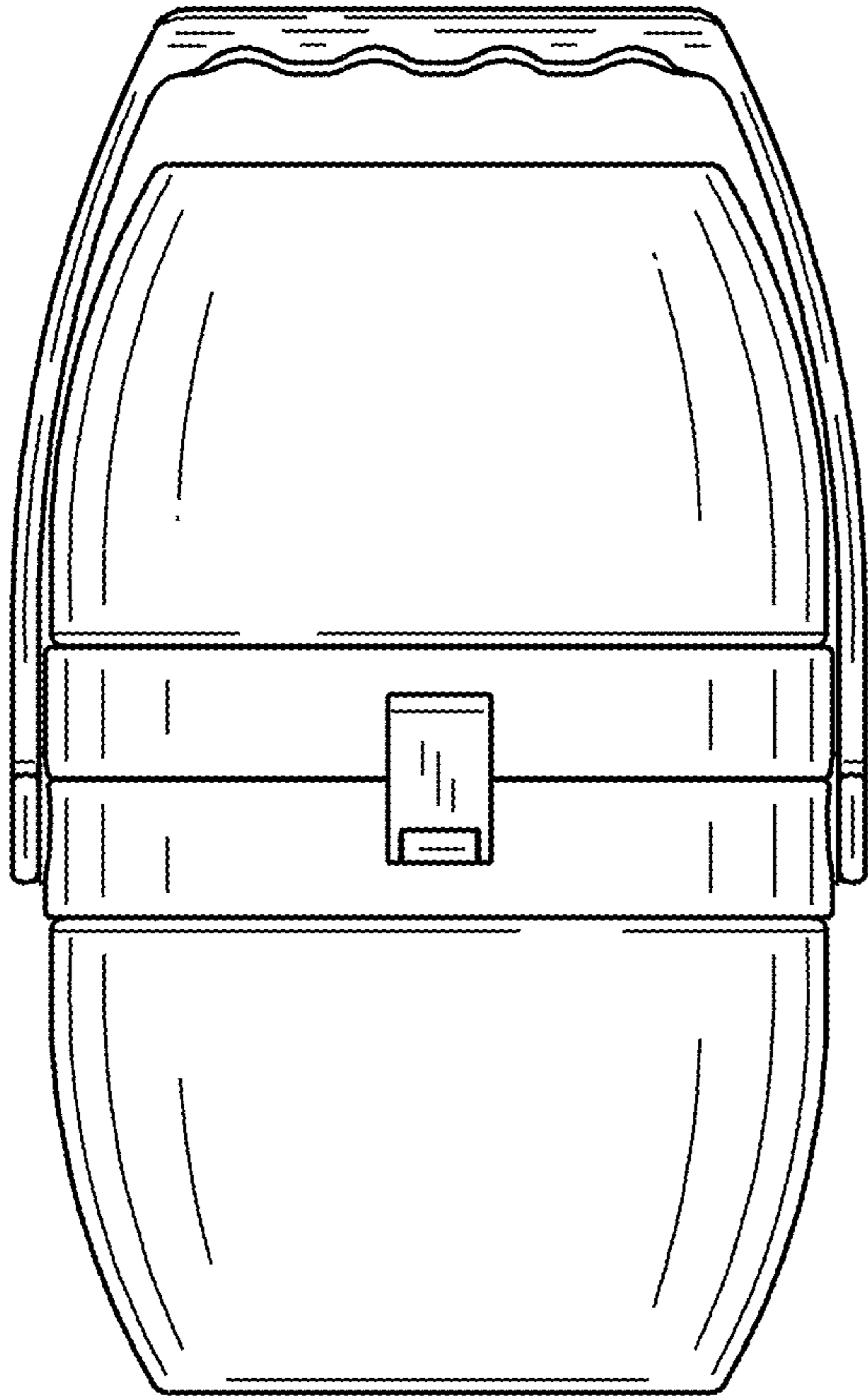


FIG. 2

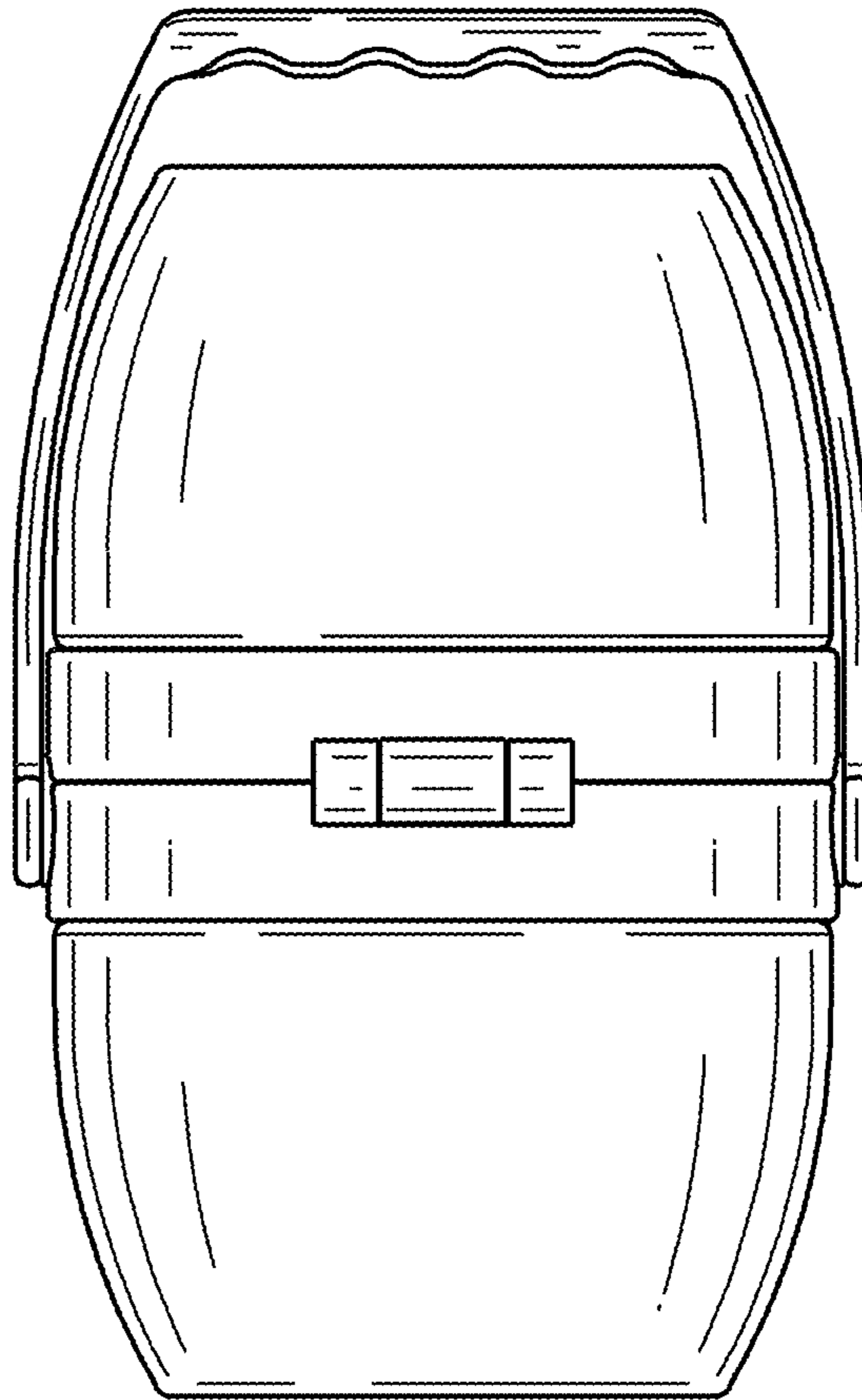


FIG. 3

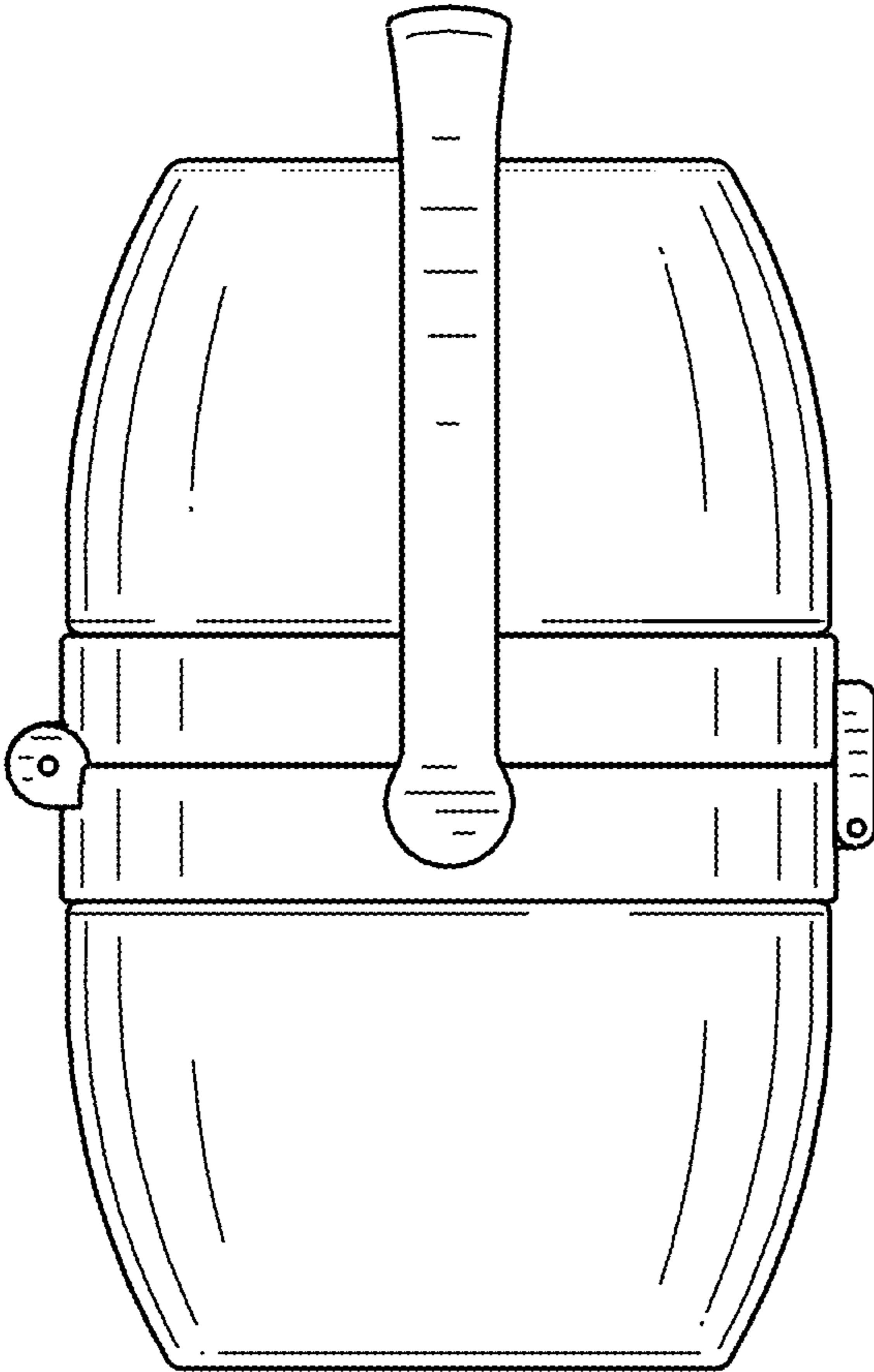


FIG. 4

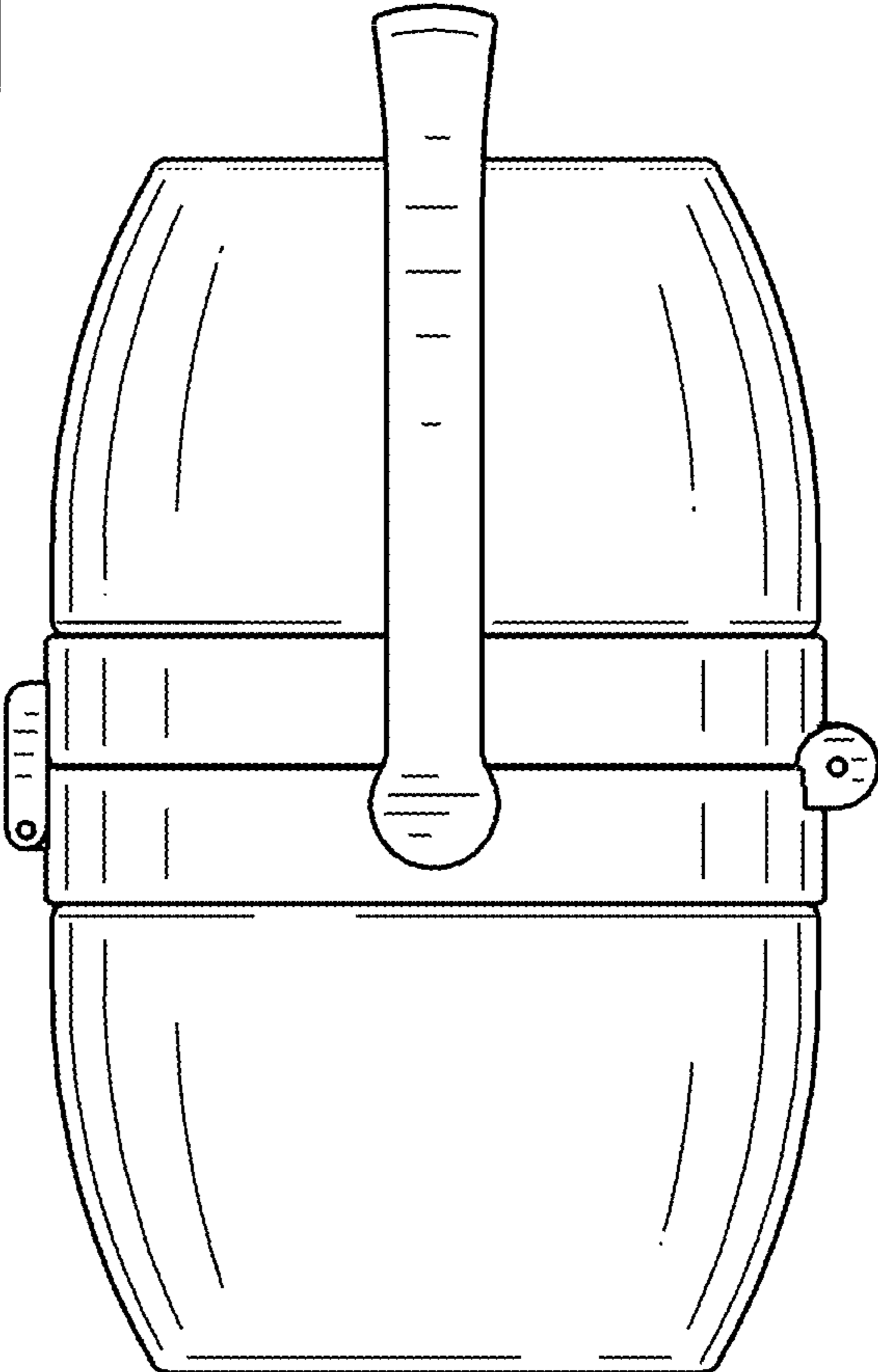


FIG. 5

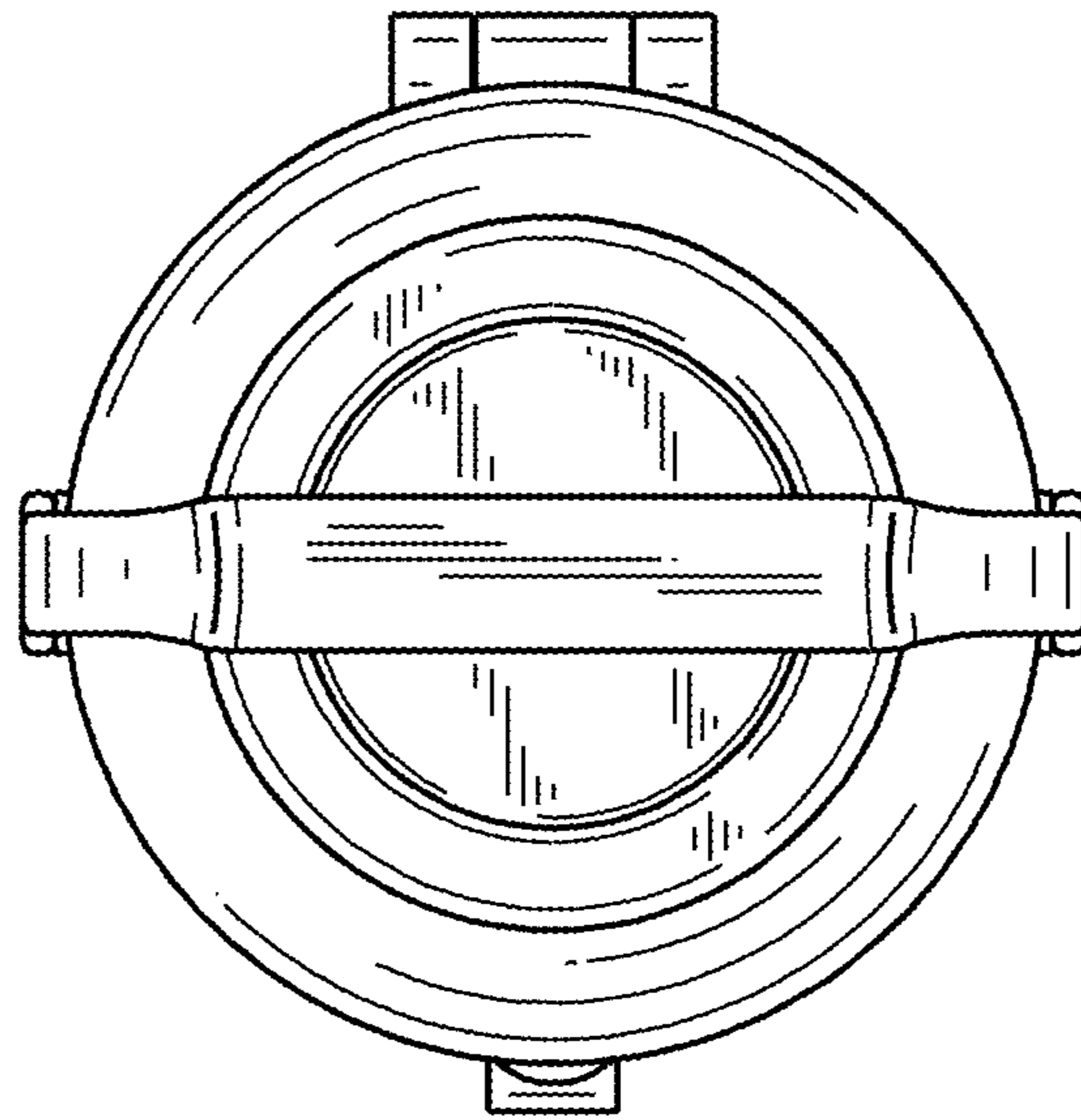


FIG. 6

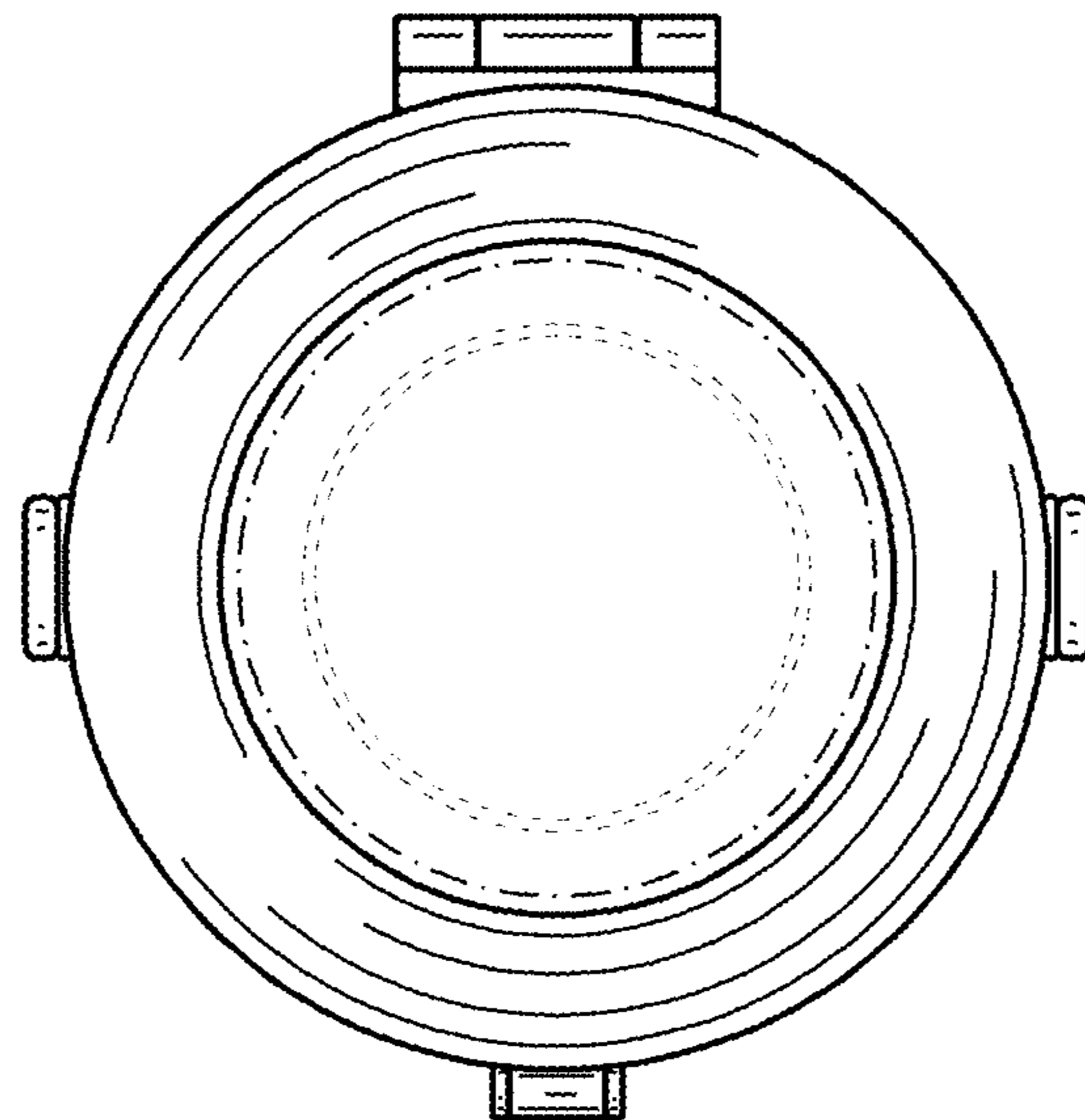


FIG. 7

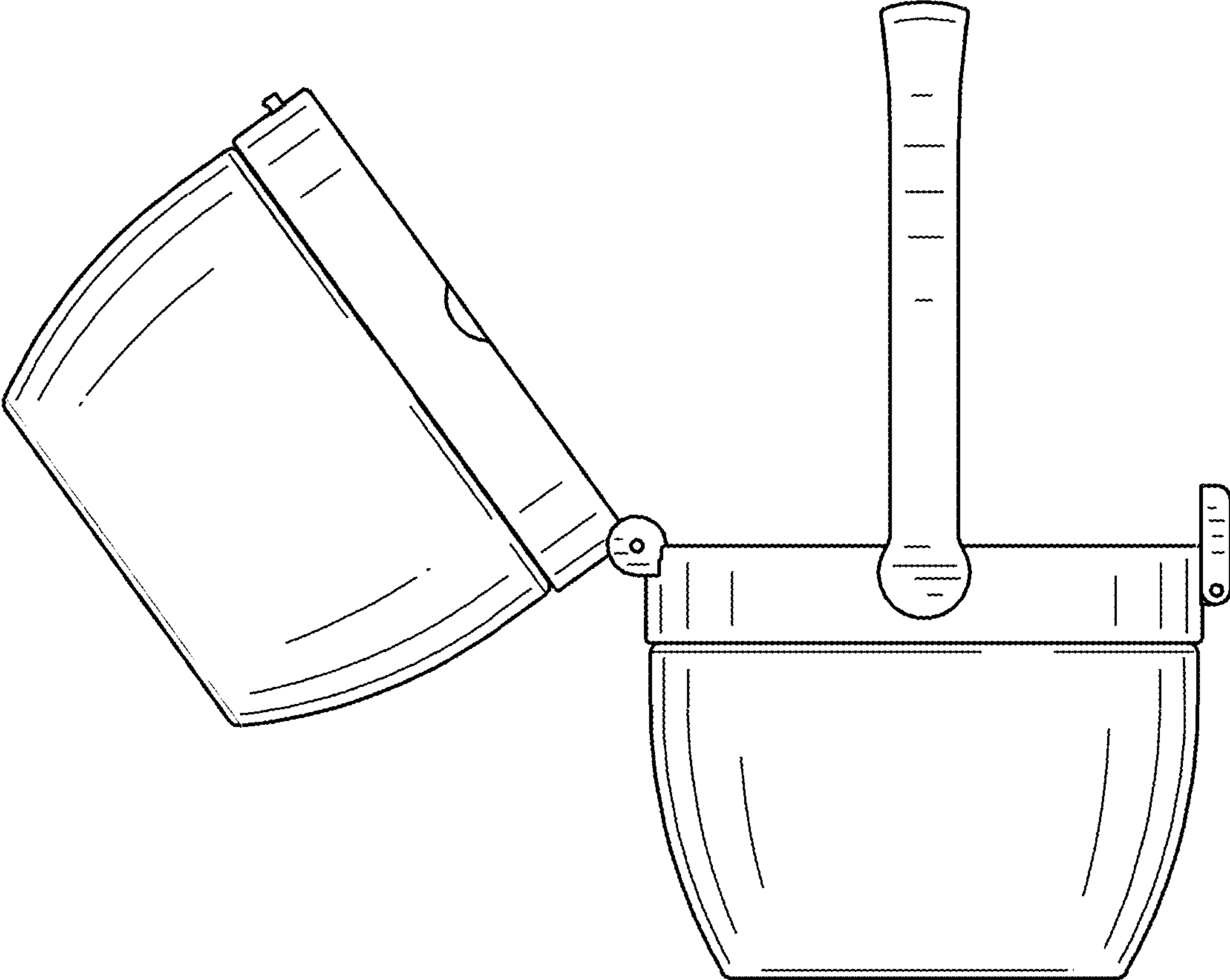


FIG. 8

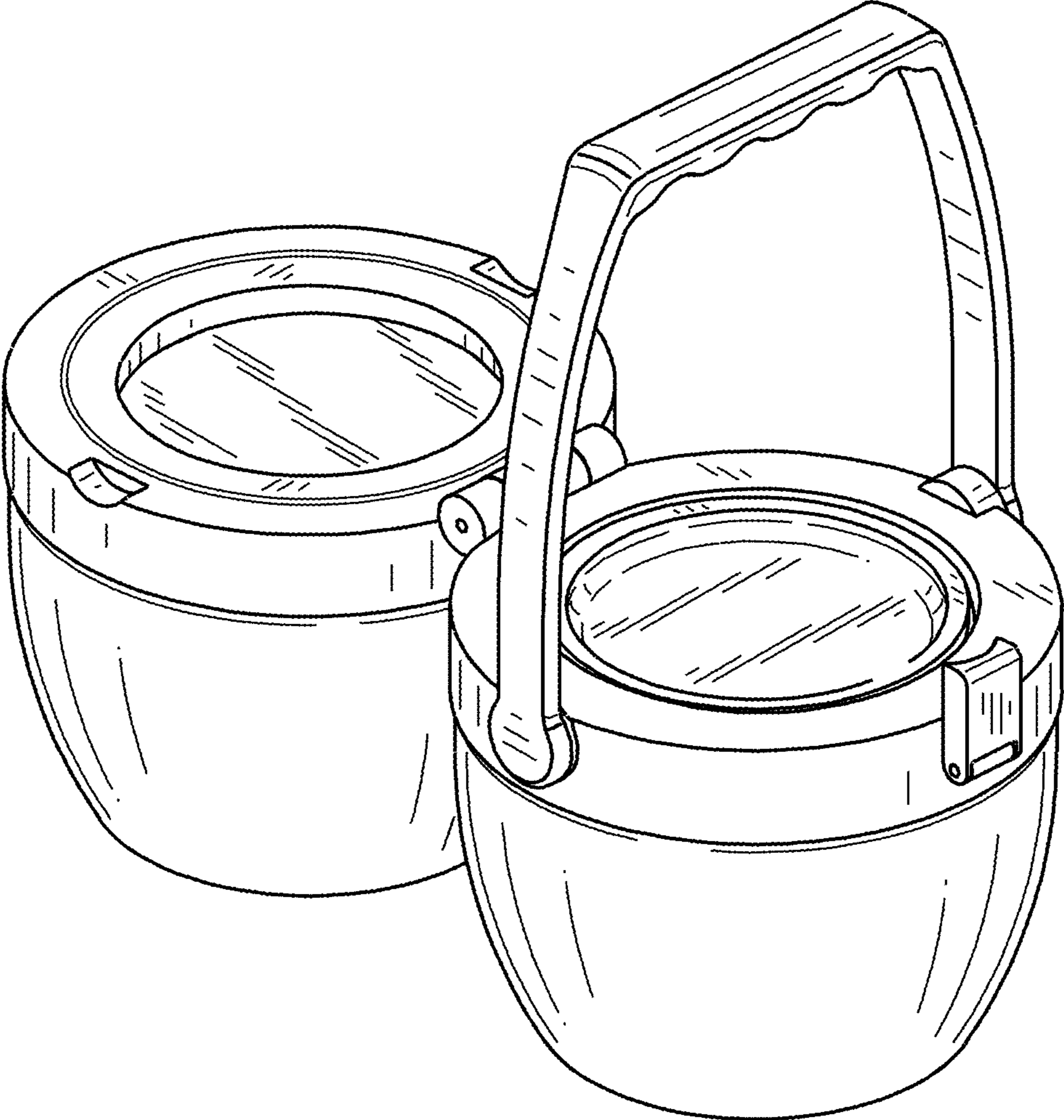


FIG. 9

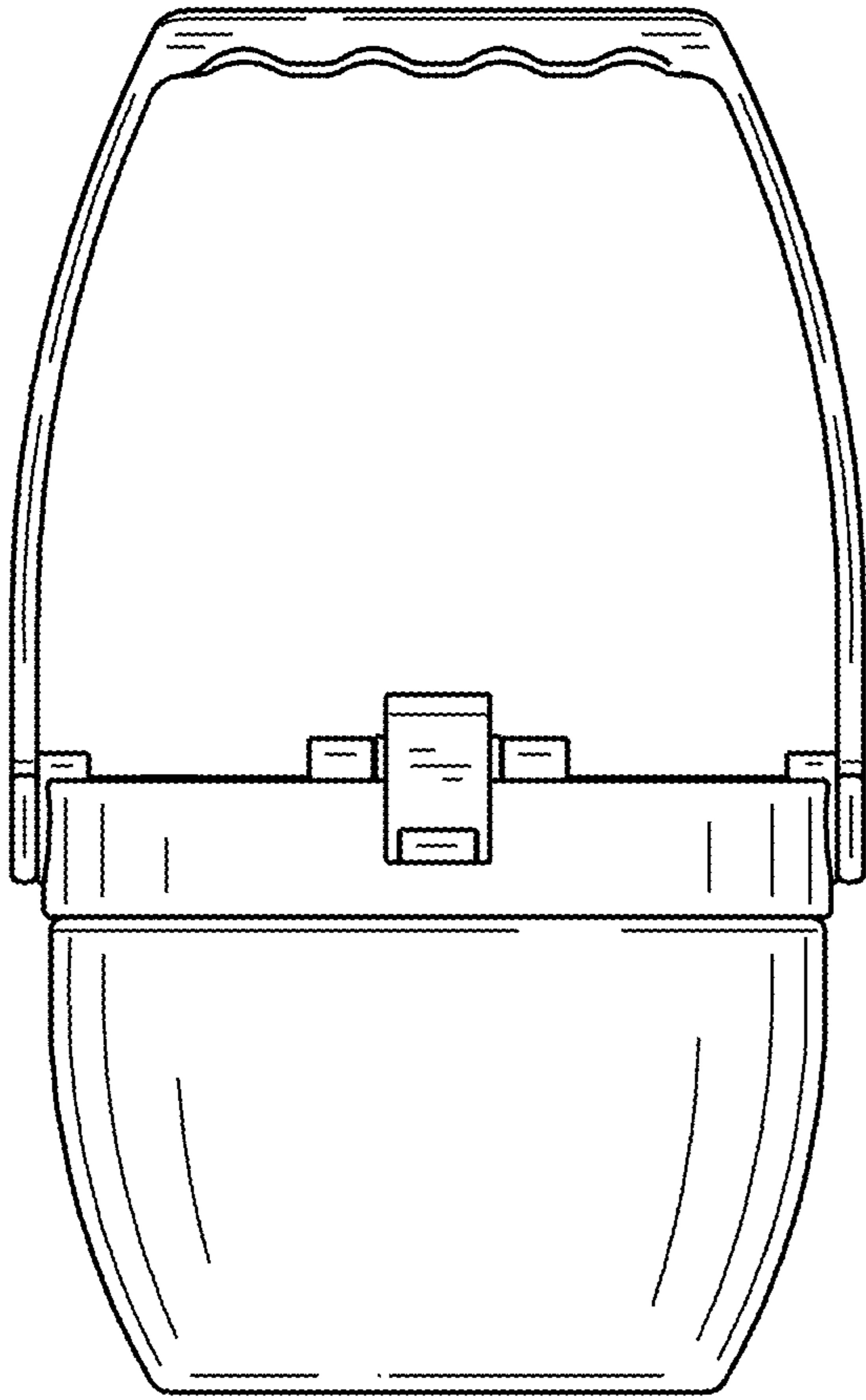


FIG. 10

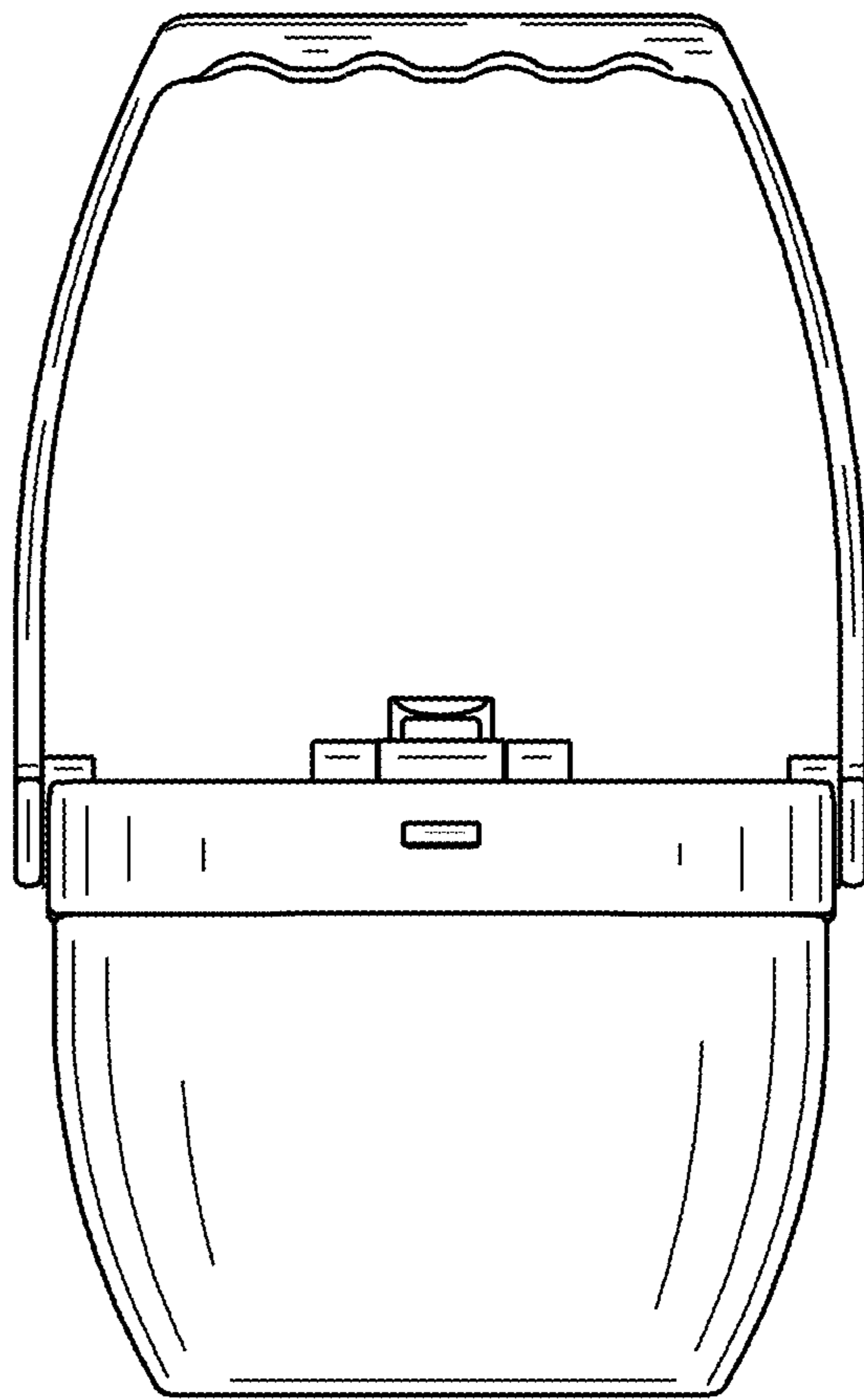


FIG. 11

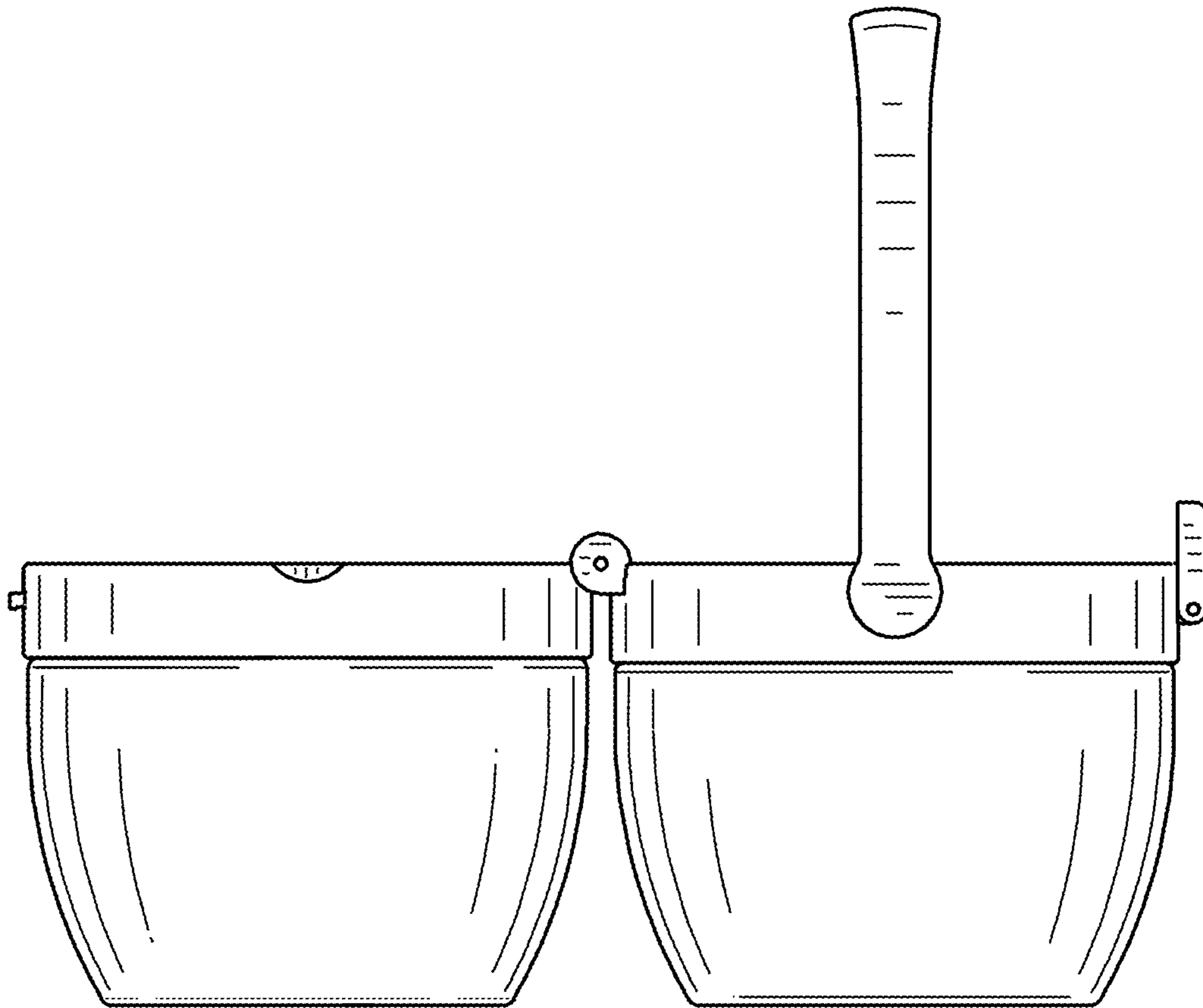


FIG. 12

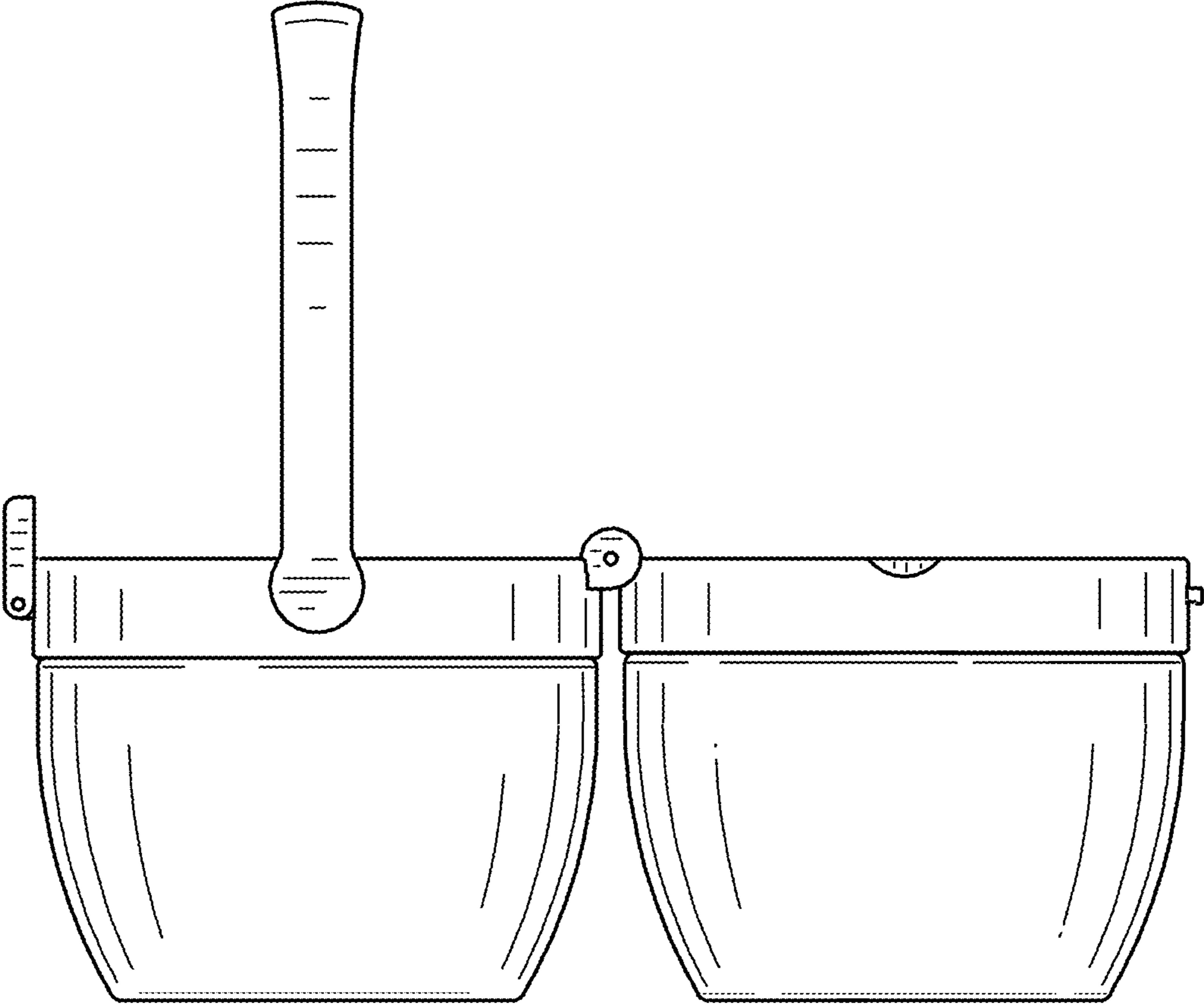


FIG. 13

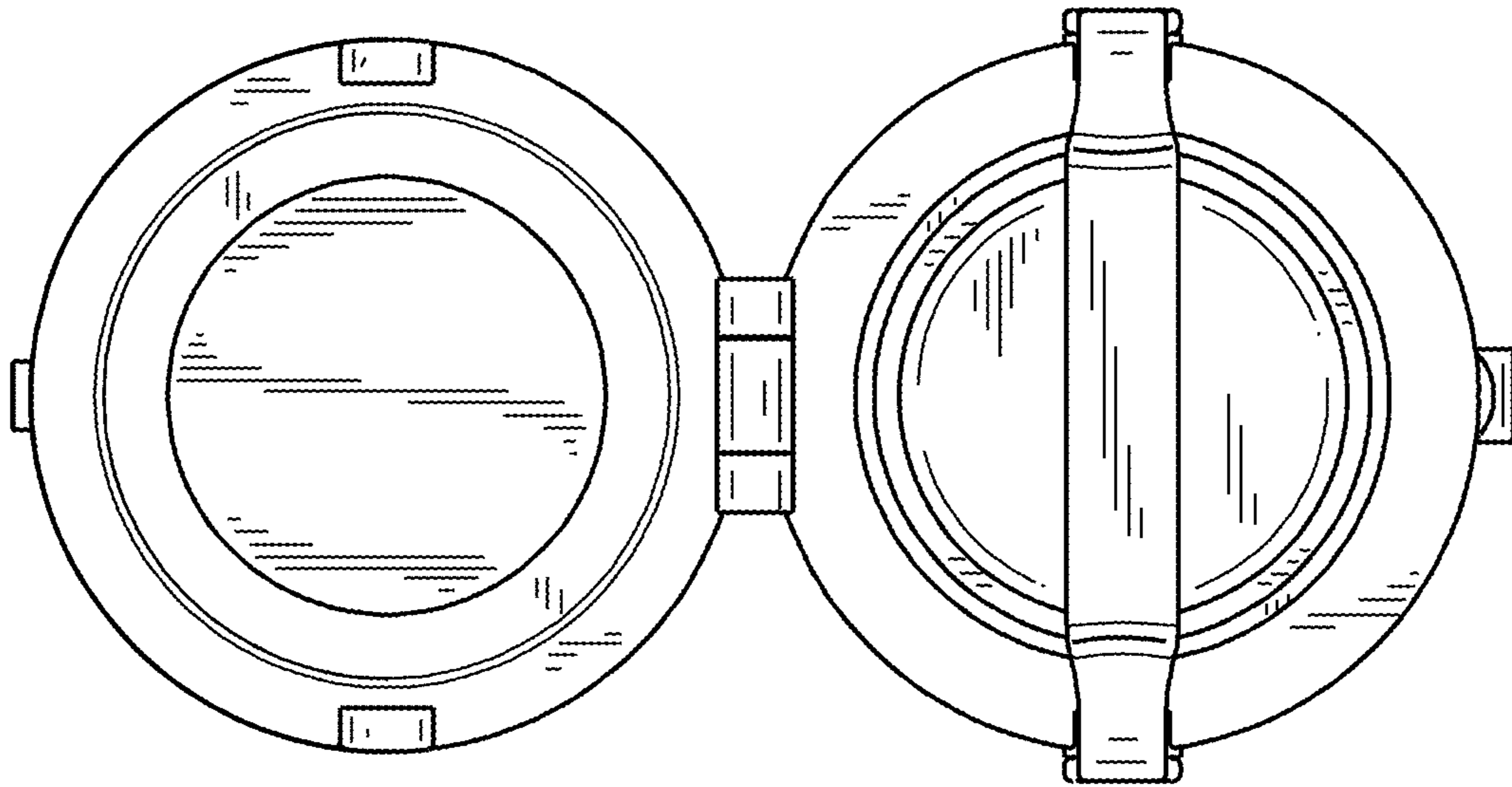


FIG. 14

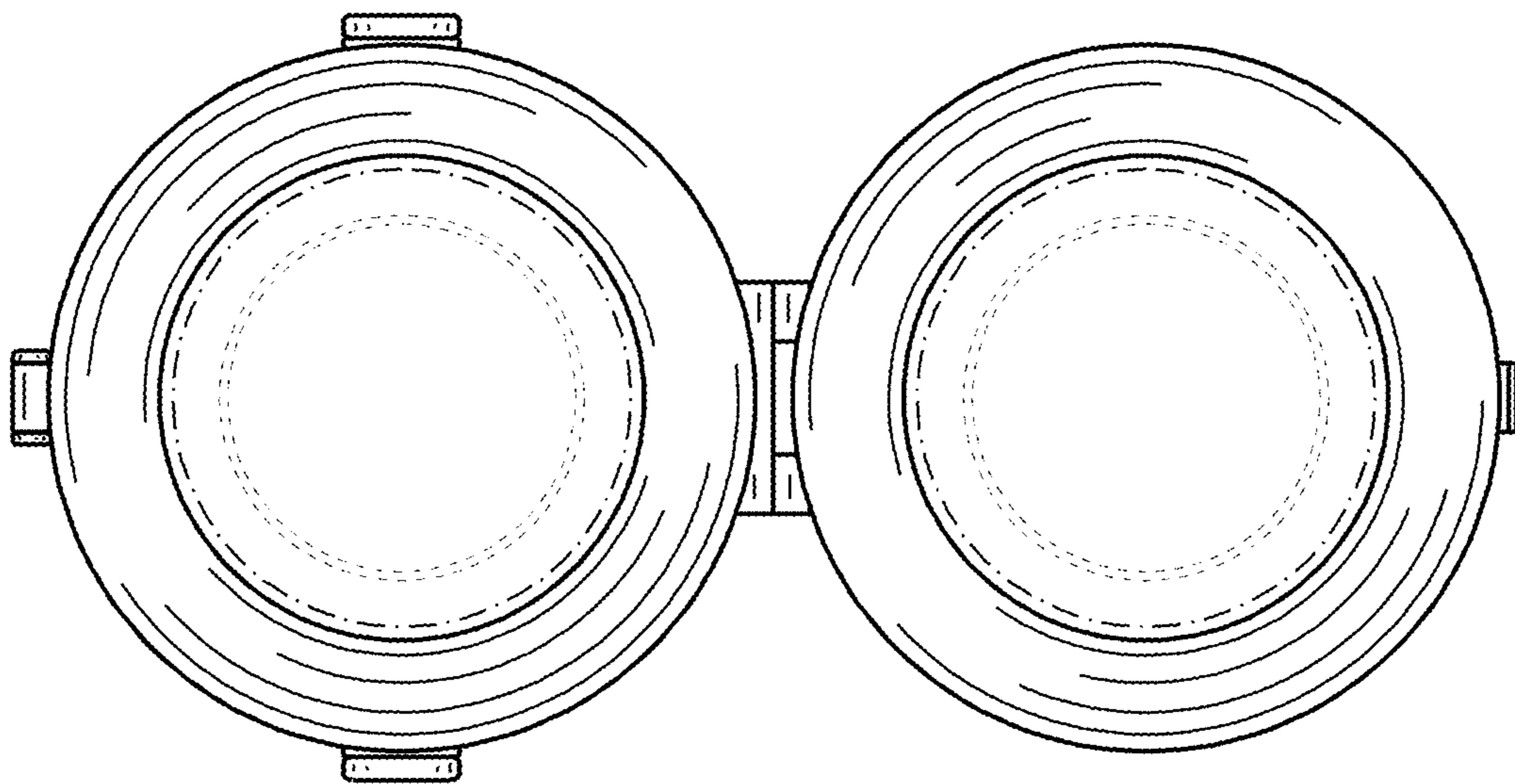


FIG. 15

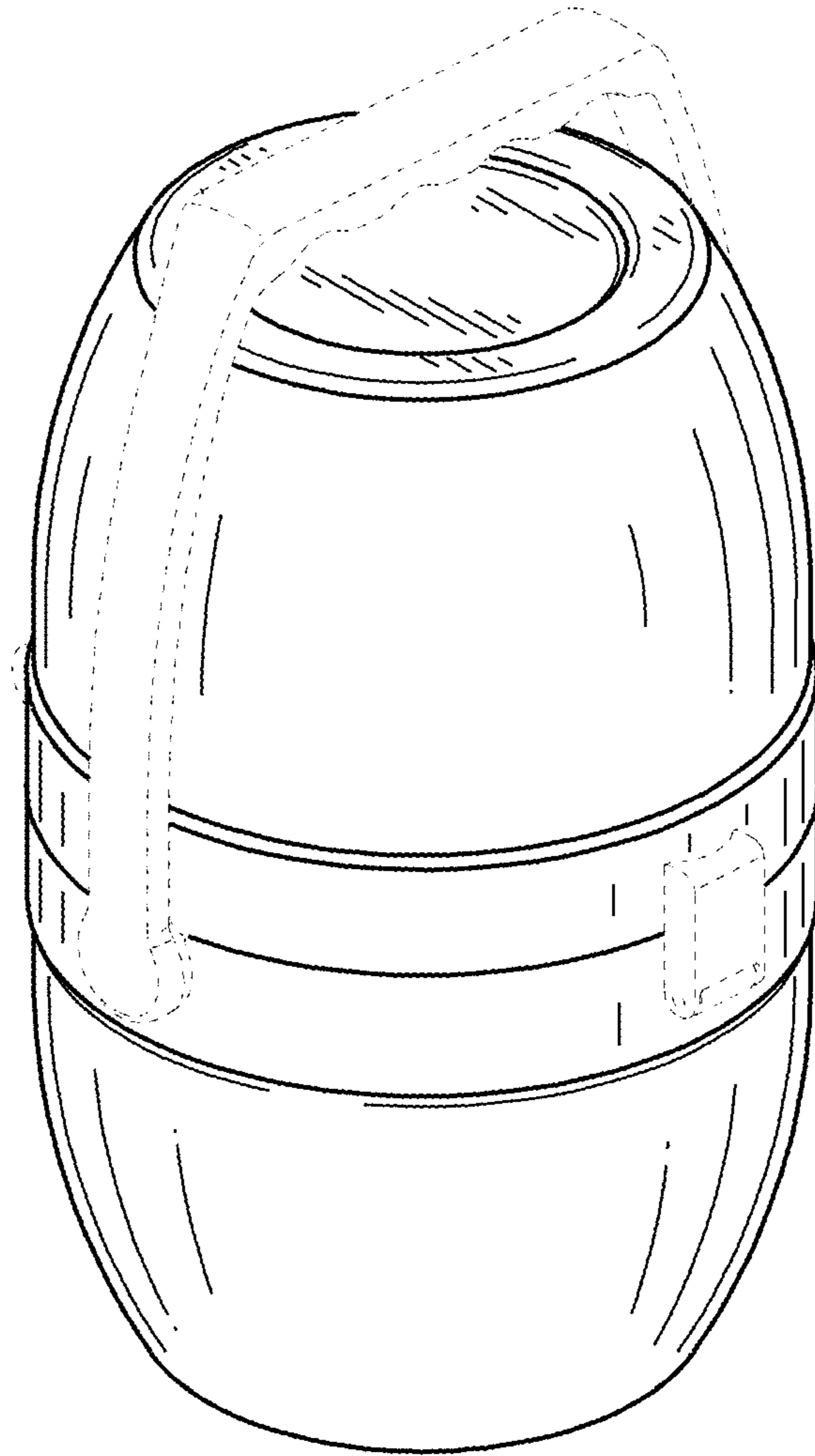


FIG. 16

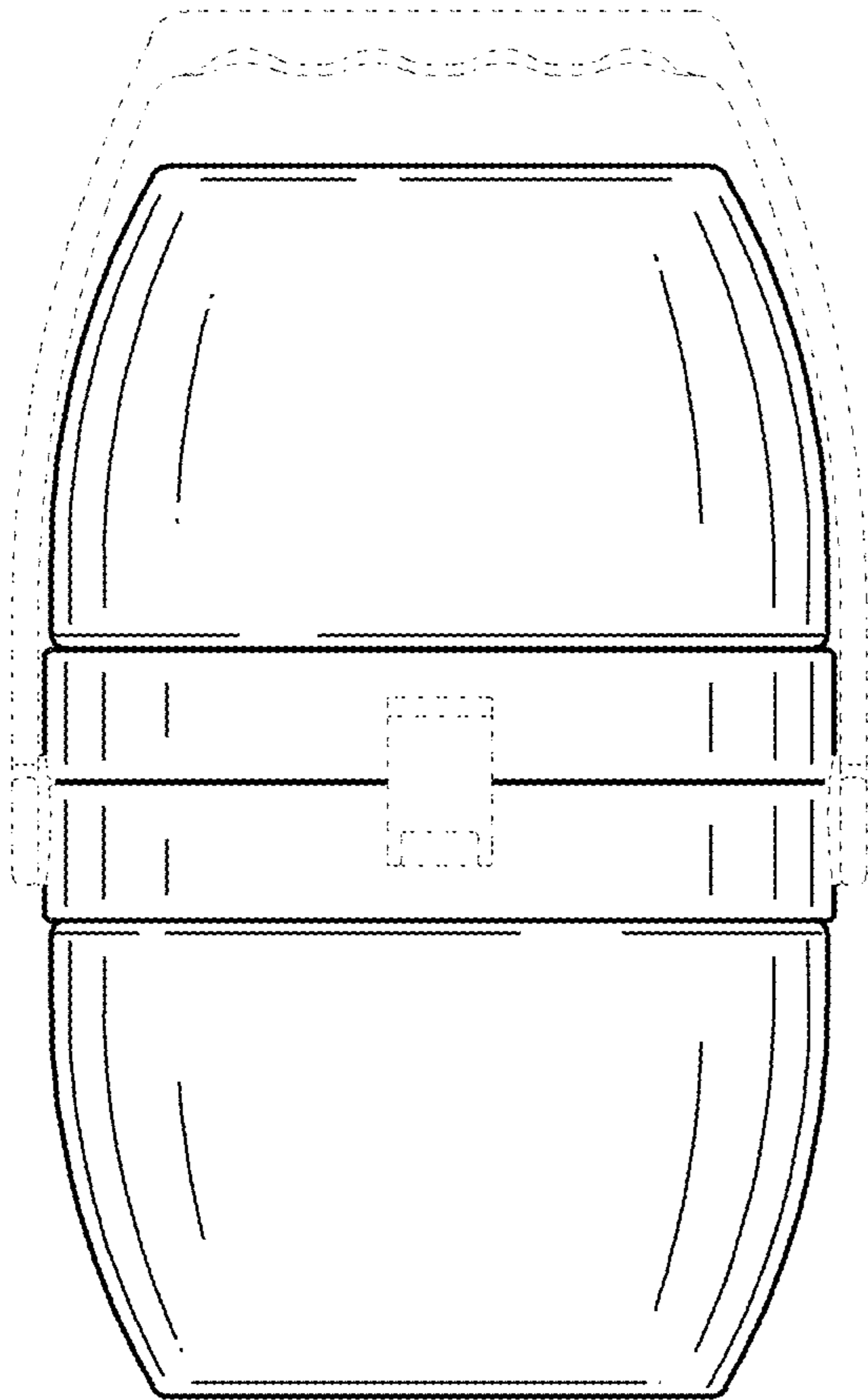


FIG. 17

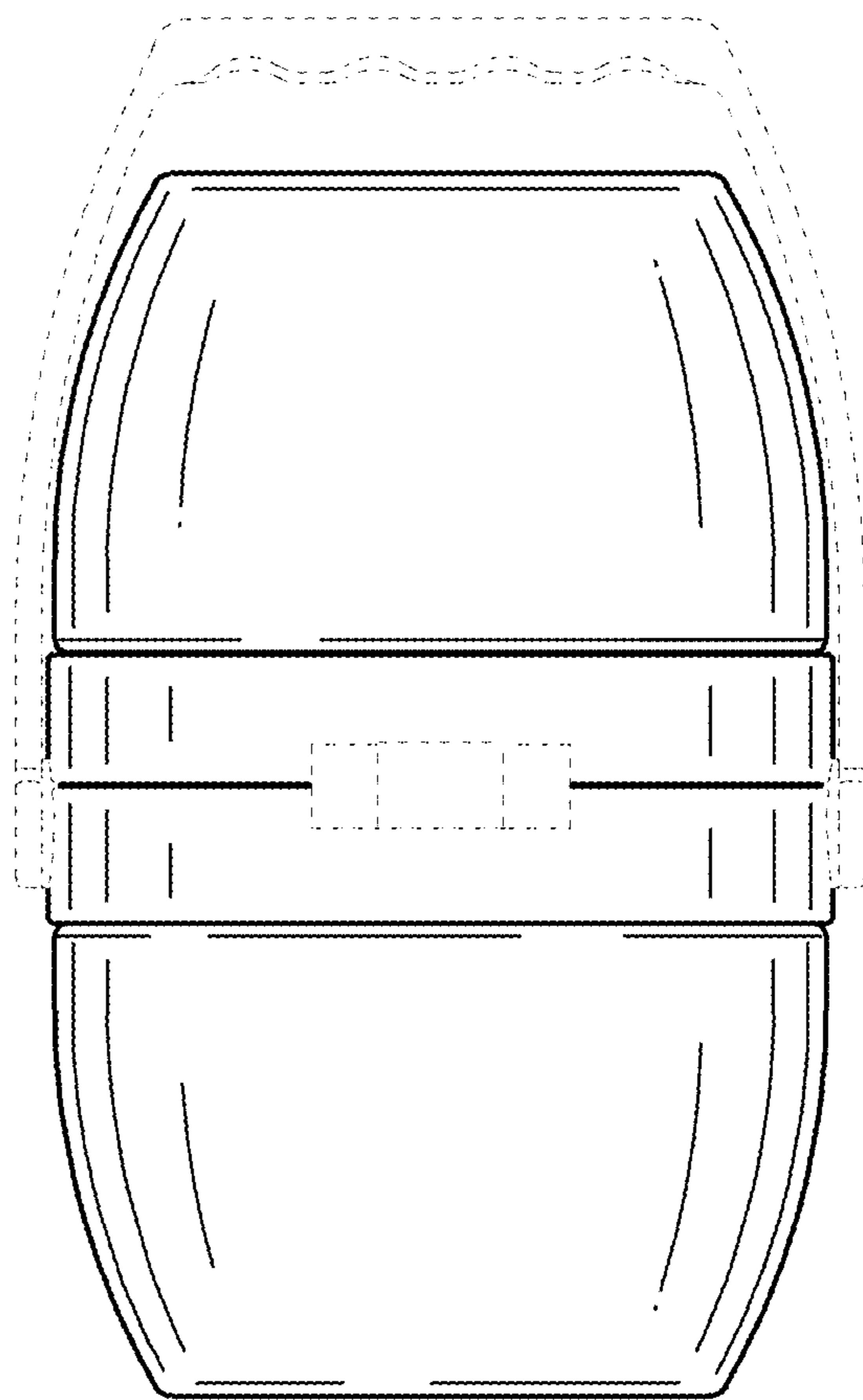


FIG. 18

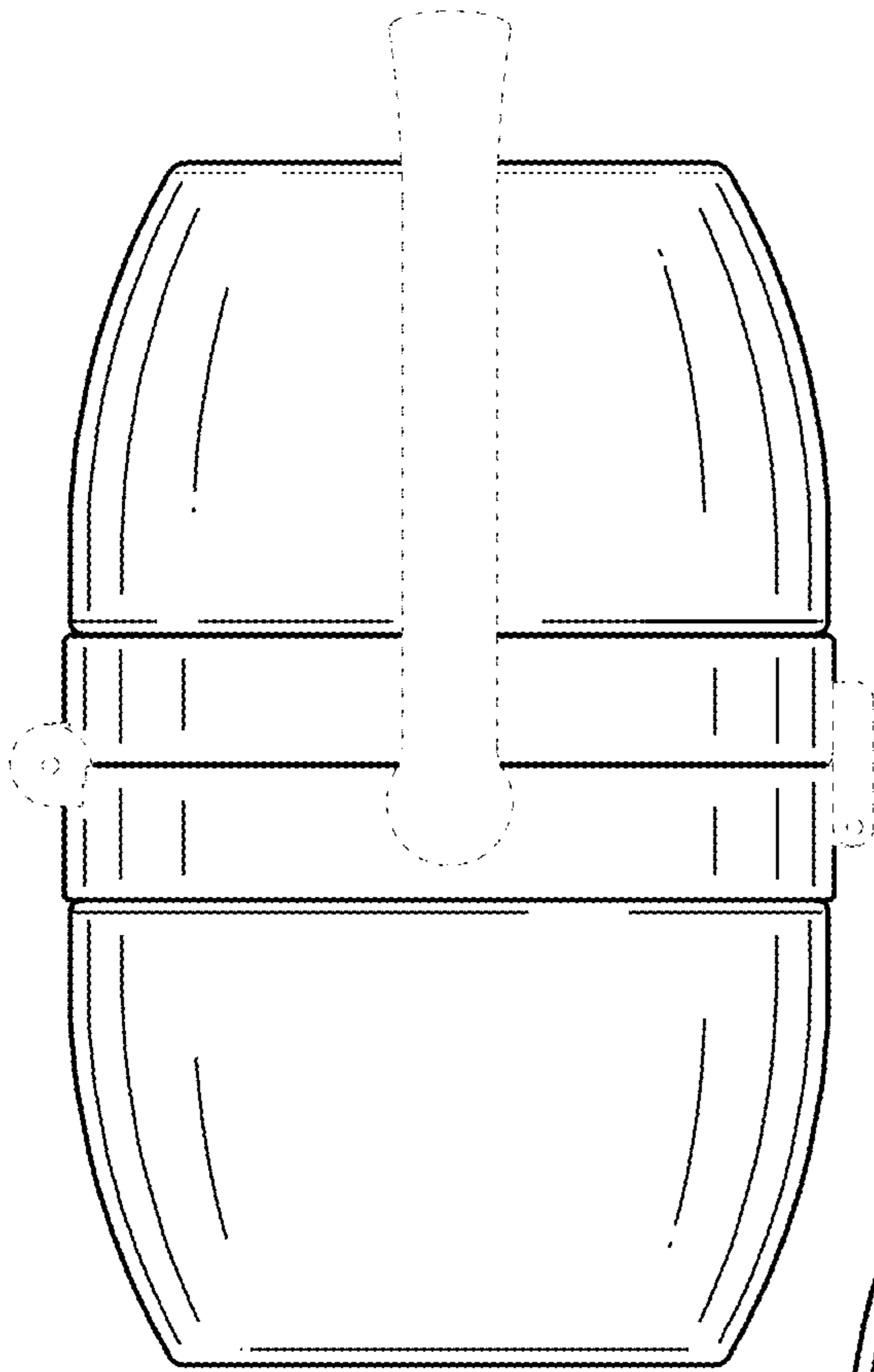


FIG. 19

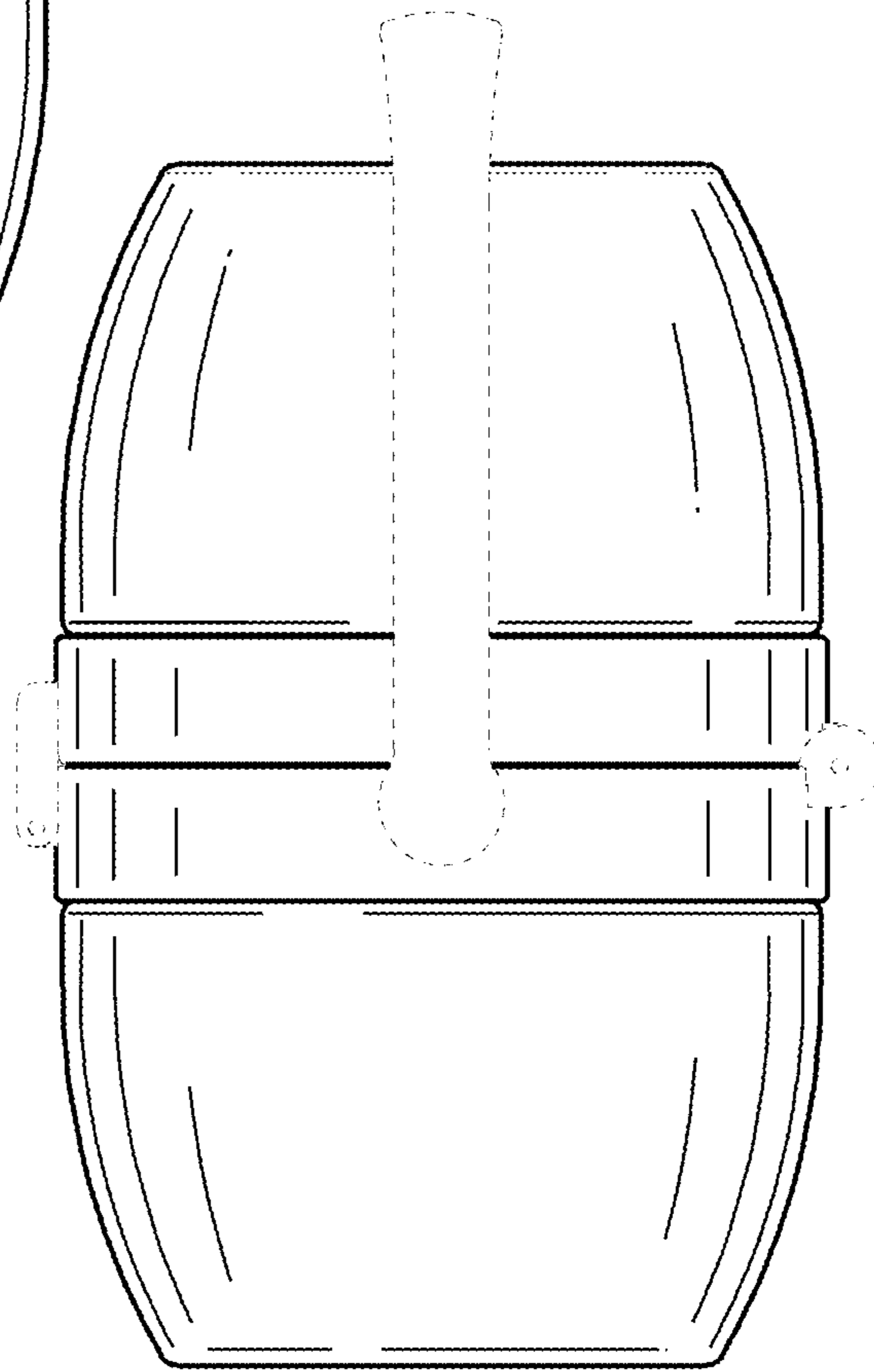


FIG. 20

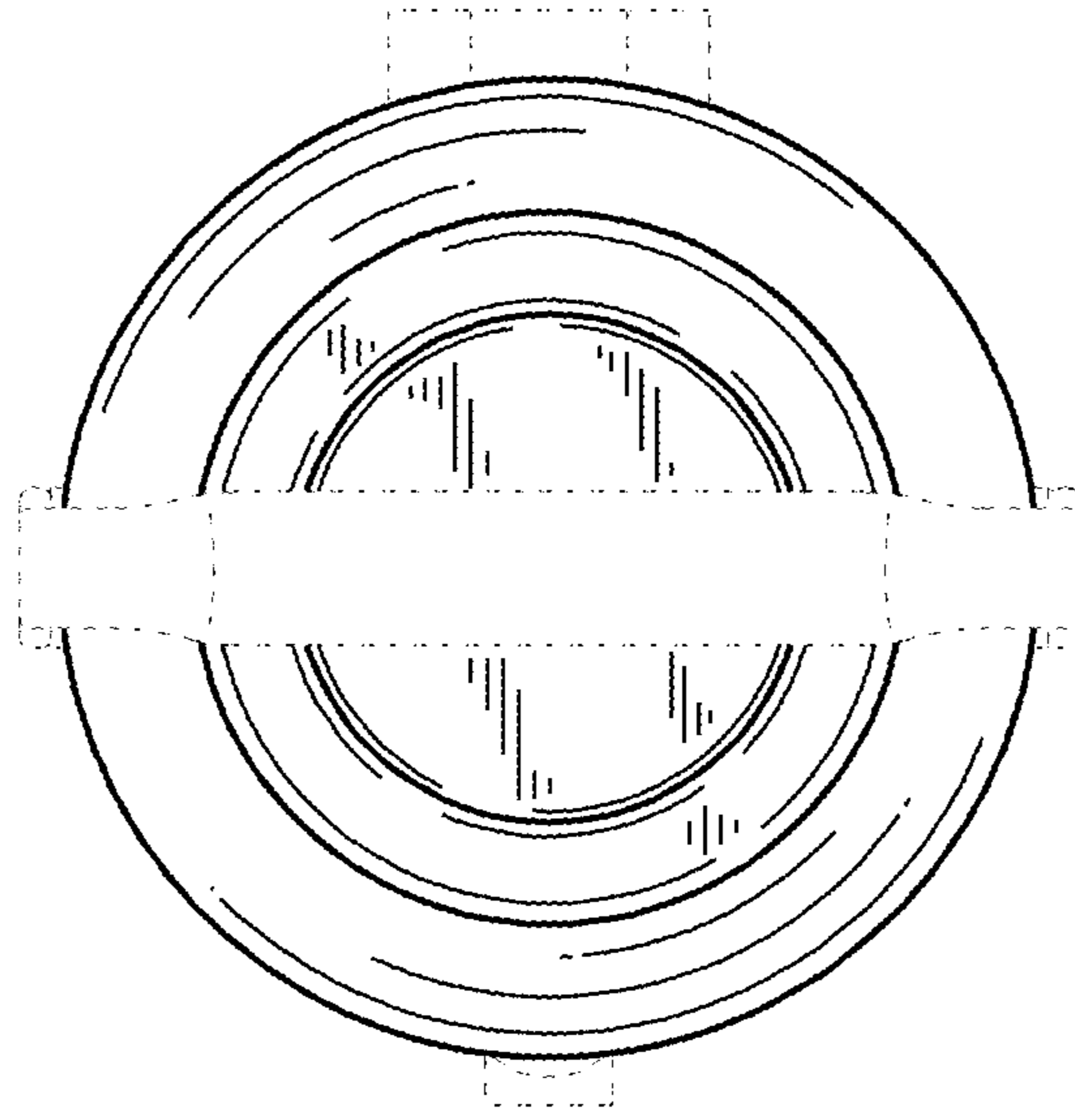


FIG. 21

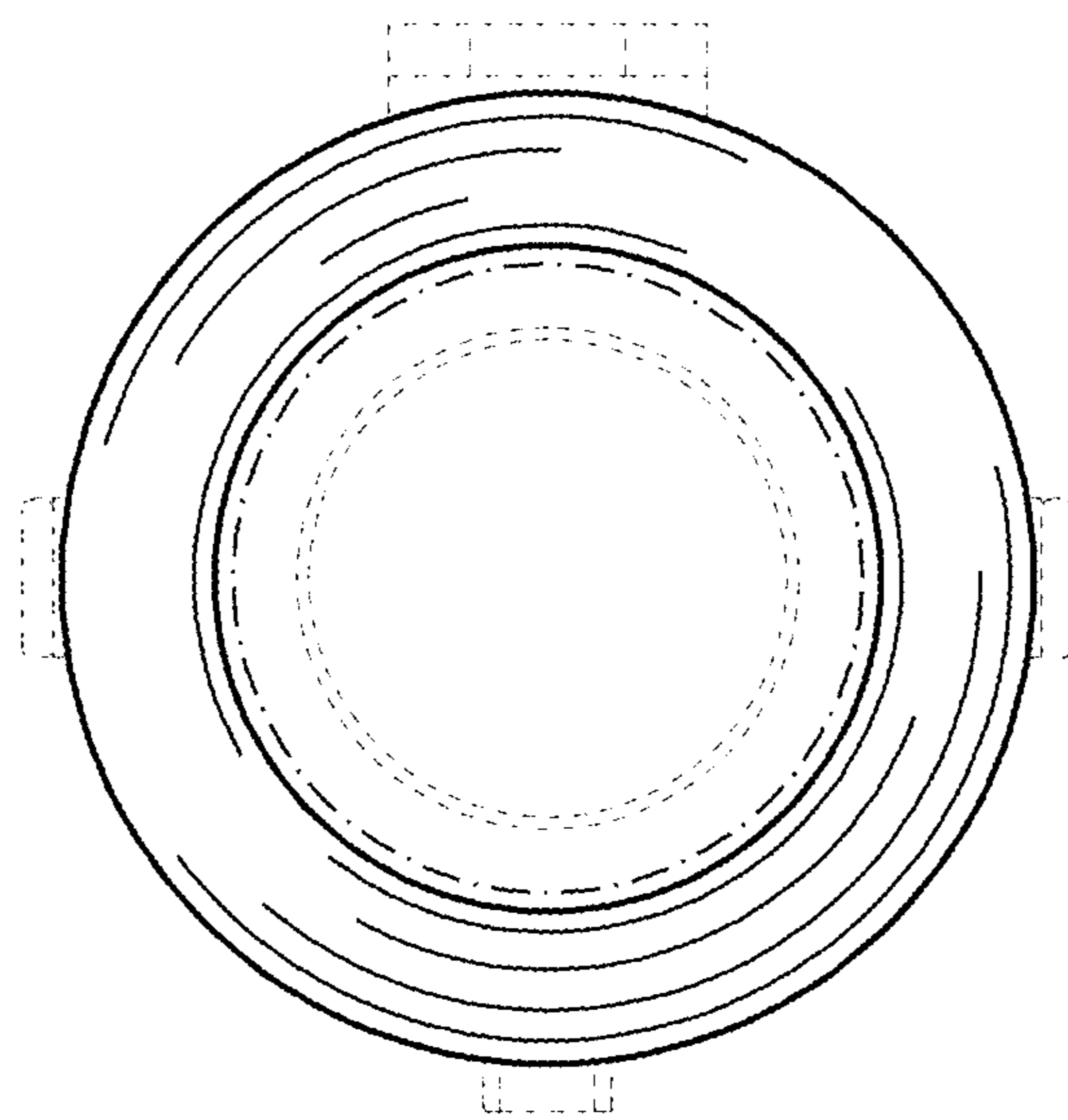


FIG. 22